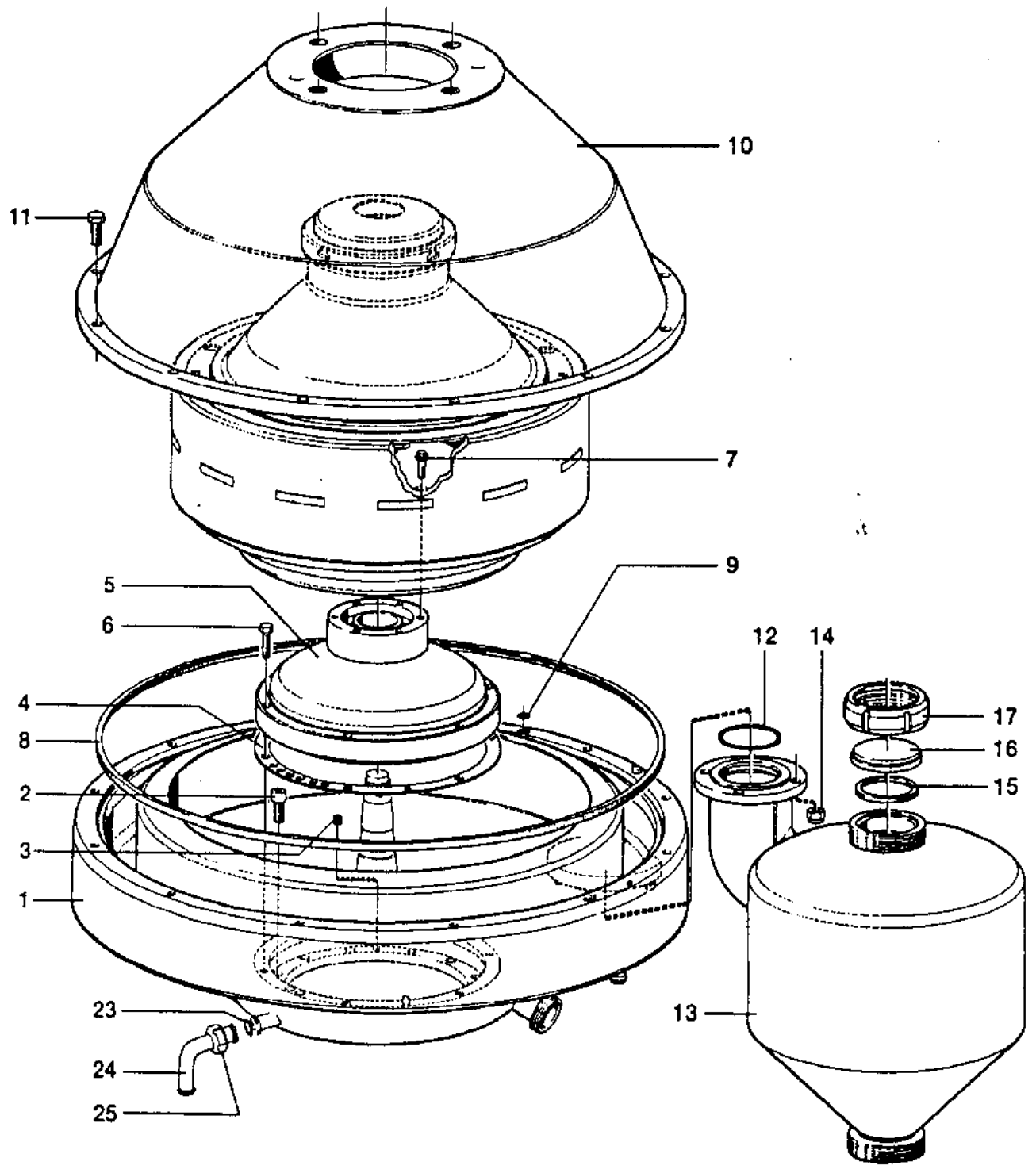


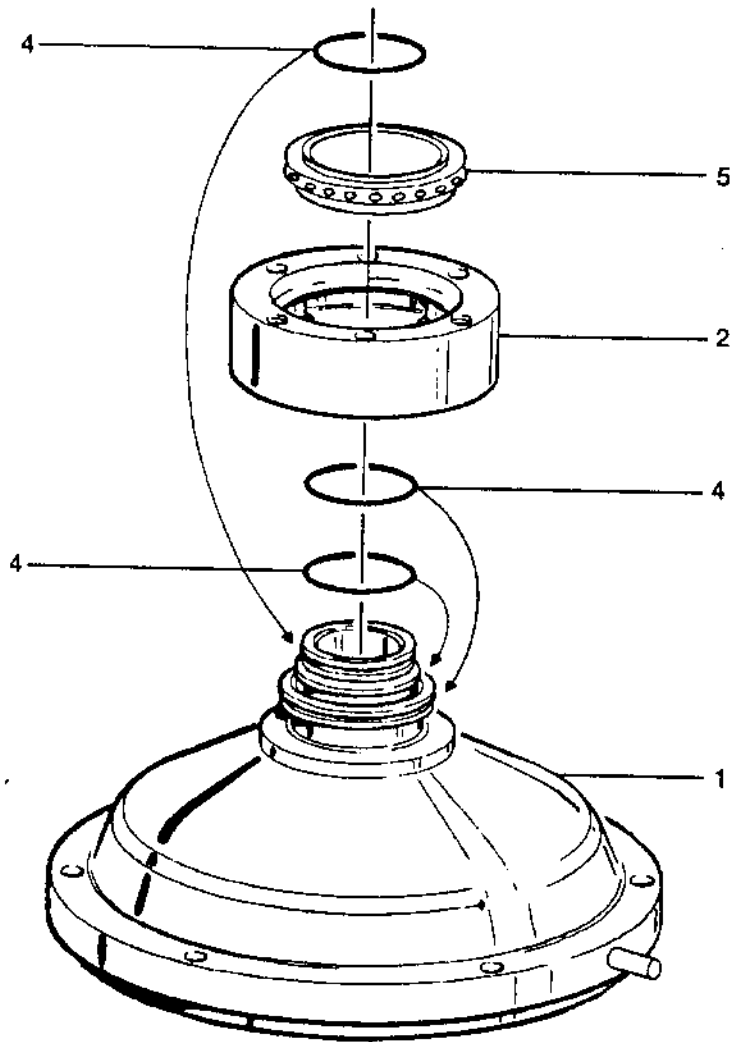
Hutchison-Hayes Separators, Inc.

Model W/HMRPX-718 HGV Parts List With Diagrams

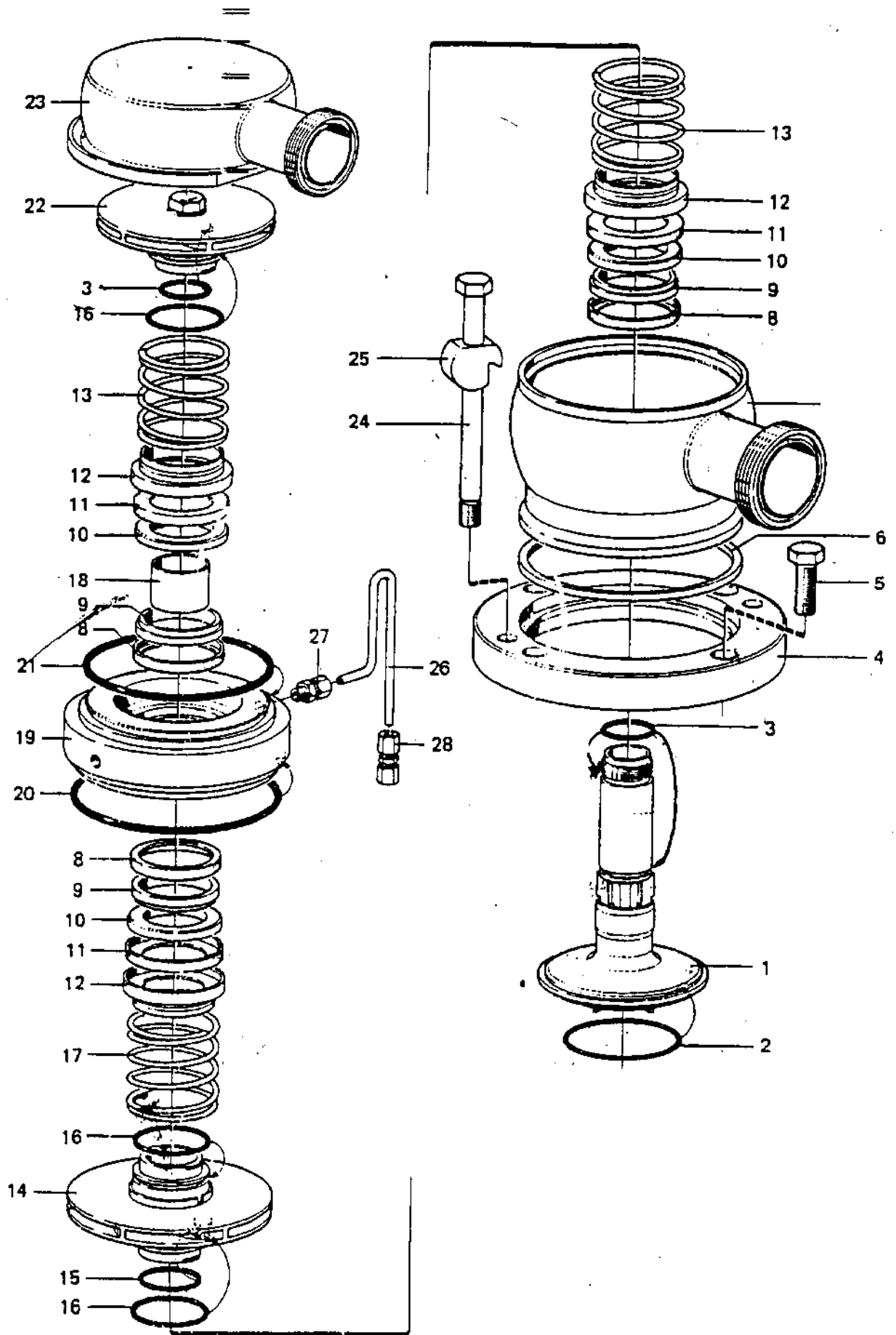
P.O. Box 2965 ♦ Houston, Texas 77252
3520 East Belt ♦ Houston, Texas 77015
(713) 455-9600 ♦ Fax (713) 455-7753



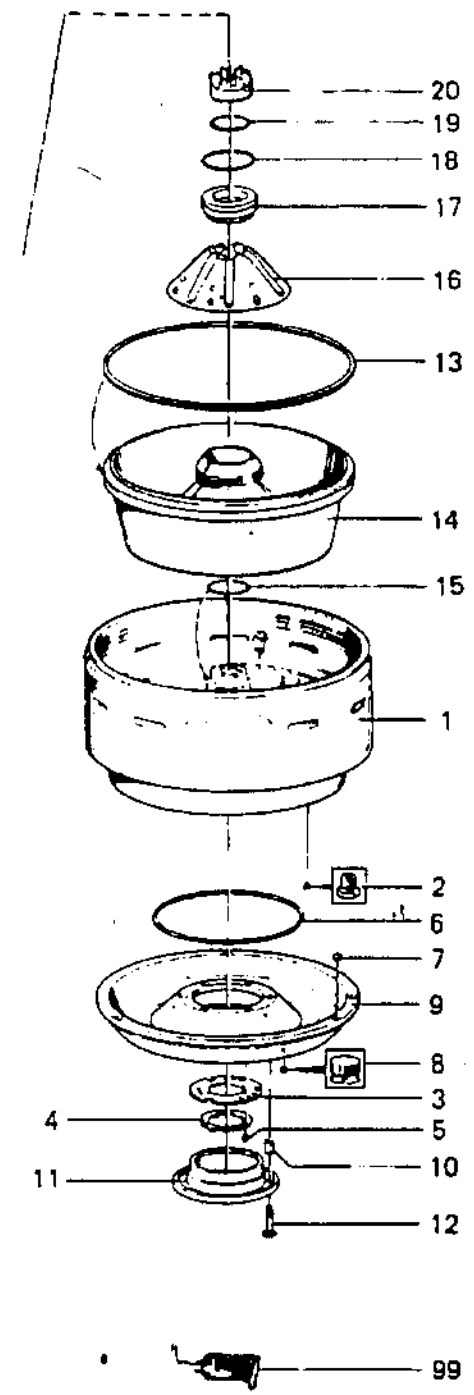
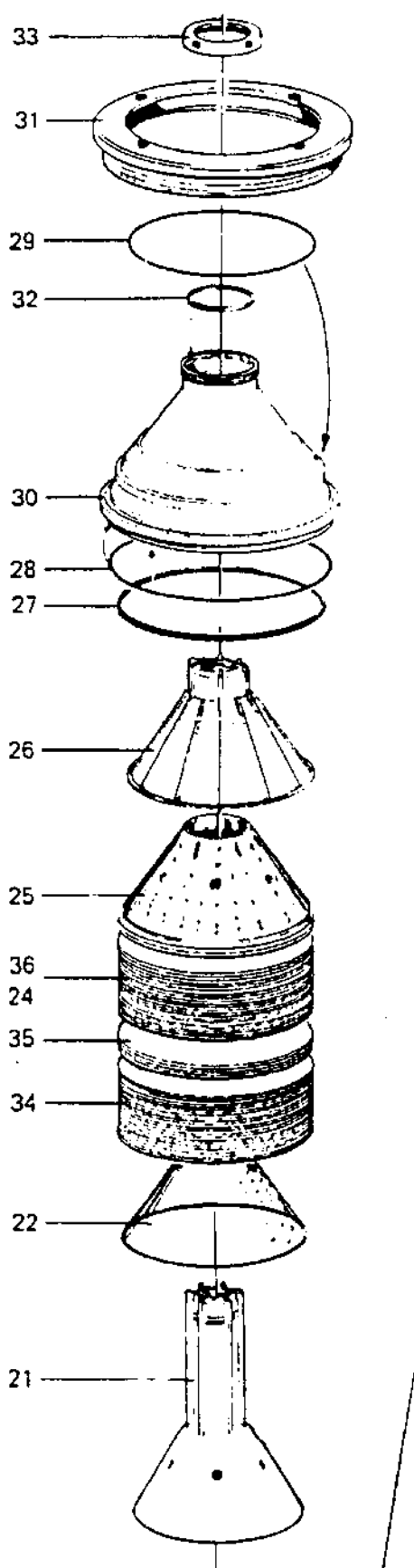
| Reference | Hutchison-Hayes Part No. | OEM Part No. | Description | Quantity | Notes |
|-----------|--------------------------|--------------|-----------------------------|----------|-------|
| 1 | * | 545778-82 | Frame top part | 1 | |
| 2 | 12461 | 221731-08 | Screw | 12 | |
| 3 | 13331 | 260080-36 | Stop Screw | 3 | |
| 4 | 6748 | 539244-02 | Height Adjusting Ring | 5 | |
| 5 | 16989 | 528249-85 | Paring Disc Device | 1 | |
| 6 | 12227 | 221046-04 | Screw | 6 | |
| 7 | 20846 | 545633-01 | Screw | 3 | |
| 8 | 20708 | 545318-01 | Seal Strip | 1 | |
| 9 | 12820 | 223406-25 | O-Ring | 1 | |
| 10 | * | 546540-80 | Frame Hood | 1 | |
| 11 | 12249 | 2 210463-23 | Screw | 12 | |
| 12 | 13643 | 31317-0886-1 | Rectangular Ring | 1 | |
| 13 | 19892 | 542991-03 | Cyclone | 1 | |
| 14 | 12538 | 221891-17 | Lock Nut | 4 | |
| 15 | 13643 | 31317-0886-1 | Rectangular Ring | 1 | |
| 16 | 13625 | 31317-0334-1 | Washer | 1 | |
| 17 | 13640 | 31317-0884-1 | Coupling Nut | 1 | |
| 23 | 8305 | 190601 | Rectangular Ring | 1 | |
| 24 | 12117 | 191603 | Hose Liner | 1 | |
| 25 | 7694 | 190613 | Coupling Nut | 1 | |



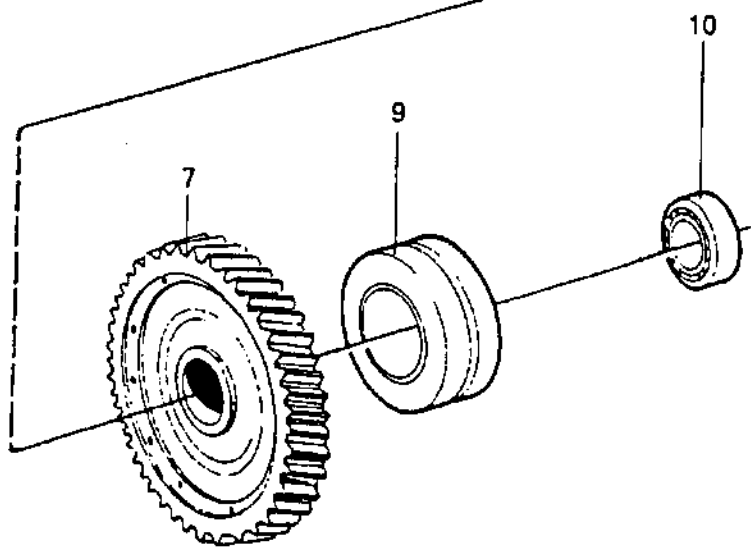
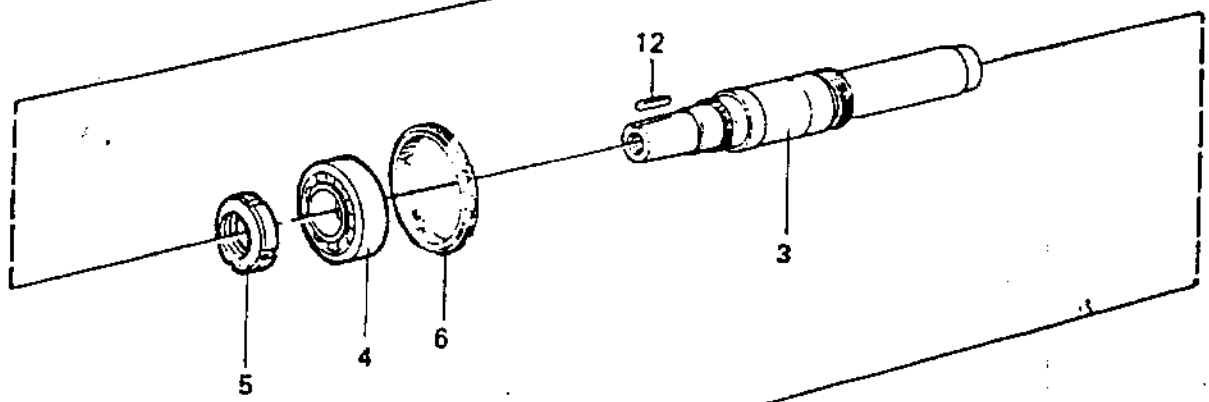
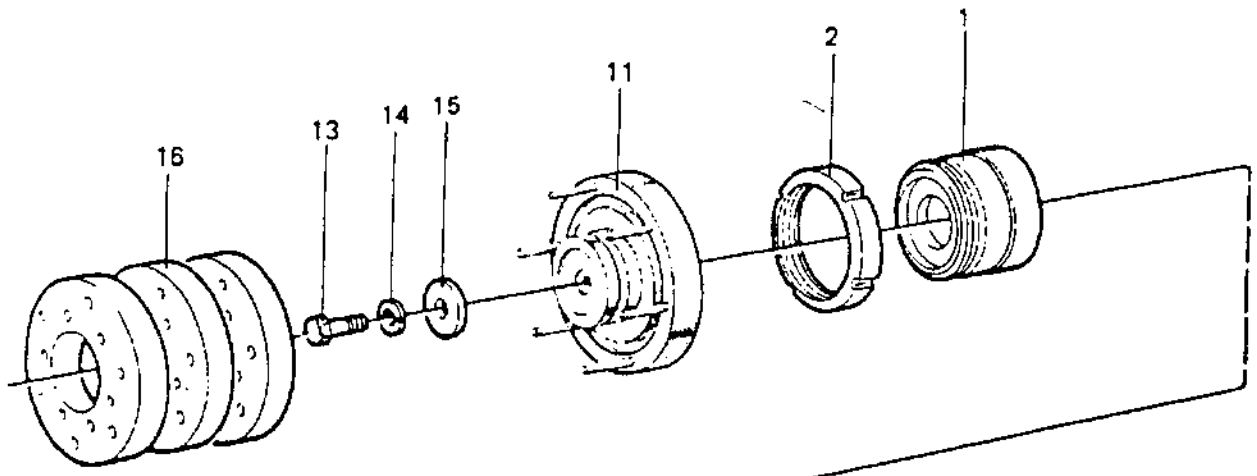
| Reference | Hutchison-Hayes Part No. | OEM Part No. | Description | Quantity | Notes |
|-----------|--------------------------|--------------|---------------------------|----------|-------|
| 1 | 18804 | 539242-81 | Distributing Cover | 1 | |
| 2 | 16904 | 528094-83 | Distributing Ring | 1 | |
| 4 | 8180 | 74634 | O-Ring | 3 | |
| 5 | 20369 | 544326-01 | Control Paring Disc | 1 | |



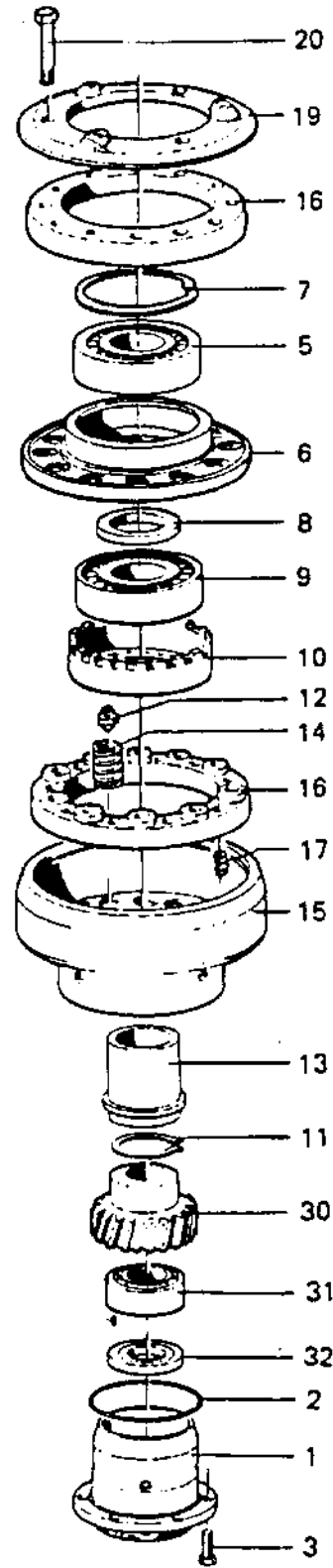
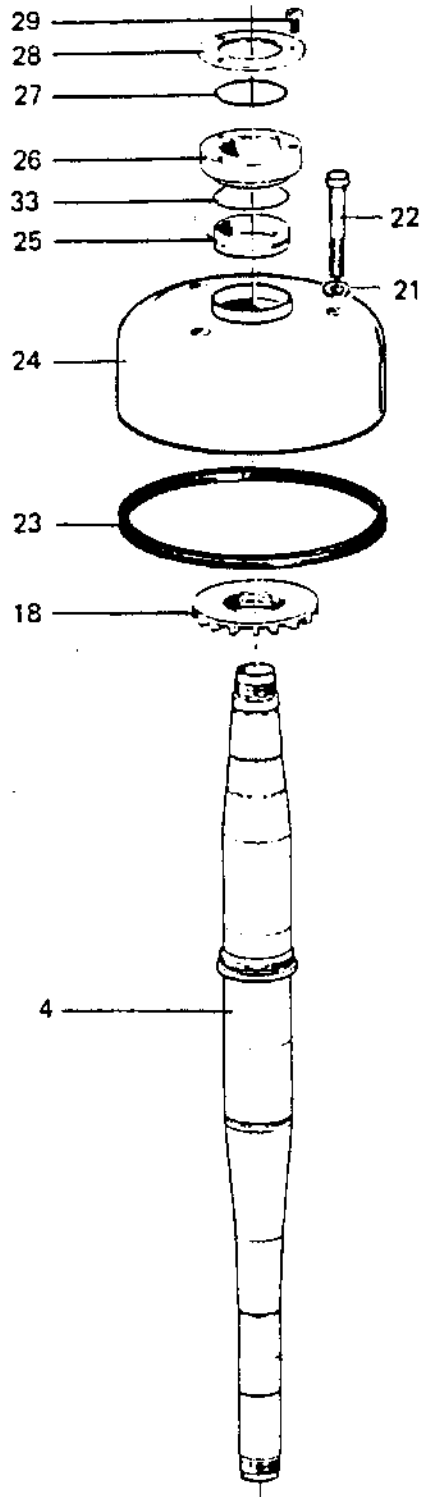
| Reference | Hutchison-Hayes Part No. | OEM Part No. | Description | Quantity | Notes |
|-----------|--------------------------|--------------|---------------------------------|----------|----------|
| 1 | 21183 | 546187-02 | Outlet Pipe | 1 | |
| 2 | 12853 | 223406-68 | O-Ring | 1 | |
| 3 | 12844 | 223406-54 | O-Ring | 1 | |
| 4 | 21181 | 546186-01 | Centering Ring | 1 | |
| 5 | 12249 | 2 210463-23 | Screw | 4 | |
| 6 | 17979 | 535784-01 | Height Adjusting Ring 4mm | 1 | H = 4 mm |
| 6 | 17980 | 535784-02 | Height Adjusting Ring 5mm | 1 | H = 5 mm |
| 6 | 17981 | 535784-03 | Height Adjusting Ring 6mm | 1 | H = 6 mm |
| 6 | 17982 | 535784-04 | Height Adjustng Ring 7mm | 1 | H = 7 mm |
| 6 | 17983 | 535784-05 | Height Adjusting Ring 8mm | 1 | H = 8 mm |
| 7 | 21175 | 546182-80 | Discharge Housing Lower | 1 | |
| 8 | 19368 | 540829-06 | Gasket | 3 | |
| 9 | 19611 | 541648-05 | Seal Ring | 3 | |
| 10 | 19613 | 541649-04 | Wear Ring | 3 | |
| 11 | 19367 | 540829-05 | Gasket | 3 | |
| 12 | 19614 | 541650-01 | Holder for Wear Ring | 3 | |
| 13 | 13343 | 260083-48 | Compression Spring | 2 | |
| 14 | 21177 | 546184-02 | Impeller Lower | 1 | |
| 15 | 12848 | 223406-60 | O-Ring | 1 | |
| 16 | 13403 | 260104-79 | O-Ring | 3 | |
| 17 | 20773 | 545499-02 | Compression Spring | 1 | |
| 18 | 21185 | 546189-01 | Spacing Sleeve | 1 | |
| 19 | 21184 | 546188-01 | Intermediate Part | 1 | |
| 20 | 12974 | 223412-82 | O-Ring | 1 | |
| 21 | 12995 | 2 234121-25 | O-Ring | 1 | |
| 22 | 21179 | 546185-02 | Impeller Upper | 1 | |
| 23 | 21176 | 546183-80 | Discharge Housing Upper | 1 | |
| 24 | 21220 | 546218-01 | Screw | 2 | |
| 25 | 18524 | 538092-01 | Hook | 2 | |
| 26 | 20551 | 544949-01 | Tube | 1 | |
| 27 | 13519 | 260197-01 | Union | 1 | |
| 28 | 17088 | 528940-03 | Joint Connector | 1 | |



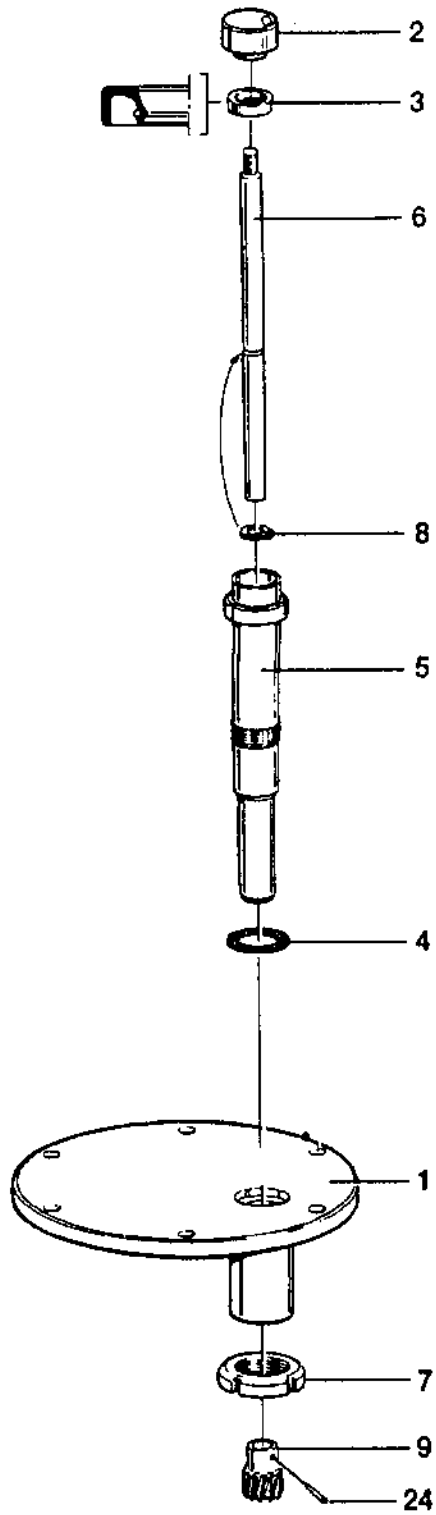
| Reference | Hutchison-Hayes Part No. | OEM Part No. | Description | Quantity | Notes |
|-----------|--------------------------|--------------|---------------------------|----------|-------|
| 1 | 19591 | 541598-81 | Bowl Body | 1 | |
| 2 | 18450 | 538124-08 | Nozzle | 1 | |
| 3 | 6716 | 543343-01 | Gasket | 1 | |
| 4 | 8044 | 529608-01 | Sleeve with Wings | 1 | |
| 5 | 12318 | 221131-03 | Screw | 3 | |
| 6 | 20039 | 543422-02 | Rectangular Ring | 1 | |
| 7 | 18450 | 537838-06 | Valve Plug | 3 | |
| 8 | 20961 | 545771-01 | Plug | 2 | |
| 9 | 19070 | 539834-01 | Operating Slide | 1 | |
| 10 | 6715 | 226214-74 | Spring | 24 | |
| 11 | 8041 | 541690-80 | Spring Support | 1 | |
| 12 | 16974 | 528168-02 | Screw | 6 | |
| 13 | 8035 | 523116-04 | Rectangular Ring | 1 | |
| 14 | 19641 | 541692-02 | Sliding Bowl Bottom | 1 | |
| 15 | 6712 | 223416-35 | O-Ring | 1 | |
| 16 | 19496 | 541334-81 | Distributing Cone | 1 | |
| 17 | 19751 | 542182-01 | Cap Nut | 1 | |
| 18 | 12850 | 223406-64 | O-Ring | 1 | |
| 19 | 12847 | 223406-58 | O-Ring | 1 | |
| 20 | 20959 | 545769-02 | Sleeve with Wings | 1 | |
| 21 | 20963 | 545781-01 | Distributor | 1 | |
| 22 | 19653 | 541741-81 | Bottom Disc | 1 | |
| 24 | 19658 | 541741-87 | Bowl Disc | 3 | |
| 25 | 19655 | 541741-84 | Bowl Disc | 5 | |
| 26 | 19502 | 541353-02 | Top Disc | 1 | |
| 27 | 8024 | 543170-01 | Seal Ring | 1 | |
| 28 | 6700 | 521863-02 | Rectangular Ring | 1 | |
| 29 | 7046 | 74355 | O-Ring | 1 | |
| 30 | 19504 | 541366-01 | Bowl Hood | 1 | |
| 31 | 19503 | 541354-01 | Lock Ring | 1 | |
| 32 | 17189 | 529799-08 | Rectangular Ring | 1 | |
| 33 | 15342 | 519164-01 | Lock Ring | 1 | |
| 34 | 19658 | 541741-87 | Bowl Disc | 110 | |
| 35 | 19655 | 541741-84 | Bowl Disc | 5 | |
| 36 | 19658 | 541741-87 | Bowl Disc | 110 | |
| 99 | 32037 | N/A | MolyCote 1000 | 1 | |



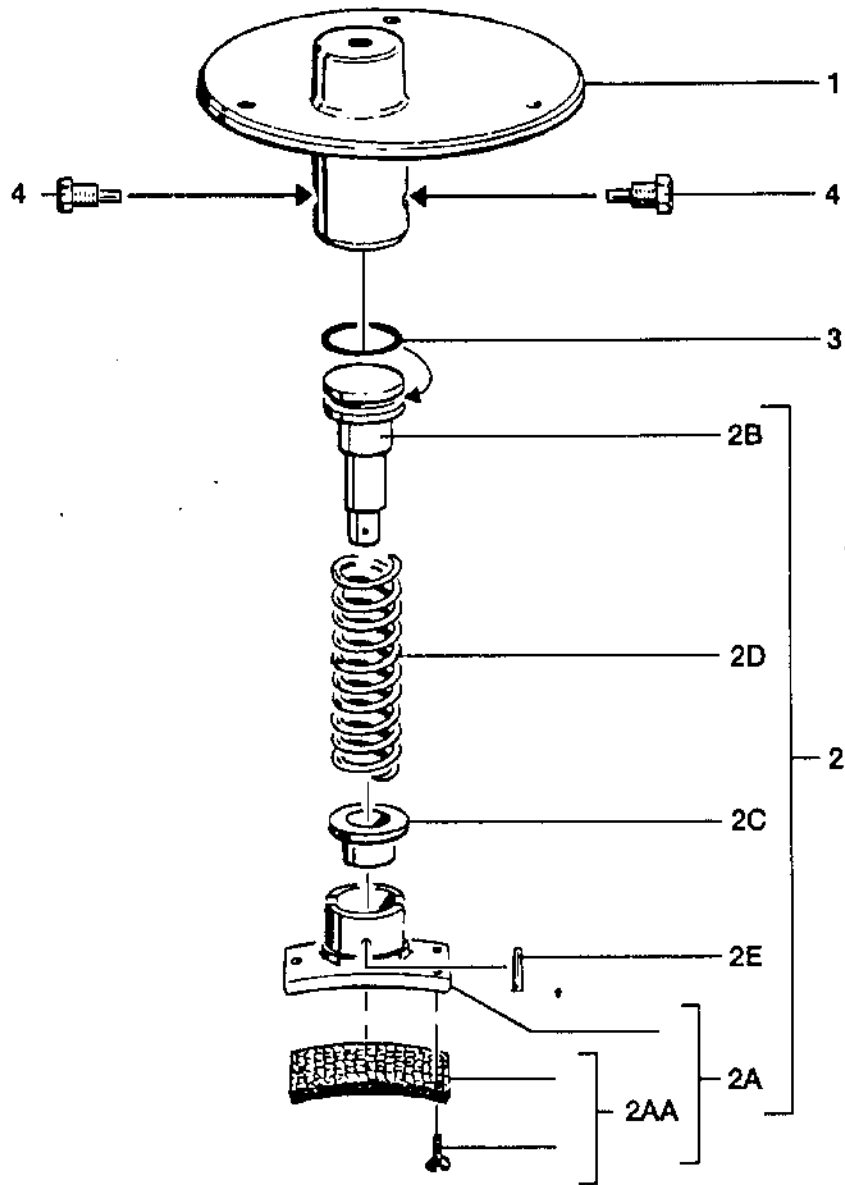
| Reference | Hutchison-Hayes Part No. | OEM Part No. | Description | Quantity | Notes |
|-----------|--------------------------|--------------|------------------------|----------|-------|
| 1 | 20525 | 544786-01 | Bearing Housing | 1 | |
| 2 | 19713 | 541985-01 | Round Nut | 1 | |
| 3 | 21282 | 546424-80 | Worm Wheel Shaft | 1 | |
| 4 | 13224 | 233211-94 | Ball Bearing | 1 | |
| 5 | 27254 | 67478 | Round Nut | 1 | |
| 6 | 20528 | 544789-01 | Lock Ring | 1 | |
| 7 | 20552 | 544950-01 | Worm Wheel | 1 | 50 Hz |
| 7 | 20553 | 544950-02 | Worm Wheel | 1 | 60 Hz |
| 9 | 19716 | 541988-01 | Clamp Element | 1 | |
| 10 | 8601 | 8379 | Ball Bearing | 1 | |
| 11 | 20522 | 544783-80 | Coupling Disc | 1 | |
| 12 | 13089 | 223610-32 | Flat Key | 1 | |
| 13 | 13324 | 260001-39 | Screw | 1 | |
| 14 | 12647 | 223107-28 | Spring Washer | 1 | |
| 15 | 19719 | 541991-01 | Washer | 1 | |
| 16 | 7280 | 60571 | Elastic Plate | 3 | |



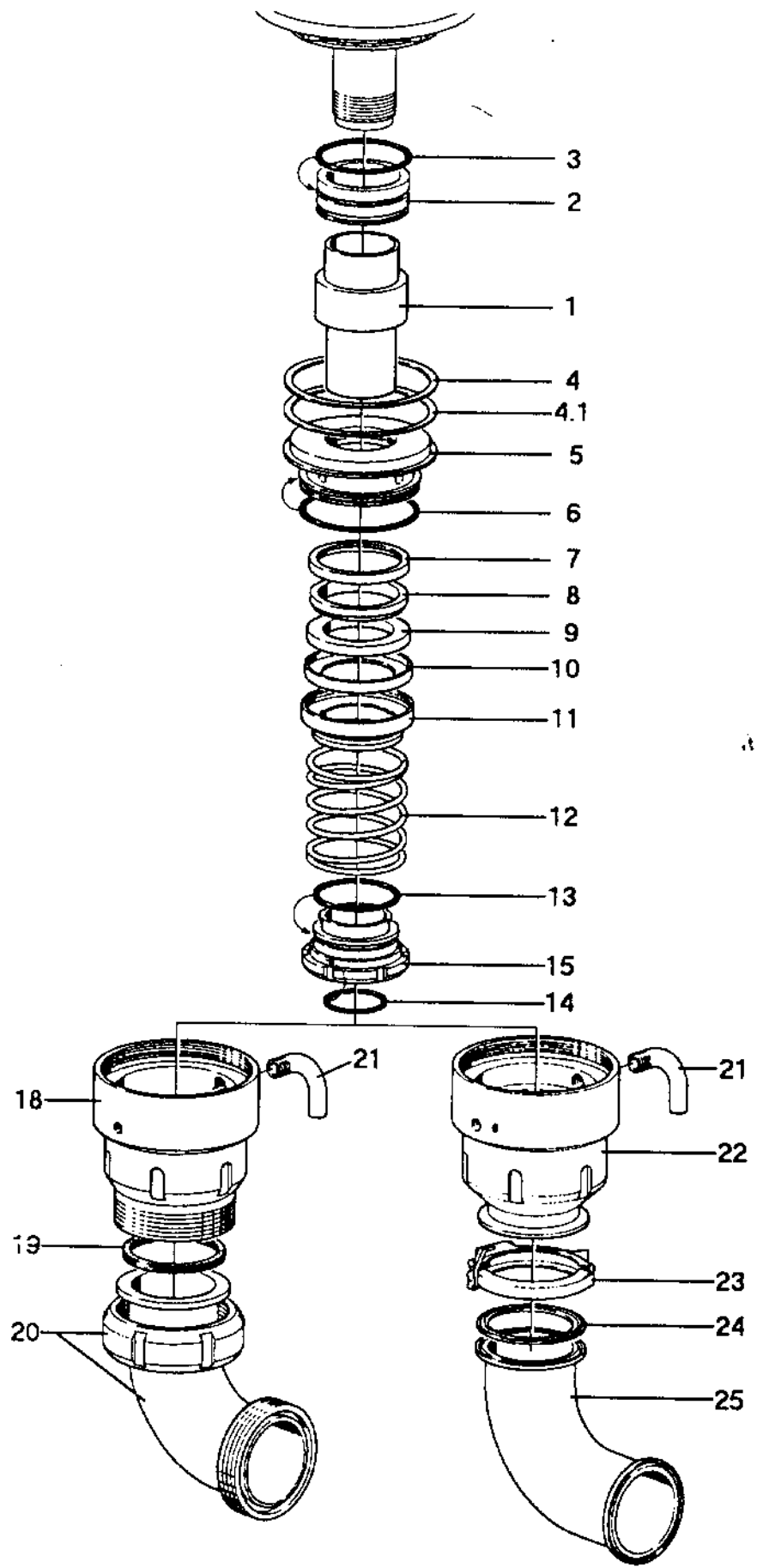
| Reference | Hutchison-Hayes Part No. | OEM Part No. | Description | Quantity | Notes |
|-----------|--------------------------|--------------|------------------------------|----------|-------|
| 1 | 21365 | 546607-01 | Bottom Bearing Housing | 1 | |
| 2 | 21814 | 223406-17 | O-Ring | 1 | |
| 3 | 12443 | 221721-12 | Screw | 6 | |
| 4 | 21294 | 546439-01 | Bowl Spindle | 1 | |
| 5 | 8153 | 233211-72 | Ball Bearing | 1 | |
| 6 | 19821 | 542451-02 | Ball Bearing Housing | 1 | |
| 7 | 13110 | 223642-49 | Snap Ring | 1 | |
| 8 | 8105 | 533415-01 | Spacing Sleeve | 1 | |
| 9 | 8108 | 233215-03 | Ball Bearing | 1 | |
| 10 | 19820 | 542450-02 | Bearing Housing | 1 | |
| 11 | 13090 | 223641-01 | Snap Ring | 1 | |
| 12 | 18541 | 538129-01 | Guide Pin | 12 | |
| 13 | 20010 | 543318-01 | Sleeve | 1 | |
| 14 | 13339 | 260083-41 | Compression Spring | 12 | |
| 15 | 19822 | 542452-02 | Top Bearing Support | 1 | |
| 16 | 9258 | 529639-02 | Rubber Buffer | 2 | |
| 17 | 7185 | 70714 | Spring | 12 | |
| 18 | 19722 | 542026-02 | Oil Fan | 1 | |
| 19 | 19723 | 542027-02 | Top Bearing Cover | 1 | |
| 20 | 12219 | 221045-35 | Screw | 3 | |
| 21 | 19532 | 541453-05 | Usit-Ring | 3 | |
| 22 | 12233 | 221046-16 | Screw | 3 | |
| 23 | 14883 | 516714-05 | Rectangular Ring | 1 | |
| 24 | 19980 | 543179-01 | Guard | 1 | |
| 25 | 20341 | 544271-01 | Seal Ring | 1 | |
| 26 | 20342 | 544272-01 | Protecting Collar | 1 | |
| 27 | 8049 | 223412-18 | O-Ring | 1 | |
| 28 | 19990 | 543188-01 | Protecting Plate | 1 | |
| 29 | 9250 | 221131-07 | Screw | 3 | |
| 30 | 19619 | 541661-01 | Worm | 1 | 50 Hz |
| 30 | 19620 | 541661-02 | Worm | 1 | 60 Hz |
| 31 | 7203 | 69843 | Ball Bearing | 1 | |
| 32 | 21361 | 546601-01 | Protecting Collar | 1 | |
| 33 | 12829 | 223406-36 | O-Ring | 1 | |



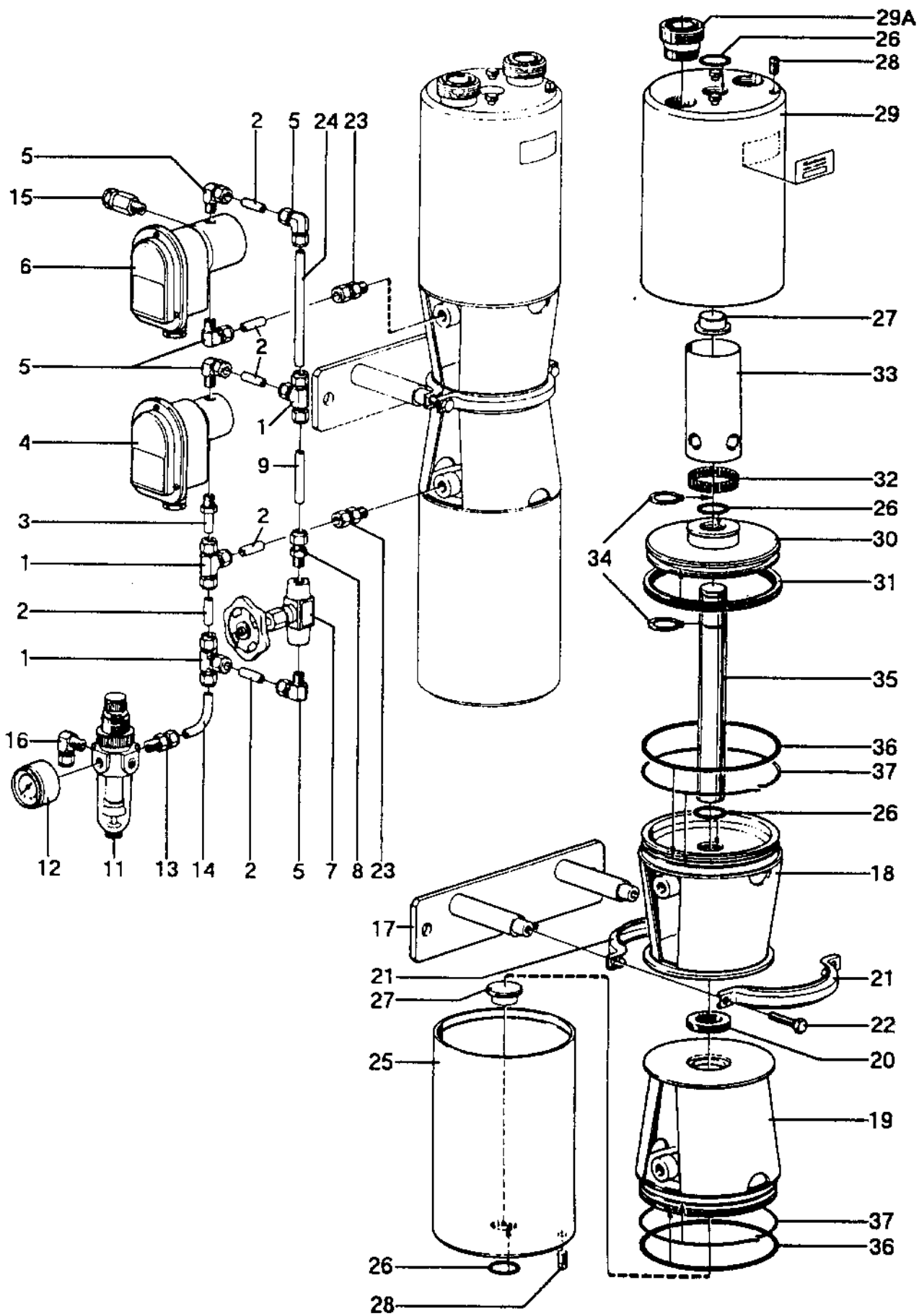
| Reference | Hutchison-Hayes Part No. | OEM Part No. | Description | Quantity | Notes |
|-----------|--------------------------|--------------|-------------------------|----------|-------|
| 1 | 20297 | 544165-02 | Worm Wheel Guard | 1 | |
| 2 | 8174 | 526694-03 | Protecting Collar | 1 | |
| 3 | 8162 | 223521-08 | Seal Ring | 1 | |
| 4 | 8179 | 223434-02 | Rectangular Ring | 1 | |
| 5 | 8178 | 528743-01 | Bushing | 1 | |
| 6 | 8176 | 526693-04 | Shaft | 1 | |
| 7 | 7244 | 67473 | Round Nut | 1 | |
| 8 | 8177 | 67542 | Snap Ring | 1 | |
| 9 | 7229 | 69214 | Gear Wheel | 1 | |
| 24 | 7230 | 69226 | Taper Pin | 1 | |



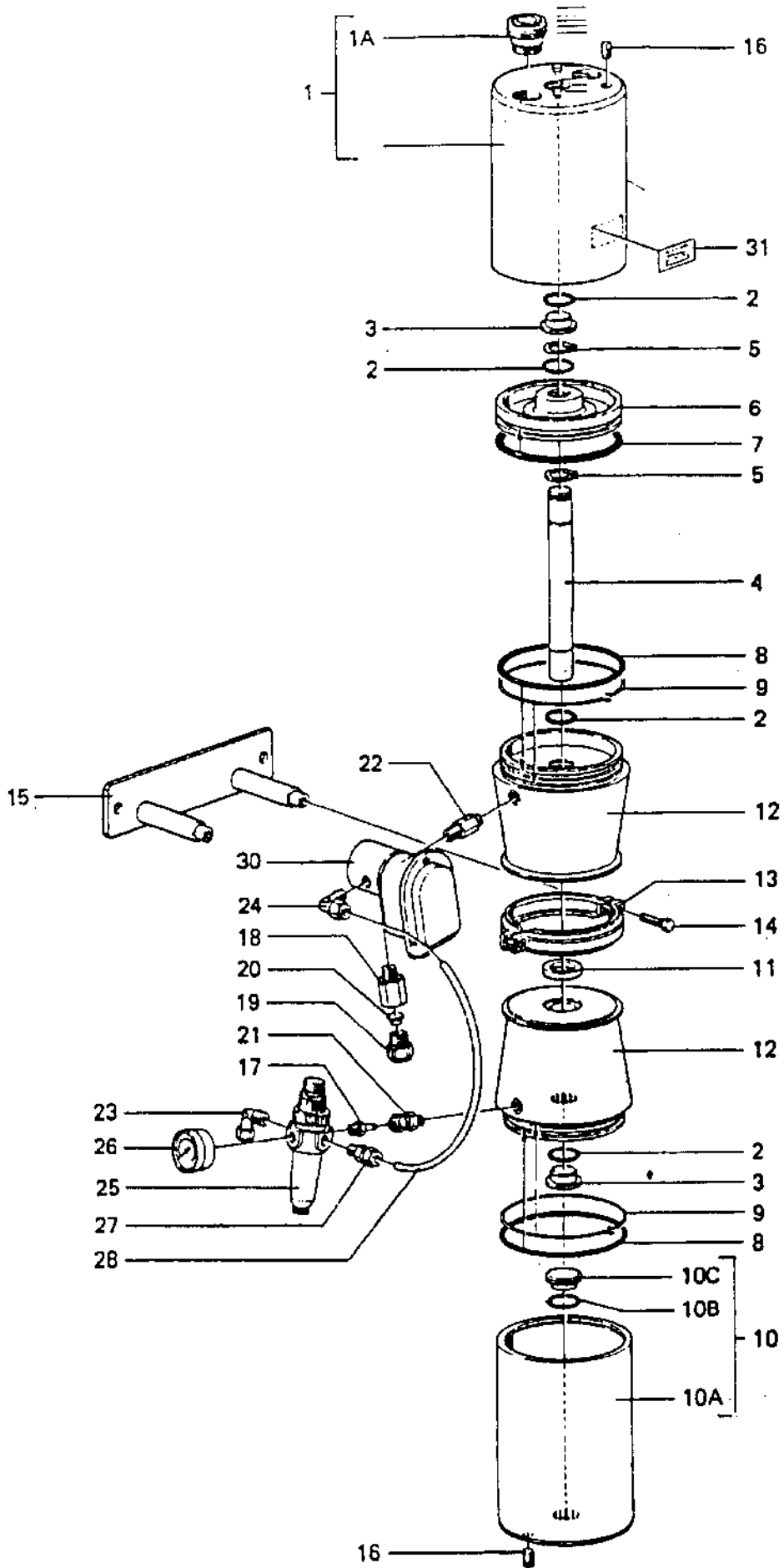
| Reference | Hutchison-Hayes Part No. | OEM Part No. | Description | Quantity | Notes |
|-----------|--------------------------|--------------|------------------------|----------|-------|
| 1 | 20527 | 544788-80 | Protecting Cover | 1 | |
| 2 | 17901 | 535201-83 | Brake Shoe | 1 | |
| 2A | 6756 | 537602-86 | Brake Shoe | 1 | |
| 2AA | 7220 | 310637-84 | Friction Pad | 1 | |
| 2AAA | 7271 | 8341 | Screw | 3 | |
| 2B | 6753 | 535202-01 | Piston Rod | 1 | |
| 2C | 6754 | 535206-01 | Gland | 1 | |
| 2D | 8315 | 226214-83 | Spring | 1 | |
| 2E | 7219 | 67960 | Slotted Pin | 1 | |
| 3 | 6752 | 223406-27 | O-Ring | 1 | |
| 4 | 6751 | 535207-01 | Stop Screw | 2 | |



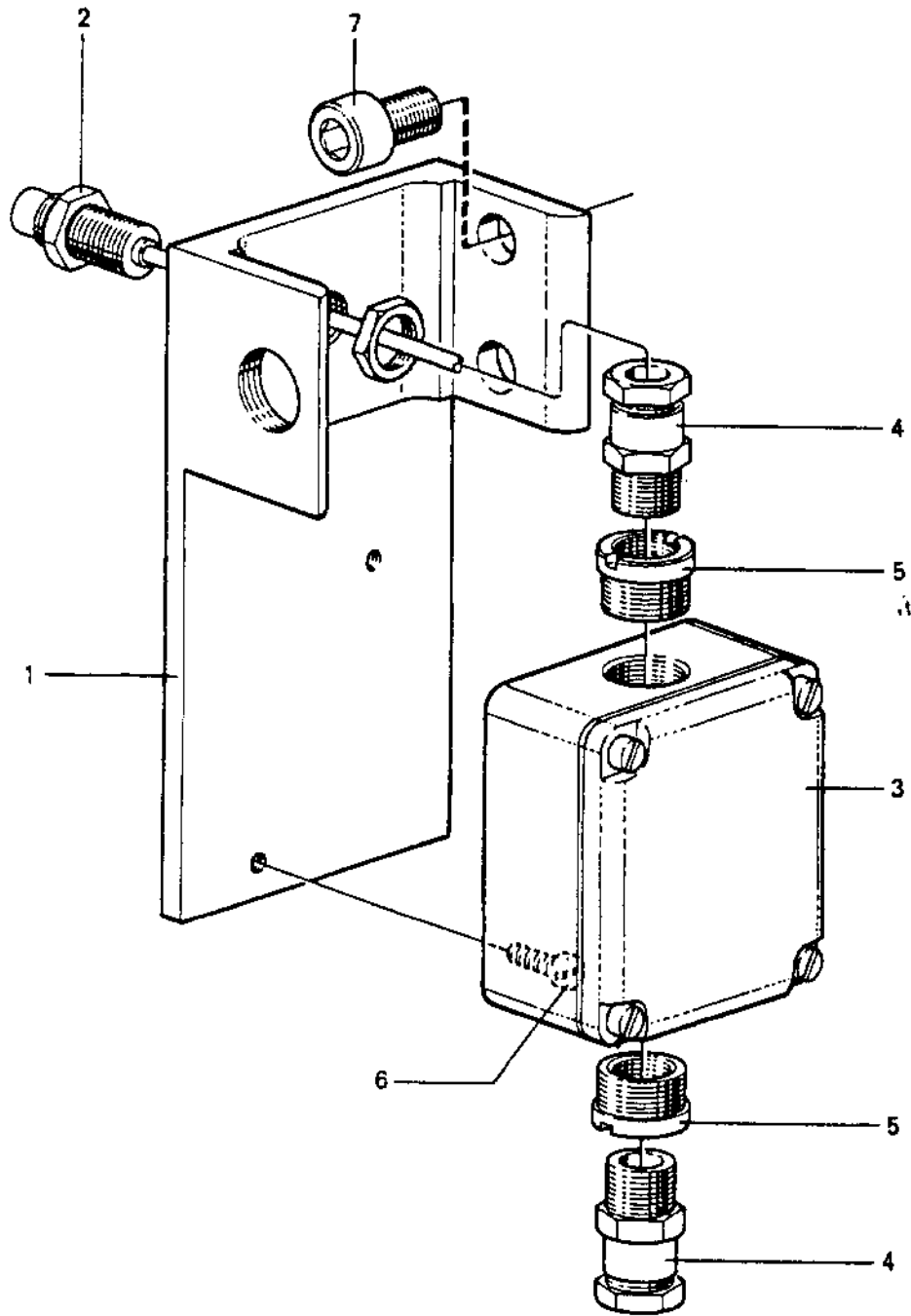
| Reference | Hutchison-Hayes Part No. | OEM Part No. | Description | Quantity | Notes |
|-----------|--------------------------|--------------|-----------------------------------|----------|------------|
| 1 | 21373 | 546636-01 | Sleeve | 1 | |
| 2 | 21372 | 546635-01 | Radiation Ring | 1 | |
| 3 | 12812 | 223406-15 | O-Ring | 1 | |
| 4 | 21375 | 546637-01 | Height Adjusting Ring 1mm | 1 | |
| 4.1 | 21376 | 546637-02 | Height Adjusting Ring .5 mm | 3 | T = 1.0 mm |
| 5 | 21366 | 546610-01 | Intermediate Part | 1 | T = 0.5 mm |
| 6 | 12811 | 223406-14 | O-Ring | 1 | |
| 7 | 19368 | 540829-01 | Gasket | 1 | |
| 8 | 19611 | 541648-01 | Seal Ring | 1 | |
| 9 | 19613 | 541649-04 | Wear Ring | 1 | |
| 10 | 19367 | 540829-03 | Gasket | 1 | |
| 11 | 19614 | 541650-01 | Holder for Wear Ring | 1 | |
| 12 | 20773 | 545499-02 | Compression Spring | 1 | |
| 13 | 13403 | 260104-79 | O-Ring | 1 | |
| 14 | 12847 | 223406-58 | O-Ring | 1 | |
| 15 | 21301 | 546450-01 | Guide Sleeve | 1 | |
| 18 | 21381 | 546655-01 | Inlet Housing | 1 | |
| 19 | 12079 | 190605 | Rectangular Ring | 1 | 546657-81 |
| 20 | 12108 | 191033 | Elbow Pipe | 1 | 546657-81 |
| 21 | 20765 | 545461-01 | Tube Bend | 1 | 546657-81 |
| 22 | 22015 | 548412-01 | Inlet Housing | 1 | |
| 23 | 18571 | 538247-04 | Clamp Coupling | 1 | 546657-82 |
| 24 | 18574 | 538248-03 | Gasket | 1 | 546657-82 |
| 25 | 19647 | 541709-80 | Elbow Pipe | 1 | 546657-82 |



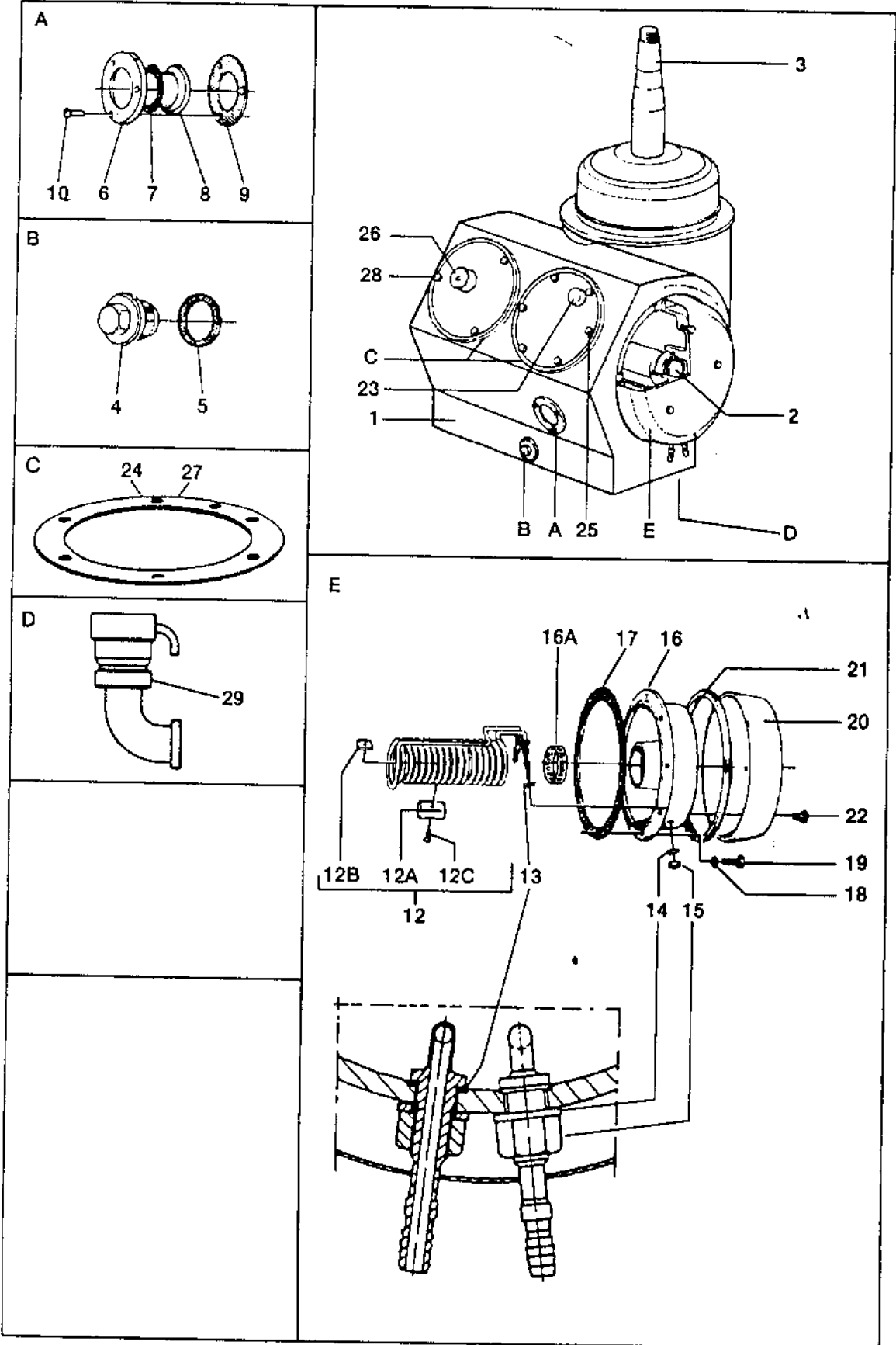
| Reference | Hutchison-Hayes Part No. | OEM Part No. | Description | Quantity | Notes |
|-----------|--------------------------|--------------|---------------------------------------|----------|-----------|
| 1 | 30759 | 552894-13 | Union Tee | 3 | |
| 2 | 30760 | 552894-32 | Port Connector | 6 | |
| 3 | 22901 | 552755-13 | Tube Adapter | 1 | |
| 4 | 30768 | 554495-01 | Solenoid Valve 24vdc | 1 | 554569-01 |
| 4 | 30769 | 554495-02 | Solenoid Valve 24vac | 1 | 554569-02 |
| 4 | 30770 | 554495-03 | Solenoid Valve 48vac | 1 | 554569-03 |
| 4 | 30771 | 554495-03 | Solenoid Valve 110vac | 1 | 554569-04 |
| 5 | 22905 | 552755-73 | Male Elbow Connector | 4 | |
| 6 | 22883 | 552652-80 | Solenoid Valve 24V DC | 1 | 554569-01 |
| 6 | 22884 | 552652-81 | Solenoid Valve 24 V AC, 50/60 H | 1 | 554569-02 |
| 6 | 22885 | 552652-82 | Solenoid Valve 48V AC, 50/60 Hz | 1 | 554569-03 |
| 6 | 22886 | 552652-83 | Solenoid Valve 110V AC, 50/60 H | 1 | 554569-04 |
| 7 | 30761 | 554038-01 | Needle Valve | 1 | |
| 8 | 30757 | 552755-43 | Male Connector | 1 | |
| 9 | 30765 | 554069-02 | Pipe | 1 | |
| 10 | 22934 | 552894-02 | Union Elbow | 1 | |
| 11 | 29537 | 770120-05 | Filter Regulator | 1 | |
| 12 | 19922 | 543054-20 | Pressure Gauge | 1 | |
| 13 | 30756 | 552755-32 | Male Connector | 1 | |
| 14 | 30764 | 554068-03 | Elbow Pipe | 1 | |
| 14A | 30765 | 554069-02 | Pipe | 1 | |
| 15 | 22922 | 553325-02 | Silencer | 1 | |
| 16 | 30758 | 552755-60 | Male Elbow Connector | 1 | |
| 17 | 30754 | 544968-82 | Holder | 1 | |
| 18 | 30772 | 554712-01 | Intermediate Part | 1 | |
| 19 | 30773 | 554713-01 | Intermediate Part | 1 | |
| 20 | 30755 | 545098-02 | Washer | 1 | |
| 21 | 20436 | 544611-01 | Clamp Half | 2 | |
| 22 | 12185 | 221036-06 | Screw | 2 | |
| 23 | 22903 | 552755-33 | Male Connector | 2 | |
| 24 | 30766 | 554069-07 | Pipe | 1 | |
| 25 | 32096 | 31353 0185-1 | Cylinder | 1 | |
| 26 | 12840 | 223406-49 | O-Ring | 4 | |
| 27 | 20422 | 544584-01 | Plug | 2 | |
| 28 | 20574 | 544990-01 | Plug | 2 | |
| 29 | 20425 | 544586-81 | Cylinder | 1 | |
| 29A | 20426 | 544587-01 | Nipple | 2 | |
| 30 | 30763 | 554065-01 | Piston | 1 | |
| 31 | 23025 | 554090-02 | Piston Seal | 1 | |
| 32 | 30767 | 554094-01 | Tolerance Ring | 1 | |
| 33 | 30762 | 554059-01 | Distance Pipe | 1 | |
| 34 | 15527 | 519975-05 | Snap Ring | 2 | |
| 35 | 20428 | 544590-01 | Piston Rod | 1 | |
| 36 | 12814 | 223406-17 | O-Ring | 2 | |
| 37 | 22929 | 552835-02 | Locking Wire | 2 | |



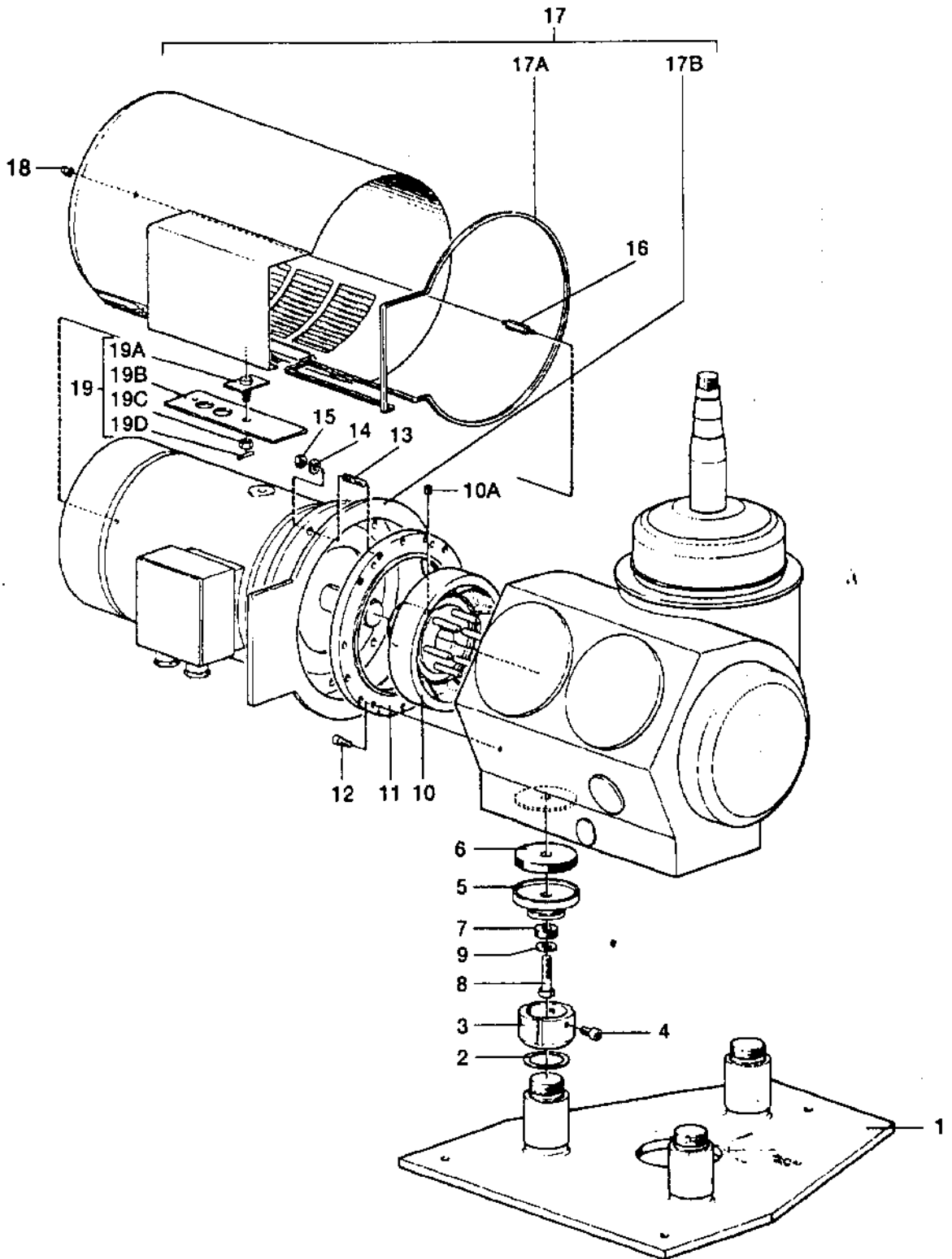
| Reference | Hutchison-Hayes Part No. | OEM Part No. | Description | Quantity | Notes |
|-----------|--------------------------|--------------|----------------------------|----------|-------|
| 1 | 20424 | 544586-80 | Cylinder | 1 | |
| 1A | 20426 | 544587-01 | Nipple | 2 | |
| 2 | 12840 | 223406-49 | O-Ring | 4 | |
| 3 | 20422 | 544584-01 | Plug | 2 | |
| 4 | 20428 | 544590-01 | Piston Rod | 1 | |
| 5 | 15527 | 519975-05 | Snap Ring | 2 | |
| 6 | 20427 | 544589-01 | Piston | 1 | |
| 7 | 12712 | 223401-75 | O-Ring | 1 | |
| 8 | 12814 | 223406-17 | O-Ring | 2 | |
| 9 | 22929 | 552835-02 | Locking Wire | 2 | |
| 10 | 20423 | 544585-80 | Cylinder | 1 | |
| 10A | 32096 | 31353 0185-1 | Cylinder | 1 | |
| 10B | 12840 | 223406-49 | O-Ring | 1 | |
| 10C | 20422 | 544584-01 | Plug | 1 | |
| 11 | 30755 | 545098-02 | Washer | 1 | |
| 12 | 32097 | 548734-01 | Intermediate Part | 2 | |
| 13 | 20436 | 544611-01 | Clamp Half | 2 | |
| 14 | 12185 | 221036-06 | Screw | 2 | |
| 15 | 30754 | 544968-82 | Holder | 1 | |
| 16 | 20574 | 544990-01 | Plug | 2 | |
| 17 | 22900 | 552755-01 | Tube Adapter | 1 | |
| 18 | 22909 | 552770-03 | Reducing Adapter | 1 | |
| 19 | 20433 | 544599-01 | Silencer | 1 | |
| 20 | 20534 | 544900-01 | Throttling Washer | 1 | |
| 21 | 22902 | 552755-30 | Male Connector | 1 | |
| 22 | 22911 | 552770-40 | Adapter | 1 | |
| 23 | 22904 | 552755-61 | Male Elbow Connector | 1 | |
| 24 | 22905 | 552755-73 | Male Elbow Connector | 1 | |
| 25 | 29539 | 770120-07 | Filter Regulator | 1 | |
| 26 | 29523 | 770048-01 | Pressure Gauge | 1 | |
| 27 | 22903 | 552755-33 | Male Connector | 1 | |
| 28 | 22913 | 552786-22 | Decoron n2 Tubing | 1 | |
| 30 | 22885 | 552652-82 | Solenoid Valve | 1 | |
| 31 | 18896 | 539436-01 | Art. No Plate | 1 | |



| Reference | Hutchison-Hayes Part No. | OEM Part No. | Description | Quantity | Notes |
|-----------|--------------------------|--------------|------------------------|----------|-------|
| 1 | 21331 | 546531-01 | Support | 1 | |
| 2 | 22858 | 552042-01 | Inductive Sensor | 1 | |
| 3 | 19764 | 542267-01 | Junction Box | 1 | |
| 4 | 17215 | 529910-01 | Seal Sleeve | 2 | |
| 5 | 18939 | 539505-03 | Reducing Socket | 2 | |
| 6 | 12298 | 221120-27 | Screw | 2 | |
| 7 | 12451 | 221721-37 | Screw | 2 | |



| Reference | Hutchison-Hayes Part No. | OEM Part No. | Description | Quantity | Notes |
|-----------|--------------------------|--------------|---------------------------------|----------|-------|
| 1 | * | 541901-80 | Frame Bottom Part | 1 | |
| 2 | * | 546423-81 | Driving Device Horizontal | 1 | |
| 3 | * | 546800-86 | Driving Device Vertical | 1 | |
| 4 | 8135 | 526189-01 | Drain Screw | 1 | |
| 5 | 8134 | 223316-05 | Rectangular Ring | 1 | |
| 6 | 8137 | 523215-02 | Fixing Plate | 1 | |
| 7 | 7235 | 37167 | Rectangular Ring | 1 | |
| 8 | 7234 | 38685 | Glass Disc | 1 | |
| 9 | 8136 | 528723-01 | Gasket | 1 | |
| 10 | 2319 | 221131-08 | Screw | 3 | |
| 12 | 8068 | 534126-83 | Cooling Coil | 1 | |
| 12A | 8070 | 534127-01 | Magnet | 1 | |
| 12B | 8069 | 534128-01 | Washer | 1 | |
| 12C | 13547 | 260250-05 | Screw | 1 | |
| 13 | 8072 | 73665 | Rectangular Ring | 2 | |
| 14 | 12637 | 223101-37 | Washer | 2 | |
| 15 | 12504 | 221803-40 | Nut | 2 | |
| 16 | 20073 | 543494-80 | Bearing Shield | 1 | |
| 16A | 20608 | 545063-03 | Tolerance Ring | 1 | |
| 17 | 6326 | 43626 | Gasket | 1 | |
| 18 | 12637 | 223101-61 | Washer | 8 | |
| 19 | 12202 | 221041-01 | Screw | 8 | |
| 20 | 17043 | 528709-01 | Guard | 1 | |
| 21 | 6337 | 43630 | Seal Strip | 1 | |
| 22 | 12211 | 221041-20 | Screw | 2 | |
| 23 | 30731 | 528753-85 | Worm Wheel Guard | 1 | |
| 24 | 8124 | 528732-01 | Gasket | 1 | |
| 25 | 12211 | 221041-20 | Screw | 6 | |
| 26 | 30730 | 535336-81 | Remote Control Brake | 1 | |
| 27 | 8124 | 528732-01 | Gasket | 1 | |
| 28 | 12211 | 221041-20 | Screw | 3 | |
| 29 | * | 546657-81 | Inlet Device | 1 | |



| Reference | Hutchison-Hayes Part No. | OEM Part No. | Description | Quantity | Notes |
|-----------|--------------------------|--------------|---------------------------------|----------|-------|
| 1 | 20134 | 543688-80 | Foundation Plate | 1 | |
| 2 | 10278 | 785332-02 | Adjusting Washer | 18 | |
| 3 | 17046 | 528729-02 | Holder | 3 | |
| 4 | 12463 | 221731-11 | Screw | 9 | |
| 5 | 10277 | 526186-02 | Frame Foot | 3 | |
| 6 | 6723 | 528738-02 | Rubber Cushion | 3 | |
| 7 | 7032 | 65235 | Rectangular Ring | 3 | |
| 8 | 13322 | 260001-21 | Screw | 3 | |
| 9 | 6725 | 223142-04 | Washer | 3 | |
| 10 | 20519 | 544782-80 | Brake Pulley | 1 | |
| 10A | 12381 | 221581-74 | Screw | 1 | |
| 11 | 20517 | 544781-02 | Motor Adapter | 1 | |
| 12 | 9255 | 221726-09 | Screw | 6 | |
| 13 | 13478 | 260176-01 | Stud Bolt | 6 | |
| 14 | 28126 | 70490 | Washer | 6 | |
| 15 | 12502 | 221803-34 | Nut | 6 | |
| 16 | 20529 | 544790-01 | Spacing Pin | 1 | |
| 17 | 20252 | 544057-81 | Guard | 1 | |
| 17A | 6298 | 43631 | Seal Strip | 2 | |
| 17B | 20168 | 543775-81 | Guide Ring | 1 | |
| 18 | 12523 | 221851-11 | Cap Nut | 1 | |
| 19 | 20170 | 543776-81 | Covering Plate f Prot Cap | 1 | |
| 19A | 32093 | 543778-80 | Locking Plate | 1 | |
| 19B | 32094 | 543777-02 | Covering Plate | 1 | |
| 19C | 12504 | 221803-40 | Nut | 1 | |
| 19D | 32095 | 68617 | Slotted Pin | 1 | |