

## **Hutchison-Hayes Separators, Inc.**

### **Model W/HMRPX-714 HGV Parts List With Diagrams**

**P.O. Box 2965 ♦ Houston, Texas 77252**  
**3520 East Belt ♦ Houston, Texas 77015**  
**(713) 455-9600 ♦ Fax (713) 455-7753**

# Contents

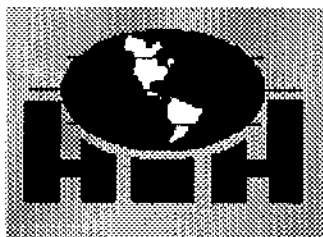
Product No  
88 1122 D101  
Product name  
H MRPX/W MRPX 714HGV-74C

---

Page	Machine unit No
------	-----------------

---

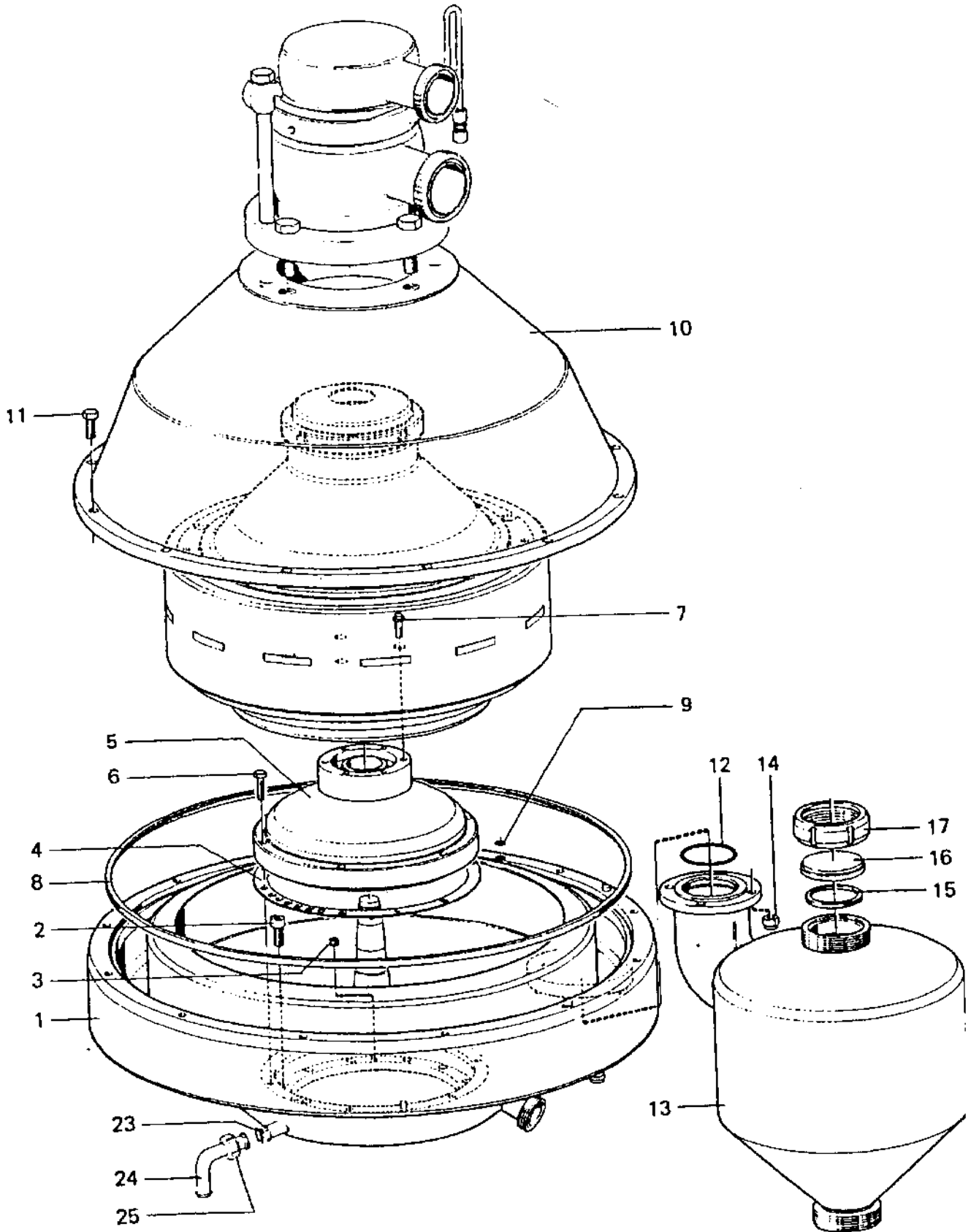
100	545525 05
200	546866 01
300	546822 06
310	546822 09
400	546271 07
400	546271 08
500	546530 83
600	546093 01
700	537687 03
800	546400 80



## **Hutchison-Hayes Separators, Inc.**

**This is a Spacer Page**

**P.O. Box 2965 ♦ Houston, Texas 77252**  
**3520 East Belt ♦ Houston, Texas 77015**  
**(713) 455-9600 ♦ Fax (713) 455-7753**



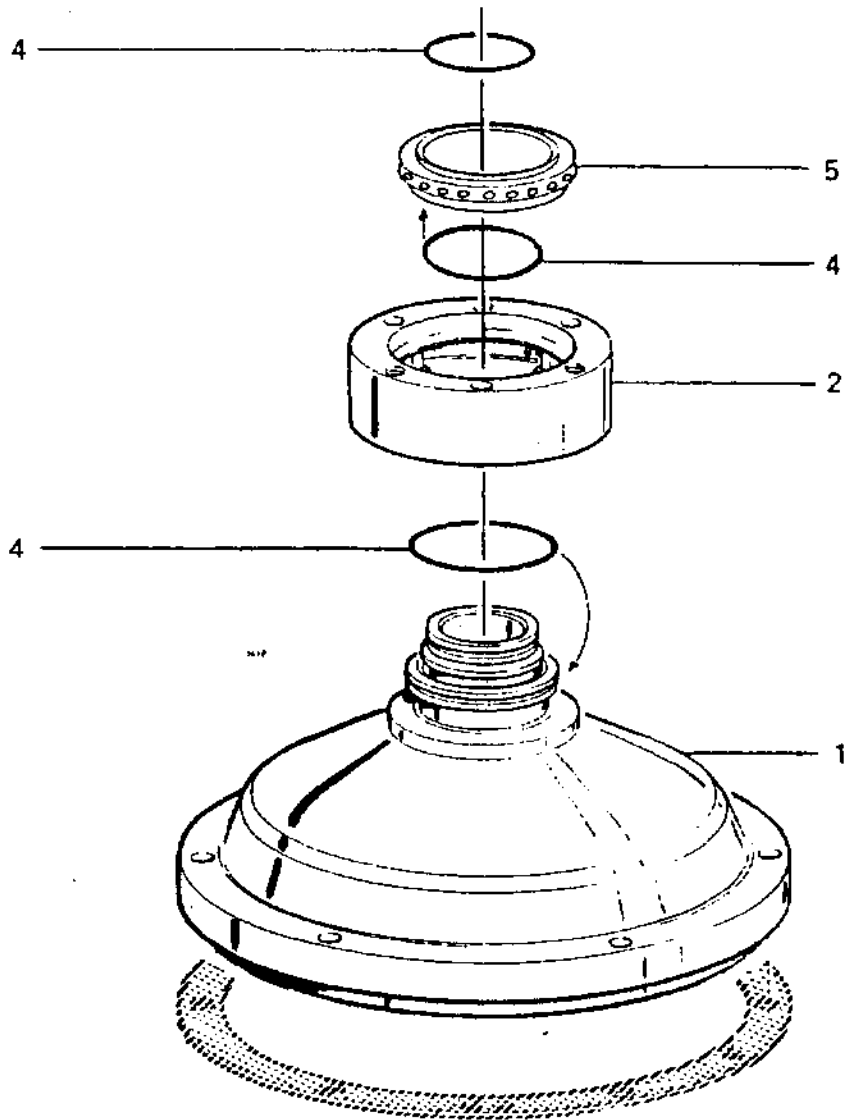
581A

Machine type  
H MRPX/W MRPX 714HGV-74C

Machine unit description  
Machine top part  
Subassembly description

Page  
**100-1**  
Fig. ref.  
581A  
Date  
89-08

Ref.	Part No	Description	Machine unit No or Subassembly No / Qty							Notes
			545525 05							
1	546550 80	Frame top part .....	1							
2	221731 08	Screw .....	6							
3	260080 36	Stop screw .....	3							
4	539244 02	Height adjusting ring .....	5							
5	528249 85	Paring disc device .....	1	-	-	-	-	-	-	SEE PAGE 100-1.1
6	221046 04	Screw .....	6							
7	545633 01	Screw .....	3							
8	545318 03	Seal strip .....	1							
9	223406 25	O-ring .....	1							
10	546541 80	Frame hood .....	1							
11	2 210463 23	Screw .....	12							
12	31317 0886 1	Rectangular ring .....	1							
13	542991 03	Cyclone .....	1							
14	221891 17	Lock nut .....	4							
15	31317 0886 1	Rectangular ring .....	1							
16	31317 0334 1	Washer .....	1							
17	31317 0884 1	Coupling nut .....	1							
23	190601	Rectangular ring .....	1							
24	191603	Hose liner .....	1							
25	190613	Coupling nut .....	1							



0735A

Machine type

H MRPX/W MRPX 714HGV-74C

Machine unit description

Machine top part

Subassembly description

Paring disc device

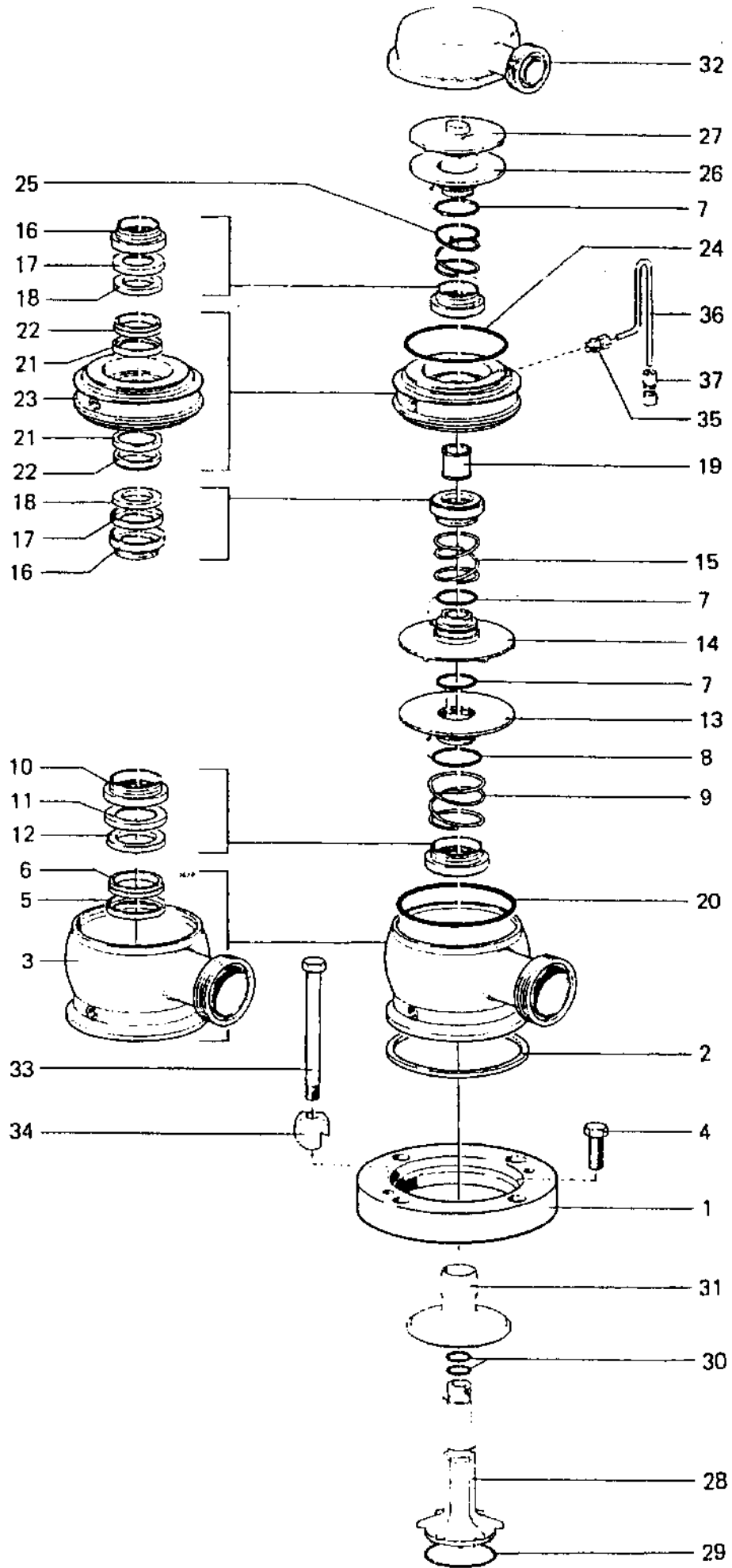
Page

100-1.1

Fig. ref.  
735A

Date  
89-08

Ref.	Part No	Description	Machine unit No or Subassembly No / Qty						Notes
			528249 85						
1	539242 81	Distributing cover .....	1						
2	528094 83	Distributing ring .....	1						
4	74634	O-ring .....	3						
5	544326 01	Control paring disc .....	1						

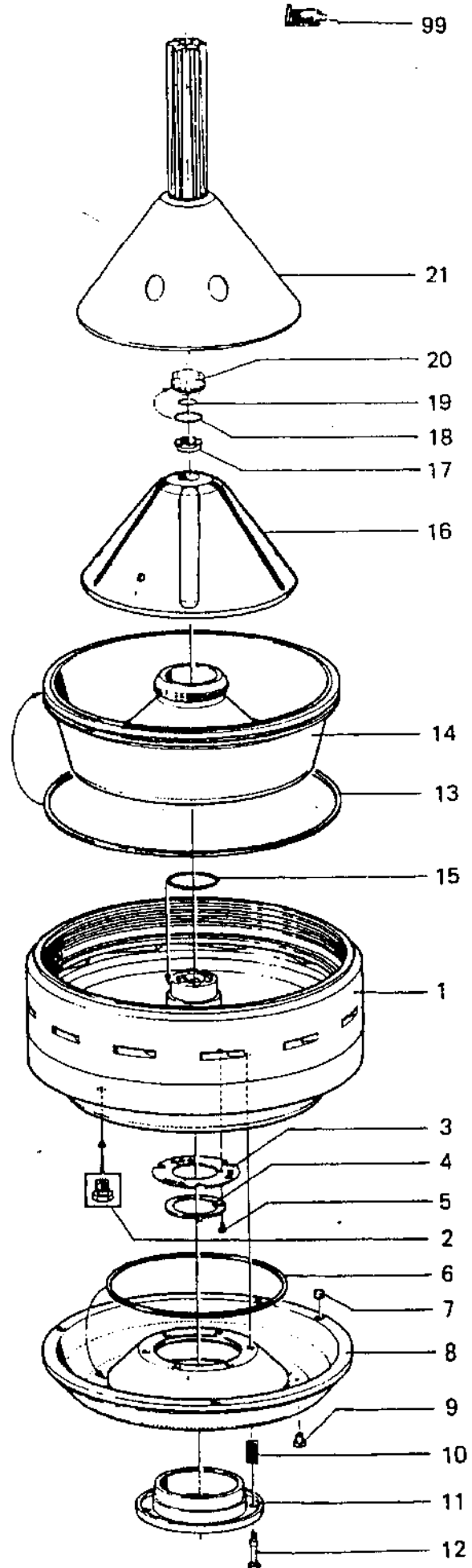
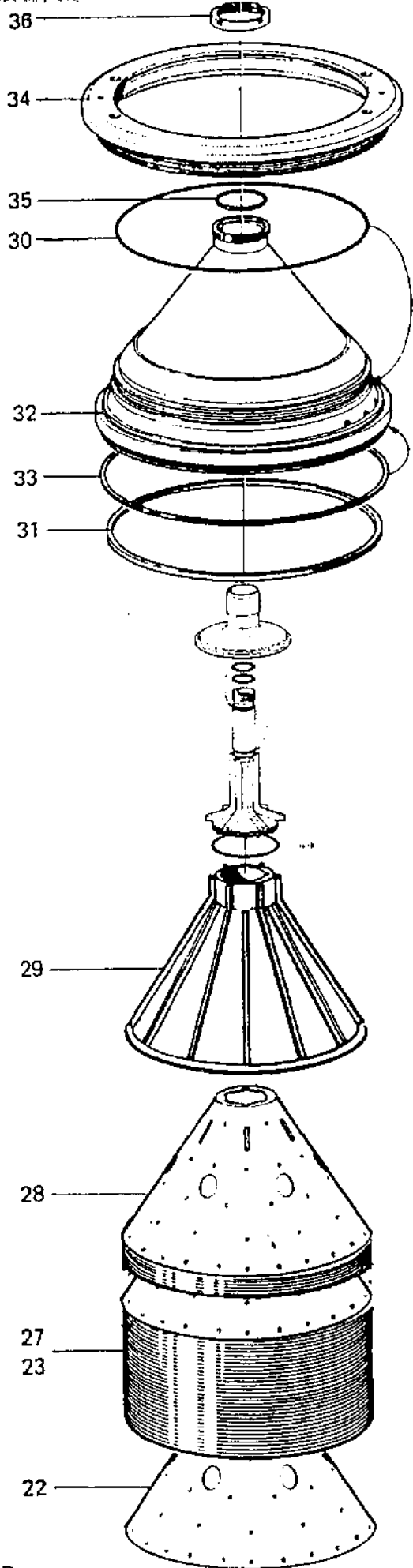


0237B

Machine type H MRPX/W MRPX 714HGV-74C	Machine unit description Discharge device
	Subassembly description

Page <b>200-1</b>
Fig. ref. 237B
Date 89-08

Ref.	Part No	Description	Machine unit No or Subassembly No / Qty							Notes
			54666 01							
1	546186 02	Centering ring .....	1							
2	535784 01	Height adjusting ring 4mm .....	1	-	-	-	-	-	-	H = 4 mm
2	535784 02	Height adjusting ring 5mm .....	1	-	-	-	-	-	-	H = 5 mm
2	535784 03	Height adjusting ring 6mm .....	1	-	-	-	-	-	-	H = 6 mm
2	535784 04	Height adjusting ring 7mm .....	1	-	-	-	-	-	-	H = 7 mm
2	535784 05	Height adjusting ring 8mm .....	1	-	-	-	-	-	-	H = 8 mm
3	546662 80	Discharge housing lower .....	1							
4	2 210463 23	Screw .....	4							
5	540829 04	Gasket .....	1							
6	541648 05	Seal ring .....	1							
7	260104 80	O-ring .....	3							
8	260104 79	O-ring .....	1							
9	260083 48	Compression spring .....	1							
10	541650 01	Holder for wear ring .....	1							
11	540829 09	Gasket .....	1							
12	541649 04	Wear ring .....	1							
13	540527 02	Impeller bottom part .....	1							
14	540519 02	Impeller top part .....	1							
15	260083 49	Compression spring .....	1							
16	541651 01	Holder for wear ring .....	2							
17	540829 08	Gasket .....	2							
18	541649 05	Wear ring .....	2							
19	540551 01	Spacing sleeve .....	1							
20	2 234121 25	O-ring .....	1							
21	540829 07	Gasket .....	2							
22	541648 04	Seal ring .....	2							
23	546667 01	Intermediate part .....	1							
24	2 234121 21	O-ring .....	1							
25	545499 01	Compression spring .....	1							
26	540528 02	Impeller bottom part .....	1							
27	540520 02	Impeller top part .....	1							
28	540493 02	Outlet pipe .....	1							
29	223406 68	O-ring .....	1							
30	223406 49	O-ring .....	2							
31	540550 01	Guide sleeve .....	1							
32	540536 80	Discharge housing .....	1							
33	546218 01	Screw .....	2							
34	538092 01	Hook .....	2							
35	260197 01	Union .....	1							
36	544949 01	Tube .....	1							
37	528940 03	Joint connector .....	1							



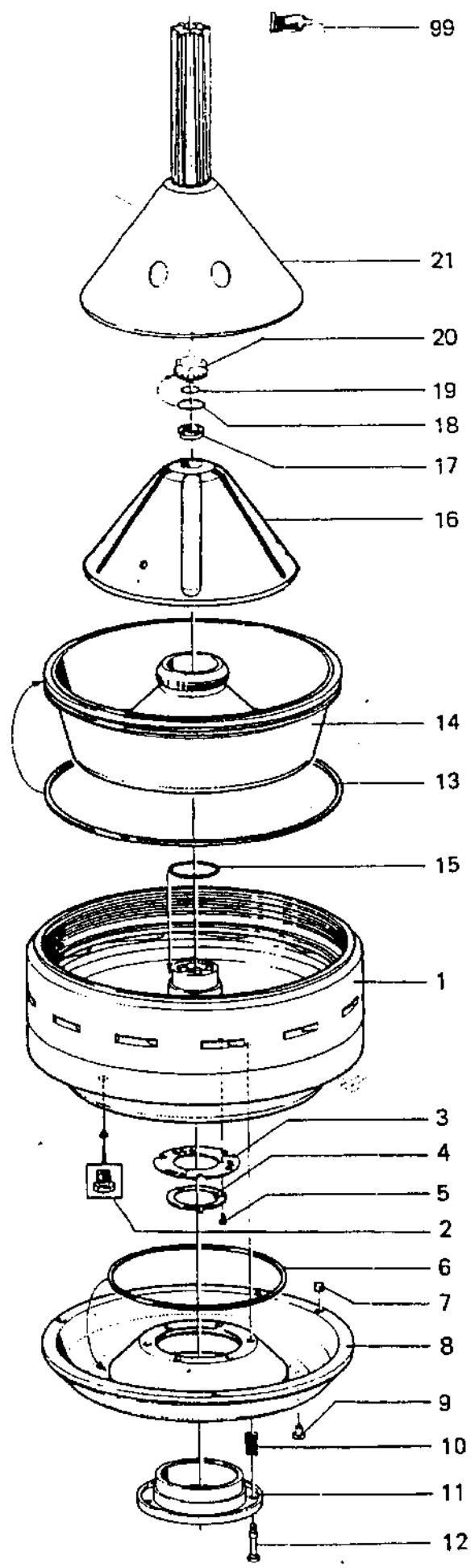
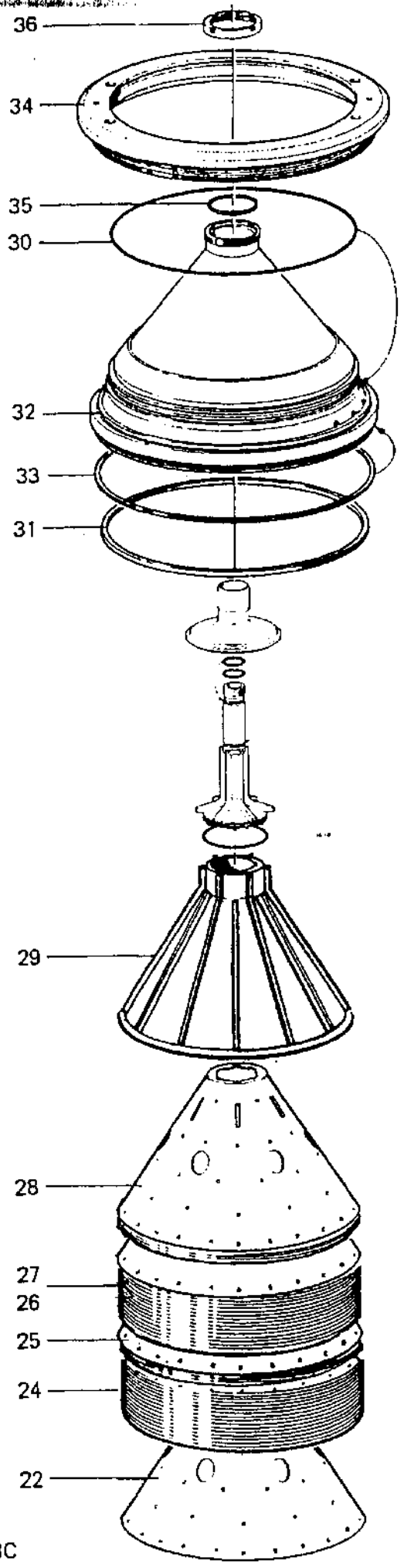
0343B

Machine type	Machine unit description	Page <b>300-1</b>
H MRPX/W MRPX 714HGV-74C	Separator bowl	Fig. ref. 343B
	Subassembly description	Date 89-08

Ref.	Part No	Description	Machine unit No or Subassembly No / Qty								Notes
			546822 06								
1	543672 81	Bowl body .....	1	-	-	-	-	-	-	-	■
2	538124 07	Nozzle .....	1								
3	543343 01	Gasket .....	1								
4	529608 01	Sleeve with wings .....	1								
5	221131 03	Screw .....	3								
6	543422 01	Rectangular ring .....	1								
7	540742 01	Valve plug .....	3								
8	543673 02	Operating slide .....	1	-	-	-	-	-	-	-	■
9	546825 80	Plug .....	2								
10	226214 27	Spring .....	18								
11	543690 81	Spring support .....	1	-	-	-	-	-	-	-	■
12	221726 31	Screw .....	6								
13	74722	Rectangular ring .....	1								
14	541917 04	Sliding bowl bottom .....	1								
15	223412 12	O-ring .....	1								
16	543699 81	Distributing cone .....	1	-	-	-	-	-	-	-	■
17	542182 01	Cap nut .....	1								
18	223406 64	O-ring .....	1								
19	223406 58	O-ring .....	1								
20	545769 02	Sleeve with wings .....	1								
21	543700 02	Distributor .....	1	-	-	-	-	-	-	-	■
22	541487 86	Bottom disc .....	1								
23	541487 91	Bowl disc .....	220								
27	541487 91	Bowl disc .....	3	-	-	-	-	-	-	-	3)
28	541487 84	Bowl disc .....	2								
29	540494 02	Top disc .....	1	-	-	-	-	-	-	-	■
30	74355	O-ring .....	1								
31	544130 01	Seal ring .....	1								
32	537874 03	Bowl hood .....	1	-	-	-	-	-	-	-	■
33	67566	O-ring .....	1								
34	543708 02	Lock ring .....	1	-	-	-	-	-	-	-	■
35	529799 08	Rectangular ring .....	1								
36	519164 01	Lock ring .....	1								
99	537086 02	Molybdenum disulfide past .....	1								

■ Utbyte nödvändiggör ombalansering av kulan. Exchange necessitates rebalancing of bowl.  
Austasch erfordert Wiederauswuchtung der Trommel. L'échange nécessite le rééquilibrage du bol. El cambio hace necesario un nuevo equilibrado del rotor. La sostituzione comporta la riequilibratura del tamburo. A substituição exige o reequilíbrio do rotor. Vaihdettaessa kuula tasapainoitettava uudelleen.

3) Sänds separat. Sent separately. Wird separat gesandt. Envoyé séparément.  
Envío por separado. Inviato separatamente. Remessa separadamente. Lähetetään erikseen.

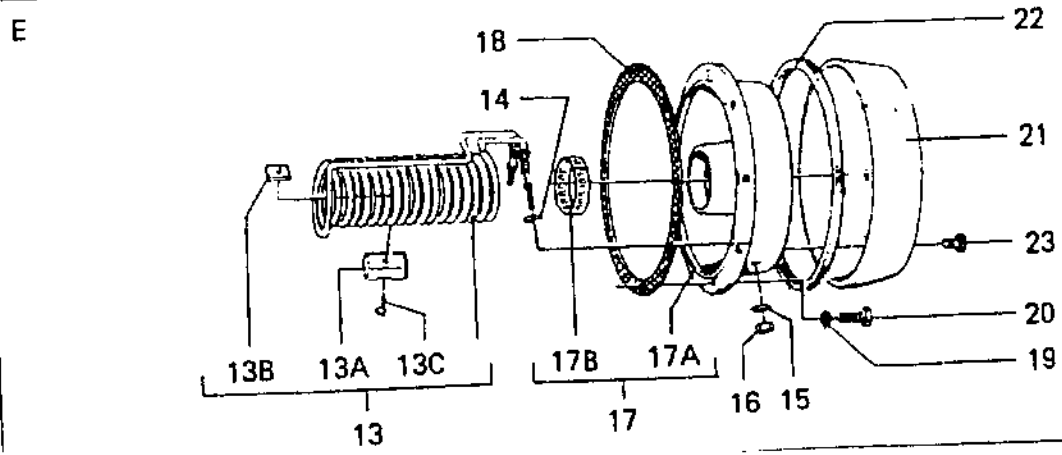
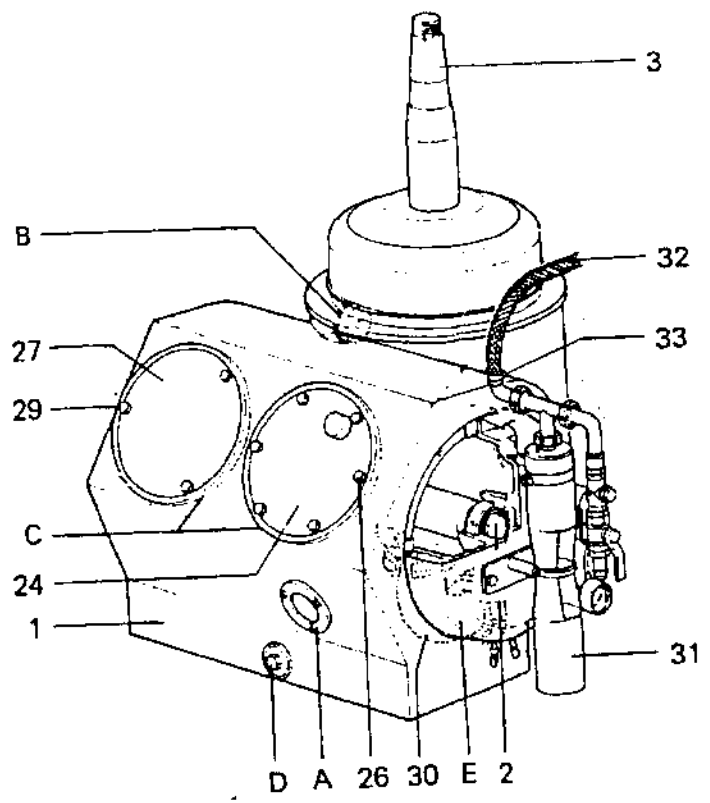
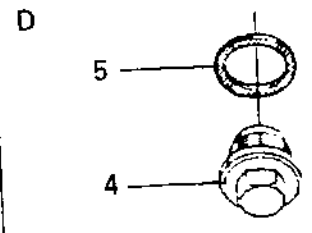
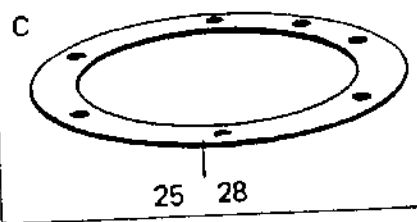
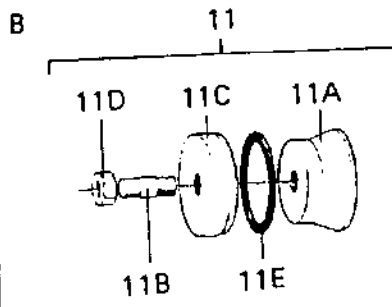
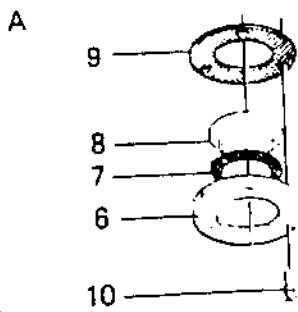


0343C

Machine type H MRPX/W MRPX 714HGV-74C	Machine unit description Separator bowl	Page <b>310-1</b>
	Subassembly description	Fig. ref. 343C
		Date 89-08

Ref.	Part No	Description	Machine unit No or Subassembly No / Qty								Notes
			546822 09								
1	543672 81	Bowl body .....	1	-	-	-	-	-	-	-	■
2	538124 07	Nozzle .....	1								
3	543343 01	Gasket .....	1								
4	529608 01	Sleeve with wings .....	1								
5	221131 03	Screw .....	3								
6	543422 01	Rectangular ring .....	1								
7	540742 01	Valve plug .....	3								
8	543673 02	Operating slide .....	1	-	-	-	-	-	-	-	■
9	546825 80	Plug .....	2								
10	226214 27	Spring .....	18								
11	543690 81	Spring support .....	1	-	-	-	-	-	-	-	■
12	221726 31	Screw .....	6								
13	74722	Rectangular ring .....	1								
14	541917 04	Sliding bowl bottom .....	1								
15	223412 12	O-ring .....	1								
16	543699 81	Distributing cone .....	1	-	-	-	-	-	-	-	■
17	542182 01	Cap nut .....	1								
18	223406 64	O-ring .....	1								
19	223406 58	O-ring .....	1								
20	545769 02	Sleeve with wings .....	1								
21	543700 02	Distributor .....	1	-	-	-	-	-	-	-	■
22	541487 86	Bottom disc .....	1								
24	541487 80	Bowl disc .....	87								
25	541487 84	Bowl disc .....	5								
26	541487 80	Bowl disc .....	85								
27	541487 80	Bowl disc .....	3	-	-	-	-	-	-	-	3)
28	541487 84	Bowl disc .....	5								
29	540494 02	Top disc .....	1	-	-	-	-	-	-	-	■
30	74355	O-ring .....	1								
31	544130 01	Seal ring .....	1								
32	537874 03	Bowl hood .....	1	-	-	-	-	-	-	-	■
33	67566	O-ring .....	1								
34	543708 02	Lock ring .....	1	-	-	-	-	-	-	-	■
35	529799 08	Rectangular ring .....	1								
36	519164 01	Lock ring .....	1								
99	537086 02	Molybdenum disulfide past .....									

- Utbyte nödvändiggör ombalansering av kulan. Exchange necessitates rebalancing of bowl. Austausch erfordert Wiederauswuchtung der Trommel. L'échange nécessite le rééquilibrage du bol. El cambio hace necesario un nuevo equilibrado del rotor. La sostituzione comporta la riequilibratura del tamburo. A substituição exige o reequilíbrio do rotor. Vaihdettaessa kuula tasapainoitettava uudelleen.
- 3) Sänds separat. Sent separately. Wird separat gesandt. Envoyé séparément. Envío por separado. Inviato separatamente. Remessa separadamente. Lähetetään erikseen.

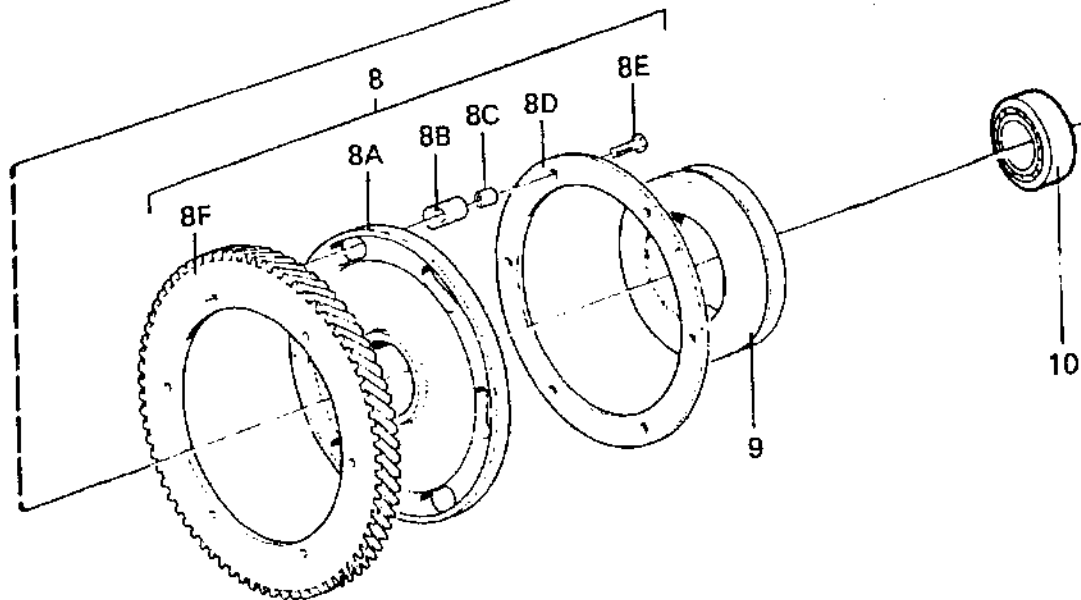
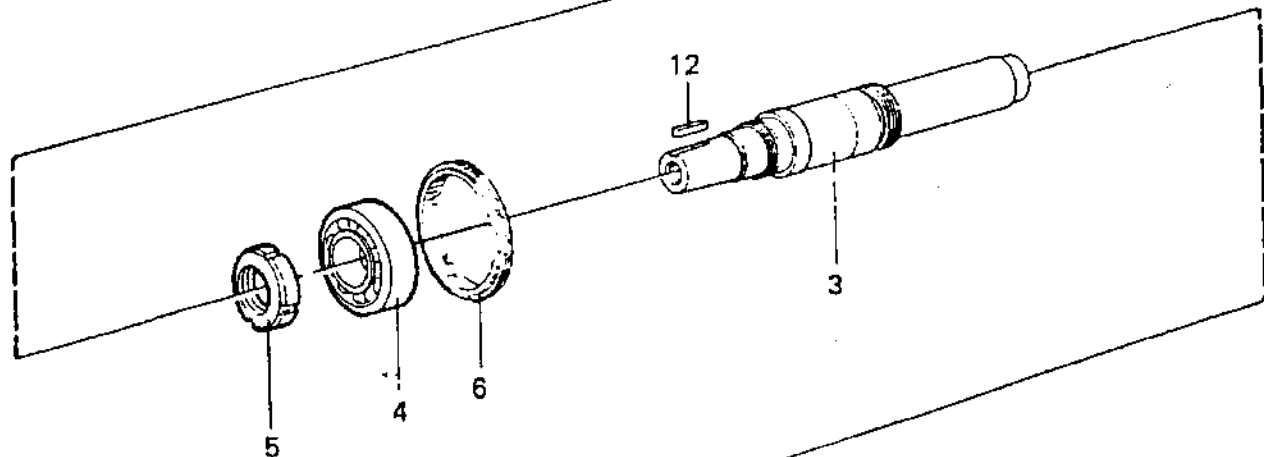
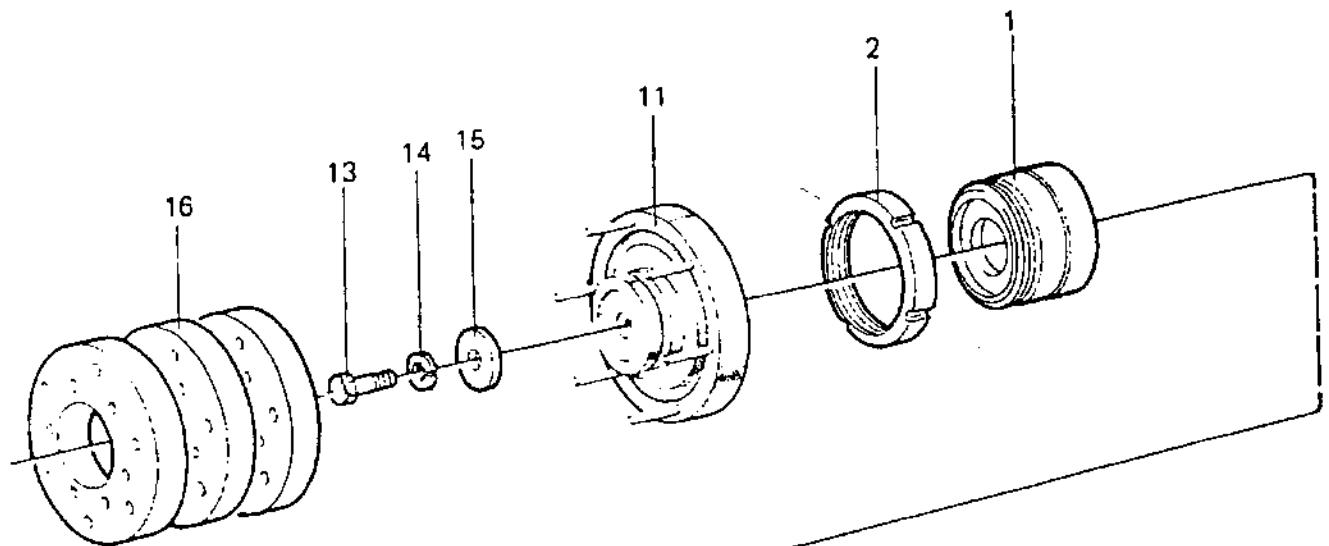


631D

Machine type H MRPX/W MRPX 714HGV-74C	Machine unit description Machine bottom part
	Subassembly description

Page <b>400-1</b>
Fig. ref. 631D
Date 89-08

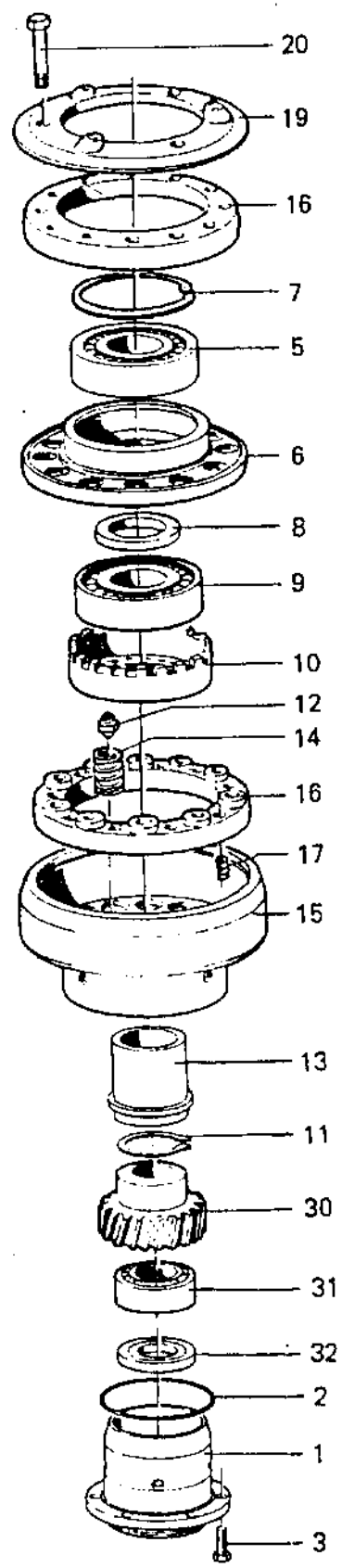
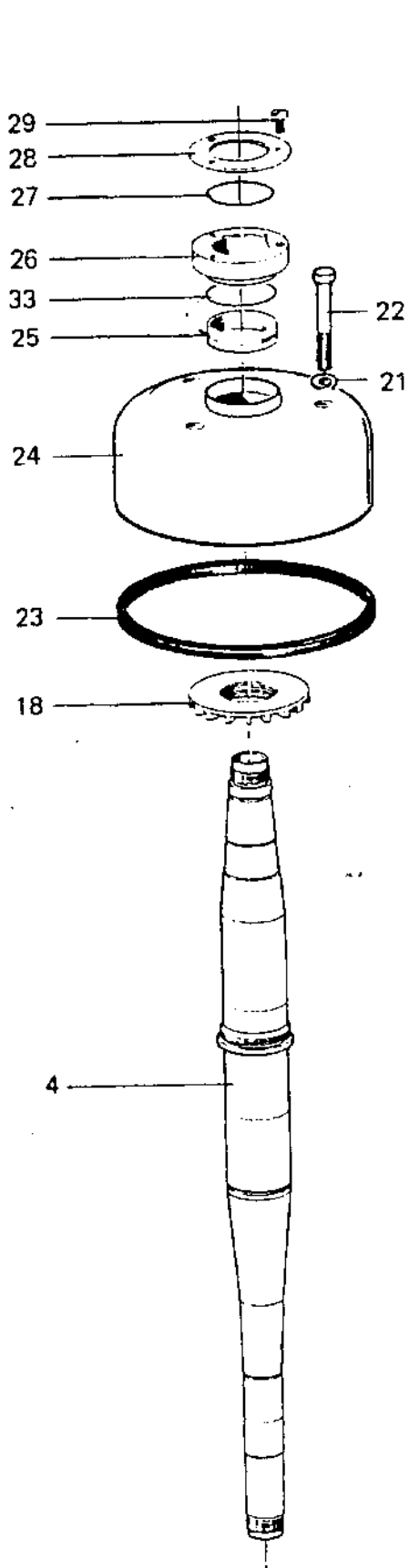
Ref.	Part No	Description	Machine unit No or Subassembly No / Qty							Notes
			546271 07	546271 08						
1	541901 80	Frame bottom part .....	1	1						
2	546423 84	Driving device horizontal .....	1	-	-	-	-	-	-	SEE PAGE 400-1.1
2	546423 85	Driving device horizontal .....	-	1	-	-	-	-	-	SEE PAGE 400-1.1
3	546800 80	Driving device vertical .....	-	1	-	-	-	-	-	SEE PAGE 400-1.2
3	546800 82	Driving device vertical .....	1	-	-	-	-	-	-	SEE PAGE 400-1.2
4	526189 01	Drain screw .....	1	1						
5	223316 05	Rectangular ring .....	1	1						
6	523215 02	Fixing plate .....	1	1						
7	37167	Rectangular ring .....	1	1						
8	38685	Glass disc .....	1	1						
9	528723 01	Gasket .....	1	1						
10	221131 08	Screw .....	3	3						
11	544000 80	Plug for ventilation hole .....	1	1						
11A	541940 01	.Thrust disc .....	1	1						
11B	260166 04	.Stud bolt .....	1	1						
11C	544001 01	.Washer .....	1	1						
11D	221803 21	.Nut .....	1	1						
11E	2 234121 38	.O-ring .....	1	1						
13	534126 83	Cooling coil .....	1	1						
13A	534127 01	.Magnet .....	1	1						
13B	534128 01	.Washer .....	1	1						
13C	260250 05	.Screw .....	1	1						
14	73665	Rectangular ring .....	2	2						
15	223101 37	Washer .....	2	2						
16	221803 40	Nut .....	2	2						
17	543494 80	Bearing shield .....	1	1						
17A	543494 01	.Bearing shield .....	1	1						
17B	545063 03	.Tolerance ring .....	1	1						
18	43626	Gasket .....	1	1						
19	223101 61	Washer .....	8	8						
20	221041 01	Screw .....	8	8						
21	528709 01	Guard .....	1	1						
22	43630	Seal strip .....	1	1						
23	221041 20	Screw .....	2	2						
24	528753 85	Worm wheel guard .....	1	1	-	-	-	-	-	SEE PAGE 400-1.3
25	528732 01	Gasket .....	1	1						
26	221041 20	Screw .....	6	6						
27	535336 81	Remote control brake .....	1	1	-	-	-	-	-	SEE PAGE 400-1.4
28	528732 01	Gasket .....	1	1						
29	221041 20	Screw .....	3	3						
30	546657 81	Feed device .....	1	1	-	-	-	-	-	SEE PAGE 400-1.5
31	545107 81	Operating water module .....	1	1	-	-	-	-	-	SEE PAGE 400-1.6
32	544779 01	Hose .....	1	1						
33	42174	Hose clip .....	2	2						



<b>MACHINE TYPE</b>	Machine unit description
H MRPX/W MRPX 714HGV-74C	Machine bottom part
	Subassembly description
	Driving device horizontal

Page <b>400-1.1</b>
Fig. ref. 85G
Date 89-08

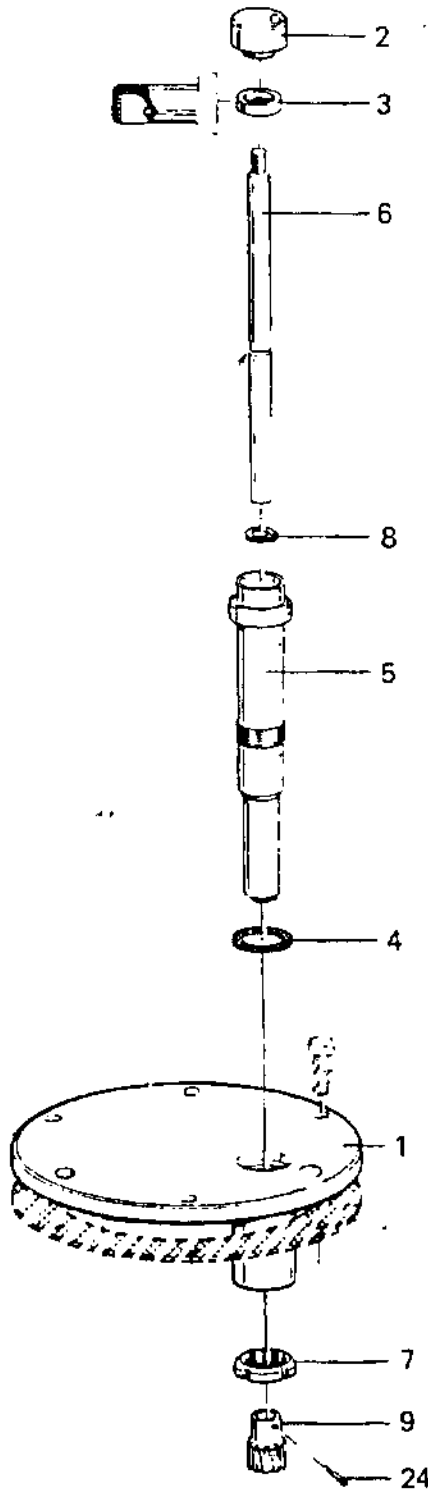
Ref.	Part No	Description	Machine unit No or Subassembly No / Qty						Notes
			546423 84	546423 85					
1	544786 01	Bearing housing .....	1	1					
2	541985 01	Round nut .....	1	1					
3	546424 80	Worm wheel shaft .....	1	1					
4	233211 94	Ball bearing .....	1	1					
5	67478	Round nut .....	1	1					
6	544789 01	Lock ring .....	1	1					
8	545803 86	Worm wheel .....	-	1	-	-	-	-	60 Hz
8	545803 88	Worm wheel .....	1						
8A	545705 02	.Nave .....	1	1					
8B	545704 01	.Buffer .....	6	6					
8C	545703 01	.Sleeve .....	6	6					
8D	545706 01	.Ring .....	1	1					
8E	221036 20	.Screw .....	6	6					
8F	545725 08	.Gear rim .....	-	1					
8F	545725 10	.Gear rim .....	1						
9	541988 01	Clamp element .....	1	1					
10	8379	Ball bearing .....	1	1					
11	544783 80	Coupling disc .....	1	1					
12	223610 32	Flat key .....	1	1					
13	260001 39	Screw .....	1	1					
14	223107 28	Spring washer .....	1	1					
15	541991 01	Washer .....	1	1					
16	60571	Elastic plate .....	3	3					



Machine type	Machine unit description
H MRPX/W MRPX 714HGV-74C	Machine bottom part
	Subassembly description
	Driving device vertical

Page <b>400-1.2</b>
Fig. ref. 331B
Date 89-08

Ref.	Part No	Description	Machine unit No or Subassembly No / Qty						Notes
			546800 80	546800 82					
1	546607 01	Bottom bearing housing .....	1	1					
2	223406 17	O-ring .....	1	1					
3	221721 12	Screw .....	6	6					
4	546804 01	Bowl spindle .....	1	1					
5	233211 72	Ball bearing .....	1	1					
6	542451 02	Ball bearing housing .....	1	1					
7	223642 49	Snap ring .....	1	1					
8	533415 01	Spacing sleeve .....	1	1					
9	233215 03	Ball bearing .....	1	1					
10	542450 02	Bearing housing .....	1	1					
11	223641 01	Snap ring .....	1	1					
12	538129 01	Guide pin .....	12	12					
13	543318 01	Sleeve .....	1	1					
14	260083 41	Compression spring .....	12	12					
15	542452 02	Top bearing support .....	1	1					
16	529639 02	Rubber buffer .....	2	2					
17	70714	Spring .....	12	12					
18	542026 02	Oil fan .....	1	1					
19	542027 02	Top bearing cover .....	1	1					
20	221045 35	Screw .....	3	3					
21	541453 05	Usit-ring .....	3	3					
22	221046 16	Screw .....	3	3					
23	516714 05	Rectangular ring .....	1	1					
24	543179 01	Guard .....	1	1					
25	544271 01	Seal ring .....	1	1					
26	544272 01	Protecting collar .....	1	1					
27	223412 18	O-ring .....	1	1					
28	543188 01	Protecting plate .....	1	1					
29	221131 07	Screw .....	3	3					
30	541661 01	Worm .....	1	-	-	-	-	-	50 Hz
30	541661 05	Worm .....	-	1					
31	69843	Ball bearing .....	1	1					
32	546601 01	Protecting collar .....	1	1					
33	223406 36	O-ring .....	1	1					

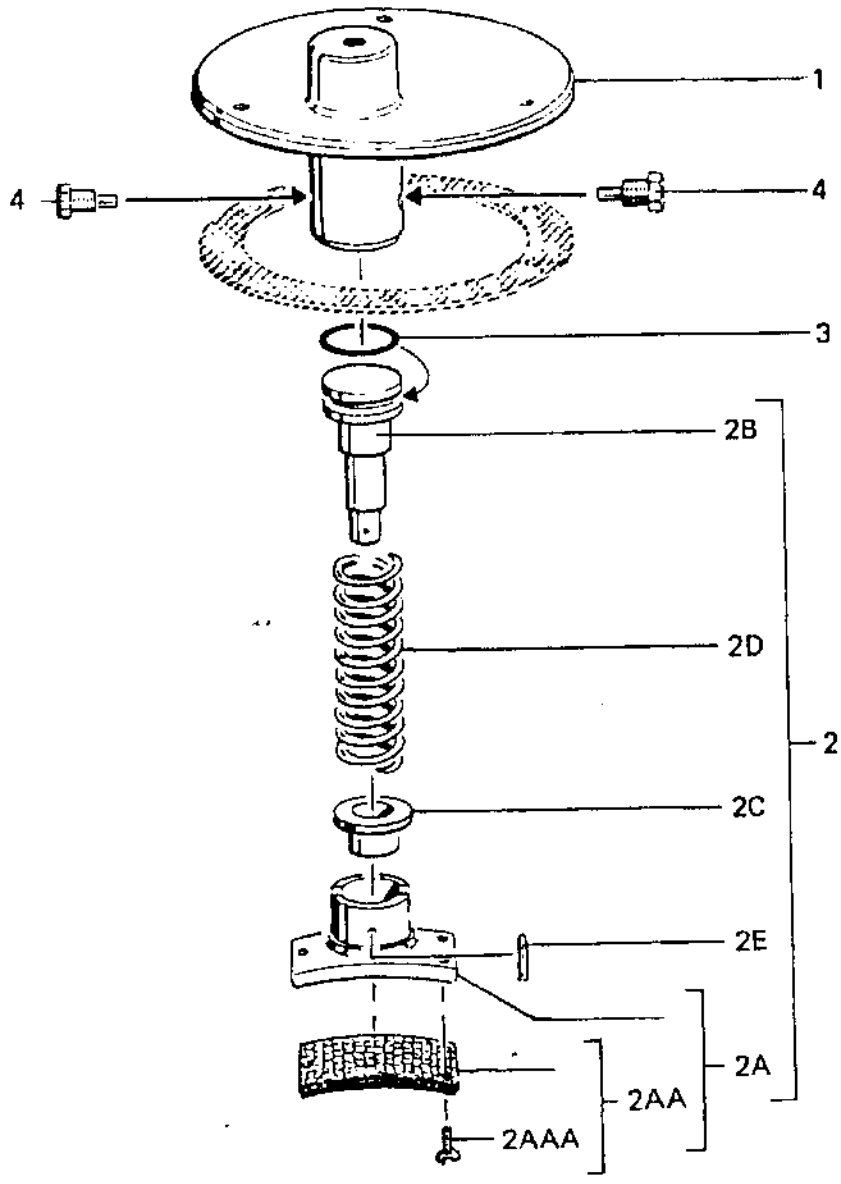


0737A

Machine type H MRPX/W MRPX 714HGV-74C	Machine unit description Machine bottom part
	Subassembly description Worm wheel guard

Page <b>400-1.3</b>
Fig. ref. 737A
Date 89-08

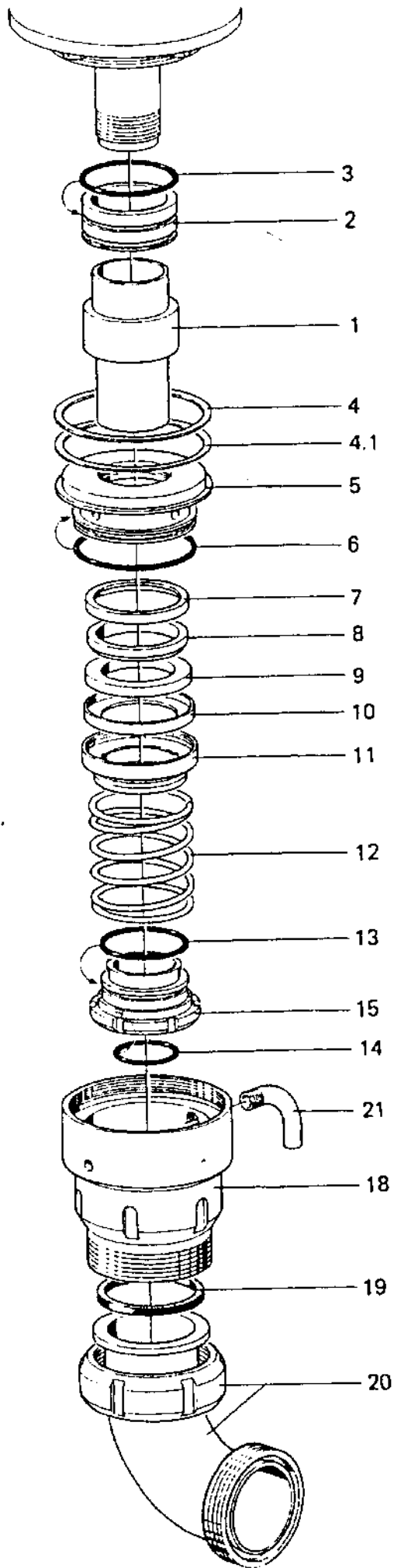
Ref.	Part No	Description	Machine unit No or Subassembly No / Qty							Notes
			528763	85						
1	544165 02	Worm wheel guard .....	1							
2	526694 03	Protecting collar .....	1							
3	223521 08	Seal ring .....	1							
4	223434 02	Rectangular ring .....	1							
5	528743 01	Bushing .....	1							
6	526693 04	Shaft .....	1							
7	67473	Round nut .....	1							
8	67542	Snap ring .....	1							
9	69214	Gear wheel .....	1							
24	69226	Taper pin .....	1							



Machine type H MRPX/W MRPX 714HGV-74C	Machine unit description Machine bottom part
	Subassembly description Remote control brake

Page <b>400-1.4</b>
Fig. ref. 738A
Date 89-08

Ref.	Part No	Description	Machine unit No or Subassembly No / Qty							Notes
			535336	81						
1	544788 80	Protecting cover .....	1							
2	535201 83	Brake shoe .....	1							
2A	537602 86	.Brake shoe .....	1							
2AA	310637 84	..Friction pad .....	1							
2AAA	8341	...Screw .....	3							
2B	535202 01	.Piston rod .....	1							
2C	535206 01	.Gland .....	1							
2D	226214 83	.Spring .....	1							
2E	67960	.Slotted pin .....	1							
3	223406 27	O-ring .....	1							
4	535207 01	Stop screw .....	2							



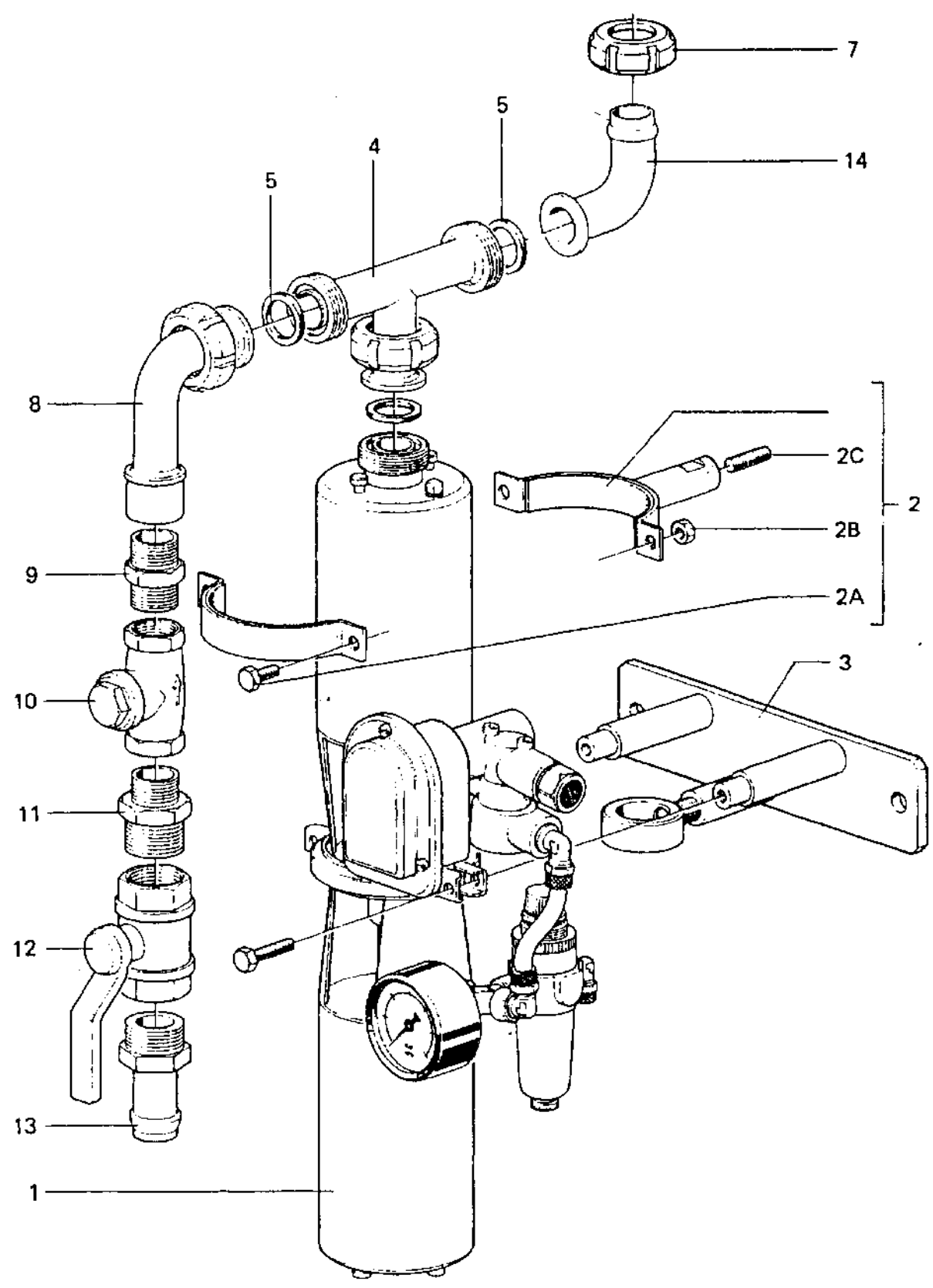
728A

0728A

Machine type H MRPX/W MRPX 714HGV-74C	Machine unit description Machine bottom part
	Subassembly description Feed device

Page <b>400-1.5</b>
Fig. ref. 728A
Date 89-08

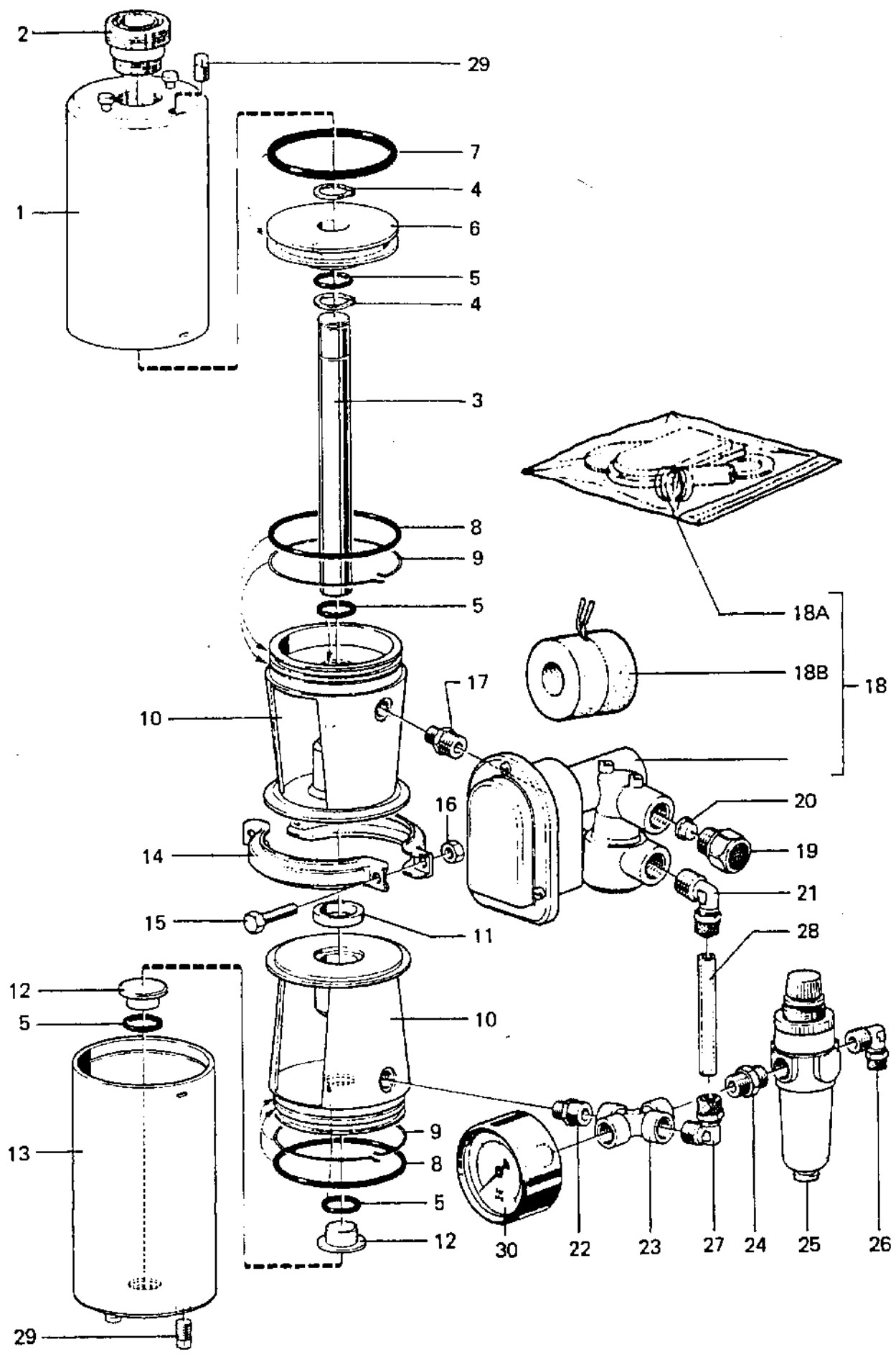
Ref.	Part No	Description	Machine unit No or Subassembly No 7-Qty							Notes
			546657	81						
1	546636 01	Sleeve .....	1							
2	546635 01	Radiation ring .....	1							
3	223406 15	O-ring .....	1							
4	546637 01	Height adjusting ring .....	3	-	-	-	-	-	-	- T = 1.0 mm
4.1	546637 02	Height adjusting ring .....	1	-	-	-	-	-	-	- T = 0.5 mm
5	546610 01	Intermediate part .....	1							
6	223406 14	O-ring .....	1							
7	540829 05	Gasket .....	1							
8	541648 05	Seal ring .....	1							
9	541649 06	Wear ring .....	1							
10	540829 06	Gasket .....	1							
11	541650 01	Holder for wear ring .....	1							
12	545499 02	Compression spring .....	1							
13	260104 79	O-ring .....	1							
14	223406 58	O-ring .....	1							
15	546450 01	Guide sleeve .....	1							
18	546655 01	Inlet housing .....	1							
19	190605	Rectangular ring .....	1							
20	191033	Elbow pipe .....	1							
21	545461 01	Tube bend .....	1							



Machine type H MRPX/W MRPX 714HGV-74C	Machine unit description Machine bottom part
	Subassembly description Operating water module

Page <b>400-1.6</b>
Fig. ref. 5728
Date 89-08

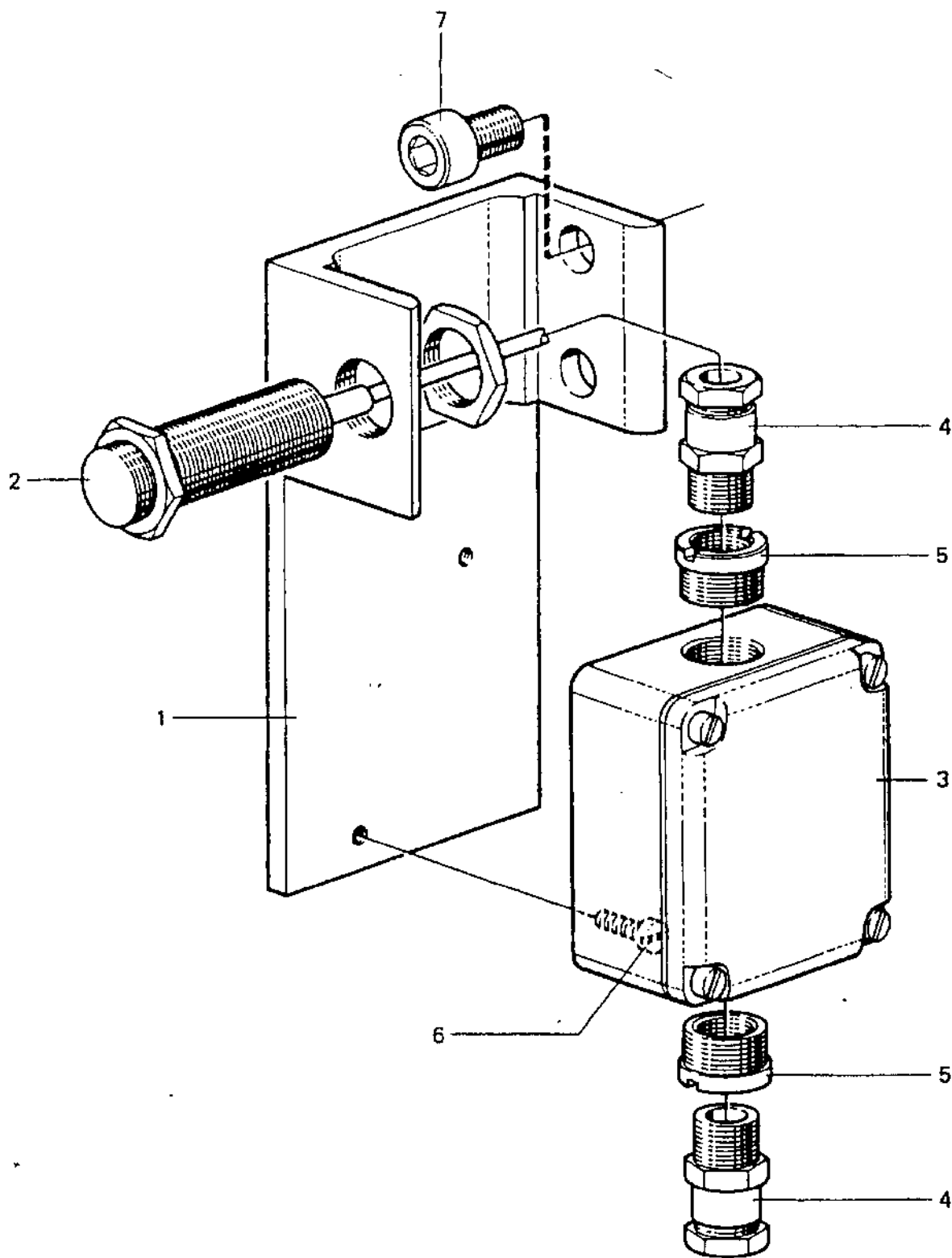
Ref.	Part No	Description	Machine unit No -or Subassembly No / Qty							Notes
			545107 81							
1	545094 80	Operating water module .....	1	-	-	-	-	-	-	SEE PAGE 400-1.6.1
2	545113 81	Support .....	1							
2A	221036 01	.Screw .....	2							
2B	221803 21	.Nut .....	2							
2C	260202 02	.Stud bolt .....	1							
3	544968 81	Support .....	1							
4	544592 81	T-piece .....	1							
5	190601	Rectangular ring .....	3							
7	190613	Coupling nut .....	1							
8	544593 80	Elbow pipe .....	1							
9	543953 02	Nipple .....	1							
10	550675 01	Check valve .....	1							
11	545070 03	Reducing male part .....	1							
12	526826 06	Ball valve .....	1							
13	528920 07	Hose nipple .....	1							
14	191603	Hose liner .....	1							



Machine type H MRPX/W MRPX 714HGV-74C	Machine unit description Machine bottom part
	Subassembly description Operating water module

Page <b>400-1.6.1</b>
Fig. ref. 569A
Date 89-08

Ref.	Part No	Description	Machine unit No or Subassembly No / Qty						Notes
			545094 80						
1	545095 01	Cylinder .....	1						
2	544587 01	Nipple .....	1						
3	545097 01	Piston rod .....	1						
4	519975 04	Snap ring .....	2						
5	223406 25	O-ring .....	4						
6	547197 01	Piston .....	1						
7	223401 74	O-ring .....	1						
8	223406 67	O-ring .....	2						
9	31353 0151 1	Lock wire .....	2						
10	545096 01	Intermediate part .....	2						
11	545098 01	Washer .....	1						
12	545082 01	Plug .....	2						
13	31353 0139 1	Cylinder .....	1						
14	544611 02	Clamp half .....	2						
15	221036 20	Screw .....	2						
16	221803 21	Nut .....	2						
17	545070 02	Reducing male part .....	1						
18	550604 01	Solenoid valve .....	1						
18A	550604 02	Set of spares sol.valve .....	1						
18B	550073 05	Coil .....	1						
19	544599 01	Silencer .....	1						
20	544900 01	Throttling washer .....	1						
21	31801 1440 6	Elbow coupling .....	1						
22	545070 01	Reducing male part .....	1						
23	544595 01	Cross-tube .....	1						
24	543953 01	Nipple .....	1						
25	770120 05	Pressure regulator .....	1						
26	31801 1440 2	Elbow coupling .....	1						
27	31801 1440 5	Elbow coupling .....	1						
28	537595 07	Hose .....	1						
29	544990 01	Plug .....	2						
30	543054 05	Pressure gauge .....	1						

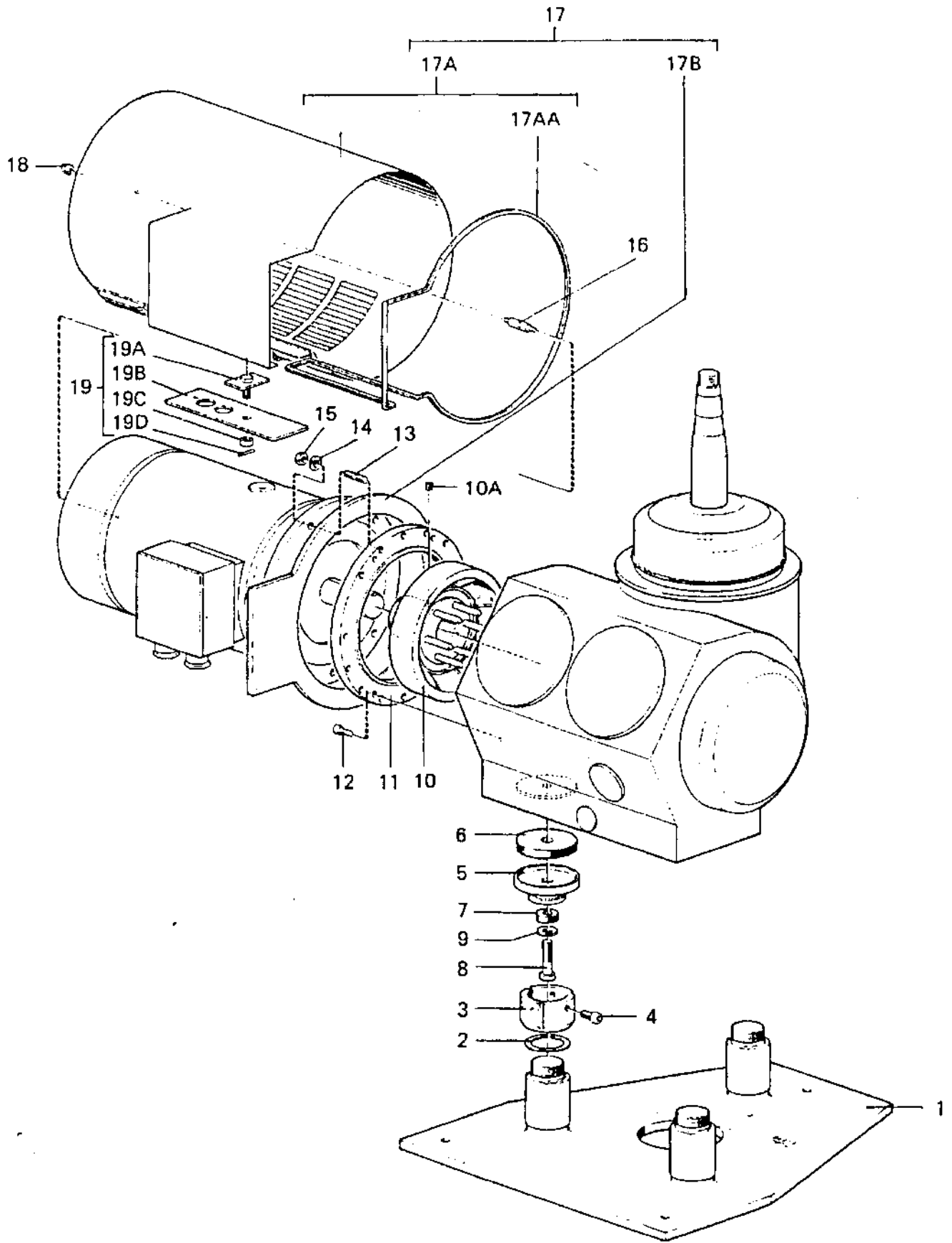


0724A

Machine type H MRPX/W MRPX 714HGV-74C	Machine unit description Speed sensor
	Subassembly description

Page <b>500-1</b>
Fig. ref. 724A
Date 89-08

Ref.	Part No	Description	Machine unit No. or Subassembly No / Qty						Notes
			546530 83						
1	546531 01	Support .....	1						
2	551847 01	Speed transmitter .....	1						
3	542267 01	Junction box .....	1						
4	529910 01	Seal sleeve .....	2						
5	539505 03	Reducing socket .....	2						
6	221120 27	Screw .....	2						
7	221721 37	Screw .....	2						





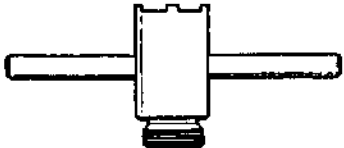

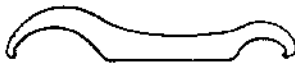
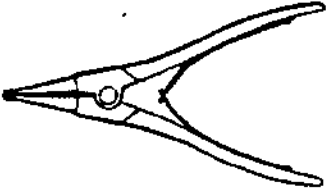
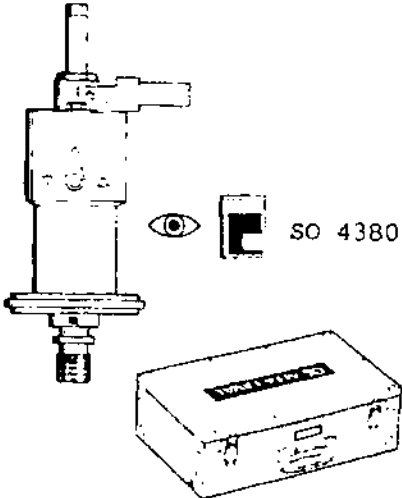






0586A

Machine type H MRPX/W MRPX 714HGV-74C	Machine unit description Parts for motor mounting
	Subassembly description

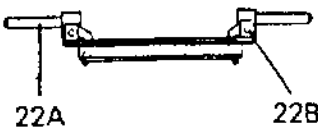
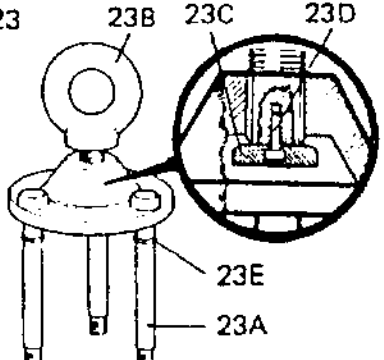





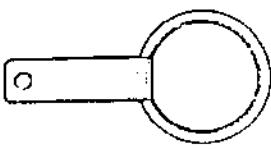





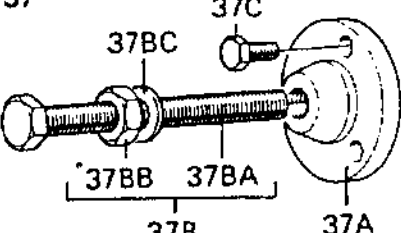
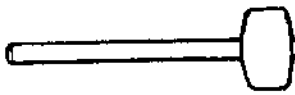
Page <b>600-1</b>
Fig. ref. 586A
Date 89-08

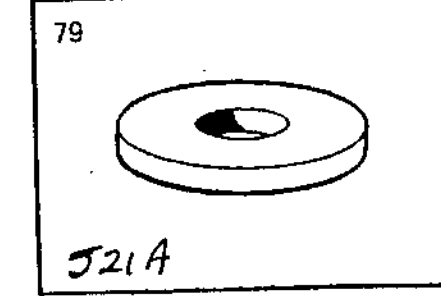
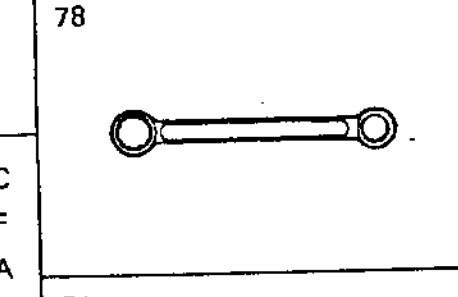
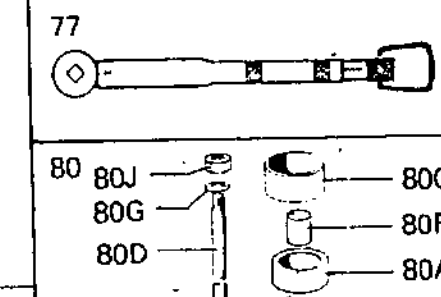
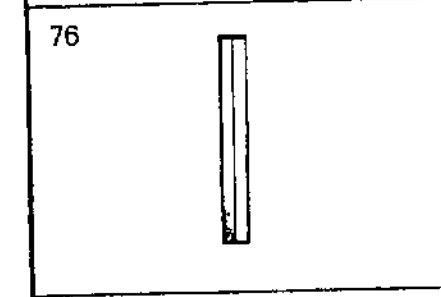
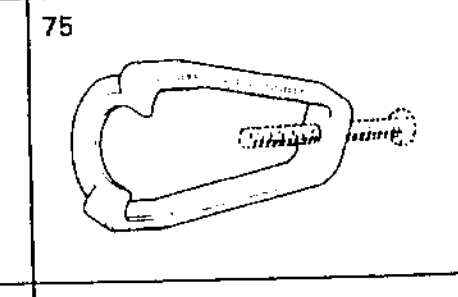
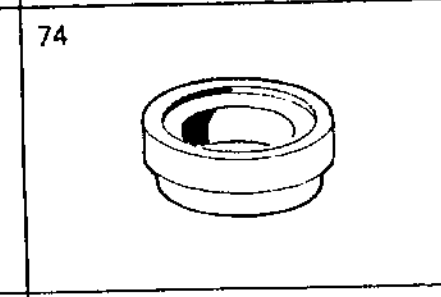
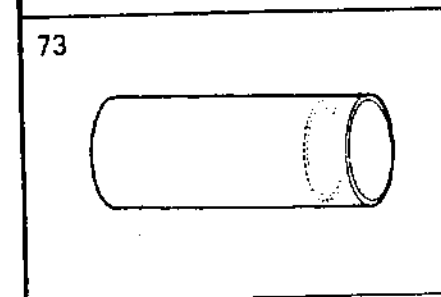
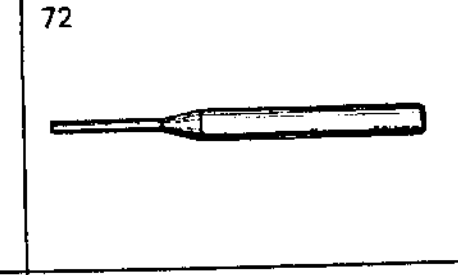
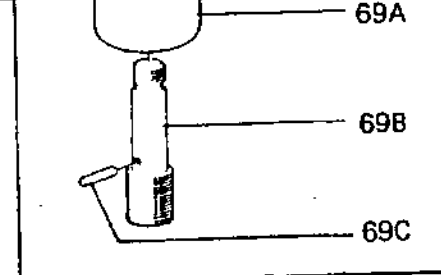
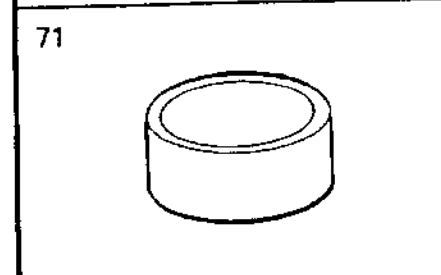
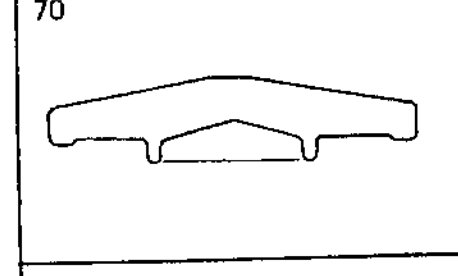
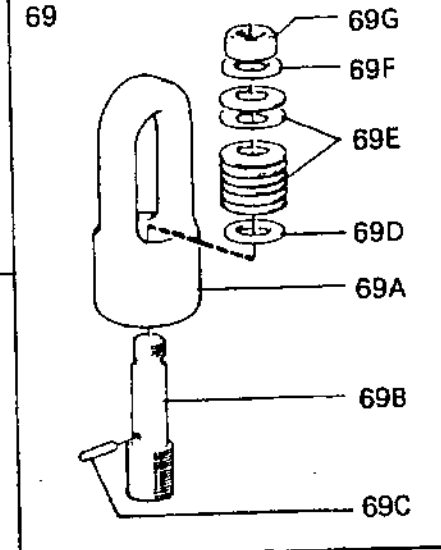
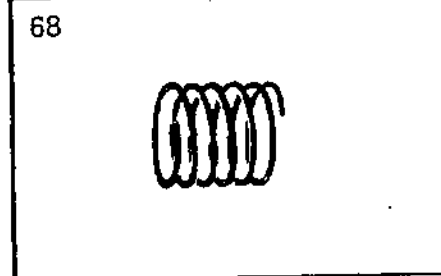
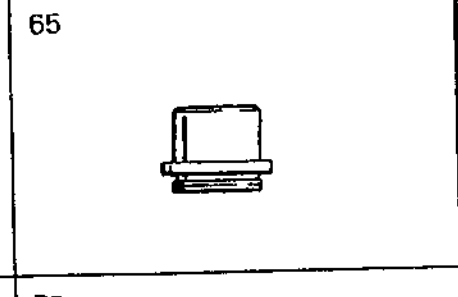
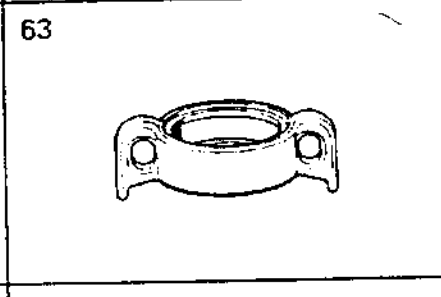
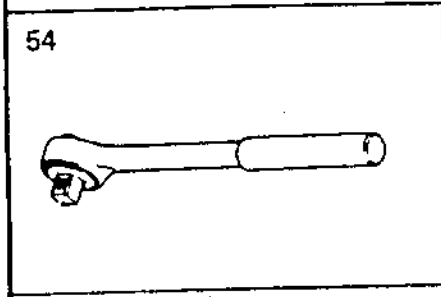
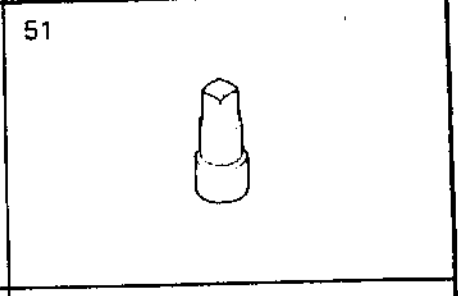
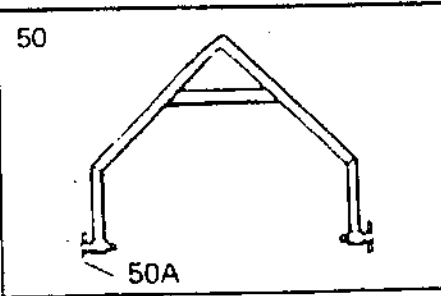
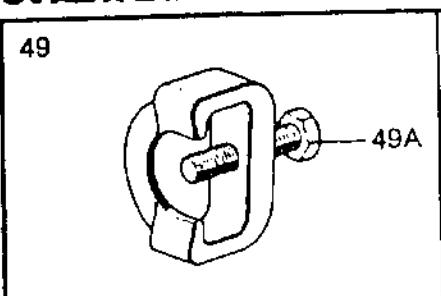
Ref.	Part No	Description	Machine unit No or Subassembly No / Qty								Notes
			546093 01								
1	543688 80	Foundation plate .....	1	-	-	-	-	-	-	-	3)
2	785332 02	Adjusting washer .....	18	-	-	-	-	-	-	-	3)
3	528729 02	Holder .....	3	-	-	-	-	-	-	-	3)
4	221731 11	Screw .....	9	-	-	-	-	-	-	-	3)
5	526186 02	Frame foot .....	3								
6	528738 02	Rubber cushion .....	3								
7	65235	Rectangular ring .....	3								
8	260001 21	Screw .....	3								
9	223142 04	Washer .....	3								
10	544782 80	Brake pulley .....	1								
10A	221581 74	Screw .....	1								
11	544781 02	Motor adapter .....	1								
12	221726 09	Screw .....	6								
13	260176 01	Stud bolt .....	6								
14	70490	Washer .....	6								
15	221803 34	Nut .....	6								
16	544790 01	Spacing pin .....	1								
17	544057 81	Guard .....	1	-	-	-	-	-	-	-	3)
17A	544057 80	Guard .....	1	-	-	-	-	-	-	-	NOT SPARE PART
17AA	43631	Seal strip .....	2								
17B	543775 81	Guide ring .....	1								
18	221851 11	Cap nut .....	1								
19	543776 81	Covering plate f prot cap .....	1	-	-	-	-	-	-	-	3)

3) Sänds separat. Sent separately. Wird separat gesandt. Envoyé séparément.  
Envío por separado. Inviato separatamente. Remessa separadamente. Lähetetään erikseen.

1	2	3 
4	5 	6 
7 	8 	9
10 	11 	12
13	15 	16 
17	18 	19 
20 	21 	22

0521A 521A

<p>22</p>  <p>22A 22B</p>	<p>23</p>  <p>23B 23C 23D 23E 23A</p>	<p>24</p> 
<p>25</p> 	<p>26</p> 	<p>27</p>
<p>28</p> 	<p>29</p> 	<p>30</p> 
<p>31</p>	<p>32</p> 	<p>33</p> 
<p>34</p> 	<p>35</p> 	<p>36</p> 
<p>37</p>  <p>37BC 37C 37BB 37BA 37B 37A</p>	<p>38</p>	<p>39</p>
<p>40</p> <p>S21A</p>	<p>41</p>	<p>42</p> 



J21A

Machine type H MRPX/W MRPX 714HGV-74C	Machine unit description Set of tools
	Subassembly description

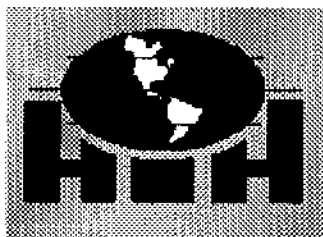
Page <b>700-1A</b>
Fig. ref. 521A + +
Date 89-08

Ref.	Part No	Description	Machine unit No. or Subassembly No. / Qty							Notes
			537687 03							
3	531296 81	Driving-off tool .....	1							
5	541647 02	Dism.drift f.seal ring .....	1							
6	542181 80	Lifting and mounting tool .....	1							
7	72978	Socket .....	1							- 11 mm
7	527353 09	Socket wrench sleeve .....	1							- 30 mm
7	527353 17	Socket wrench sleeve .....	1							
8	69696	Hook spanner .....	1							
10	42386	Mounting tongs .....	1							
11	543135 06	Compressing tool .....	1							
15	72243	T-handle .....	1							
16	72244	Extension rod .....	1							- L = 255 mm
16	527348 01	Extension rod .....	1							- L = 125-150 mm
18	527353 05	Socket wrench sleeve .....	1							- 18 mm
19	73085	Socket wrench sleeve .....	1							- 24 mm
21	75420	Socket for socket spanner .....	1							- 13 mm
22	528380 85	Lifting tool .....	1							
22A	71405	.Slotted pin .....	2							
22B	67782	.Cylindrical pin .....	2							
23	543307 81	Lifting tool f.bowl body .....	1							
23A	544088 02	.Screw .....	3							
23B	543309 01	.Lifting eye .....	1							
23C	543310 01	.Washer .....	1							
23D	221711 02	.Screw .....	1							
23E	68372	.Snap ring .....	3							
24	530313 02	Plug .....	1							
25	70844	Lifting tool .....	1							- M45X3
25	540131 02	Lifting tool .....	1							- M42X1.5
26	545533 02	Lifting tool .....	1							
28	66445	Mounting tongs .....	1							
29	543346 01	Spanner .....	1							
30	539917 80	Spanner for lock ring .....	1							
32	545935 01	Lifting eye bolt .....	2							- M16
33	546855 01	Ring .....	1							
34	543550 01	Ring .....	1							
35	543551 01	Ring .....	1							
36	543552 01	Mounting tool .....	1							
37	543553 80	Dismounting tool .....	1							
37A	543554 01	.Washer .....	1							
37B	537464 84	.Mounting tool .....	1							
37BA	260001 42	..Screw .....	1							
37BB	544275 01	..Nut .....	1							
37BC	223101 52	..Washer .....	1							
37C	221045 09	.Screw .....	3							- L=30mm
42	64324	Tin hammer .....	1							
49	545756 80	Puller .....	1							
49A	260001 41	.Screw .....	1							
50	528350 81	Reversing tool .....	1							
50A	528352 81	.Screw with handle .....	2							
51	260164 03	Hexagon socket spanner .....	1							- 8 mm
51	260164 06	Hexagon socket spanner .....	1							- 14 mm
54	260161 01	Ratchet handle .....	1							
63	545530 02	Lifting ring for bowl h. ....	1							
65	540610 01	Centering tool .....	1							
68	36954	Spring .....	1							

Machine type	Machine unit description
H MRPX/W MRPX 714HGV-74C	Set of tools
	Subassembly description

Page  
**700-1B**  
 Fig. ref.  
 521A + +  
 Date  
 89-08

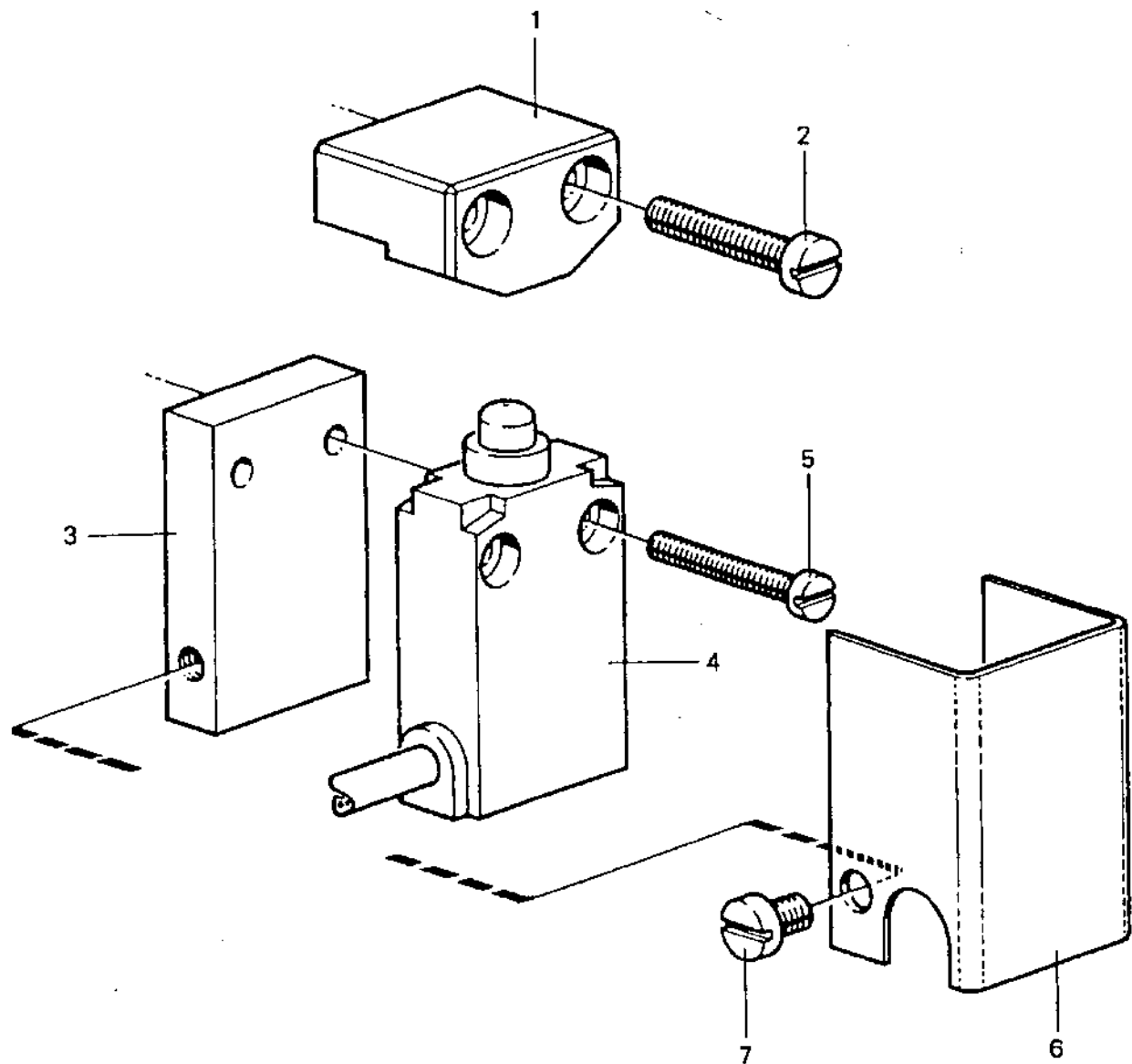
Ref.	Part No	Description	Machine unit No or Subassembly No / Qty							Notes
			537687 03							
69	545537 80	Lifting tool f.distribut. ....	1							
69A	545531 02	.Lifting stirrup .....	1							
69B	545536 01	.Lifting pin .....	1							
69C	222116 41	.Slotted pin .....	1							
69D	223101 64	.Washer .....	1							
69E	226314 27	.Belleville washer .....	14							
69F	223101 64	.Washer .....	1							
69G	221803 23	.Nut .....	1							
70	544264 01	Pressura washer .....	1							
71	544273 01	Sleeve .....	1							
72	544372 01	Drift .....	1							
73	544288 01	Tube .....	1							
74	544261 01	Ring .....	1							
75	544302 02	Puller .....	1							
76	521196 16	Socket spanner .....	1	-	-	-	-	-	-	36 mm
77	544371 01	Torque wrench .....	1							
78	528905 08	Ring spanner .....	1							
79	537441 01	Washer .....	1							
80	545540 80	Mount and dismount tool .....	1							
80A	545547 01	.Ring .....	1							
80B	545541 01	.Plate lower .....	1							
80C	545546 01	.Sleeve .....	1							
80D	545544 01	.Bar .....	3							
80E	545545 01	.Support ring .....	1							
80F	545548 01	.Intermediate part .....	1							
80G	68372	.Snap ring .....	3							
80H	545543 01	.Washer .....	1							
80I	545542 01	.Plate upper .....	1							
80J	221803 35	.Nut .....	3							
81	545529 80	Pin spanner .....	1							



## **Hutchison-Hayes Separators, Inc.**

**This is a Spacer Page**

**P.O. Box 2965 ♦ Houston, Texas 77252**  
**3520 East Belt ♦ Houston, Texas 77015**  
**(713) 455-9600 ♦ Fax (713) 455-7753**



Safety regulation according to the laws of the Federal Republic of Germany.

Säkerhetsbestämmelse enligt västtysk lag.

Sicherheitsvorschrift laut Gesetz der Bundesrepublik Deutschland.

Prescription de sécurité selon la loi ouest-allemande.

Normas de seguridad de acuerdo con las leyes de la República Federal de Alemania.

Правила по технике безопасности Западной Германии.

Norme di sicurezza secondo la legge della Repubblica Federale Tedesca.

Regulamentos de segurança de acordo com as leis da República Federal da Alemanha.

Turvallisuusmääräys länsisaksalaisen lain mukaan.

Machine type H MRPX/W MRPX 714HGV-74C	Machine unit description Lock switch
	Subassembly description

Page <b>800-1</b>
Fig. ref. 751A
Date 89-08

Ref.	Part No	Description	Machine unit No or Subassembly No / Qty							Notes
			546400	80						
1	546402 01	Lock switch actuator .....	1							
2	221126 56	Screw .....	2							
3	546401 01	Support .....	1							
4	551337 01	Limit switch .....	1							
5	221121 52	Screw .....	2							
6	546403 01	Guard .....	1							
7	67844	Screw .....	2							