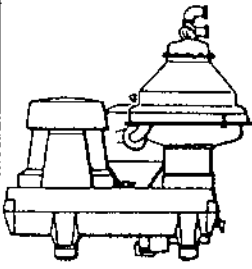


## **Hutchison-Hayes Separators, Inc.**

### **Model SSPX 417 Parts List With Diagrams**

**P.O. Box 2965 ♦ Houston, Texas 77252**  
**3520 East Belt ♦ Houston, Texas 77015**  
**(713) 455-9600 ♦ Fax (713) 455-7753**

		Machine top part Maskinöverdel	Separator bowl Separatorkula	Machine bottom part Maskinunderdel
Type denomination	Prod. No.	Machine Unit No.	Machine Unit No.	Machine Unit No.
BRPX 417SGV-31C	881008-01-00	538591-50/51/52	538558-80/81/82	537461-97/98
BRPX 417SGV-31CEGR	881008-02-00	538591-56/57/58	538568-86/87/88	537461-97/98
BRPX 417SFV-31C	881008-03-00	538594-80/81/82	538557-80/81/82	537461-97/98
BRPX 417XGV-11C	881008-05-00	537698-80	538206-80/81	537461-97/98
BRPX 417XGV-71C	881008-05-00	537698-80	538206-80/81	537461-97/98
SSPX 417XGV-11C	881008-06-01	537698-80	538206-83	537461-97/98
BRPX 417SFV-31C	881008-07-00	537697-80	538557-81	537461-97/98
BRPX 417SFV-31CG	881008-08-00	538594-80/81/82	538557-86/87/88	537461-97/98
BRPX 417SGV-31CG	881008-09-00	538591-50/51/52	538558-86/87/88	537461-97/98
BRPX 417SGV-31CL	881008-10-00	538591-71/72/73	538558-50/51/52	537461-97/98
BRPX 417SGV-31CGL	881008-11-00	538591-71/72/73	538558-53/54/55	537461-97/98
BRPX 417SFV-31CL	881008-12-00	538594-87/88/89	538557-94/95/96	537461-97/98
BRPX 417SFV-31CGL	881008-13-00	538594-87/88/89	538557-97/98/99	537461-97/98
BRPX 417SGV-31CGL	881008-15-00	538591-71/72/73	538558-53/54/55	537461-97/98
BRPX 417SFV-31CGL	881008-17-00	538594-87/88/89	538557-97/98/99	537461-97/98

Manuf. No.: .....

.....

.....

.....

Replaces  
Ersätter Book No. SPC SO 2194E.S

Book No. SPC SO 2304E.S - 11/77

Type denomination	Prod.No.	IM 50/60 539310-80/81	IMP 50/60 539268-80/81	Set panel components Panelkomponentsats IM 50/60 539292-81	DPE 152 539560-80/81	Operating water module Manövertättnmodul 539352-82/83	Set of tools I Verktygssats I 538292-80 538292-81	Set of tools II Verktygssats II 538866-80	Parts for motor mounting Delar för motormontering 537839-83	Calibration instrument Kalibreringsinstrument 539135-80
BRPX 417SGV-31C	881008-01-00	X	X	X	X	X		X	X	X
BRPX 417SGV-31CEGR	881008-02-00						X	X	X	
BRPX 417SFV-31C	881008-03-00	X	X	X	X	X		X	X	X
BRPX 417XGV-11C	881008-05-00	X	X	X	X	X		X	X	X
BRPX 417XGV-71C	881008-05-00	X	X	X	X	X		X	X	X
SSPX 417XGV-11C	881008-06-01	X	X	X	X	X		X	X	X
BRPX 417SFV-31C	881008-07-00	X	X	X	X	X		X	X	X
BRPX 417SFV-31CG	881008-08-00	X	X	X	X	X	X	X	X	X
BRPX 417SGV-31CG	881008-09-00	X	X	X	X	X	X	X	X	X
BRPX 417SGV-31CL	881008-10-00	X	X	X	X	X		X	X	X
BRPX 417SGV-31CGL	881008-11-00	X	X	X	X	X	X	X	X	X
BRPX 417SFV-31CL	881008-12-00	X	X	X	X	X		X	X	X
BRPX 417SFV-31CGL	881008-13-00	X	X	X	X	X	X	X	X	X
BRPX 417SGV-31CGL	881008-15-00	X	X	X	X	X	X	X	X	X
BRPX 417SFV-31CGL	881008-17-00	X	X	X	X	X	X	X	X	X

Mfr PN	HHSI PN	Description
190090-00	8148	END CAP
190604-00	7743	GASKET
190604-00	7743	GASKET
190611-00	6633	GASKET
190612-00	8149	GASKET
190612-00	8149	GASKET
190614-00	6523	NUT
190616-00	7072	NUT
190618-00	10247	NUT
190619-00	8147	NUT
190619-00	8147	NUT
190991-00	10241	SEAL RING
190999-00	10246	SLEEVE
191000-00	8152	SLEEVE
191580-00	12114	HOSE SLEEVE
221035-37	12181	SCREW
221041-20	12211	SCREW
221041-20	12211	SCREW
221045-46	12221	SCREW
2210463-03	12246	SCREW
2210936-43	8043	SCREW
2210948-35	6686	SCREW
221115-19	12294	SCREW
221125-21	12304	SCREW
221125-22	12305	SCREW
221131-07	9250	SCREW
221136-02	12322	SCREW
2212602-23	6687	SCREW
221561-10	12366	SCREW
221581-07	12370	SCREW
2216261-31	6749	SCREW
221721-14	9264	SCREW
221721-14	9264	SCREW
221721-14	9264	SCREW
221721-16	12446	SCREW
221726-05	12452	SCREW
221726-09	9255	SCREW
221726-12	9251	SCREW
221731-01	12458	SCREW
221731-08	12461	SCREW
221731-08	12461	SCREW
221803-03	12495	NUT
221851-06	9269	NUT
221851-11	12523	NUT
221851-16	8139	NUT
221854-19	7145	SCREW
221854-20	6743	NUT
221891-18	12539	LOCK NUT
221891-19	7726	LOCK NUT
222116-15	12579	PIN
222137-10	8928	PIN
222210-19	8926	SPLIT PIN
223101-37	8075	WASHER
223101-61	12637	WASHER
223101-64	12638	WASHER
223306-14	12653	GASKET
223314-04	10245	GASKET
223330-03	10267	GASKET

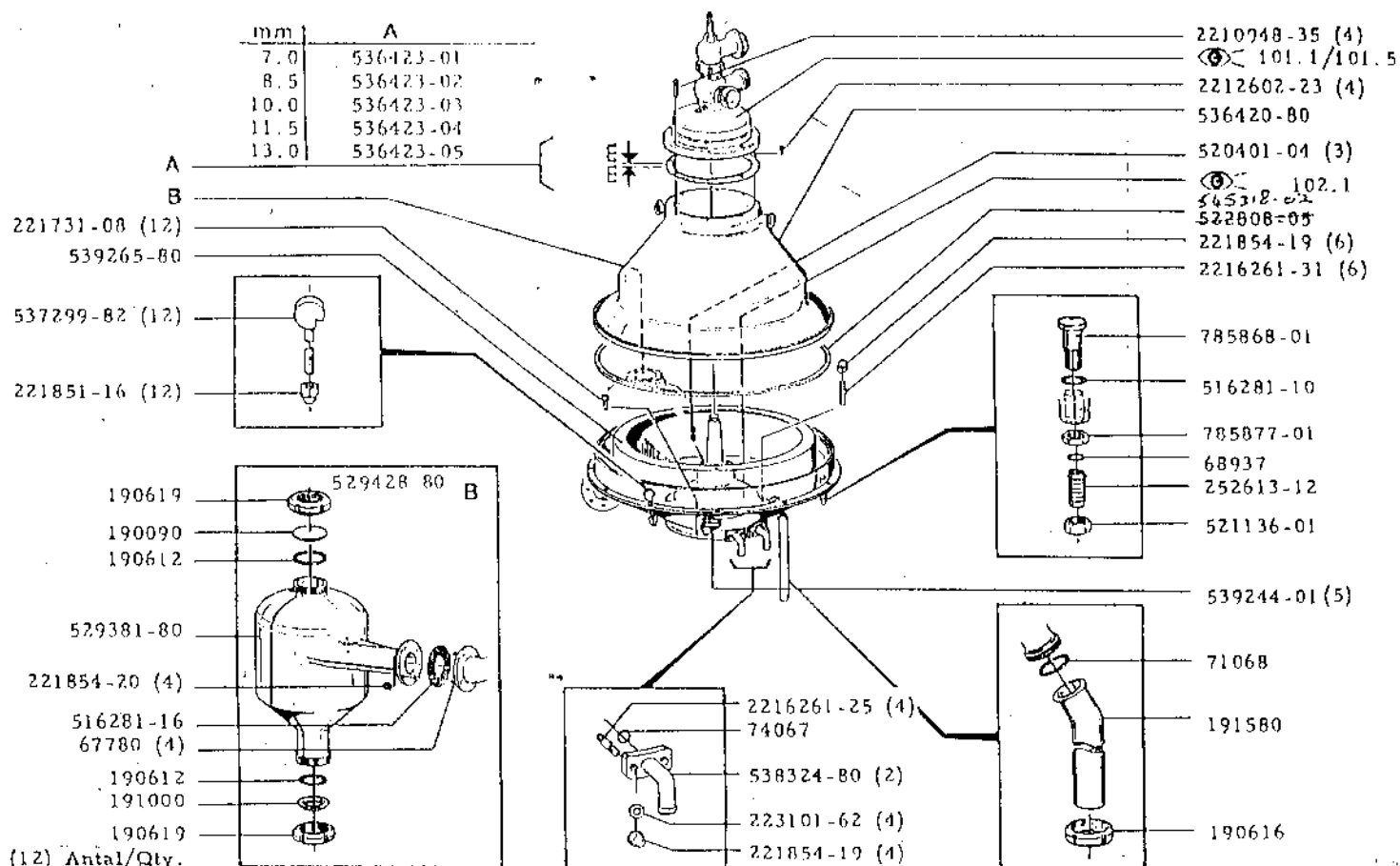
BRP  
H17

Mfr PN	HHSI PN	Description
223404-17	9261	O-RING
223404-39	10248	O-RING
223406-62	10257	O-RING
223412-06	9260	O-RING
223412-18	8049	O-RING
223412-25	8036	O-RING
223412-31	7772	O-RING
223412-46	9265	O-RING
223412-50	6629	O-RING
223412-51	8086	O-RING
223412-52	8031	O-RING
223412-53	8048	O-RING
223412-88	7097	O-RING
223412-94	10261	O-RING
223610-32	13089	KEY
223642-45	8097	SNAP RING
223642-45	8097	SNAP RING
233215-10	8108	BEARING
233215-10	8108	BEARING
252613-12	8128	SLEEVE
260083-03	8042	SPRING
260169-04	13459	FLAT BELT
260169-06	13461	FLAT BELT
260177-02	13483	STUD BOLT
260184-02	9262	SNAP RING
260190-06	8023	O-RING
260202-01	13524	STUD BOLT
260202-02	13525	STUD BOLT
260212-01	13529	HOSE CLIP
260212-01	13529	HOSE CLIP
260213-01	13530	STUD BOLT
26556-00	12643	WASHER
31801144-41	13744	COUPLING
38726-00	9266	WASHER
516281-10	8126	GASKET
516281-16	8155	GASKET
520401-04	15568	SCREW
521136-01	8129	NUT
523116-04	8035	RECTANGULAR RING
526196-02	16559	PROTECTING CAP
526198-03	16562	PROTECTING PLATE
528094-81	6746	DISTRIBUTING RING
528166-01	8041	SPRING SUPPORT
528167-01	6716	GASKET
528168-01	8040	SCREW
528721-01	17045	CAP
529381-80	8150	CONTAINER
529428-80	17136	CYCLONE
529600-01	10254	LOCK RING
529606-01	8034	SLIDING BOWL BOTTOM
529607-02	8033	LINING
529608-01	8044	WING INSET
529628-01	10259	GASKET
529629-81	10268	DISTRIBUTING CONE
529639-02	9258	RUBBER BUFFER
529697-02	10258	PARING CHAMBER BOTTOM PART
529763-01	10256	GASKET
531094-80	17379	GUIDE SLEEVE
531097-01	17380	SPACING SLEEVE

Mfr PN	HHSI PN	Description
531098-01	17381	SHOULDER RING
531191-02	9253	BEARING HOUSING
531271-01	17389	SEAL RING
531446-05	17434	PLUG IN SOCKET
532199-87	17516	PARING DISC CPL
532199-88	19140	PARING DISC CPL
532199-89	17517	PARING DISC CPL
533413-01	8103	LOCK RING
533415-01	8105	SPACING SLEEVE
533483-80	10249	SUPPORT
533513-01	7018	SCREW
536013-01	18011	STOP WASHER
536016-02	18012	TOP BEARING COVER
536031-80	18013	BEARING SHIELD
536037-80	18014	PARING TUBE HOLDER
536138-02	20025	INTERMEDIATE PART
536139-02	20026	TOP BEARING SUPPORT
536359-02	8021	LOCK RING
536420-80	6680	FRAME HOOD
536428-80	18057	DISCHARGE COVER
536443-80	18064	INLET BEND
536445-80	18065	INLET SLEEVE
536655-01	20291	COVER
536691-01	9259	RETAINING RING
536825-80	10250	CHECK VALVE
537026-80	18177	GUARD
537054-01	9257	SPRING SUPPORT
537066-01	18195	INTERMEDIATE PLATE
537067-01	18196	HOOK
537207-04	18248	BELT PULLEY
537272-02	9256	PROTECTING COLLAR
537299-82	6739	HOOK SCREW
537299-82	6739	HOOK SCREW
537303-02	18274	FIXING PLATE
537321-80	18278	STRAINER
537378-01	18322	NOZZLE
537414-01	18329	HOSE
537417-02	18338	ANCHORING FOOT
537435-81	18348	FRAME FOOT
537438-02	18349	FIXING RING
537439-01	18350	RUBBER WASHER
537440-01	18351	PIPE
537441-01	18352	WASHER
537495-02	9252	OIL FAN
537497-03	18375	ANGLE COUPLING
537498-01	18377	COUPLING NIPPLE
537499-01	18378	COUPLING SLEEVE
537500-01	18380	HOSE NIPPLE
537500-02	18381	HOSE NIPPLE
537572-02	18398	SUPPORT
537573-02	18400	SPINDLE
537574-01	18401	PIN
537575-01	18402	RETAINING RING
537576-01	18403	NUT
537620-01	18418	BOWL HOOD
537684-01	9267	ROUND NUT
537838-03	8047	VALVE PLUG
538124-05	18537	NOZZLE
538174-01	18546	THROTTLING DISC

Mfr PN	HHSI PN	Description
538174-02	18547	THROTTLING DISC
538174-03	18548	THROTTLING DISC
538182-01	18552	PROTECTING PLATE
538185-01	18554	PRESSURE SWITCH
538186-01	18555	REVOLUTION SENSOR
538511-01	18613	STRAINER PLUG
538512-01	18614	STRAINER GAUZE
538520-02	18615	CAP NUT
538548-81	18635	GUIDE SLEEVE
538548-82	18635	GUIDE SLEEVE
538560-80	19334	DISTRIBUTOR
538867-58	18705	INDICATING DISC
539086-01	18760	NIPPLE
539242-80	8185	DISTRIBUTING COVER
539244-01	6748	ADJUSTING RING
539245-01	8181	CONTROL PARING DISC
539249-01	8046	OPERATING SLIDE
539265-80	18809	FRAME TOP PART
539822-01	22124	ROLLER BEARING
539859-02	10255	PARING CHAMBER TOP PART
539934-01	9254	BOWL SPINDLE
543170-01	8024	SEAL RING
545318-02	8146	RUBBER STRIP
62763-00	8106	SPRING
63256-00	8463	ADJUSTING WASHER
64813-00	26980	SPRING
65227-00	7220	FRICT PAD
65461-00	6314	STEM BRAKE
67780-00	8156	STUD BOLT
67960-00	7219	PIN
68937-00	7666	GASKET
70340-00	7190	SPRING
71068-00	7093	GASKET
72354-00	10269	GASKET
74384-00	7070	DIAPHRAGM
74386-00	7088	PRESSURE GAUGE
74634-00	8180	O-RING
785332-03	29665	ADJUSTING WASHER
785868-01	8125	NOZZLE
785877-01	8127	NUT
8341-00	7271	SCREW

mm	A
7.0	536423-01
8.5	536423-02
10.0	536423-03
11.5	536423-04
13.0	536423-05

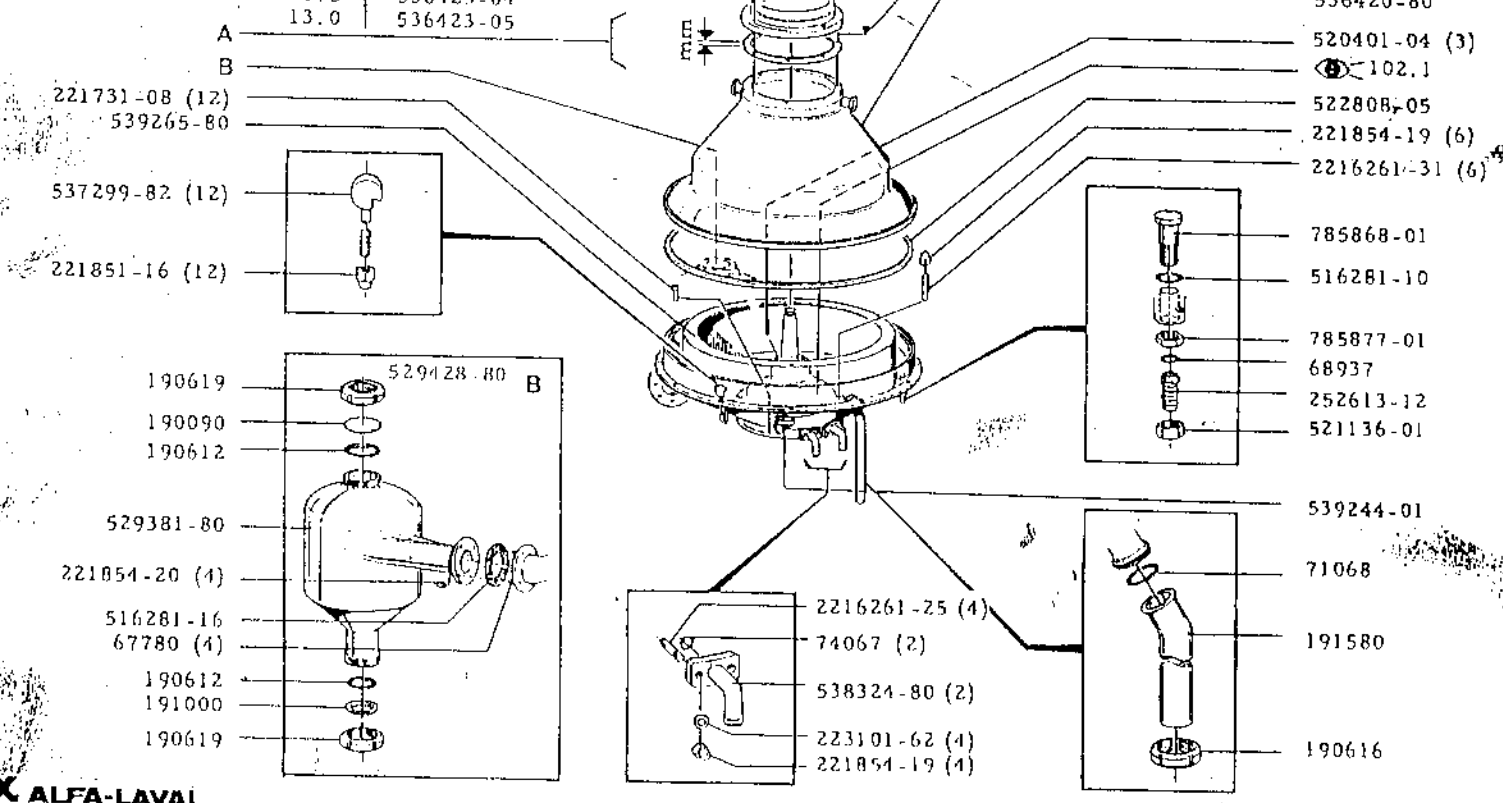


**ALFA-LAVAL**

Type	Machine Unit No	Description	Issue
BRPX 417SFV-31C/31CG BRPX 417SFV-31CL/31CGL	538594 80/81/82/87/88/89	MACHINE TOP PART Benämning MASKINÖVERDEL	1/78
			Page 100.1

SO 2195-23

mm	A
7.0	536423-01
8.5	536423-02
10.0	536423-03
11.5	536423-04
13.0	536423-05



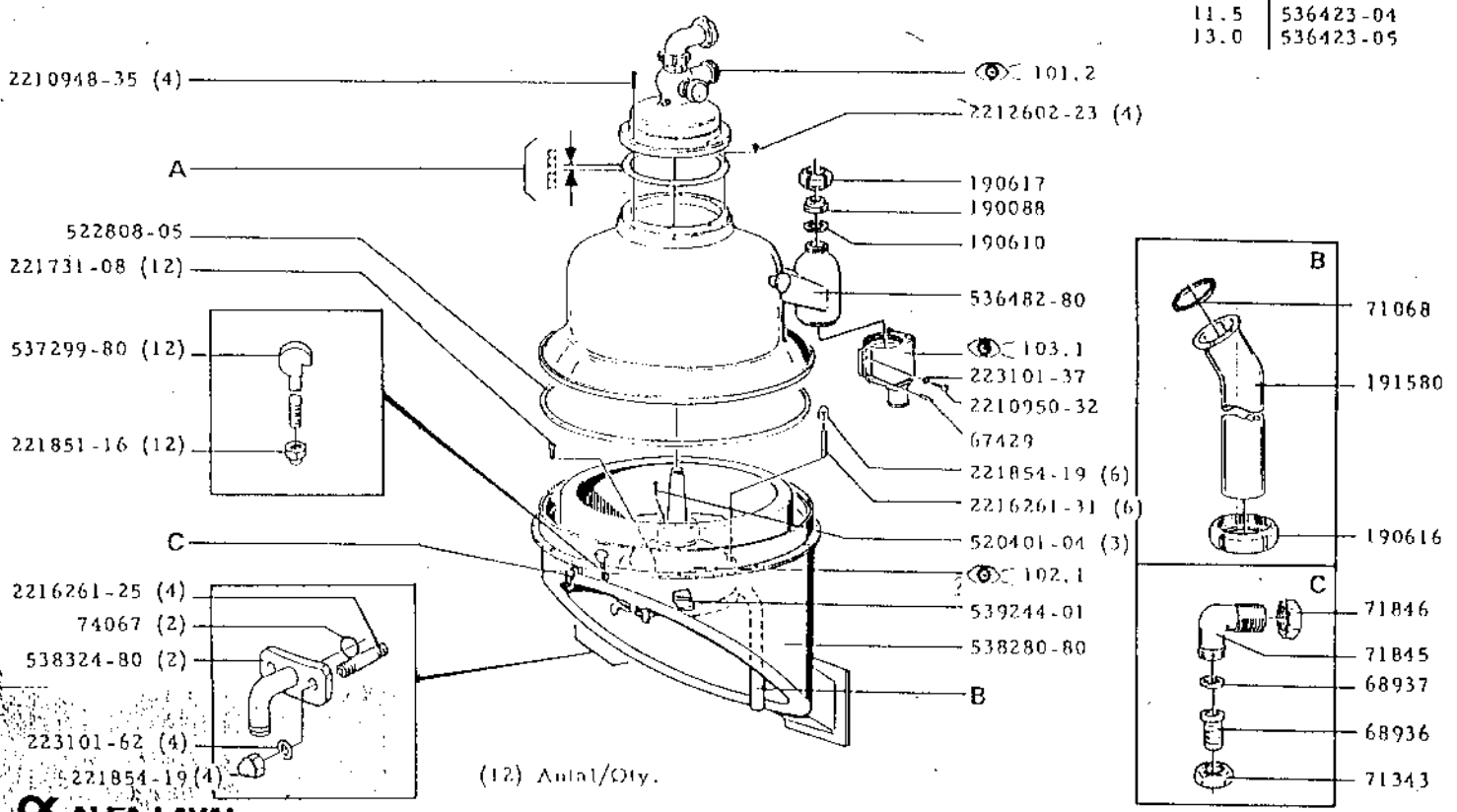
**ALFA-LAVAL**

Type	Machine Unit No	Description	Issue
BRPX 417SGV-31CEGN BRPX 417SGV-31C/31CG BRPX 417SGV-31CL/CGL	538591-50/51/52/56/57/58/71/72/73	MACHINE TOP PART Beskrivning: MASKINÖVERDEL	1/78
			Ungö 100.3

SO 2197-2

(12) Antal/Qty.

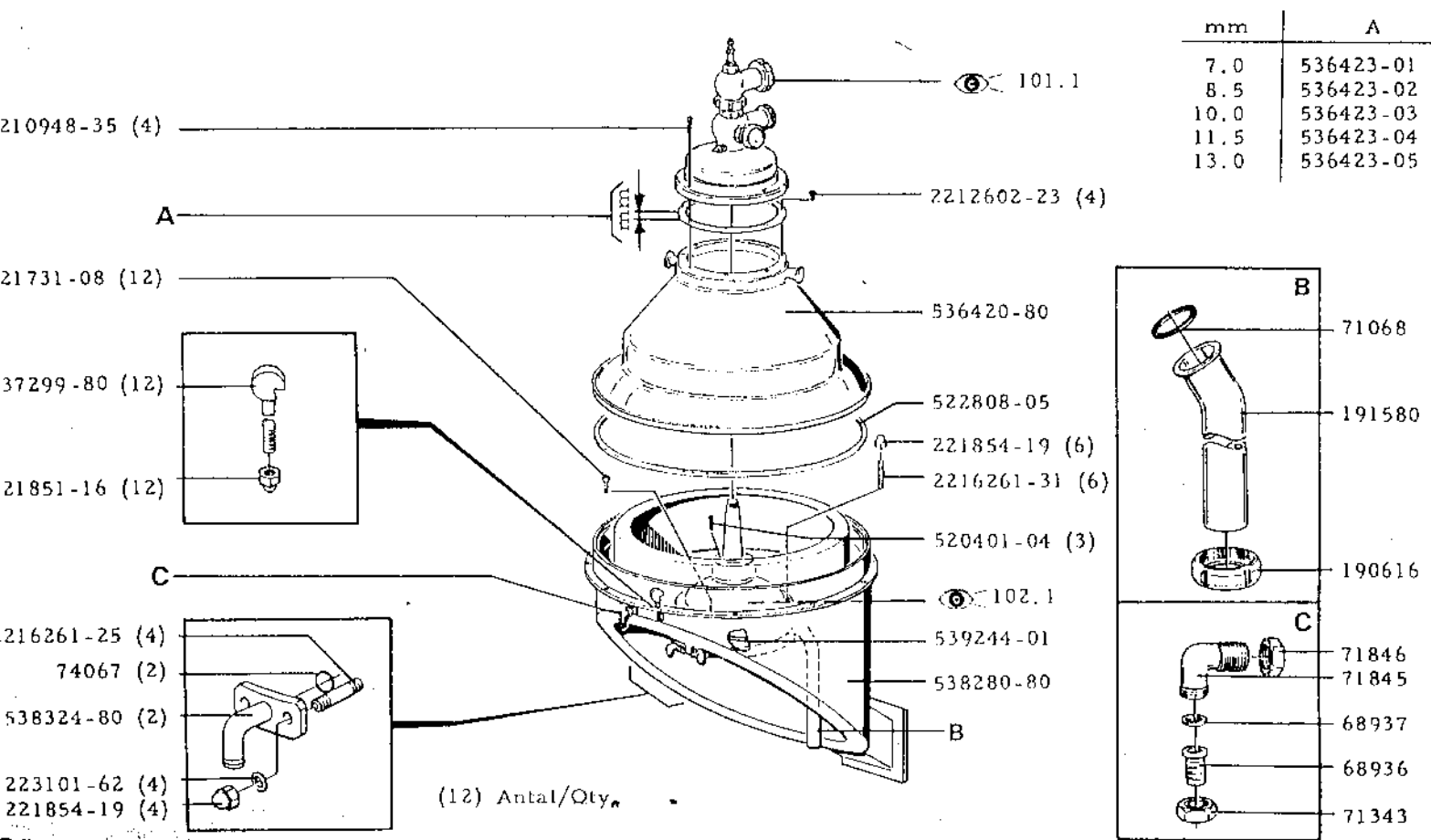
mm	A
7.0	536423-01
8.5	536423-02
10.0	536423-03
11.5	536423-04
13.0	536423-05



**ALFA-LAVAL**

Type BRPX 417XGV-11C/71C SSPX 417XGV-11C	Machine Unit No 537038-80	Description MACHINE TOP PART Benämning: MASKINÖVERDEL	Issue 1/78
			Page 100.2

SO 2196-2

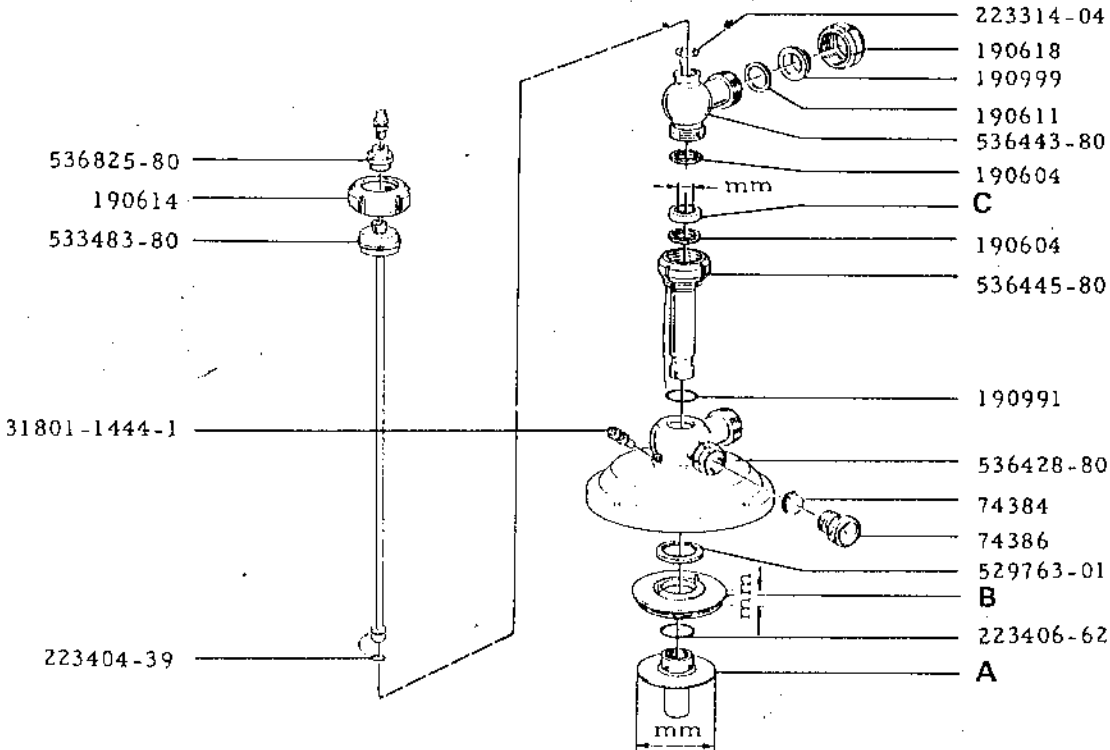


**ALFA-LAVAL**

Type	Machine Unit No	Description	Issue
BRPX 417SEV-31C	537697-80	MACHINE TOP PART Bemærkning MASKINØVERDEL	1/77
			Page 100.

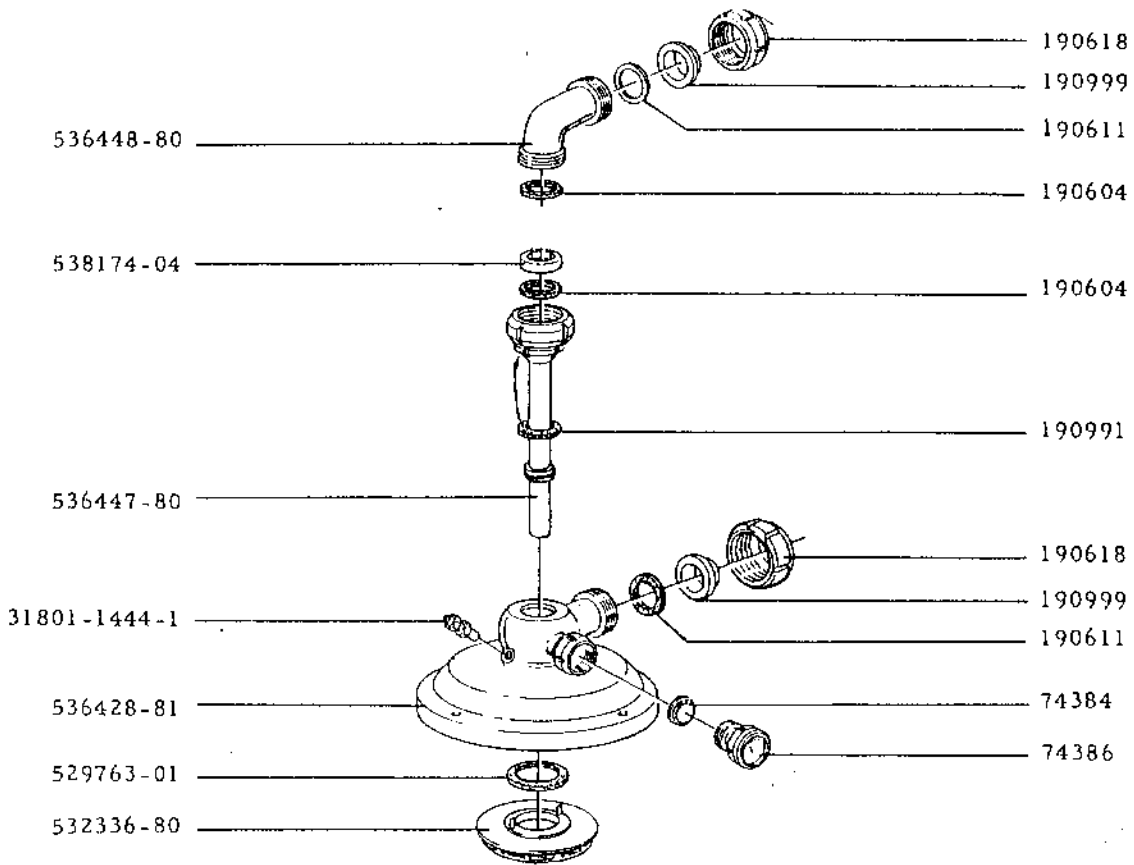
O 2198

Machine Unit No.	mm	A	mm	B	mm	C	
537697-80	538594-80	∅ 152	538548-81	15	532199-88	∅ 30	538174-01
	538594-81	∅ 152	538548-81	5	532199-87	∅ 25	538174-03
	538594-82	∅ 175	538548-82	10	532199-89	∅ 20	538174-02



**ALFA-LAVAL**

type	Machine Unit No	Description	Issue
BRPX 417SFV-31C BRPX 417SFV-31C/31CG	537697-80 538594-80/81/82	FEED AND DISCHARGE DEVICE Benämning IN- OGI UTLOPPSANORDNING	1/77
			Page 101.1

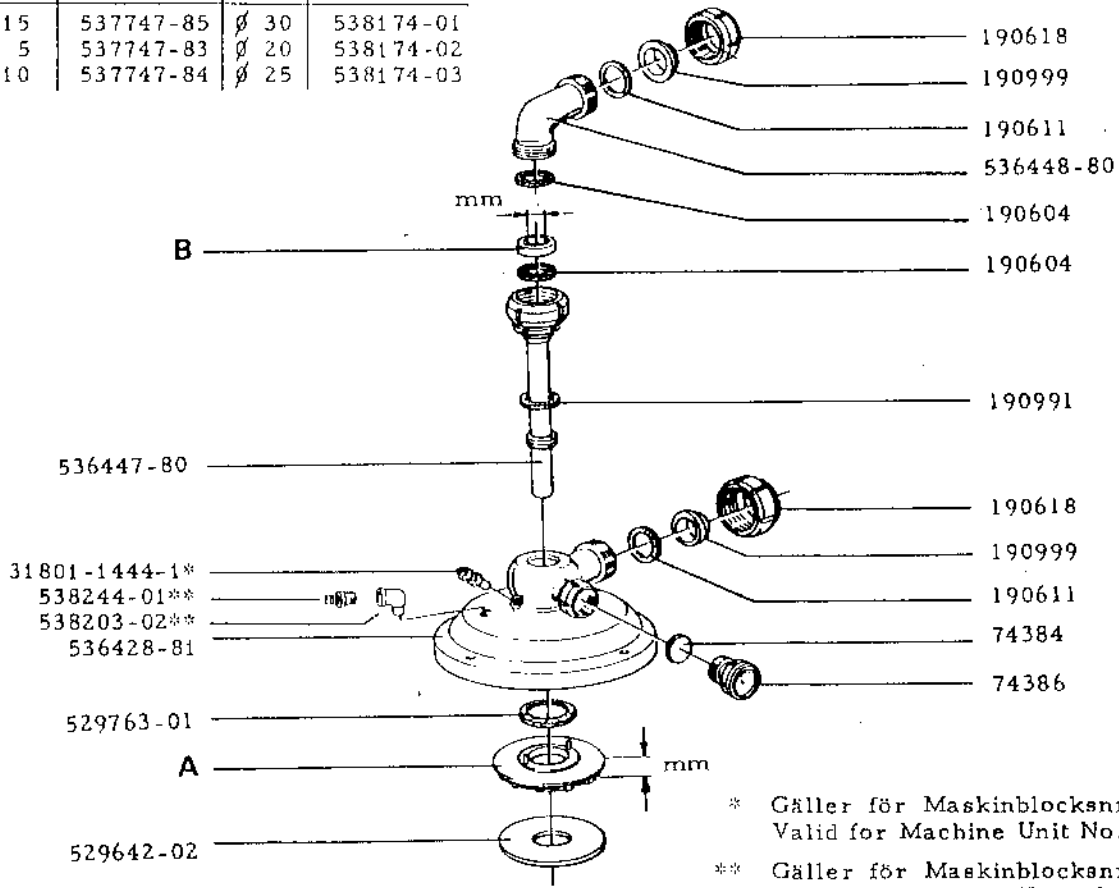


**ALFA-LAVAL**

Type BRPX 417XGV-11C/71C SSPX 417XGV-11C	Machine Unit No 537698-80	Description FEED AND DISCHARGE DEVICE Benämning IN- OCH UTLOPPSANORDNING	Issue 1/78 Page 101
------------------------------------------------	------------------------------	-----------------------------------------------------------------------------------	------------------------

50 2200-2

Machine Unit No.	mm	A	mm	B
538591-50/56	15	537747-85	∅ 30	538174-01
538591-51/57	5	537747-83	∅ 20	538174-02
538591-52/58	10	537747-84	∅ 25	538174-03



\* Gäller för Maskinblocksnr. 538591-50/5  
Valid for Machine Unit No.

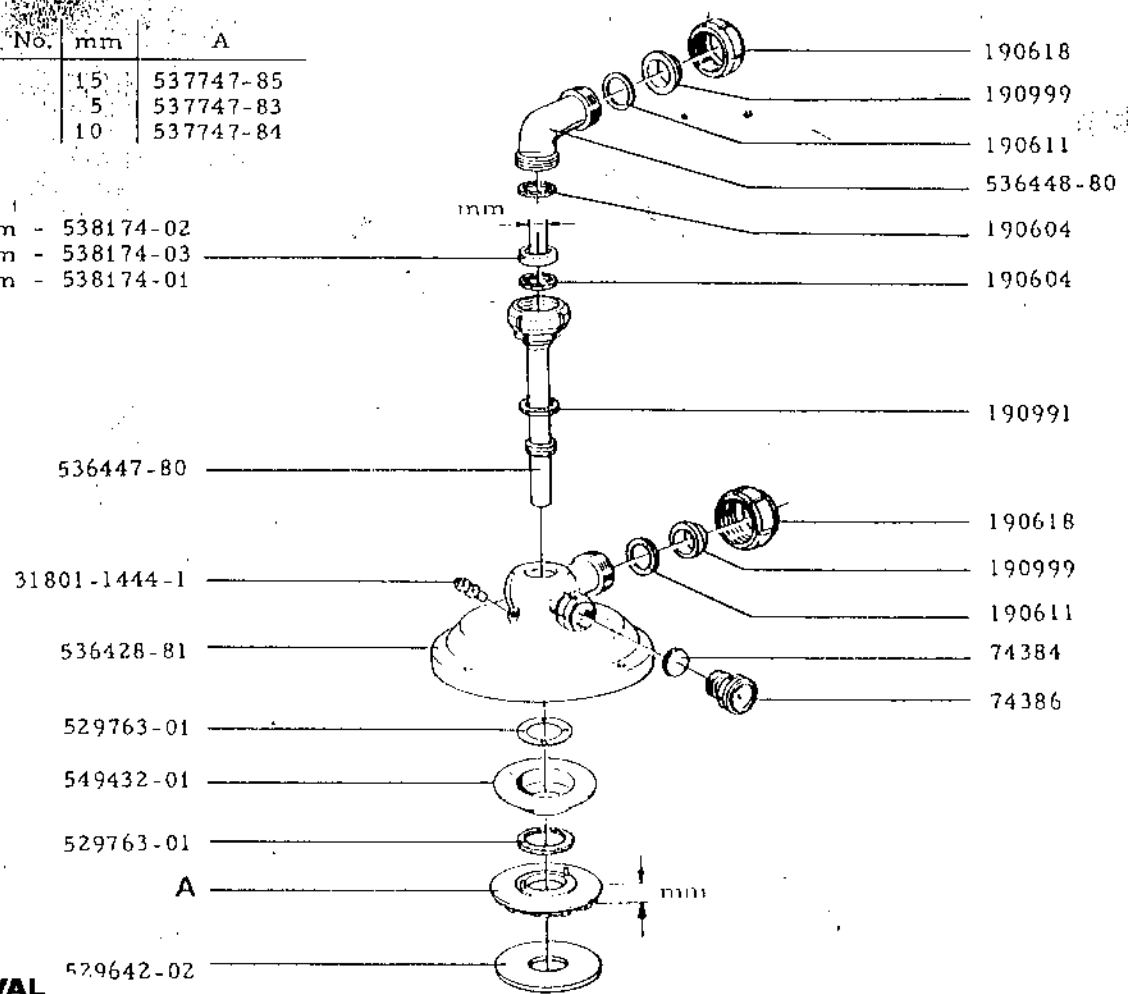
\*\* Gäller för Maskinblocksnr. 538591-56/5  
Valid for Machine Unit No.

**ALFA-LAVAL**

Type BRPX 417SGV-31C/31CG/31CEGR	Machine Unit No. 538591-50/51/52/56/57/58	Description FEED AND DISCHARGE DEVICE Benämning IN- OCH UTLOPPSANORDNING	Issue : 1/78 Page 101
-------------------------------------	----------------------------------------------	-----------------------------------------------------------------------------------	--------------------------

Machine Unit No.	mm	A
538591-71	15	537747-85
538591-72	5	537747-83
538591-73	10	537747-84

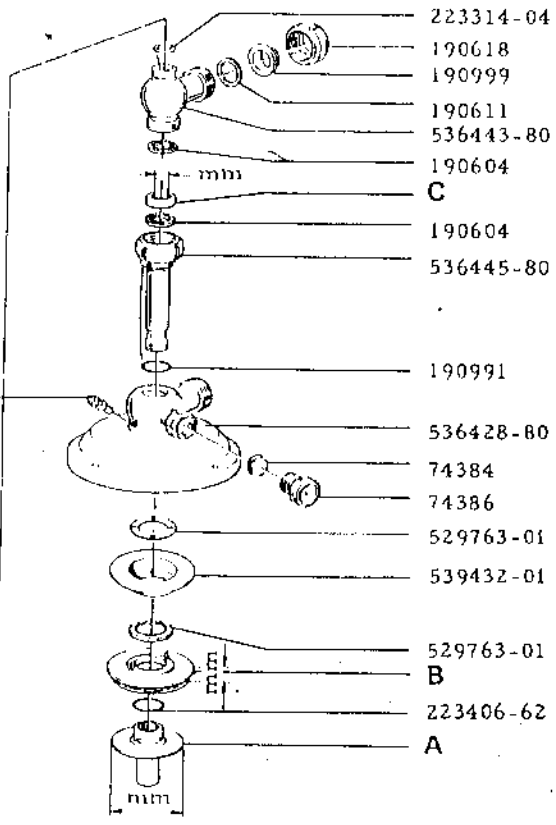
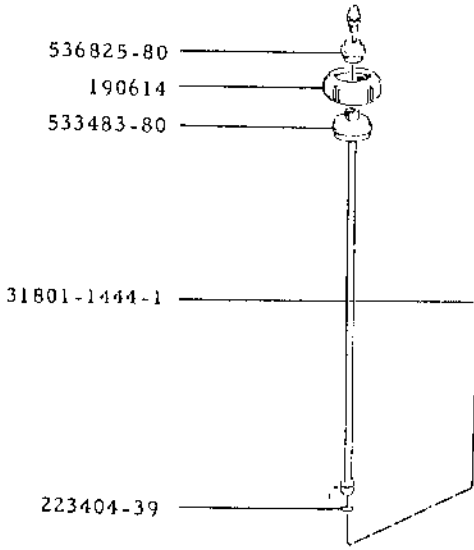
- ∅ 20 mm - 538174-02
- ∅ 25 mm - 538174-03
- ∅ 30 mm - 538174-01



**ALFA-LAVAL**

Type	Machine Unit No.	Description	Issue
BRPX 417SGV-31CL/31CGL	538591-71/72/73	FEED AND DISCHARGE DEVICE Benämning: IN- OCH UTLOPPSANORDNING	1/78
			Page <b>101.4</b>

Machine Unit No.	mm	A	mm	B
538594-87	∅ 152	538548-81	15	532199-91
538594-88	∅ 152	538548-81	10	532199-90
538594-89	∅ 175	538548-82	5	532199-92

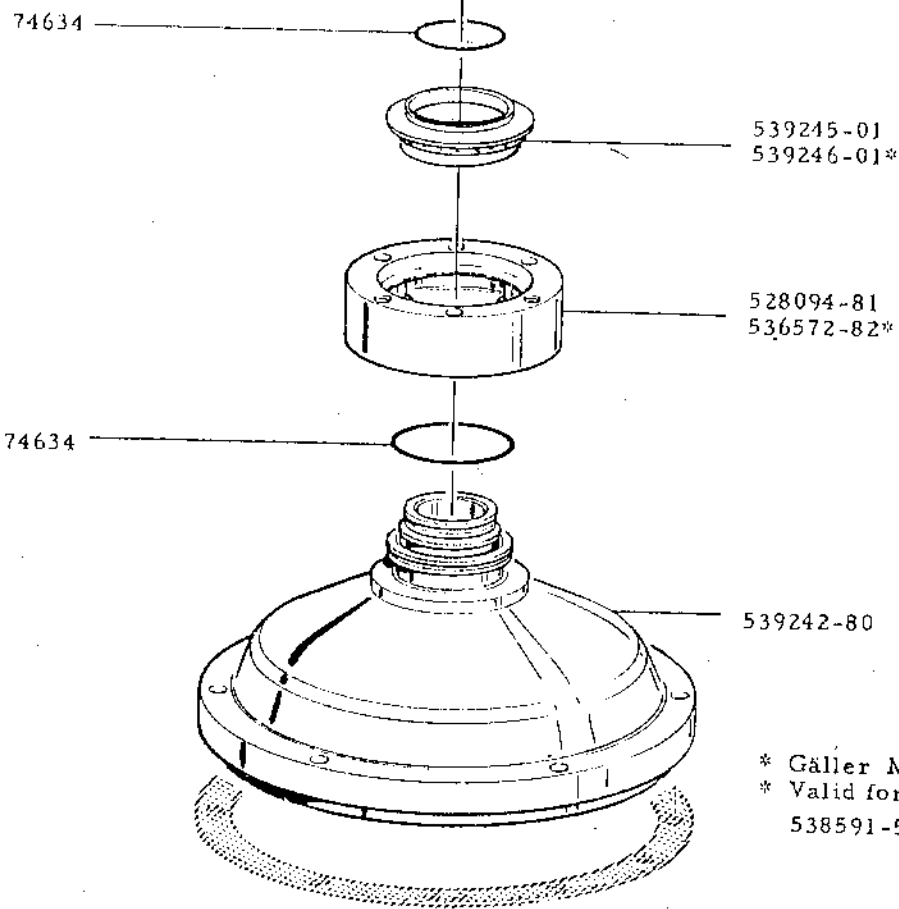


Machine Unit No.	mm	C
538594-87/88/89	∅ 30	538174-01
538594-87/89	∅ 25	538174-03
538594-87/88/89	∅ 20	538174-02

**ALFA-LAVAL**

Type BRPX 4175FV-31CGL	Machine Unit No. 538594-87/88/89	Description FEED AND DISCHARGE DEVICE Benämning: IN- OCH UTLOPPSANORDNING	Issue 1/78 Page 101.5
---------------------------	-------------------------------------	------------------------------------------------------------------------------------	--------------------------------

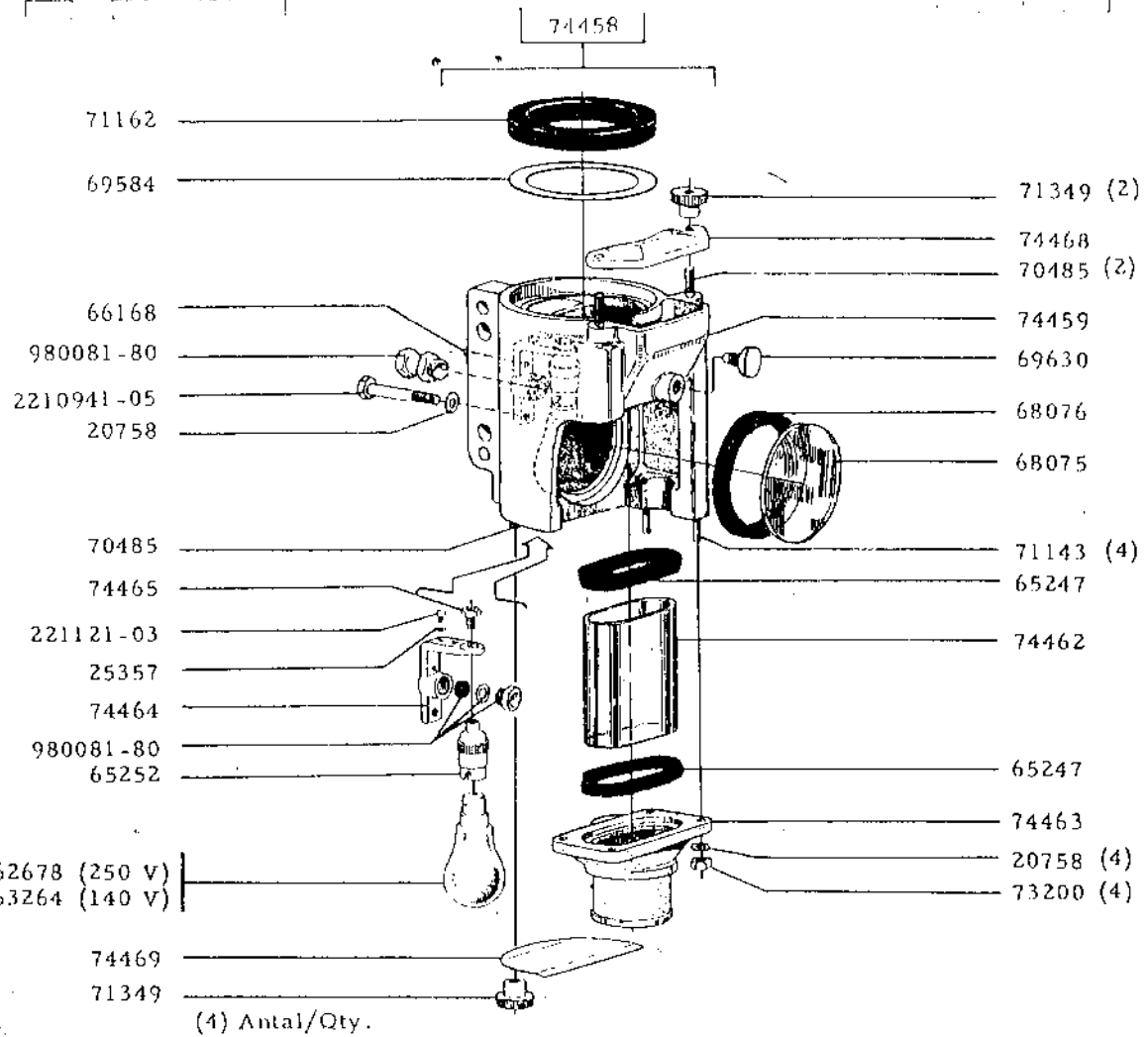
SG 2002



\* Gäller Maskinblocksnr.  
 \* Valid for Machine Unit No.  
 538591-56/57/58

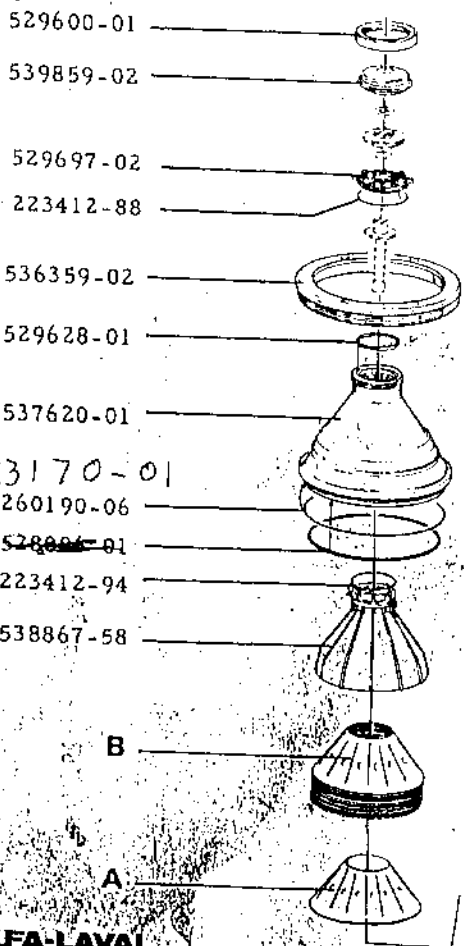
ALFA-LAVAL

Type BRPX 417 SSPX 417	Machine Unit No. 538594-80/81/82/86/87/88/89 537697-80 537698-80 538591-50/51/52/56/57/58/71/72/73	Description РАПИГ ДИСК АССЕМБЛИ Benämning SKALSKIVEANORDNING	Issue 1/78
202-2			Page 102.1

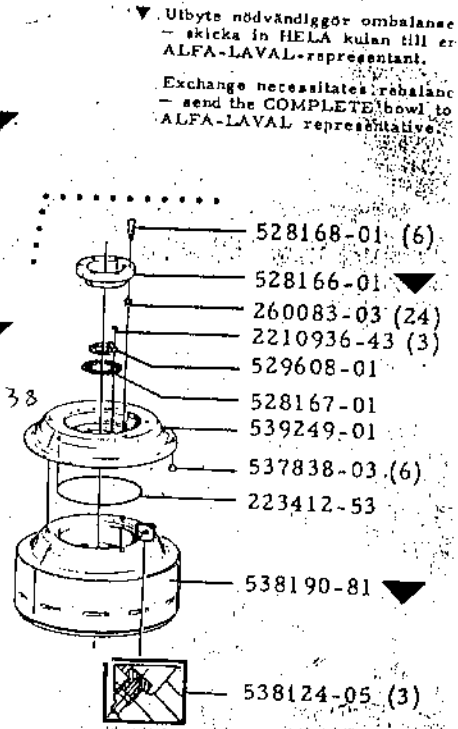
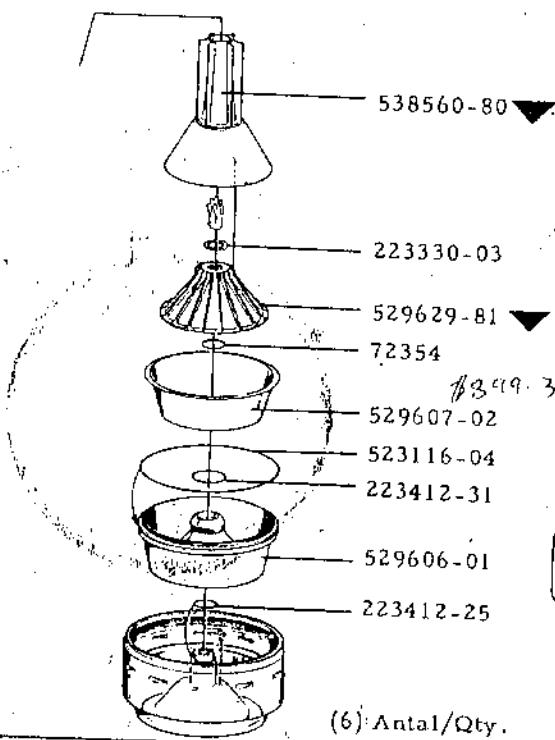


**ALFA-LAVAL**

Type	Machine Unit No	Description	Issue
BRPX 417XGV-11C/71C	537698-80	INSPECTION BOX KONTROLLHUS	1/77
			Page 103.1



	mm	A	mm	B
538557-80	0.4	539194-03	0.4	539194-02 (215)
538557-81	0.6	539194-05	0.6	539194-04 (176)
538557-82	1.0	539194-07	1.0	539194-06 (124)
538557-82			0.8	539194-08 (6)



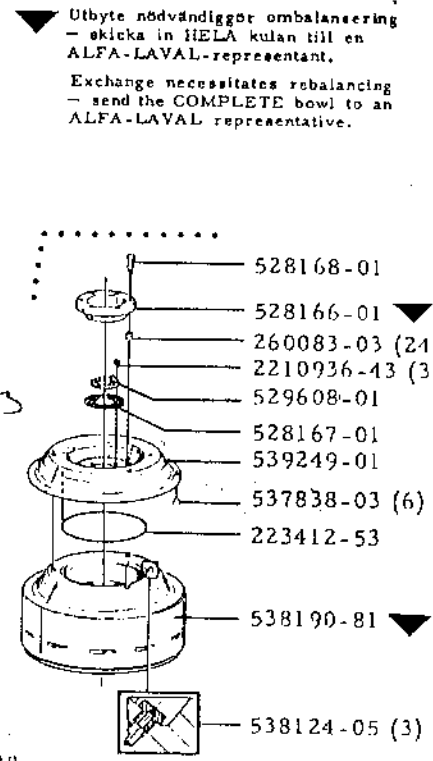
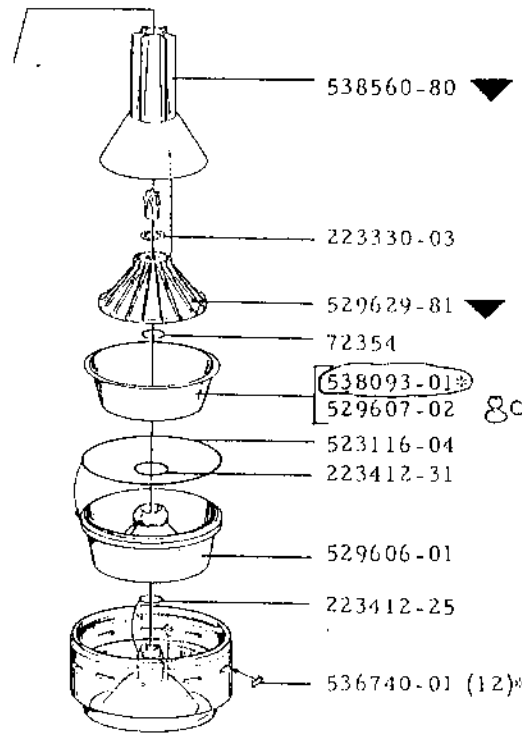
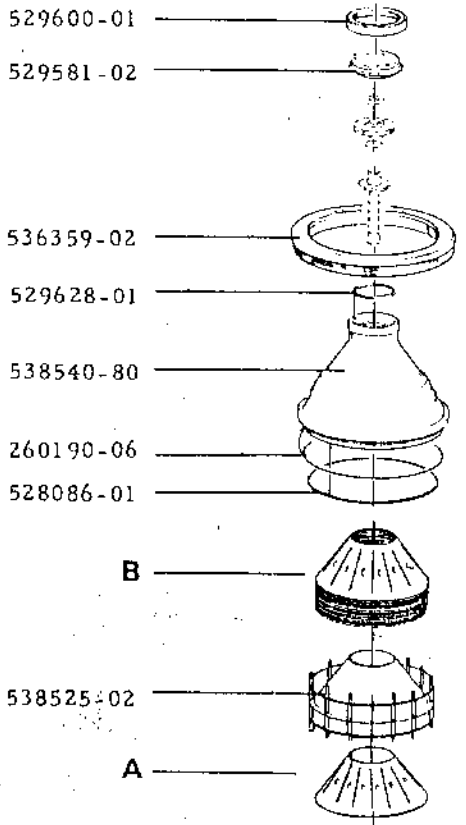
Utbyte nödvändigt för ombalansering - skicka in HELA kulan till er ALFA-LAVAL-representant.  
Exchange necessitates rebalancing - send the COMPLETE bowl to ALFA-LAVAL representative.

ALFA-LAVAL

Type BRPX 417SEV 31C BRPX 417SEV 31C/31CG	Machine Unit No. 538557-80/81/82	Description SEPARATOR BOWL Benämning SEPARATORKULA	Issue 1/78 Page 200.1
-------------------------------------------------	-------------------------------------	-------------------------------------------------------------	--------------------------------

(6) Antal/Qty.

Machine Unit No.	mm	A	B
538558-80	0.4	539194-03	539194-02 (222)
538558-81	0.6	539194-05	539194-04 (181)
538558-82	1.0	539194-07	539194-06 (127)
538558-82	0.8		539194-08 (6)
538558-86	0.4	539194-03	539194-02 (101)
538558-87	0.6	539194-05	539194-04 (83)
538558-88	1.0	539194-07	539194-06 (60)
538558-88	0.8		539194-08 (6)



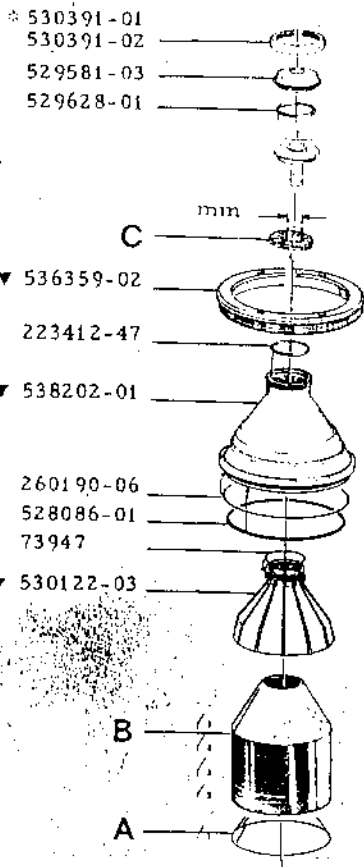
Utbyte nödvändigt för ombalansering  
- skicka in HELA kulan till en  
ALFA-LAVAL-representant.  
Exchange necessitates rebalancing  
- send the COMPLETE bowl to an  
ALFA-LAVAL representative.

ALFA-LAVAL

(3) Antal/Qty.

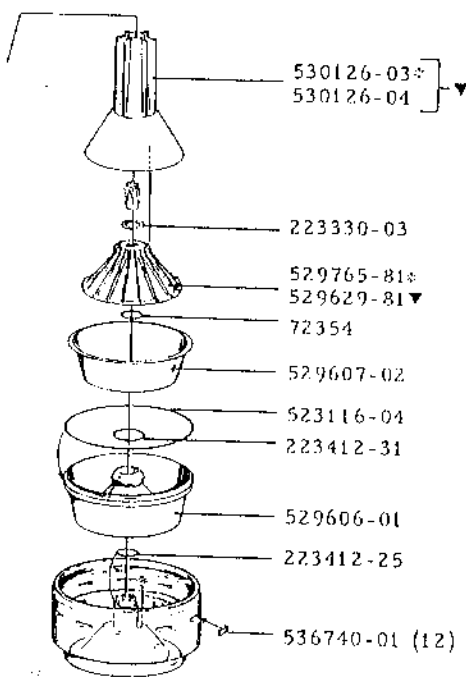
\* Gäller för/Valid for -86/87/88

Machine Unit No	Description	Issue
		1/78
BRPX 417SGV-31C BRPX 417SGV-31CG	SEPARATOR BOWL Benämning: SEPARATÖRKULA	Pago 200.2

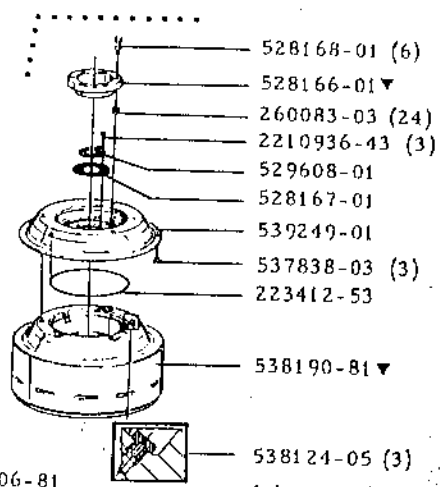


mm	C
127	532344-02
185	532344-03
158	532344-04
176	532344-05
200	532344-06

Machine Unit No.	mm	A	mm	B
538206-80	1.0	539194-07	1.0	539194-06 (126)
538206-81	2.0	538563-03	2.0	538563-02 (72)
538206-80			0.8	539194-08 (6)
538206-81			1.5	538563-04 (6)



Ubyte nödvändig för ombalansering  
 - skicka in HELA kulan till en  
 ALFA-LAVAL-representant.  
 Exchange necessitates rebalancing  
 - send the COMPLETE bowl to an  
 ALFA-LAVAL representative.

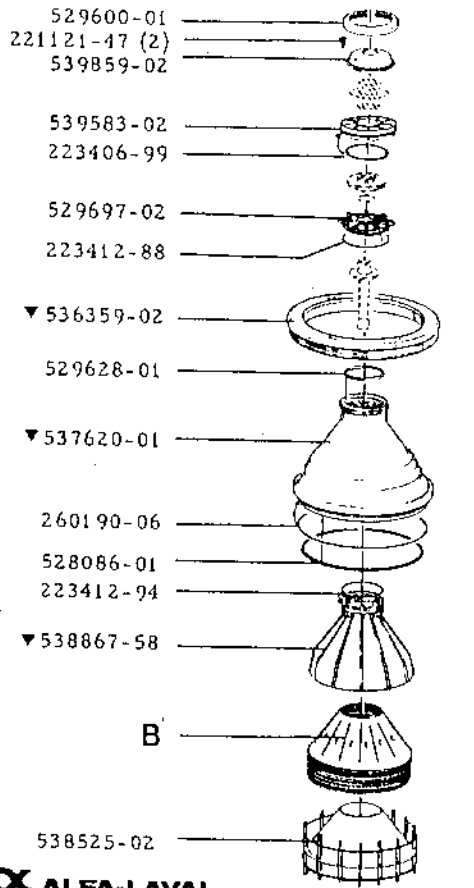


**ALFA-LAVAL**

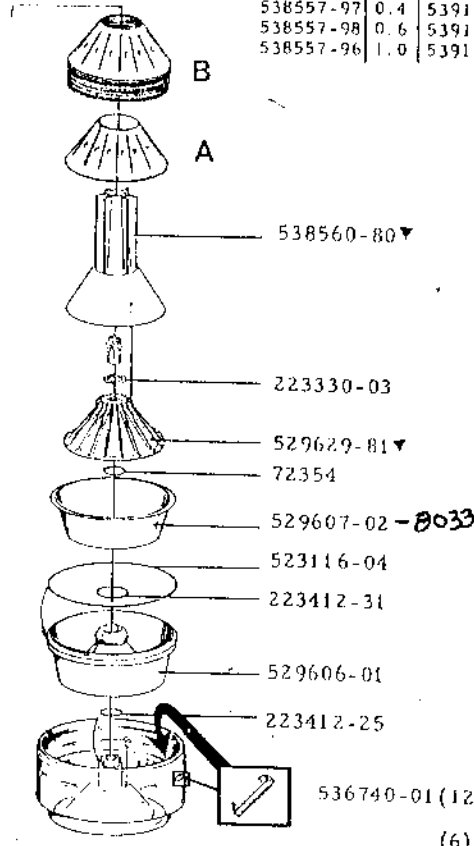
\* Gäller för Maskinblocksnr. /Valid for Machine Unit No. 538206-81

Type	Machine Unit No	Description	Issue
BRPX 417XGV-11C BRPX 417XGV-71C	538206-80 538206-81	SEPARATOR BOWL SEPARATÖRKULA	1/78
			Page 200.3

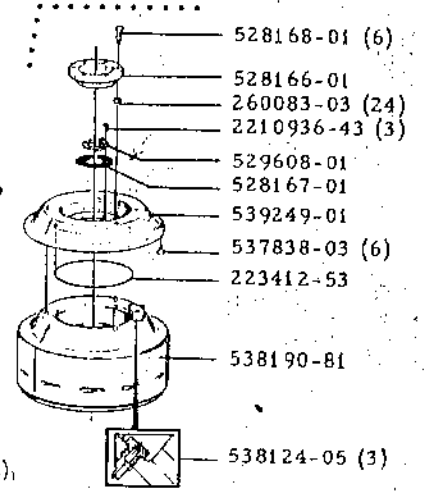
SO 2206-3



Machine Unit No.	mm	A	Machine Unit No.	mm	B
538557-97	0.4	539194-03	538557-97	0.4	539194-02 (217)
538557-98	0.6	539194-05	538557-98	0.6	539194-04 (178)
538557-96	1.0	539194-07	538557-99	0.8	539194-08 (6)
			538557-99	1.0	539194-06 (126)

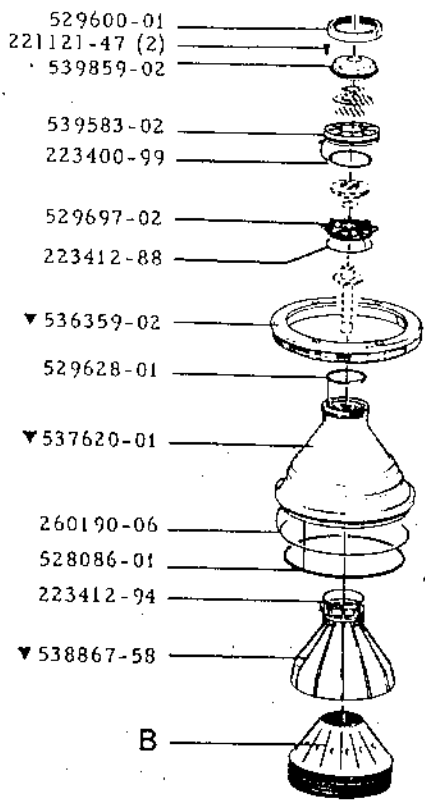


▼ Utbyte nödvändigt ombalansering  
 - skicka in HELA kulan till en  
 ALFA-LAVAL-representant.  
 Exchange necessitates rebalancing  
 - send the COMPLETE bowl to an  
 ALFA-LAVAL representative.



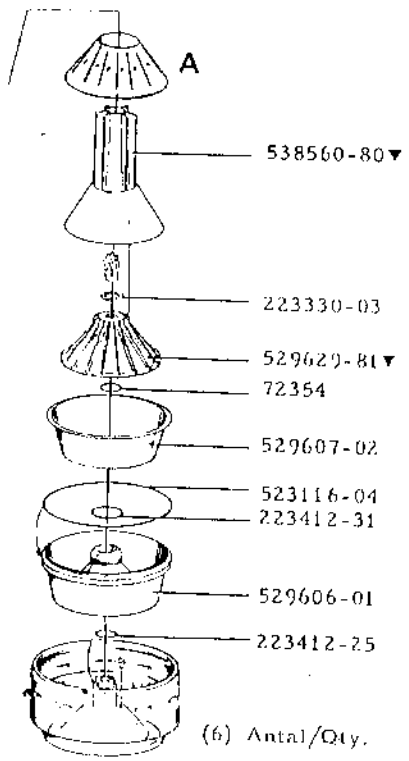
ALFA-LAVAL

Type BRPX 417SFV-31CGL	Machine Unit No. 538557-97/98/99	Description SEPARATOR BOWL Benämning SEPARATORKULA	Issue 1/78 Page 200.4
---------------------------	-------------------------------------	-------------------------------------------------------------	--------------------------------

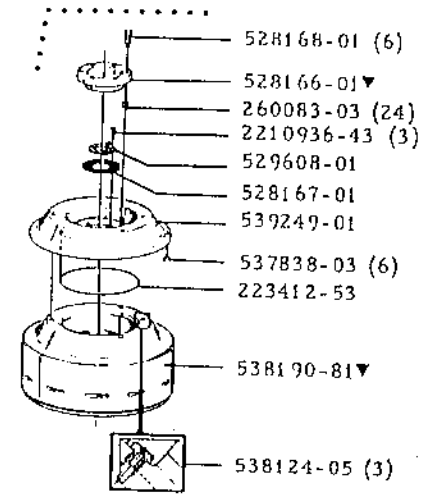


Machine Unit No.	mm	A
538557-94	0.4	539194-03
538557-95	0.6	539194-05
538557-96	1.0	539194-07

Machine Unit No.	mm	B
538557-94	0.4	539194-02 (217)
538557-95	0.6	539194-04 (178)
538557-96	0.8	539194-08 (6)
538557-97	1.0	539194-06 (126)



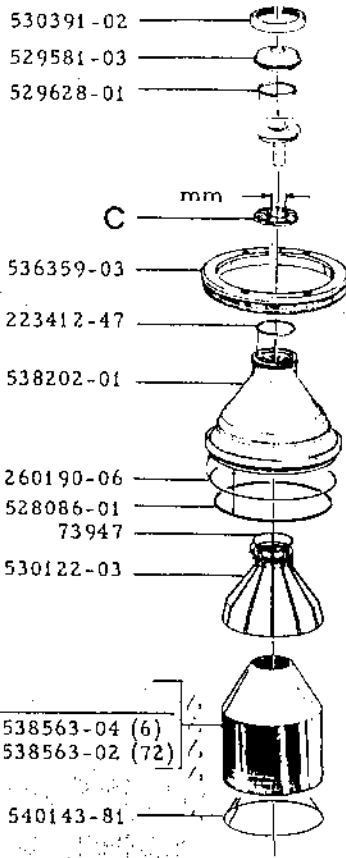
▼ Utbyte nödvändigt ombalansering  
 - skicka in HELA kulan till en  
 ALFA-LAVAL-representant.  
 Exchange necessitates rebalancing  
 - send the COMPLETE bowl to an  
 ALFA-LAVAL representative.



**ALFA-LAVAL**

Type BRPX 417SFV-31CL/CGL	Machine Unit No 538557-94/95/96	Description SEPARATOR BOWL Benämning SEPARATORKULA	Issue V78 Page 200.5
------------------------------	------------------------------------	-------------------------------------------------------------	-------------------------------

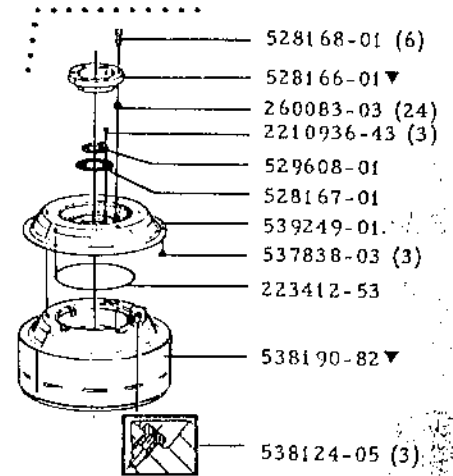
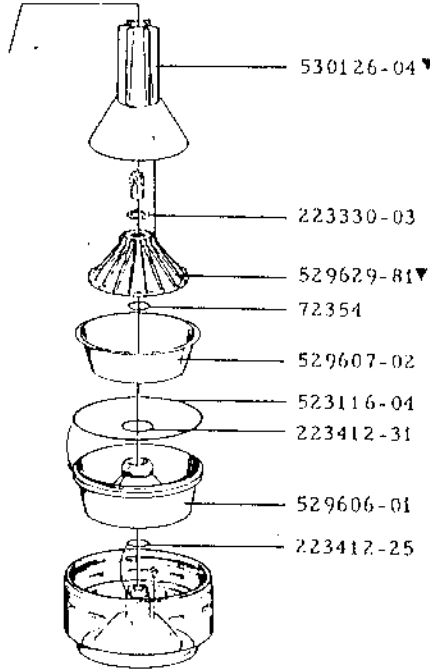
SO 2364



mm	C
127	532344-02
185	532344-03
158	532344-04
176	532344-05
200	532344-06

▼ Utbyte nödvändigt om balansenring  
- skicka in HELA kulan till en  
ALFA-LAVAL-representant.

Exchange necessitates rebalancing  
- send the COMPLETE bowl to an  
ALFA-LAVAL representative.



mm	
1.5	538563-04 (6)
2.0	538563-02 (72)

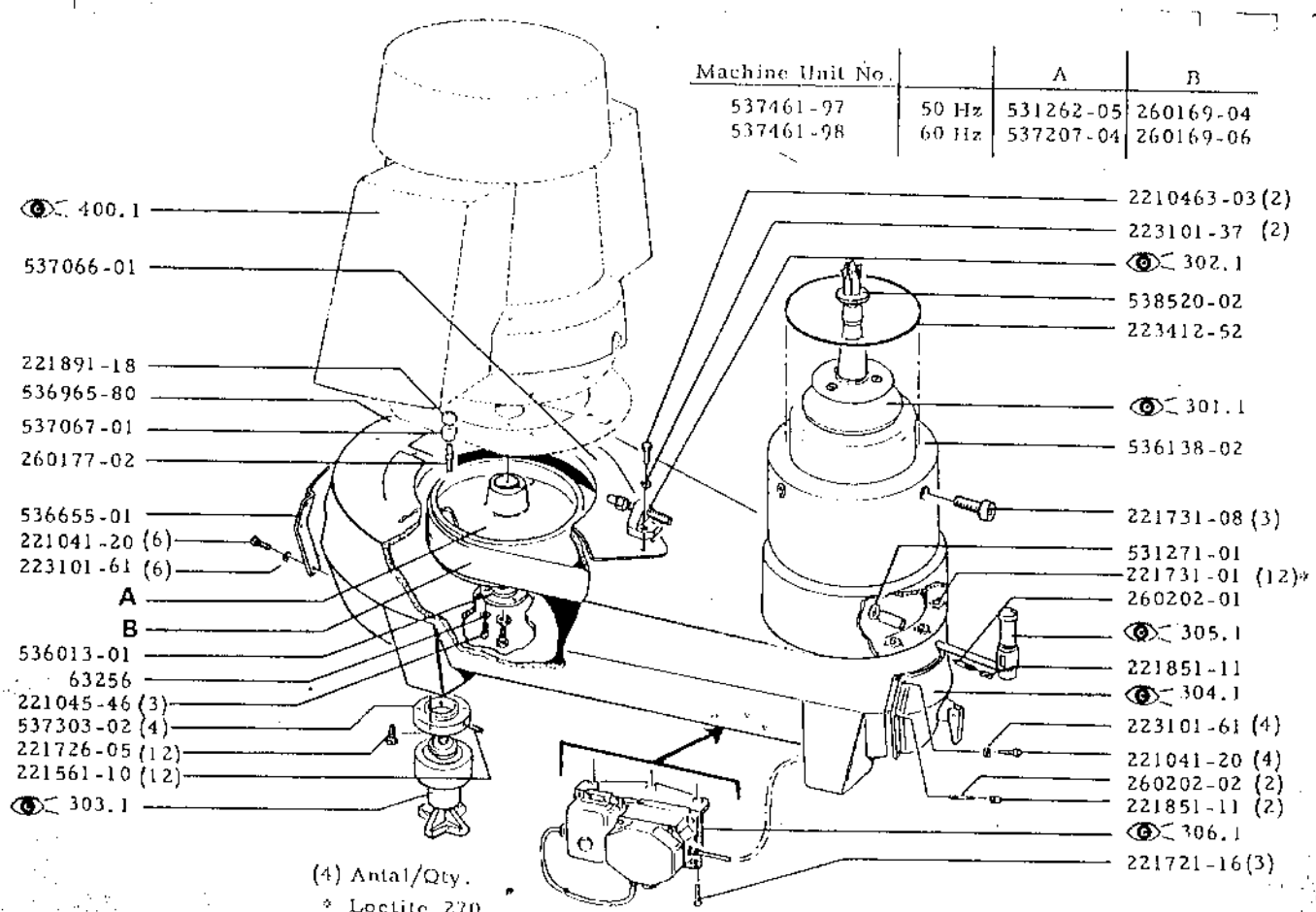
(3) Antal/Qty.

**ALFA-LAVAL**

Type SSPX 417XGV-11C	Machine Unit No 530206-82	Description SEPARATOR ROWL Benämning SEPARATORÖKULA	Issue 1/78
			Page 200.7

SO 2366

Machine Unit No.		A	B
537461-97	50 Hz	531262-05	260169-04
537461-98	60 Hz	537207-04	260169-06



(4) Antal/Qty.  
\* Loctite 270

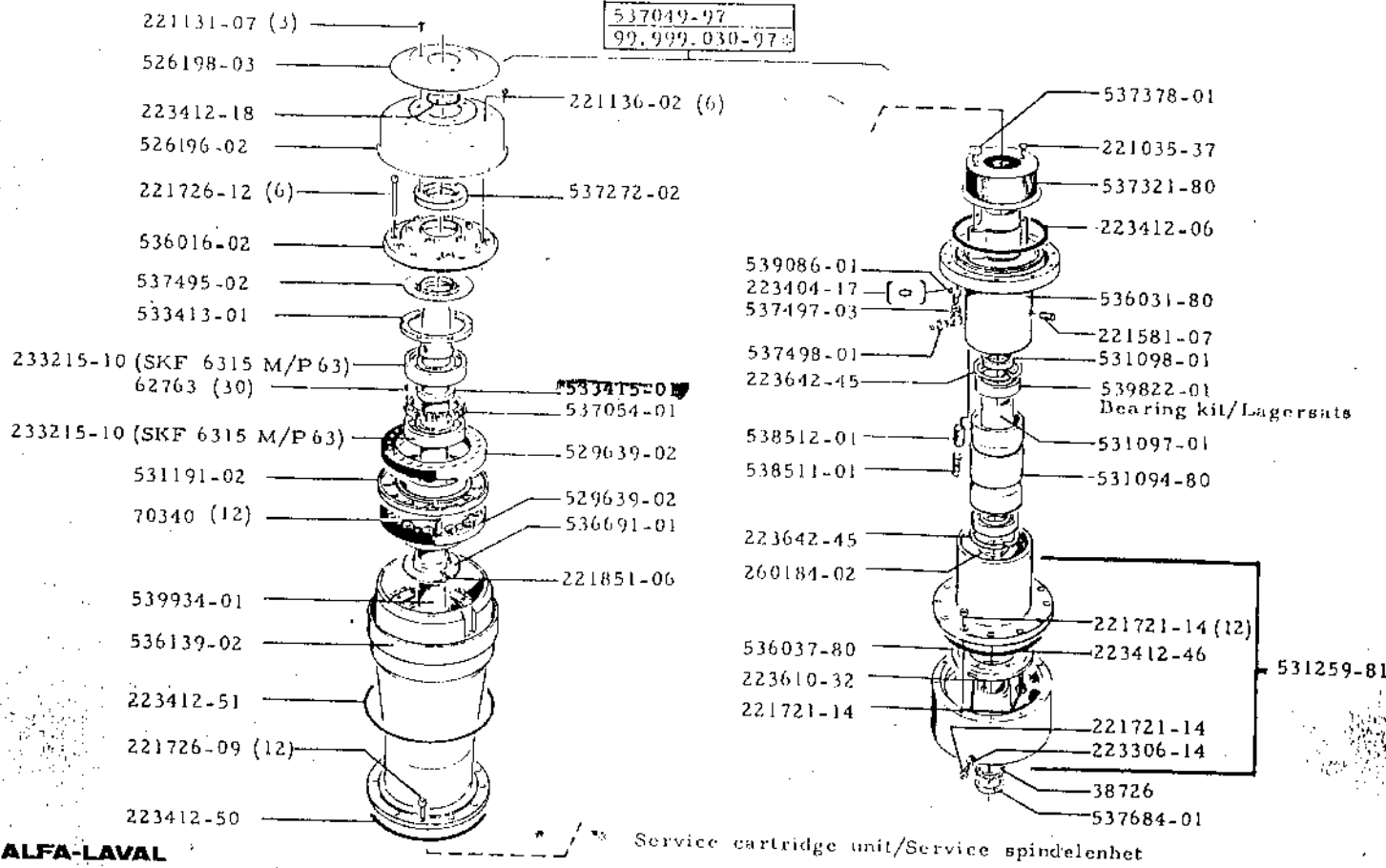
**ALFA-LAVAL**

Type BRPX 417 SSPX 417	Machine Unit No. 537461-97/98	Description MACHINE BOTTOM PART Benedicção MASKINUNDERDEL	Issue 1/78
			Page 300.1

SO 2207-2

1232240

537049-97  
99.999.030-97

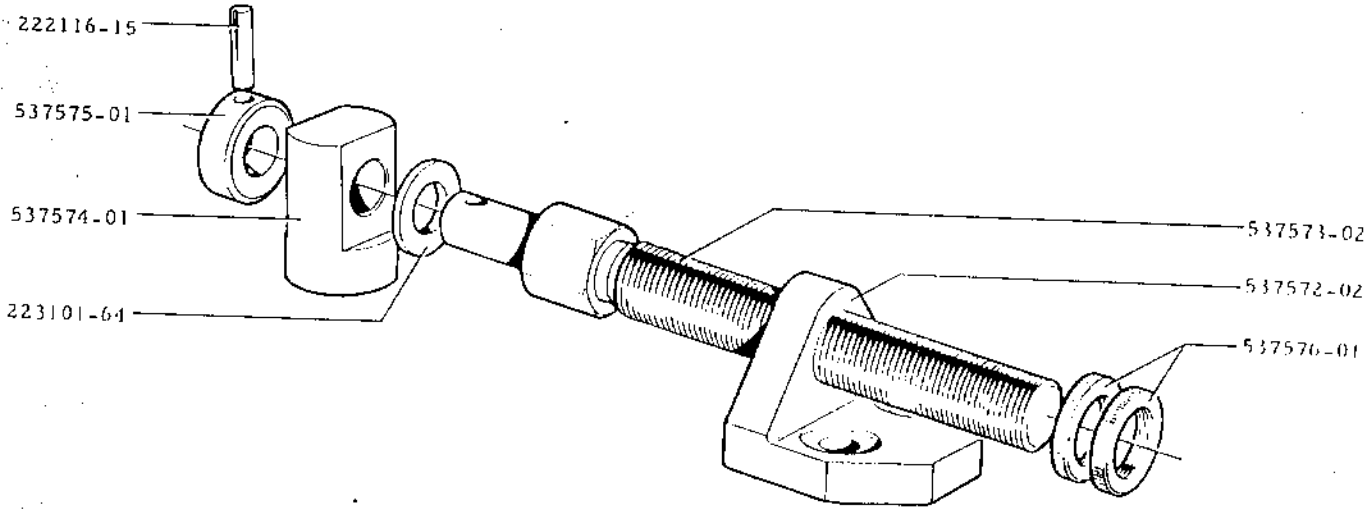


**ALFA-LAVAL**

Typ BRPX 417 SSPX 417	Machine Unit No 537461-97/98	Description CARTRIDGE Benämning SPINDELENHET	Issue 1/78 Page 301:1
-----------------------------	---------------------------------	-------------------------------------------------------	--------------------------

SO 2208-3

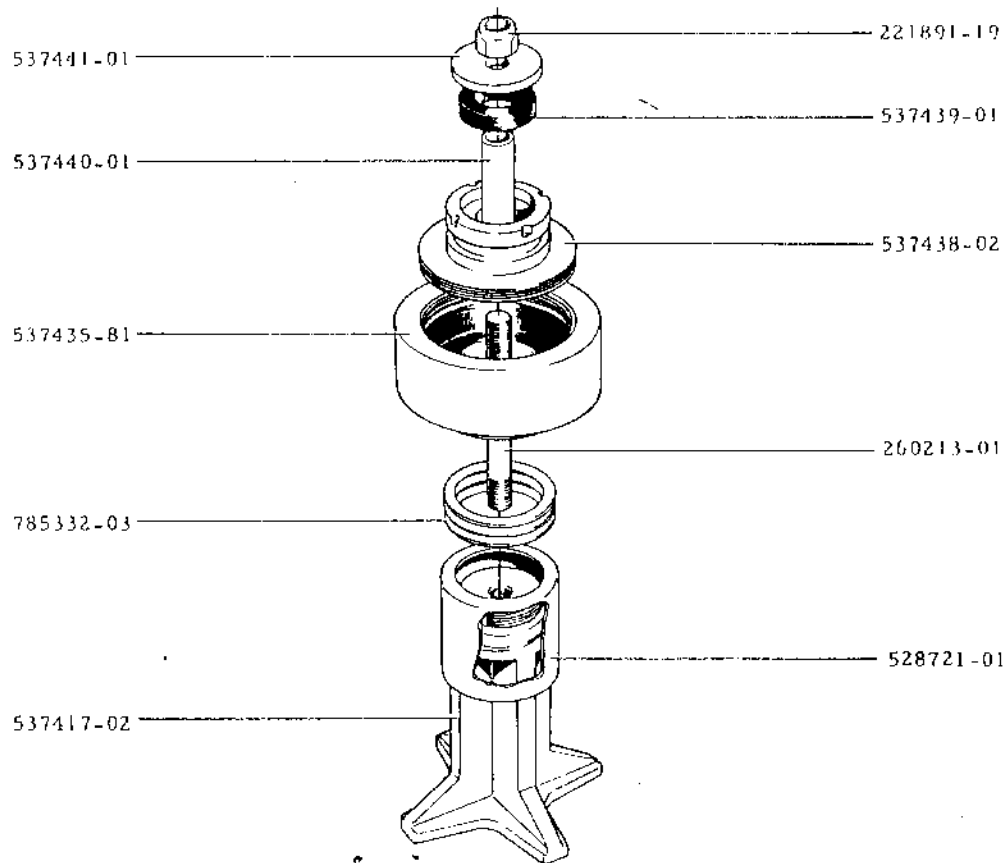
536434-81



**ALFA-LAVAL**

Type BRPX 417 SSPX 417	Machine Unit No 537461-97/98	Description BELT STRETCHER Bestimmung HEMSPÄNNARE	Issue 1/78
			Page 302.1
1232245			

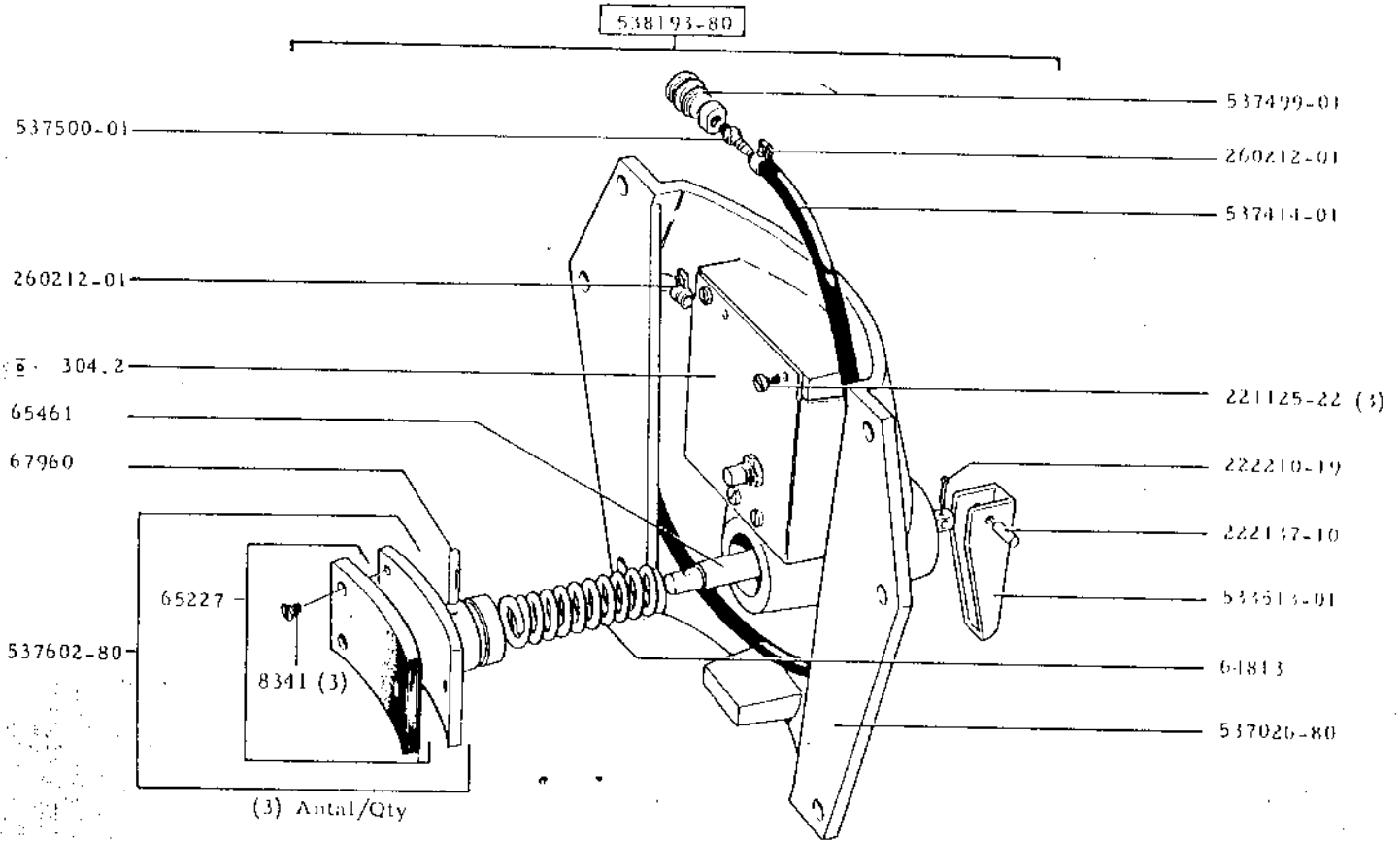
SO 2209-2



**ALFA-LAVAL**

Type BRPX 417 SSPX 417	Machine Unit No 537461-07/98	Description FRAME FOOT Bendamog STATIVFOT	Issuc 1/78
			Page 3031

SO 2210-2 1232243

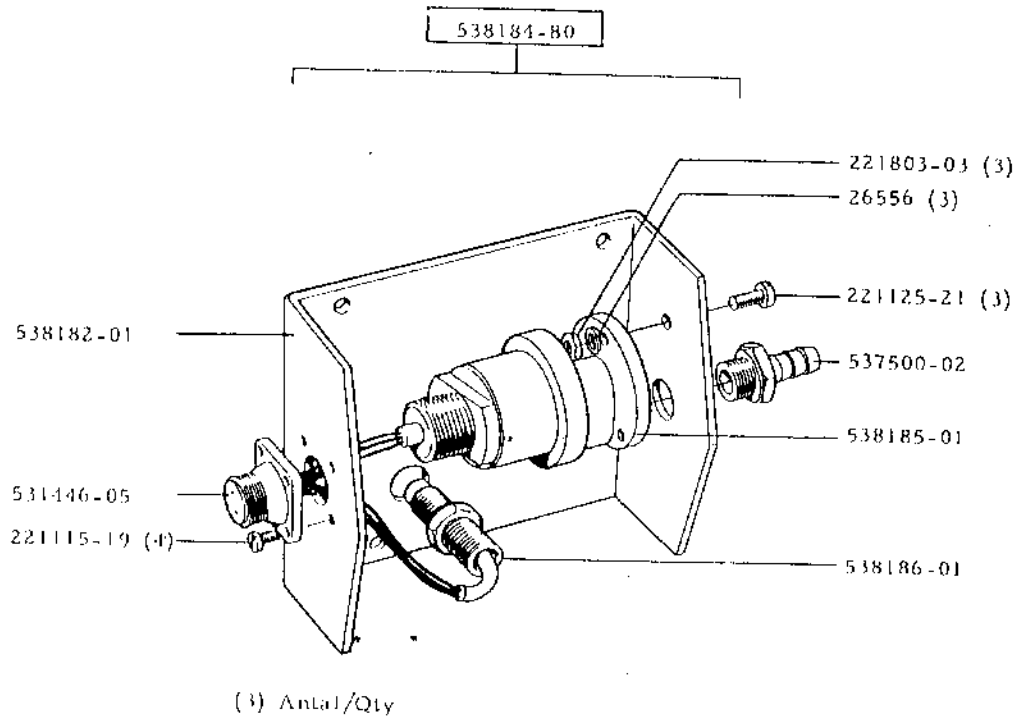


**ALFA-LAVAL**

Type BRPX 417 SSPX 417	Machine Unit No 537461-07/98	Description GUARD Beskrivning: SKYDDSKÅPA	Issue 1/78 Page 3041
------------------------------	---------------------------------	----------------------------------------------------	-------------------------

SO 2211-2

1232244

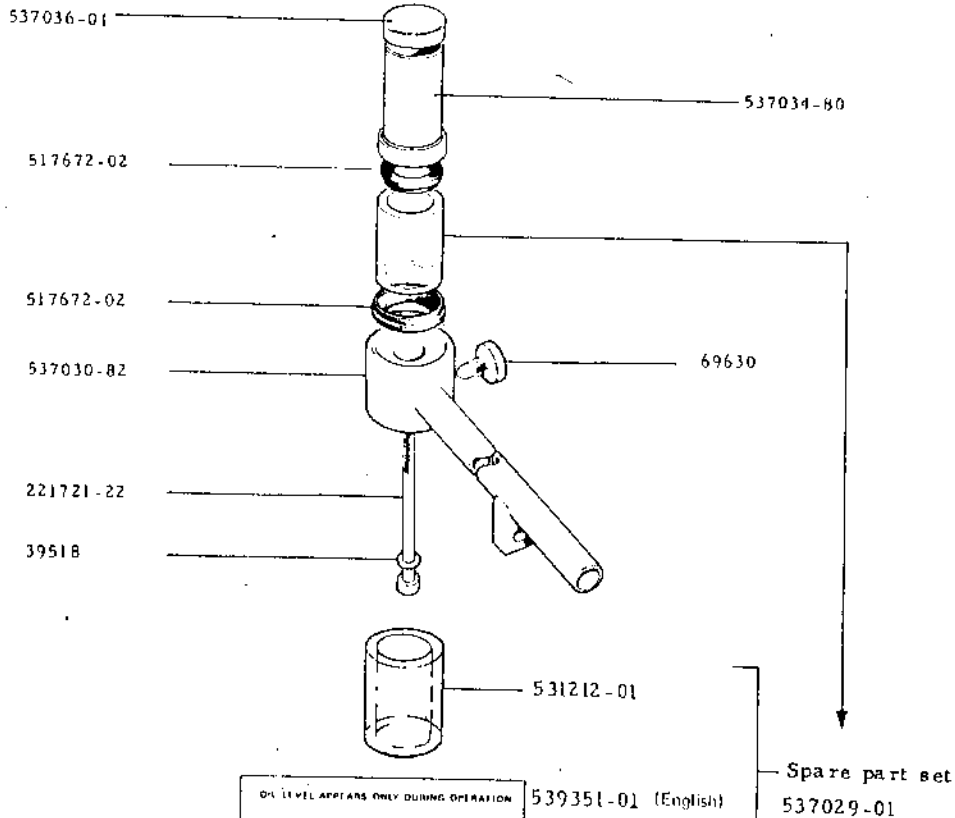


**ALFA-LAVAL**

Type BRPX 417 SSPX 417	Machine Unit No 537461-97/98	Description PROTECTING PLATE Benämning SKYDDSPÅT	Issue 1/78
			Page 304.2

SO 2212-2

1232246

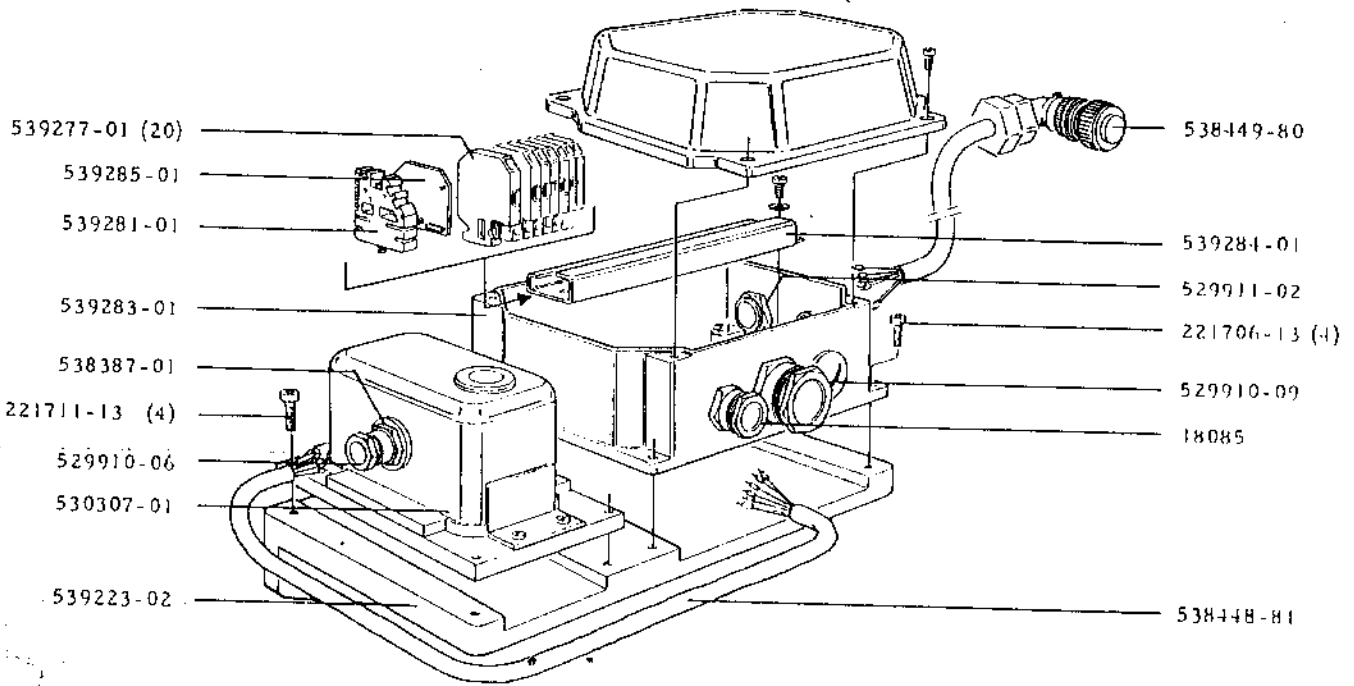


OIL LEVEL APPEARS ONLY DURING OPERATION 539351-01 (English)  
 MAX 539351-02 (German)  
 KEEP OIL LEVEL IN THIS RANGE  
 ADD DURING OPERATION  
 MIN 539351-03 (French)

**ALFA-LAVAL**

Type BRPX 417 SSPX 417	Machine Unit No 537461-97/98	Description LEVEL INDICATOR Benötigt NIVÄINDIKATOR	Issue 1/78 Page 3051
------------------------------	---------------------------------	-------------------------------------------------------------	-------------------------

539293-80

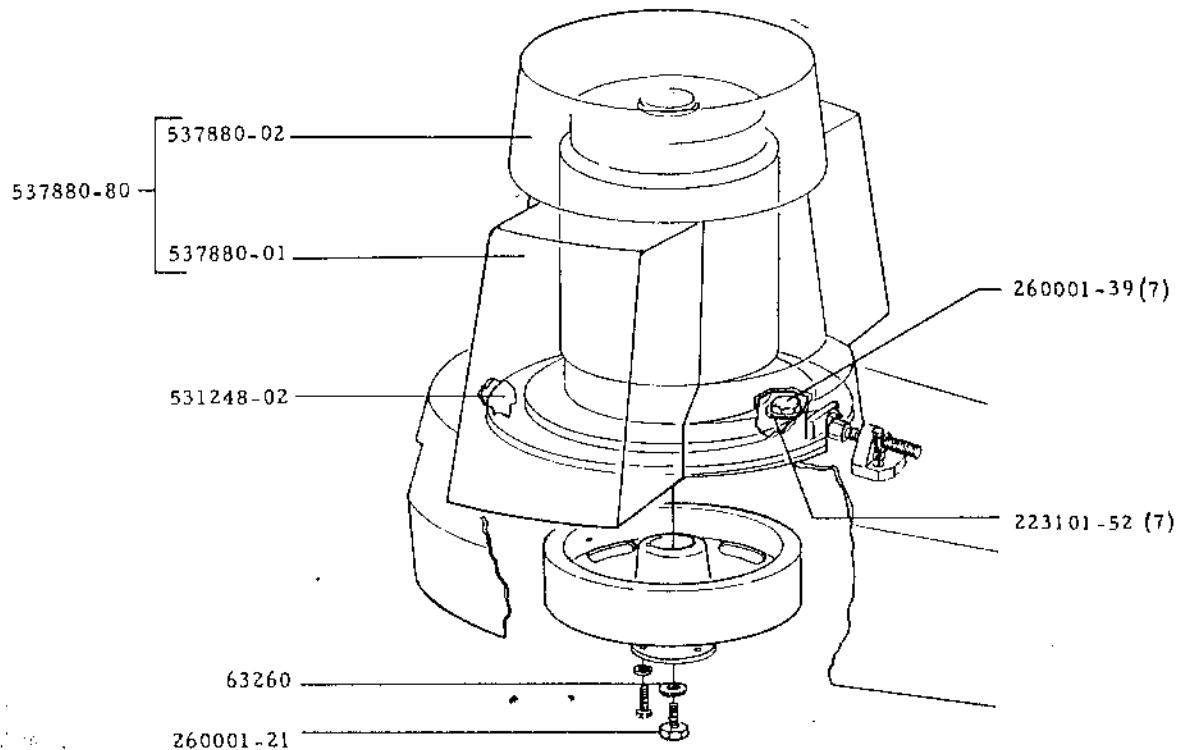


(4) Antal/Qty

**ALFA-LAVAL**

Type BRPX 417 SSPX 417	Machine Unit No 537461-97/98	Description BRACKET Benötigt KONSOL	Issue 178 Page 306.1
------------------------------	---------------------------------	----------------------------------------------	-------------------------

SO 2214-2



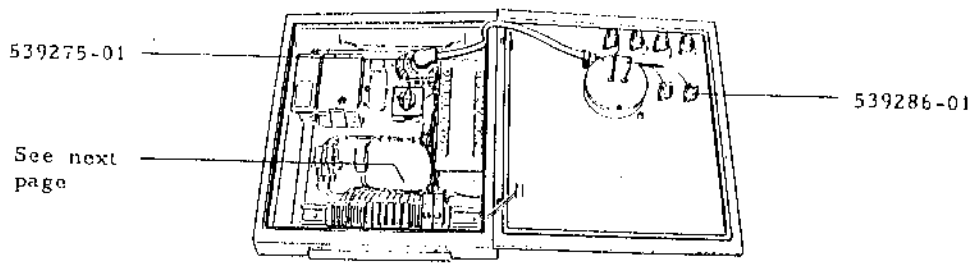
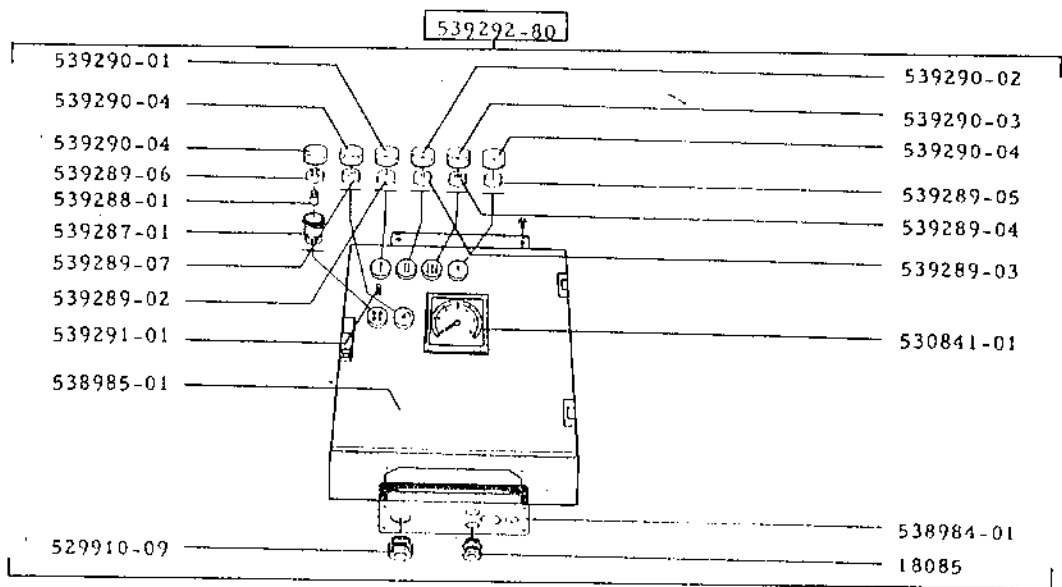
(7) Antal/Qty.

**ALFA-LAVAL**

Type BRPX 417 SSPX 417	Machine Unit No 537839-83	Description PARTS FOR MOTOR MOUNTING Benämning DELAR FÖR MOTORMONTERING	Issue 1/78
			Page 4001

SO 2215-2

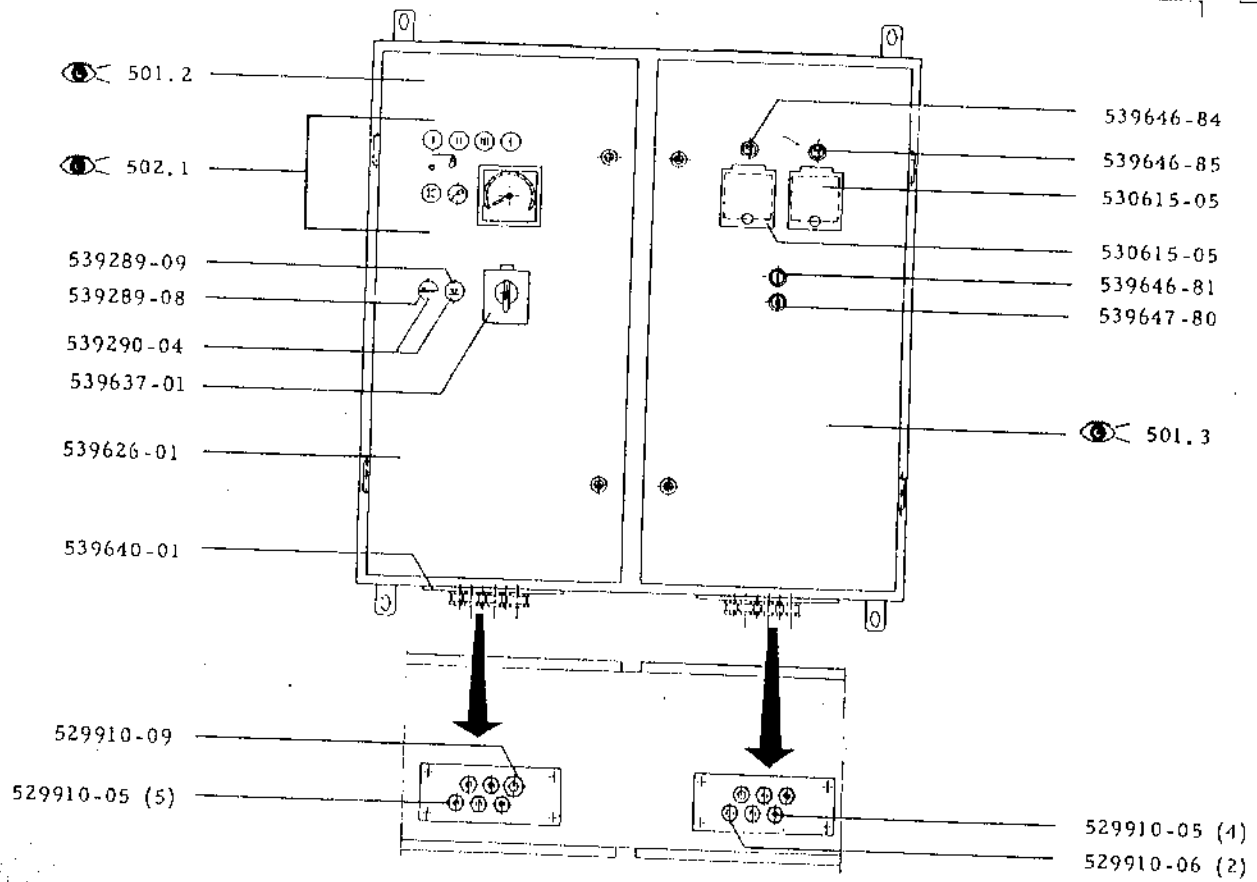
1232280



**ALFA-LAVAL**

Type BRPX 417 SSPX 417	Machine Unit No 539310-80 = 50 Hz 539310-81 = 60 Hz	Description COMPONENT BOX Besimning APPARATLÅDA	IM 50/60	Issue 1/77
				Page 500.1

SO 2216



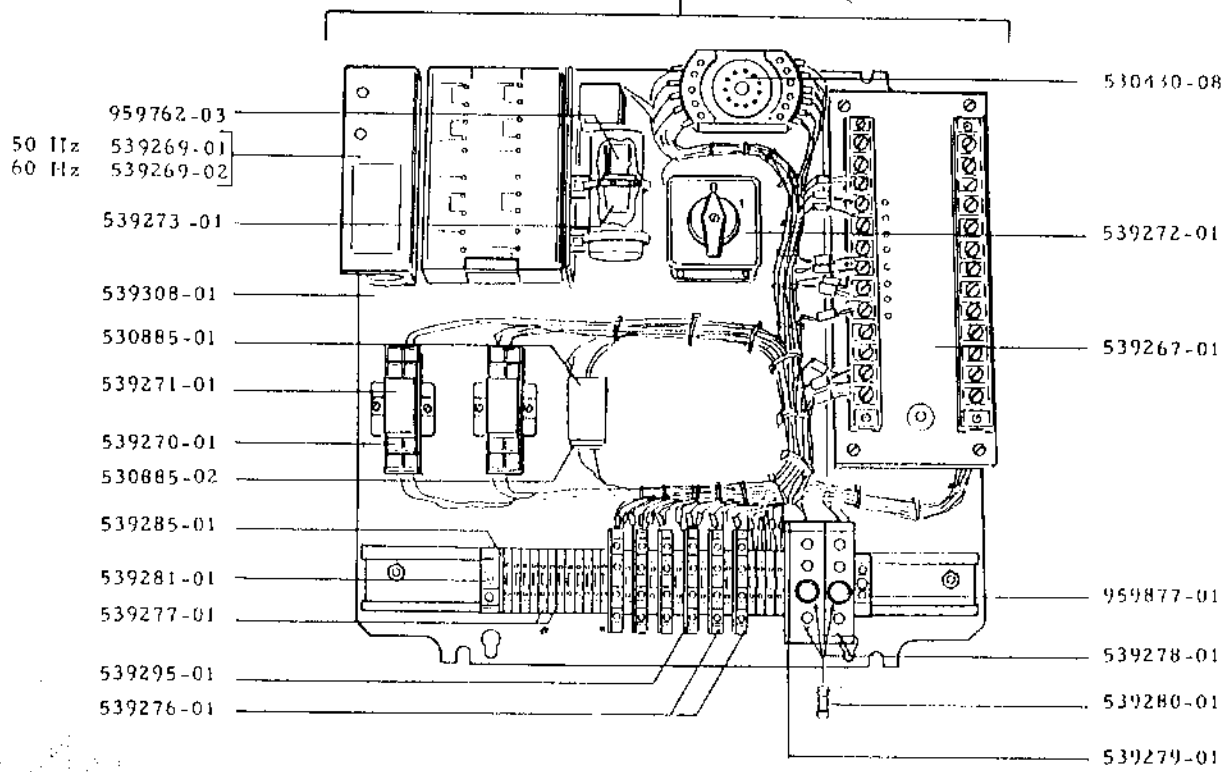
(2) Antal/Qty.

**ALFA-LAVAL**

Type BRPX 417 SSPX 417	Machine Unit No 539560-80 = 50 Hz 539560-81 = 60 Hz	Description COMPONENT BOX Benlänning APPARATLADA DPE 152	Issue 1/78 Page 500.2
------------------------------	-----------------------------------------------------------	----------------------------------------------------------------------	--------------------------------

SO 2236-2

539268-80	50 Hz
539268-81	60 Hz



**ALFA-LAVAL**

Type BRPX 417 SSPX 417	Machine Unit No.	539310-80 IMP 50	Description COMPONENT PLATE Benämning KOMPONENTPLATTA	Form 1/78
		539310-81 IMP 60		IMP 50/60

502217-2

539633-80

540195-84

539661-01

539641-01

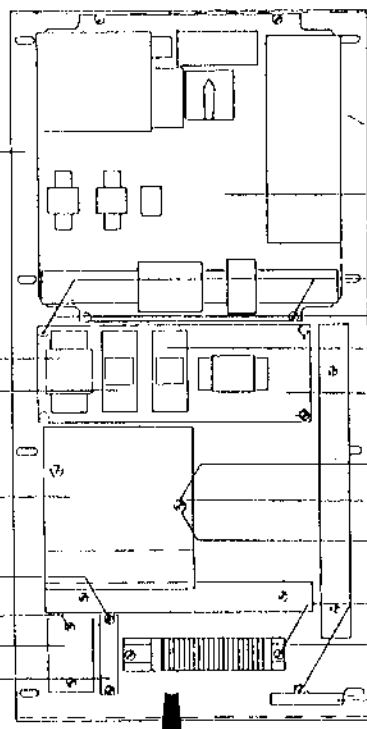
17807 (2)

17807 (2)

539638-01

539639-01

539277-01 (22)



501.1

223101-18 (4)

221125-21 (4)

539661-01

539629-80

221803-02 (2)

221030-10 (2)

223101-23 (2)

223101-18 (2)

17447 (2)

539636-01

539281-01 (2)

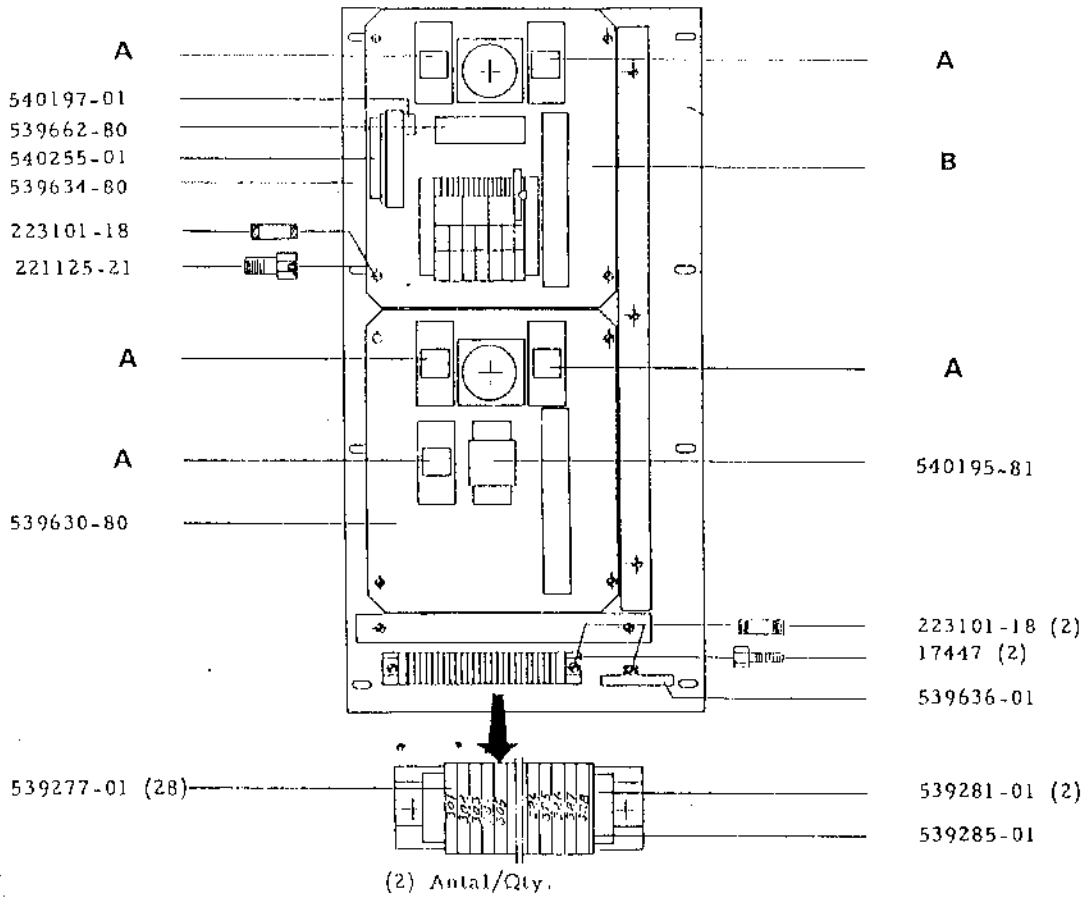
539285-01 (3)

(2) Antal/Qty.

**ALFA-LAVAL**

Type BRPX 417 SSPX 417	Machine Unit No 539560-80 = 50 Hz 539560-81 = 60 Hz	Description COMPONENT PLATE, left Beskrivning KOMPONENTPLATTA, vänster	DPE 152	Issue 1/70
				Page 501.2

50 2237-2

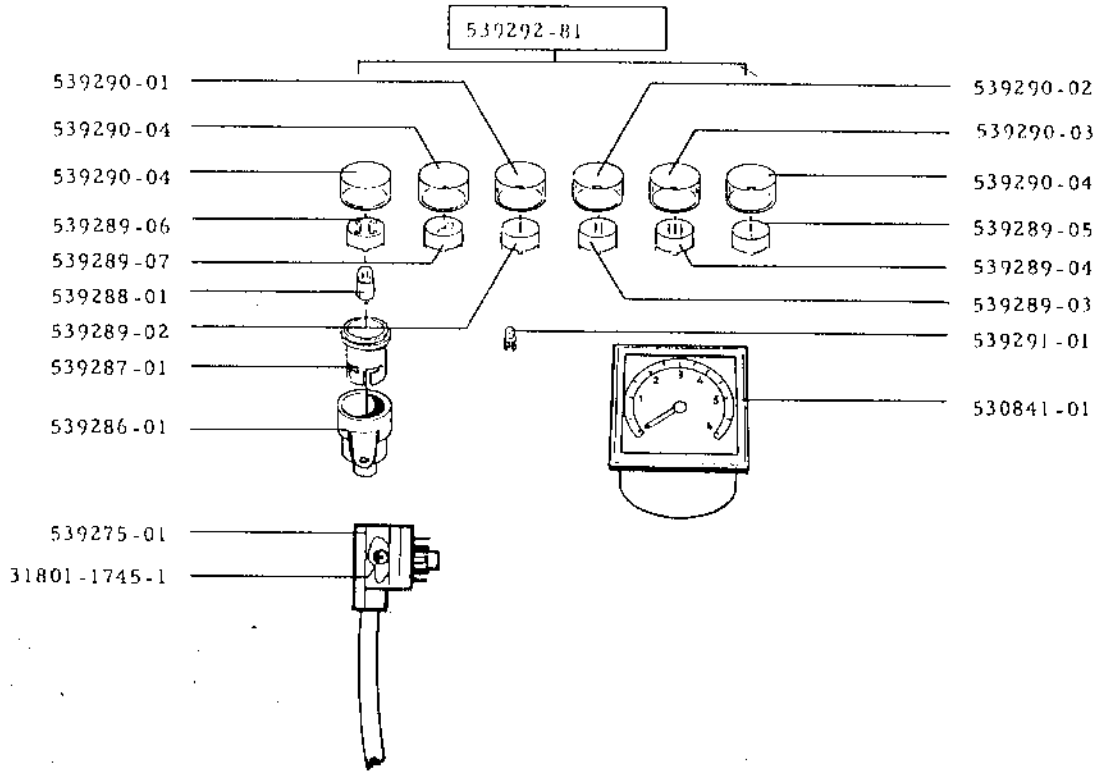


Machine Unit No.  
 539560-80  
 539560-81  
 50 Hz  
 60 Hz  
 530617-02  
 530617-01  
 A  
 B  
 530490-80  
 530490-81

**ALFA-LAVAL**

Type BRPX 417 SSPX 417	Machine Unit No	539560-80 = 50 HZ	Description COMPONENT PLATE, right Benämning KOMPONENTPLATTA, höger	DPE 152	Issue	1/78
		539560-81 = 60 Hz			Page	501.3

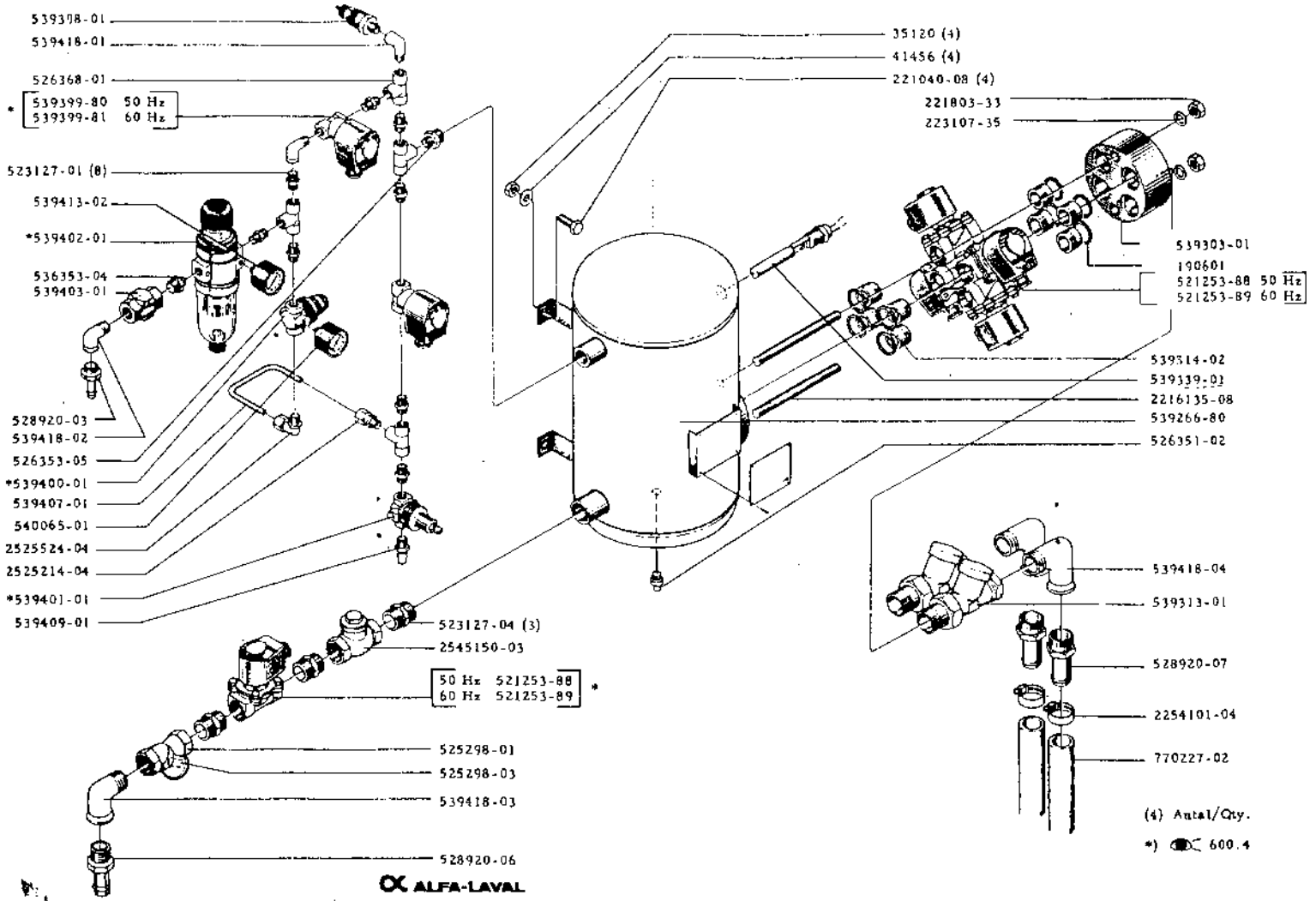
SO 2238-2



**ALFA-LAVAL**

Type BRPX 417 SSPX 417	Machine Unit No 539292-81	Description SET OF PANEL COMPONENTS Benämning: PANELKOMPONENTSATS	Issue 177 Page 502.1
------------------------------	------------------------------	----------------------------------------------------------------------------	-------------------------------

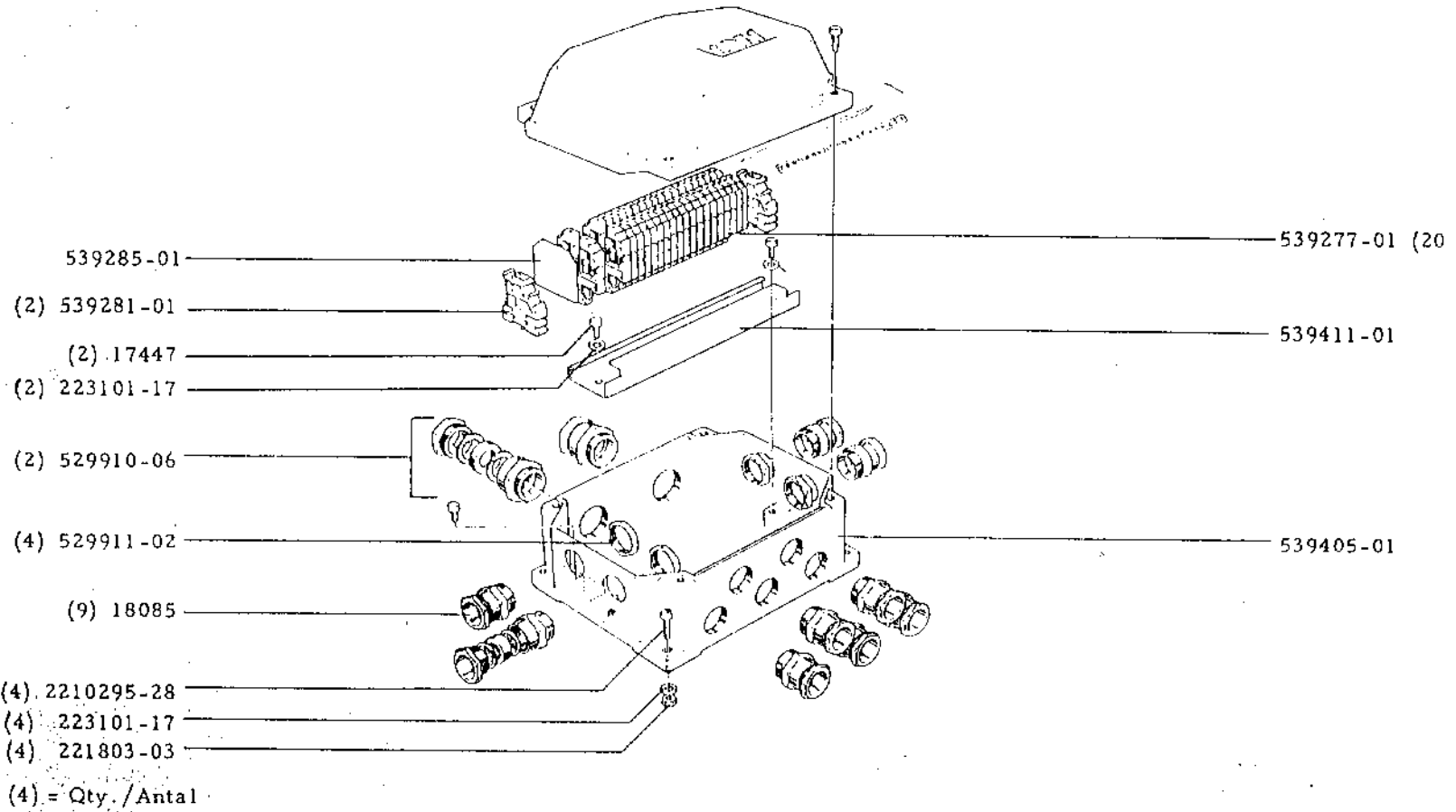
SO 2218



**ALFA-LAVAL**


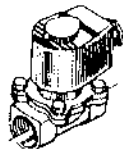


Type BRPX 417 SSPX 417	Machine Unit No 539362-80/81/82/83	Description OPERATING WATER MODULE Bemättnings MANÖVERVATTENMOJUL	Issue 178 Page 600 1232
------------------------------	---------------------------------------	----------------------------------------------------------------------------	-------------------------------------

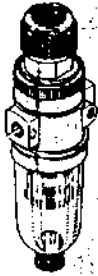


50 2222-2



**ALFA-LAVAL**

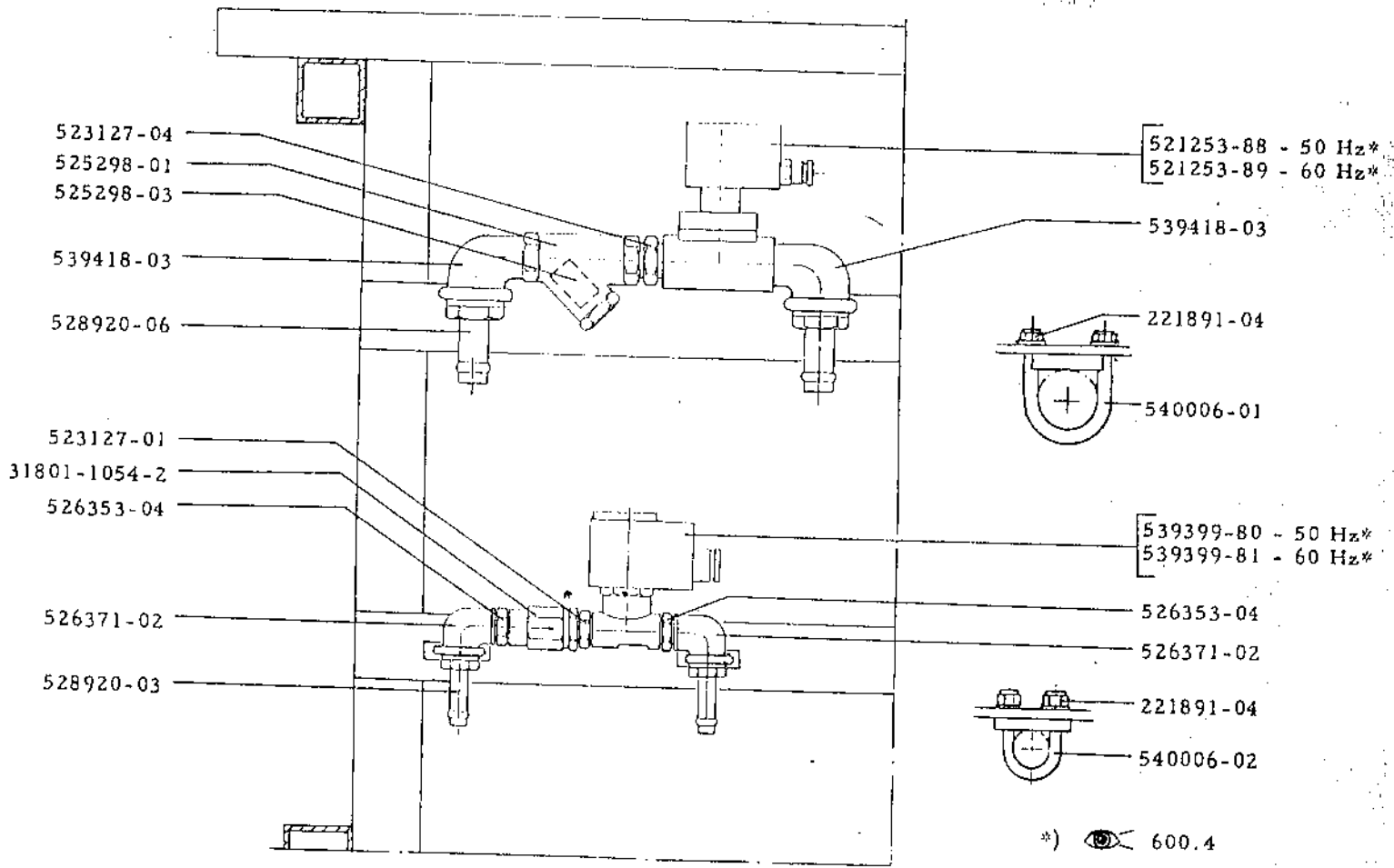
Type	Machine Unit No	Description	Issue
BRPX 417 SSPX 417	539352-82/83	JUNCTION BOX, Benämning KOPPLINGSDOOSA	1/78
2224-2			Page 600.5 1237

	50 Hz	60 Hz		50 Hz	60 Hz	
	Solenoid valve Magnetventil Electro-vanne	539399-80		539399-81	521253-88	
Spare parts Reservdelar	Ersatzteilen Pièces de rechange					
NEW NUMBER 973757. S5-007305						
	Coil Spole Spule Bobine	539399-02*	539399-03*	521253-11*	521253-12*	* Not included in the spare parts kit Ingår ej i reservdelssatsen In der Ersatzteilsatz nicht enthalten Non inclus dans le jeu de pièces de rechange
	Cable gland Kabelförskruvning Kabeleinführungshülse	529910-82	529910-84			
Spare parts kit Reservdelssats Ersatzteilsatz Jeu de pièces de rechange		539399-04	521253-09			

	539402-01		539400-01		539401-01
Repair set Reparationsatz Reparaturatz Jeu de reparation	539402-02		539400-02		539401-02

**ALFA-LAVAL**

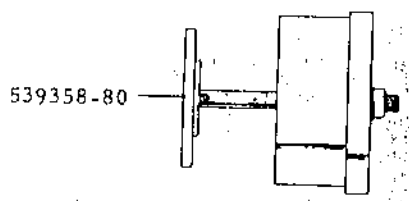
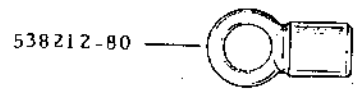
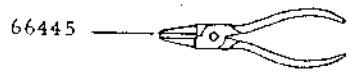
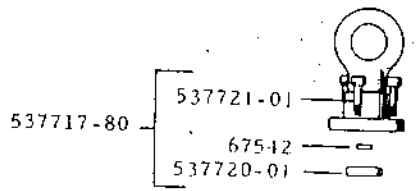
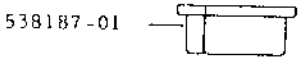
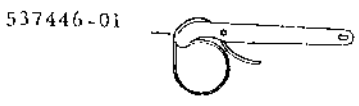
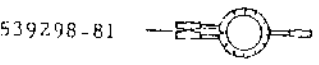
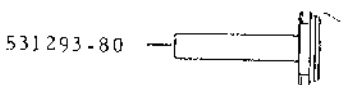
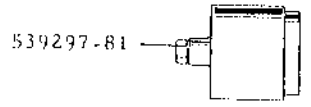
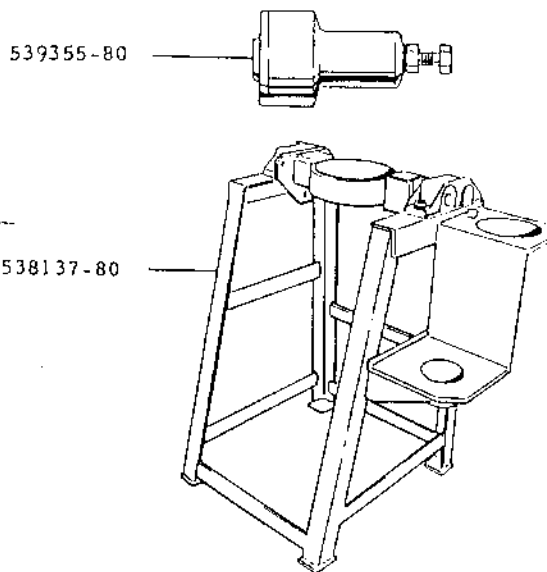
Type BRPX 417 SSPX 417	Machine Unit No 539352-82/83	Description OPERATING WATER MODULE Bestimmung MANÖVERVATTENMODUL	Issue 1/78 Page 600.4 1232
------------------------------	---------------------------------	---------------------------------------------------------------------------	----------------------------------------



**ALFA-LAVAL**

pc BRPX 417 SSPX 417	Machine Unit No 539352-82/83	Description OPERATING WATER MODULE Benämning MANÖVERVATTENMODUL	Issue 1/78 Page 600.5
----------------------------	---------------------------------	--------------------------------------------------------------------------	--------------------------

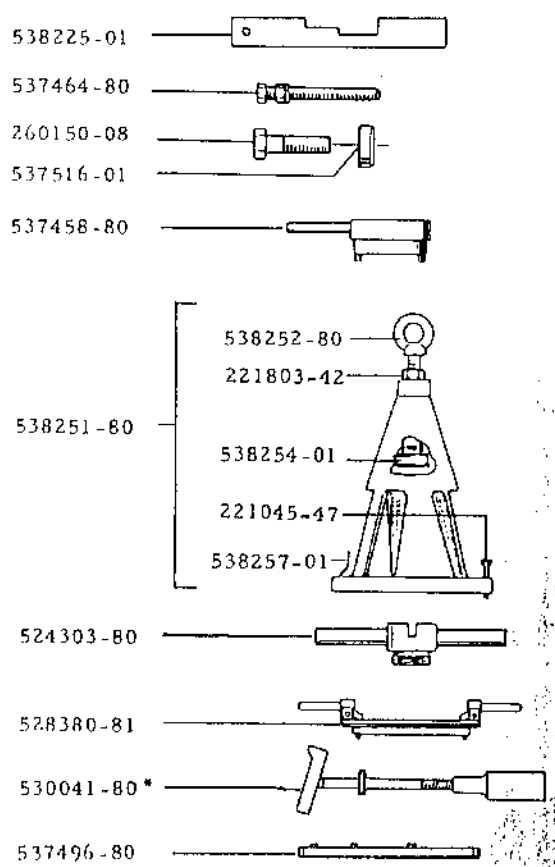
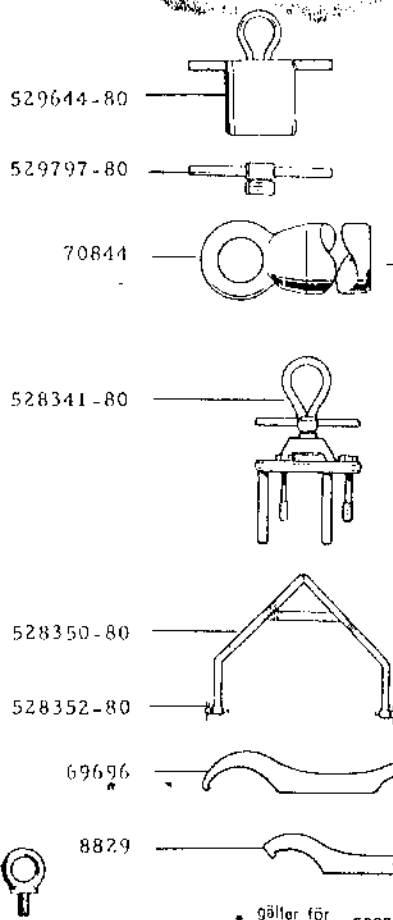
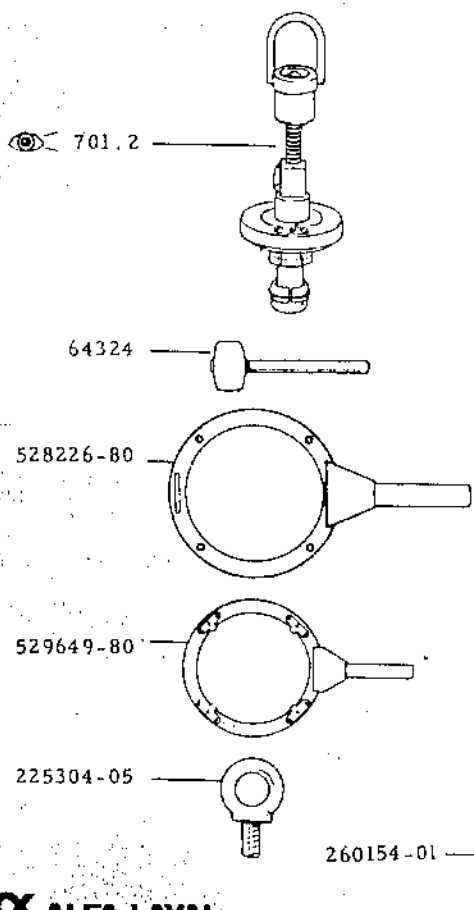
367



**ALFA-LAVAL**

Type BRPX 417 SSPX 417	Machine Unit No 538066-80	Description SET OF TOOLS CARTRIDGE Benämning: VERKTYGSSATS	Issue 1/78 <hr/> Page 7001
------------------------------	------------------------------	---------------------------------------------------------------------	-------------------------------------

1232228



**ALFA-LAVAL**

\* gäller för 538292-80  
valid for

Type BRPX 417 SSPX 417	Machine Unit No 538292-80 538292-81	Description SET OF TOOLS Benämning VERKTYGSSATS	Issue 1/77 Page 701.1
------------------------------	-------------------------------------------	----------------------------------------------------------	--------------------------------

SO 2220 - 2

535728-80

535728-81

221891-19  
223101-55  
226314-27  
260189-01

530035-80  
226211-02  
221851-12

535728-82

535731-01

260189-02

221230-10

530033-01

536791-01

535726-01

64416

260189-02

260189-01

260189-02

535724-01

223406-66

530028-01

530028-01

530029-02

536552-02

538779-80

538777-01

535727-80

535723-80

535722-02

535712-01

**ALFA-LAVAL**

Type BRPX 417 SSPX 417	Machine Unit No 538292.80/81	Description COMPRESSION TOOL Benämning HOPPRESSNINGSVÄRKTÖG	Issue 1/78 Page 701.2
------------------------------	---------------------------------	----------------------------------------------------------------------	--------------------------------

SO 2221-2