

Hutchison-Hayes Separators, Inc.

Model SAMN 5036 Parts List With Diagrams

P.O. Box 2965 ♦ Houston, Texas 77252
3520 East Belt ♦ Houston, Texas 77015
(713) 455-9600 ♦ Fax (713) 455-7753

SEPARATOR ASSEMBLY SAMN 5036

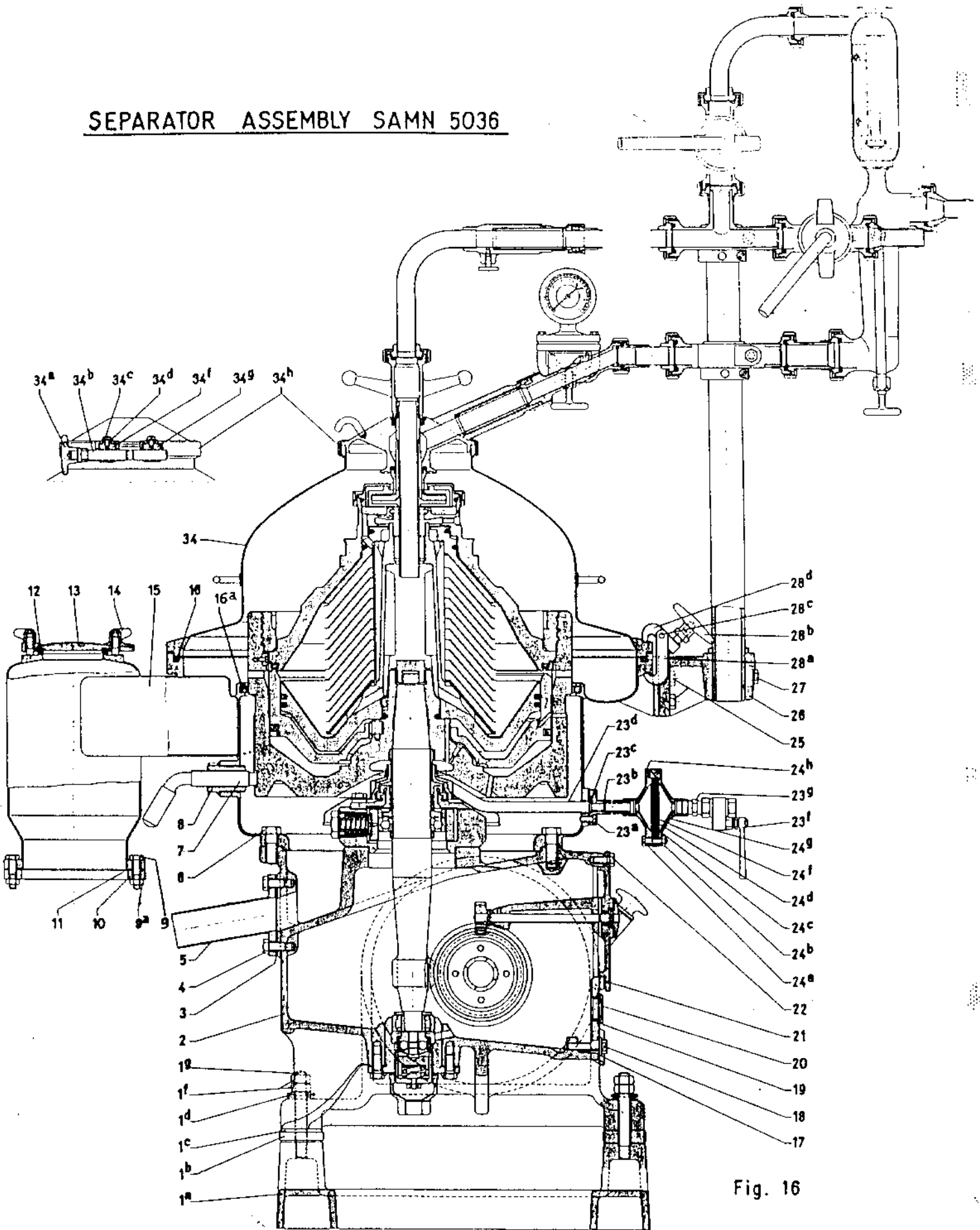


Fig. 16

FRAME AND HOOD SAMN 5036

=====

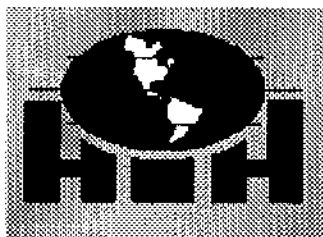
List of Parts shown in Figures 16 and 20

Item No.	Fig.	Part Description	Number of Pieces	Part-No.
-	16	Frame assembly (1-33)	1	3163-1100-010
-	16	Base plate assembly (1a-g) (see Fig. 82 also)	1	3036-1020-050
1a	16	Base plate	1	3036-1003-020
1b	16	Ring (for rubber cushion)	4	3037-1015-010
1c	16	Rubber cushion	4	0021-3015-750
1d	16	Cup spring	12	0006-4331-010
1f	16	Hexagon nut M 16 DIN 934-40 kad.	8	0013-0282-030
1g	16	Stud M 16x140 DIN 939-50 kad.	4	0019-7742-090
2	16	Lower frame part	1	3163-1001-000
-	-	Cover	1	3037-1085-020
-	-	Triangular head screw AM 10x15 DIN 22424-50 verchr.	1	0019-8594-100
-	-	Lock washer	1	0026-1327-170
-	-	Safety cap	1	3037-1381-000
3	16	Gasket 52 mm dia./80x122x2	1	0004-5457-740
4	16	Hexagon screw M 12x25 DIN 933-50 Kupr. verchr.	2	0019-6968-550
5	16	Drain pipe	1	3036-1045-000
6	16	Hexagon screw M 16x15 DIN 931-50 Kupr. verchr.	4	0019-6605-550
7	16	Bowl locking screw	2	0019-0895-160
8	16	Threaded sleeve	2	0019-0783-300
9	16	Hexagon screw M 10x15 DIN 931-50 Kupr. verchr.	6	0019-6513-550
9a	16	Hexagon nut M 10 DIN 934-50 Kupr. verchr.	6	0013-0279-550
10	16	Flange	1	0001-0210-400
11	16	Gasket 100/180 mm dia. x 2	1	0004-5193-750
12	16	Gasket 94/110 mm dia. x 8	1	0007-2150-750
13	16	Inspection cover	1	3145-1061-010
14	16	Hat nut	2	0013-2852-640
15	16	Sludge catcher	1	3163-1018-010
16	16	Sealing cord (hood-sludge catcher)	1	0004-2364-758
16a	16	Sealing cord (sludge catcher)	1	8x8x2200 0004-2365-768
17	16	Gasket 17/28 mm dia. x 2 (for item 18)	1	10x10x1600 0004-1874-710
18	16	Oil drain screw	1	0019-0291-640
19	16	Gasket 35/44 mm dia. x 1.5 (for item 20)	1	0004-5034-760
20	16	Sight glass assembly	1	0001-0006-640
21	16	Gasket 165/202 mm dia. x 1 (for item 234)	1	0004-5358-700
22	16	Hexagon screw (for item 234) M 10x25 DIN 933-50 Kupr. verchr.	3	0019-6935-550
-	16	Operating water feed assembly (23a-g)	1	3163-1297-000
23a	16	Cylindrical screw AM 8x20 DIN 84-18Cr 8 Ni	3	0019-2265-300
23b	16	Flange	1	3163-1233-000
23c	16	Gasket 12/18 mm dia. x 3	1	0007-2152-750
23d	16	Operating water feed	1	3163-1219-000
23f	16	Rapid closing valve R 1/2" (operating water valve)	1	0018-1430-600
23g	16	Double nipple	1	0018-0915-260

Item No.	Fig.	Part Description	Number of Pieces	Part-No.
-	16	Filter assembly (24a-h)	1	3117-1142-010
24a	16	Hexagon screw M 8x30 DIN 931-50 Kupr. verchr.	6	0019-6492-550
24b	16	Hexagon nut M 8 DIN 934-Ms verchr.	6	0013-0278-640
24c	16	Strainer (fine mesh)	1	0377-1310-000
24d	16	Strainer (coarse mesh)	1	0377-1315-000
24f	16	Gasket 75/90 mm dia. x 2.5	3	0007-2398-700
24g	16	Housing	1	3117-1138-010
24h	16	Cover	1	3117-1134-010
25	16	Hexagon screw M 12x25 DIN 933-50 Kupr. verchr.	2	0019-6968-550
26	16	Console (for item 95)	1	3033-1145-010
27	16	Hexagon screw M 12x25 DIN 933-50 Kupr. verchr.	1	0019-6968-550
-	16	Claw assembly (28a-d)	6	3123-1127-000
28a	16	Lower claw	6	3123-1130-000
28b	16	Handle screw	6	0019-1256-690
28c	16	Cylindrical pin 8x8x32 DIN 7-18Cr 8Ni	6	0026-1099-300
28d	16	Upper claw	6	3123-1130-010
29	20	Lock washer	4	0026-1328-170
30	20	Triangular head screw (for item 33) AM 12x40 DIN 22424-50 verchr.	4	0019-8621-100
-	20	Brake assembly (31a-f)	2	1073-1043-020
31a	20	+) Brake lining	2	0021-4100-880
-	-	+) Countersunk rivet (for item 31a) 4x13 DIN 661-Cu	4	0026-1262-550
31b	20	Brake bolt assembly	2	1073-1031-020
31c	20	Cylindrical pressure spring	2	0006-4337-160
31d	20	Handle	2	0021-3515-690
31g	20	Brake housing	2	0021-3544-640
31f	20	Gasket	2	0004-1872-720
32	20	Pointed threaded pin M 8x10 DIN 553-40	2	0019-5050-000
33	20	Protection cap	1	3163-1066-010
34	16	Hood assembly (34-h)	1	3163-7759-010
-	16	++) Clamp ring (34a-h)	1	1033-7719-010
34a	16	Handle	1	0021-3122-640
34b	16	Threaded bolt	1	1033-1129-000
34c	16	Lens head screw AM 6x10 DIN 85-Ms verchr.	2	0019-2507-640
34d	16	Washer	2	0026-1343-300
34f	16	Threaded piece (right-hand thread)	1	1033-7717-010
34g	16	Threaded piece (left-hand thread)	1	1033-7717-000
34h	16	Clamp ring	1	1033-7718-000

+) This part is included in brake bolt assembly, item 31b; it can, however, also be supplied separately.

++) This part is included in hood assembly, item 34; it can, however, also be supplied separately.



Hutchison-Hayes Separators, Inc.

This is a Spacer Page

P.O. Box 2965 ♦ Houston, Texas 77252
3520 East Belt ♦ Houston, Texas 77015
(713) 455-9600 ♦ Fax (713) 455-7753

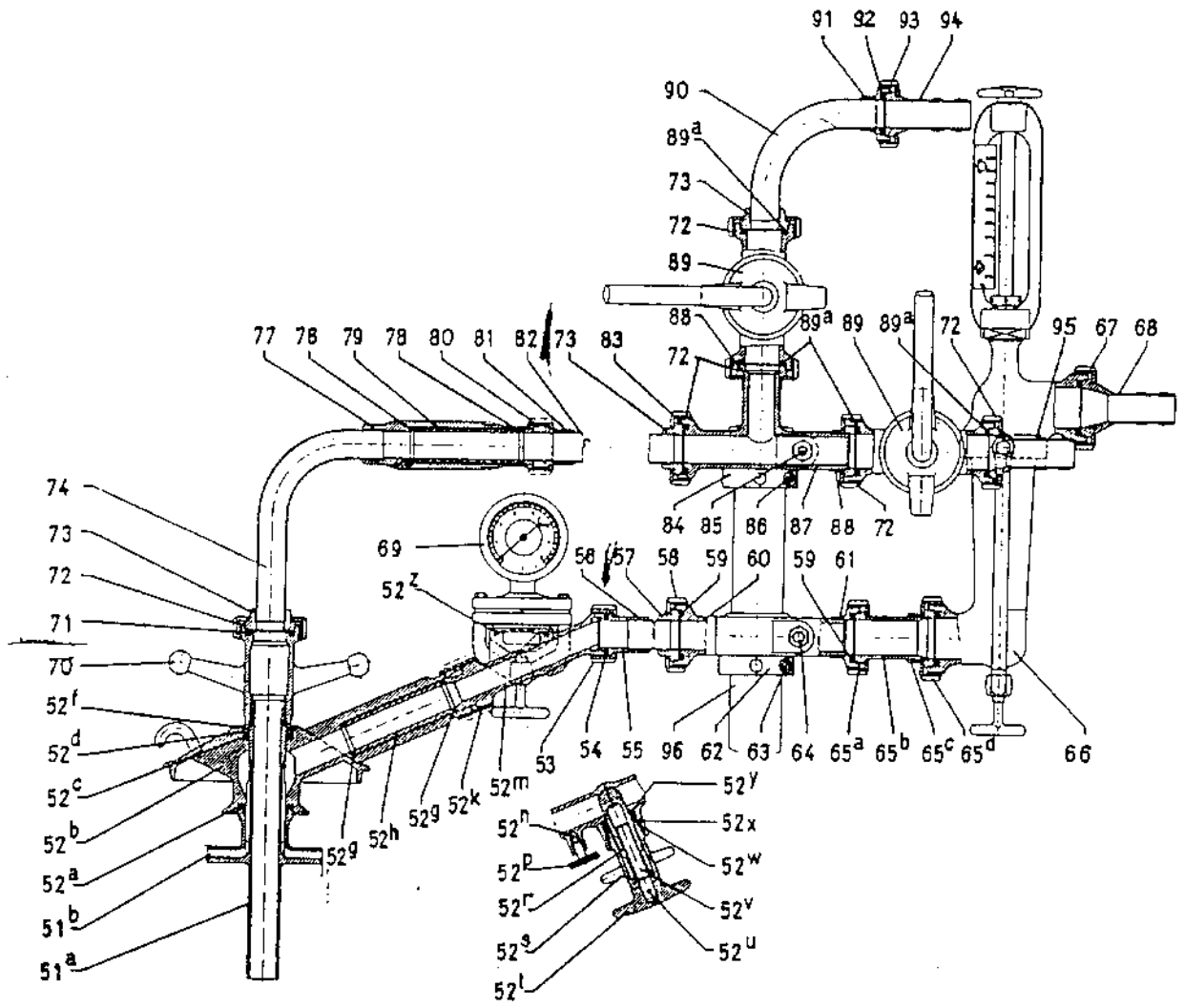


Fig. 17

CENTRIPETAL PUMP, AND FEED AND DISCHARGE CONNECTIONS SAMN 5036
 =====

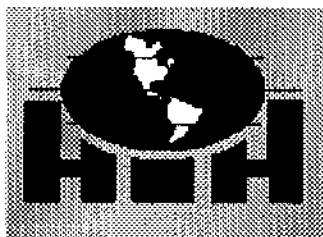
List of Parts shown in Fig. 17

Item No.	Part Description	Number of Pieces	Part-No.
-	Centripetal pump assembly (51a-b)	1	3163-2213-L
51a	Lower part of centripetal pump	1	3163-2245-L
51b	Upper part of centripetal pump	1	3036-2242-L
-	Feed and discharge assembly (52a-95)	1	3163-2296-010
-	Discharge line assembly (52a-67)	1	3163-2171-010
-	Discharge assembly with valve connection (52a-z)	1	3163-2295-010
52a	Lower gasket 40/50 mm dia. x 5	1	0007-2245-750
52b	Discharge	1	3163-2285-000
52c	Lower gasket 35/47 mm dia. x 6	1	0007-2288-750
52d	Washer	1	0026-5522-400
52f	Expanding ring	1	0026-1462-500
52g	Gasket 25.5/33.5 mm dia. x 4	2	0007-2299-750
52h	Cylindrical sight glass	1	0001-0090-820
52k	Hexagon nut M 45 x 1.5 left-hand/right-hand thread WSN 13 - 6/4, 8z verchr.	1	0013-3060-540
52m	Valve connection	1	3036-2287-020
52n	Ball	1	0026-1493-400
52p	Knurled screw	1	0019-0222-300
-	Stuffing box assembly (52r-v)	1	1072-2273-010
52r	Round slide valve	1	1072-2279-010
52s	Stuffing box	1	1072-2284-000
52t	Handle	1	0021-3103-640
52u	Cylindrical pin 4x8x30 WSN 26 - 2/3, 18 Cr 8 Ni	1	0026-1062-300
52v	Threaded bolt	1	1072-2278-000
52w	Expanding ring	1	0026-1445-500
52x	Washer	1	0026-5508-300
52y	Gasket 22/32 mm dia. x 5	2	0007-2285-750
52z	Gasket 42/52 mm dia. x 5 (for item 69)	1	0007-2210-750
53	Cap nut R 1 1/4" WSN 13 - 36, 18 Cr 8 Ni	1	0013-2841-300
54	Gasket 27/35 mm dia. x 4	1	0007-2243-750
55	Connecting piece	1	0018-4666-400
56	Bend	1	0002-6265-400
57	Cone connection	1	0018-3938-400
58	Cap nut 32 DIN 11851, 18 Cr 8 Ni	1	0013-2843-300
59	Gasket 36/46 mm dia. x 5	2	0007-2209-750
60	Cock connecting piece	1	3036-2193-020
61	Threaded connecting piece	1	0018-4108-400
62	Adjusting sleeve	1	0018-2800-690
63	Cylindrical screw AM 8x20 DIN 84-50 Kupr. verchr.	1	0019-2265-550
64	Hexagon screw M 12x55 DIN 931-50 Kupr. verchr.	1	0019-6537-550

Item No.	Part Description	Number of Pieces	Part-No.
-	Connecting piece assembly (65a-d)	1	3163-2166-000
65a	Cap nut 32 DIN 11851, 18 cr 8 Ni	1	0013-2843-300
65b	Cone connection	1	0018-4188-400
65c	Cone connection	1	0018-3949-400
65d	Cap nut 40 DIN 11851, 18 Cr 8 Ni	1	0013-2844-300
66	Flowmeter assembly (see Fig. 18)	1	see page 40
67	Cap nut 40 DIN 11 851, 18 Cr 8 Ni	1	0013-2844-300
68	+) Hose connecting piece (for discharge line)	1	3037-2222-030
68	+) Cone connection (for discharge line)	1	0018-4153-040
69	Pressure gauge assembly	1	8918-2000-230
70	Handle connection piece	1	3036-2191-020
71	Gasket 36/46 mm dia. x 5	1	0007-2209-750
-	Feed line assembly (72-92)	1	3163-2215-010
72	Cap nut 32 DIN 11851, 18 Cr 8 Ni	6	0013-2843-300
73	Cone connection	3	0018-3938-400
74	Bend	1	0002-6220-400
77	Sight glass housing	1	0964-2817-020
78	Gasket 25,5/33,5 x 4	2	0007-2299-750
79	Cylindrical sight glass	1	0001-0090-820
80	Hexagon cap nut 42x1/11" M20 13-33/1, z. verchr.	1	0013-2817-540
81	Annular piece	1	0964-2808-020
82	Bend	1	0002-6266-400
83	Gasket 36/46 mm dia. x 5	1	0007-2209-750
84	Adjusting sleeve	1	0018-2800-690
85	Hexagon screw M 12x55 DIN 931-5D Kupr. verchr.	1	0019-6537-550
86	Cylindrical screw AM 8x20 DIN 84-5D Kupr. verchr.	1	0019-2265-550
87	Cock connection piece	1	3036-2194-030
88	Cone connection	2	0018-3943-400
89	Straight-way cock assembly	2	0018-3971-400
89a ++)	Gasket 42/52 mm dia. x 5	4	0007-2209-750
90	Bend	1	0002-6180-400
91	Threaded connection piece	1	0018-4103-400
92	Gasket 30/40 mm dia. x 5	1	0007-2208-750
93	Cap nut 25 DIN 11851, 18 Cr 8 Ni	1	0013-2842-300
94	+) Hose connection (for flush water connection)	1	3034-2222-010
94	+) Cone connection (for flush water connection)	1	0018-3939-400
95	+) Hose connection (for feed line)	1	3036-2222-020
95	+) Cone connection (for feed line)	1	0018-3938-400
96	Support assembly	1	3163-2206-000

+) Optional

++) This part is included in straight-way cock assembly, item 89; it can, however, also be supplied separately.



Hutchison-Hayes Separators, Inc.

This is a Spacer Page

P.O. Box 2965 ♦ Houston, Texas 77252
3520 East Belt ♦ Houston, Texas 77015
(713) 455-9600 ♦ Fax (713) 455-7753

FLOWMETER SAMN 5036

(for discharge line)

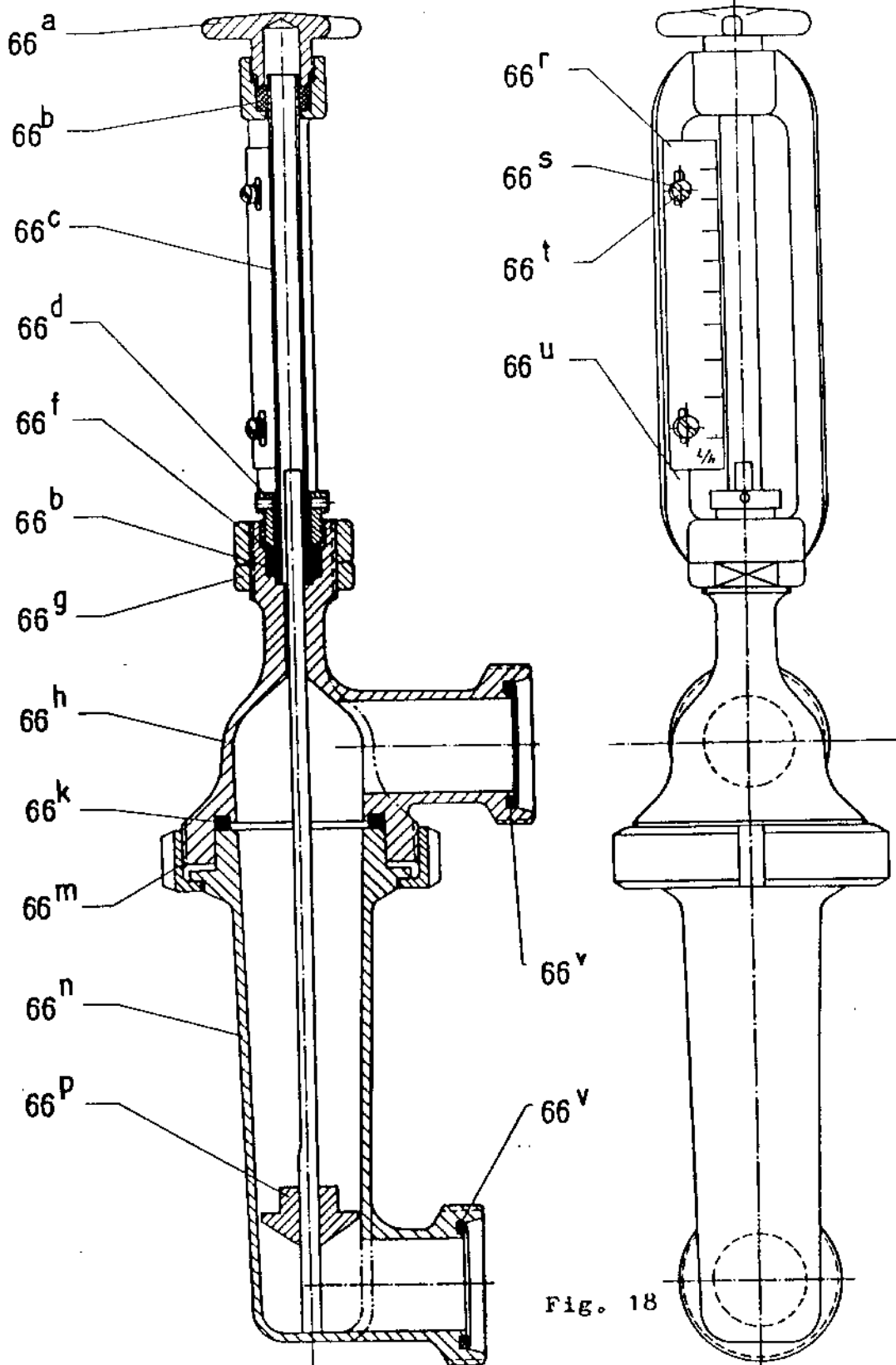


Fig. 18

FLOWMETER SAMN 5036

=====

(for discharge line)

Measuring range: 400 - 2200 Imp.Gals.

List of Parts shown in Fig. 18

Item No.	Part Description	Number of Pieces	Part-No.
-	Flowmeter assembly (66a-w) (see Fig. 17 also, Nr. 66)	1	8021-2100-090
66a	Handle screw	1	0019-1731-640
66b	Gasket 14/22 mm dia. x 10	2	0007-2298-750
66c	Cylindrical sight glass	1	0001-0083-820
66d	Pressure screw	1	8020-2208-000
66f	Washer	1	0026-1375-300
66g	Counter-nut	1	0013-3010-640
66h	Discharge pipe	1	8021-2003-120
66k	Gasket 56/68 mm dia. x 6	1	0007-2279-750
66m	Cap nut	1	0013-2846-300
66n	Inlet cup	1	8021-2001-120
66p	Floating cone assembly	1	8021-2112-010
66r	Scale	1	8021-2117-110
66s	Gasket 4,5/8,5 mm dia. x 1	2	0004-5261-720
66t	Lens head screw AM 4x8 DIN 85 Ms. verchr.	2	0019-2478-640
66u	Intermediate piece	1	8020-2002-000
66v	Gasket 42/52 mm dia. x 5	2	0007-2210-750

VERTICAL GEAR PARTS SAMN 5036 (gas-tight)

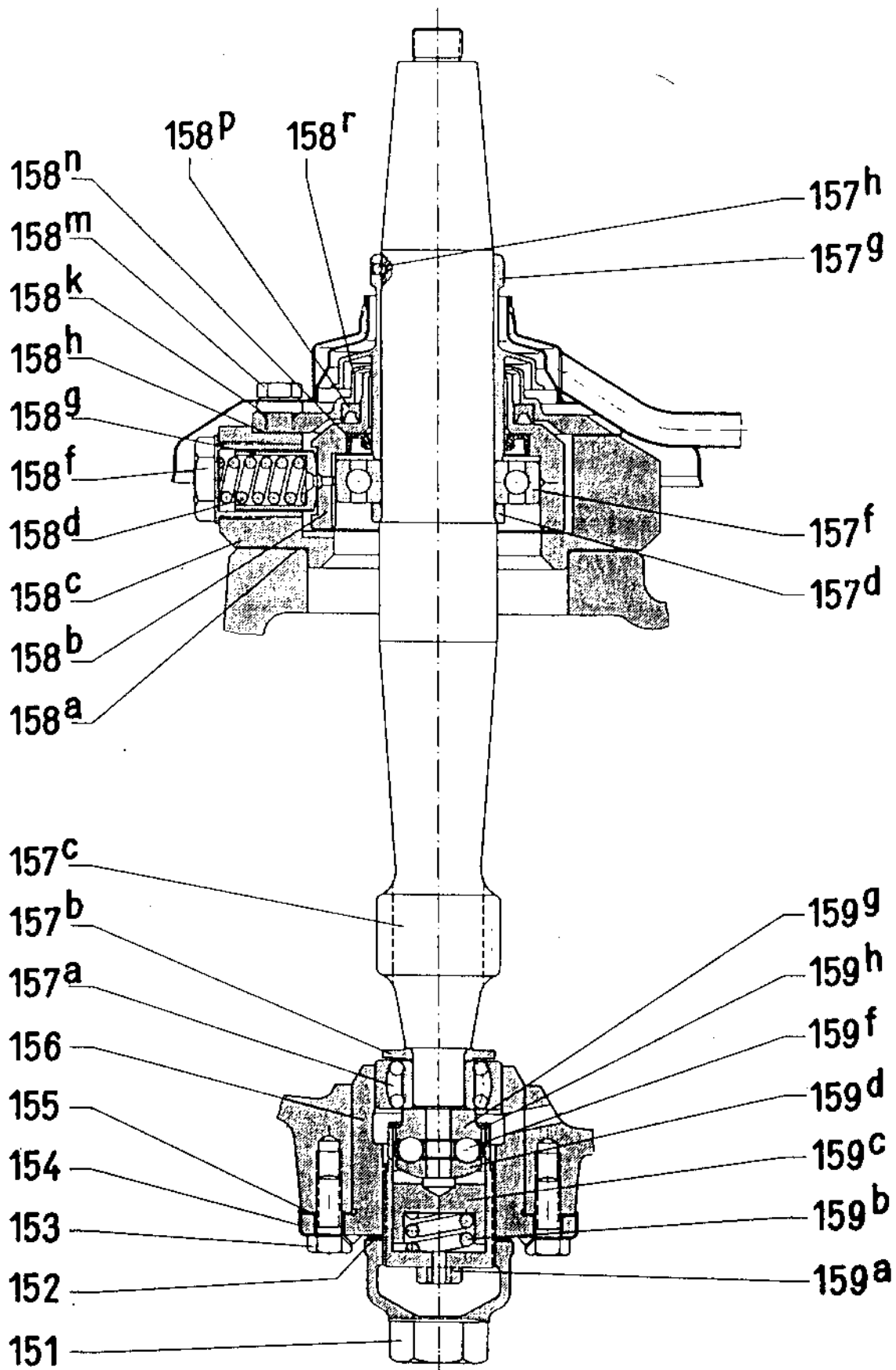


Fig. 19

VERTICAL GEAR PARTS SAMN 5036 (gas-tight) FOR MOTORS n = 1450 rpm
 =====

(for gear parts for motors n = 1770 rpm: see page 48)

List of Parts shown in Fig. 19

Item No.	Part Description	Number of Pieces	Part-No.
-	*** Gear assembly	1	3163-3300-070
151	Bottom bearing cap	1	0010-4203-200
152	Gasket 55/70 mm dia. x 2	1	0004-5048-740
153	Hexagon screw M 12x30 DIN 931-50 kad.	4	0019-6532-090
154	Safety washer	4	0026-5892-600
155	Gasket 85/135 mm dia. (for item 156)	1	0004-5252-770
156	Bottom bearing housing	1	3036-1112-010
-	*** Worm spindle assembly (157a-h)	1	3163-3429-050
157a	Pendulum ball bearing 2305 F/C 412	1	0011-2305-030
157b	Lower ball bearing locking ring	1	0008-2508-010
157c	*** Worm spindle	1	3107-3420-000
157d	Ring	1	0008-5505-000
157f	Grooved ball bearing 6211/C 412	1	0011-6211-010
157g	Spindle cap	1	0008-5551-650
157h	Threaded pin M 6x8 DIN 913-86 kad.	1	0019-6307-150
-	Neck bearing bridge assembly with covering (158a-r)	1	0008-5520-020
158a	Gasket 129/182 mm dia. x 0,3 (lower)	1	0004-5017-770
-	Neck bearing bridge assembly (158b-g)	1	0008-5510-120
158b	Neck bearing pressure ring	1	0008-5507-130
158c	Neck bearing bridge	1	0008-5506-000
158d	Set of neck bearing springs (6 springs)	1	0006-4240-060
158f	Threaded nipple	6	0019-1426-150
158g	Spring piston	6	0026-5724-130
158h	Upper gasket 131/182 mm dia. x 0,3	1	0004-2540-770
158k	Gasket M 12 Polyamid	3	0004-5923-800
158m	Hexagon screw M 12x90 DIN 931	3	0019-6544-550
158n	Sealing ring	1	0004-5563-750
158p	Grooved ring 75x95x10	1	0004-5749-840
158r	Neck bearing protection cap	1	0008-5502-040
-	Bottom bearing assembly (159a-h)	1	0010-4200-010
159a	Bottom bearing threaded piece	1	0010-4202-000
159b	Helical spring	1	0006-4272-160
159c	Bottom bearing pressure piece	1	0010-4201-200
-	Set of bottom bearing running parts (159d-g)	1	0010-4210-000
159d	** Bottom bearing pressure disc	1	-
159f	** Ball cage	1	-
159g	** Bottom bearing running disc	1	-
159h	Expanding ring	1	0026-1482-170

** See page 33

*** For 1450 rpm of motor only, and bowl of 6500 rpm.
 For reduced bowl speed be sure to refer to Sect. 3.4.

HORIZONTAL GEAR PARTS SAMN 5036 (FOR MOTORS n = 1450 rpm)

(For gear parts for motors n = 1770 rpm: see page 46)

List of Parts shown in Fig. 20

Item No.	Part Description	Number of Pieces	Part-No.
-	Flange assembly (201a-g) (according to motor size)	1	3036-1021-L
201a	Stud	4	according to rotor size
201b	Hexagon nut M 12 DIN 934-50 verchr.	4	0013-0280-550
201c	Lock washer	4	0026-1328-170
201d	Flange (according to motor size)	1	3036-1023-L
201f	Lock washer	4	0026-1328-170
201g	Triangular head screw or Allen head screw	4	according to motor size
202	Key (drive side)	2	0026-1765-160
-	Centrifugal clutch assembly (203a-m)	1	3037-3385-000
203a	Clutch pulley	1	3037-3365-000
203b	Hexagon screw M 10x75 DIN 931-86 kad.	4	0019-6519-150
203c	Ring	1	3037-3366-000
203d	+) Clutch shoe		3313-3397-000
203f	Hexagon screw with pin AM 10x25 DIN 561-40 kad.	1	0019-5195-030
203g	** Clutch cover	1	3037-3479-010
203h	++) Clutch driver	1	3037-3468-L
203k	Hexagon screw with pin M 10x20 MSN 19-12/3-40 kad.	1	0019-0167-030
203m	Hexagon screw with pin AM 10x25 DIN 561-40 kad.	1	0019-5195-030
204	Bearing cover	1	3163-3375-010
205	Hexagon screw M 10x25 DIN 933-50 kad.	3	0019-6935-090
206	Lock washer	3	0026-1337-170
207	Gasket 80/130 mm dia. x 0.2	1	0004-2500-770
208	Sealing ring A 40x60 DIN 6503	1	0004-5548-760
209	Grooved ball bearing 6208	1	0011-6208-000

++) When ordering this part, please state diameter of motor shaft end and width of key.

Item No.	Part Description	Number of Pieces	Part-No.
210	Grooved ball bearing 6208	1	0011-6208-000
211	Gasket 80/130 mm dia. x 0,2	1	0004-2500-770
212	Lock washer	3	0026-1337-170
213	Hexagon screw M 10x25 DIN 933-50 kad.	3	0019-6935-090
214	Sealing ring A 35x56 DIN 6503	1	0004-5546-760
215	Bearing cover	1	3163-3375-020
216	Brake disc	1	3163-3371-000
217	Centering disc	1	0026-1656-000
218	Hexagon screw M 8x30 DIN 931-50 kad.	1	0019-6492-090
219	Lock washer	1	0026-1325-170
220	Key	1	0026-1744-160
221	Worm wheel shaft	1	3037-3400-020
222	Nut (for item 221) M 40x1,5 WSN 13-40/1 steel	1	0013-3137-060
-	*** Worm wheel assembly with clamp plates (223a-h)	1	3107-3449-000
-	*** Worm wheel assembly (223a-d)	1	3036-3440-040
223a	Hexagon screw M 10x45 DIN 931-50 kad.	4	0019-6513-090
223b	Wheel body	1	3036-3445-000
223c	*** Toothed rim	1	3036-3443-049
223d	Pressure ring	1	3036-3442-000
223f	Hexagon screw M 10x100 DIN 931-50 kad.	4	0019-6524-090
223g	Clamp plate (withouth thread)	1	3037-3446-010
223h	Clamp plate (with tothing)	1	3117-3447-000
224	Cover	1	3037-1085-020
225	Safety cap	1	3037-1381-000
226	Triangular head screw AM 10x15 DIN 22424-50 verchr.	1	0019-8594-100
227	Lock washer	1	0026-1337-170

+) The number of clutch shoes (2, 3, 4 or 6) depends on the driving force necessary for the separator (see Sect. 12) and on the motor speed.

** See page 33.

*** For 1450 rpm of motor only and bowl speed of 6500 rpm. For reduced bowl speed be sure to refer to Sect. 3.4.

VERTICAL AND HORIZONTAL GEAR PARTS SAMN 5036 (gas-tight)

=====

(for motors n = 1770 rpm)

All gear parts are identical with those of the gear for motors n = 1450 rpm, except for the parts as listed below.

(For gear parts for motors n = 1450 rpm: see page 42-45, 47)

List of Parts shown in Figs. 19 and 20

Item No.	Fig.	Part Description	Number of Pieces	Part-No.
-		*** Gear assembly	1	3163-3300-060
-	19	*** Worm spindle assembly	1	3163-3429-040
157c	19	*** Worm spindle	1	3163-3420-000
-	20	*** Worm wheel assembly with clamp plates	1	3163-3449-000
-	20	*** Worm wheel assembly	1	3163-3440-000
223c	20	*** Toothed rim	1	3163-3443-009

*** For 1770 rpm of motor only, and bowl speed of 6500 rpm.

For reduced bowl speed be sure to refer to Sect. 3.4.

REVOLUTION INDICATOR SAMN 5036

=====

(for motors n = 1450 rpm and n = 1770 rpm)

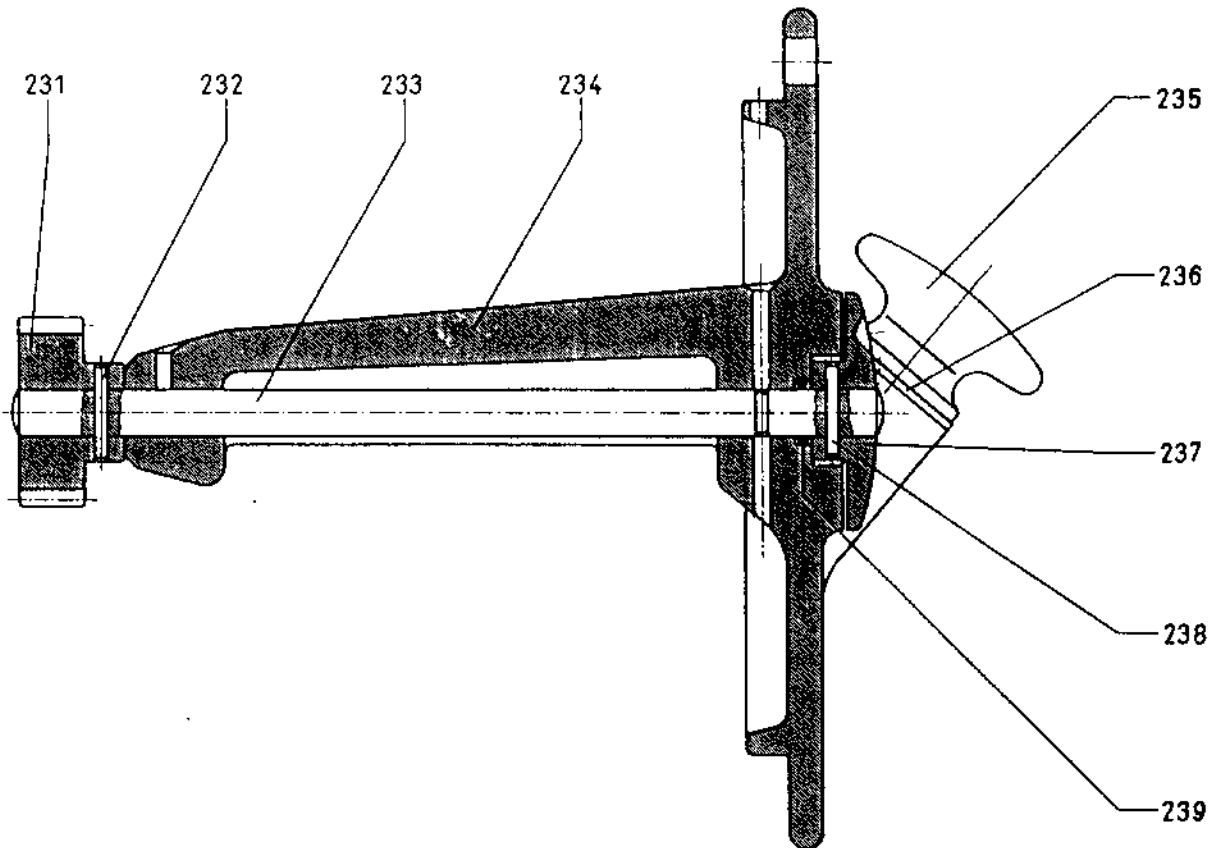
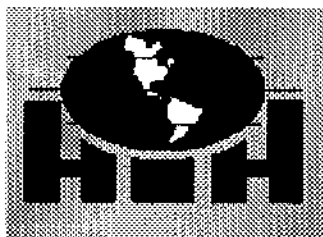


Fig. 21

Item No.	Part Description	Number of Pieces	Part-No.
-	Revolution indicator assembly (231-239)	1	3117-3495-000
231	Worm wheel	1	3117-3487-000
232	Cylindrical pin 3h8x24 DIN 7 - steel	1	0026-1049-030
233	Shaft	1	3117-3488-000
234	Housing	1	3117-3493-000
235	Oil fill plug	1	0019-1741-640
236	Gasket 27/38 mm dia. x 2	1	0004-5036-740
237	Revolution indicator disc	1	3117-3497-000
238	Cylindrical pin 3h8x24 DIN 7 - steel	1	0026-1049-030
239	Gasket 12/3 mm dia.	1	0007-2502-750



Hutchison-Hayes Separators, Inc.

This is a Spacer Page

P.O. Box 2965 ♦ Houston, Texas 77252
3520 East Belt ♦ Houston, Texas 77015
(713) 455-9600 ♦ Fax (713) 455-7753

CLARIFIER BOWL SAMN 5036

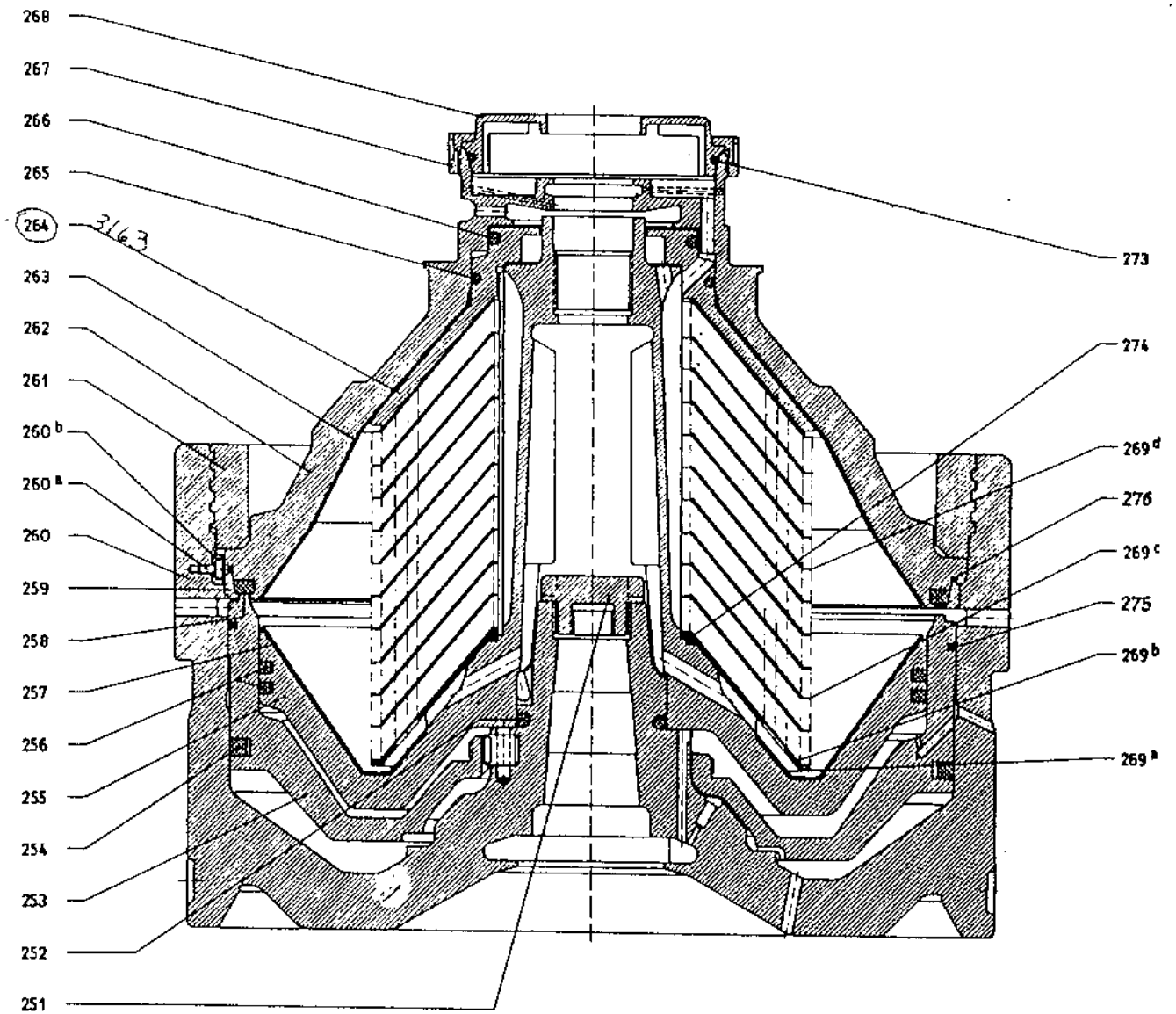


Fig. 22

PURIFIER BOWL SAMN 5036

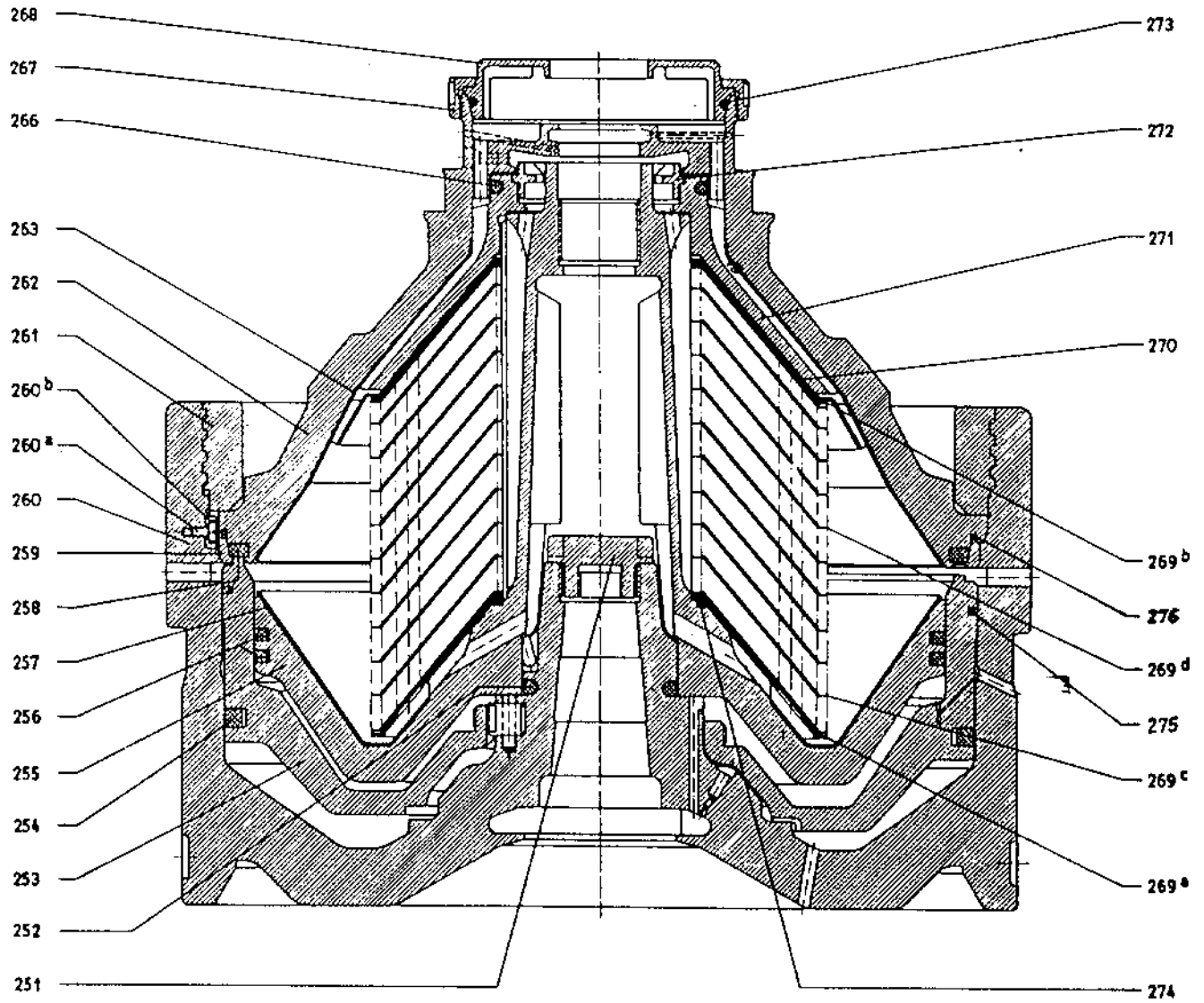


Fig. 22a

BOWL SAMN 5036

=====

List of Parts shown in Figs. 22 and 22a

Item No.	Part Description	Number of Pieces	Part-No.	
			Fig. 22	Fig. 22a
-	Bowl assembly (251-274)	1	3163-6600-L	3163-6600-L
251	Spindle nut	1	0013-2958-400	0013-2958-400
252	Gasket 70/8 mm dia. (for item 260)	1	0007-2590-750	0007-2590-750
253	Sliding piston	1	3107-6501-L	3107-6501-L
254	Gasket 385/405 mm dia. x10 (for item 253)	1	0007-2438-750	0007-2438-750
255	* Distributor	1	3163-6620-L	3163-6620-L
256	Gasket 366/380 mm dia. x 7 (for item 255)	2	0007-2415-750	0007-2415-750
257	Wear liner for distributor	1	3107-6492-010	3107-6492-010
258	Gasket 385/407 mm dia. x 8 (for item 262)	1	0007-2902-760	0007-2902-760
259	Supporting ring	1	3163-6508-L	3163-6508-L
260	* Lower bowl part	1	3163-6604-L	3163-6604-L
260a	Cylindrical screw A8 5x12 DIN 84 18 Cr 10 Nit 2 Mo	1	0019-2233-400	0019-2233-400
260b	Locating piece (for 262)	1	3163-6609-000	3163-6609-000
261	* Bowl locking ring	1	3107-6631-020	3107-6631-020
262	* Upper bowl part	1	3163-6610-L	3163-6610-L
263	Wear liner (for upper bowl part)	1	3163-6491-010	3163-6491-010
264	* Separation disc (without channels)	1	3163-6652-L	-
265	Gasket 124/6 mm dia. (for item 264)			
266	Gasket 104/7 mm dia. (for item 264 or 271)	1	0007-2076-750	0007-2076-750
267	Locking ring	1	3034-6631-030	3034-6631-030
268	Centripetal pump chamber cover	1	3154-6642-000	3154-6642-000
-	* Disc set assembly (269a-d)	1	3163-6660-L	3163-6660-L
269a	Bottom disc	10	3107-6662-L	3107-6662-L
269b	Blind disc		0823-6666-L	0823-6666-L
269c	Disc (with thicker spacers)		3117-6663-L	3117-6663-L
269d	+) Disc		2245-6663-L	2245-6663-L
270	* Separation disc (with ribs)	1	-	3163-6650-L
271	* Separation disc (with channels)			3163-6652-L
272	Set of adjusting rings	1	-	3163-6730-000
273	Gasket 119/5,2 mm dia. (for item 268)	1	0007-2062-750	0007-2062-750
274	Gasket 108/5,3 mm dia.	1	0007-2013-750	0007-2013-750
275	Gasket 407/415 mm dia. x4 (for Sliding piston)	1	0007-2695-750	0007-2695-750
276	Gasket (for Upper bowl part)	1	0007-2633-750	0007-2633-750

* See page 33.

+) The number of discs depends on the intended use of the bowl and on the thickness of the spacers.

TOOLS AND ACCESSORIES FOR SAMN 5036

=====

When unpacking, check with the packing list furnished with the separator.

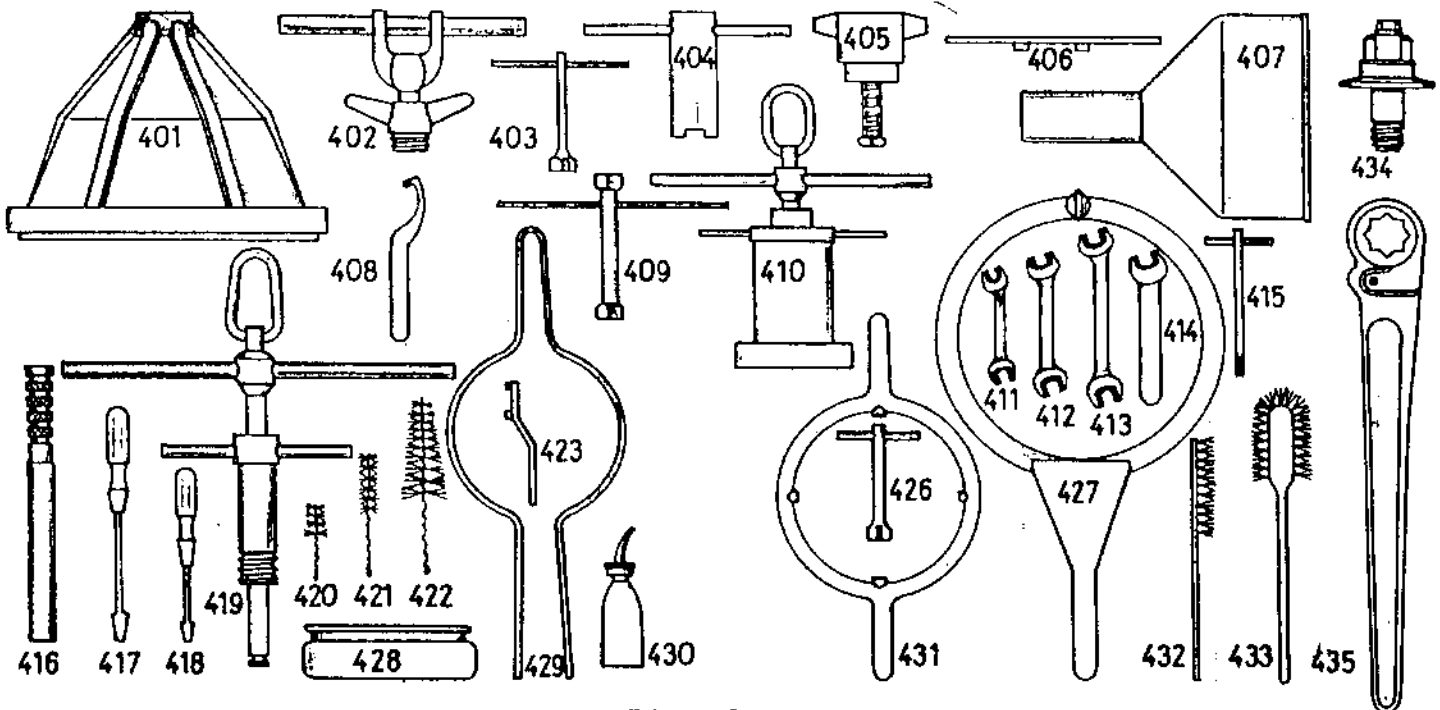


Fig. 23

Item No.	Part Description	Number of Pieces	Part-No.
-	Set of tools	1	3163-9900-000
-	Set of accessories	1	3163-9901-000
401	Guide piece	1	3163-9967-000
402	Bowl lifting device	1	3037-9930-010
403	Socket wrench 14 (for clutch)	1	0003-4227-030
404	Socket wrench (for spindle nut)	1	0003 4150-030
405	Clutch puller	1	3313-9910-000
406	Wrench for adjusting ring (for separator bowl only)	1	3163-9945-000
407	Neck bearing protection hood	1	0003-0296-000
408	Hook wrench	1	0003-3845-000
409	Socket wrench 17x19	1	0003-4253-150
410	Piston lifting device	1	3107-9960-000
411	Double wrench 10x14	1	0003-4202-110
412	Double wrench 17x19	1	0003-4205-110
413	Double wrench 22x27	1	0003-4208-110
414	Single wrench 24	1	0003-4219-110
415	Socket wrench for centripetal pump	1	0003-0126-000
416	Mallet	1	0003-0200-000
417	Screw driver 10 mm wide	1	0003-4637-050
418	Screw driver 5,5 mm wide	1	0003-4636-050
419	Distributor lifting device	1	3163-9970-000
420	Tube brush 10 mm dia.	4	0003-4540-960
421	Tube brush 15 mm dia.	4	0003-4544-960
422	Tube brush 45 mm dia.	1	0003-4552-960
423	Wrench for sight glass	1	0003-4585-030