

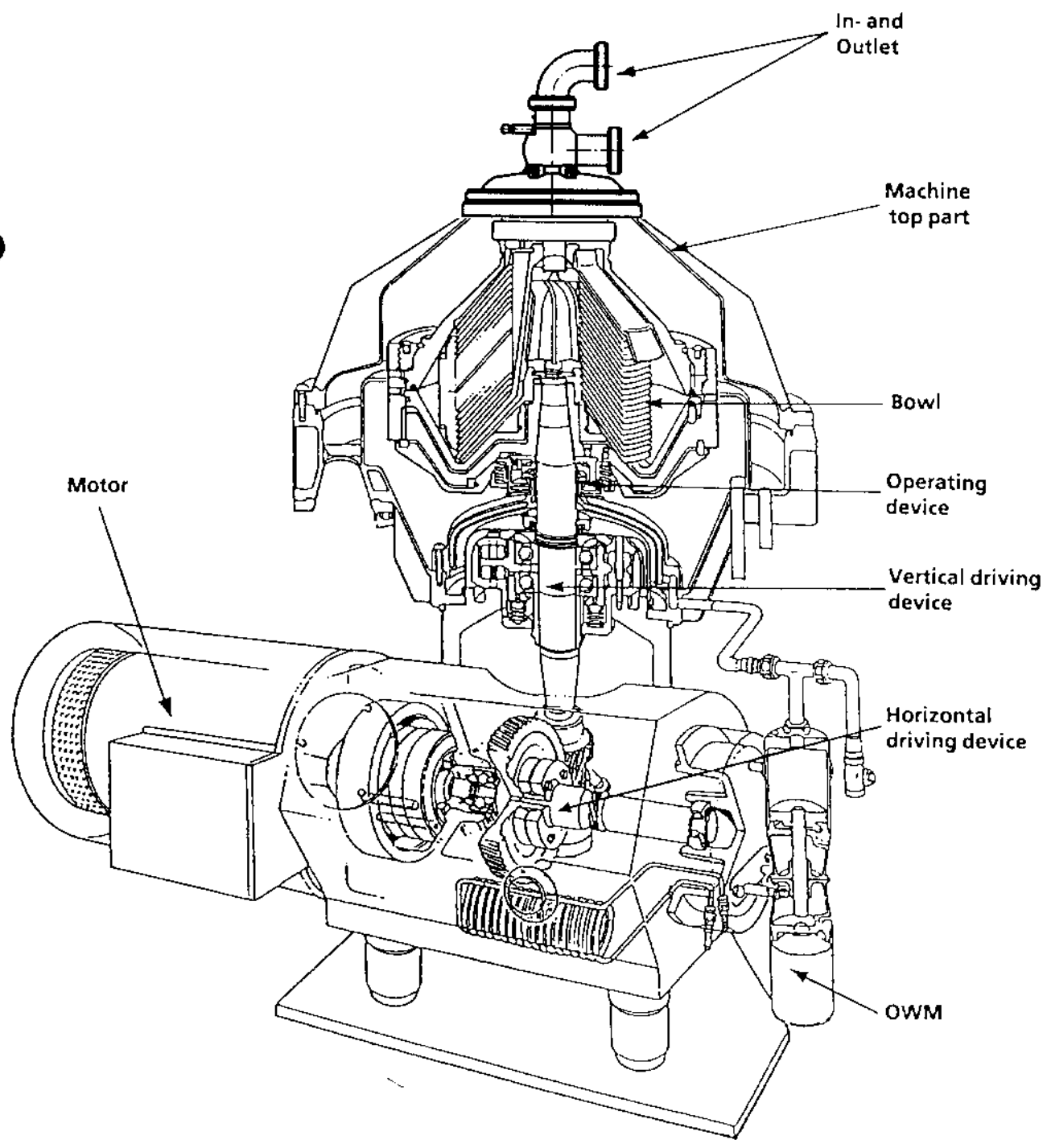
Hutchison-Hayes Separators, Inc.

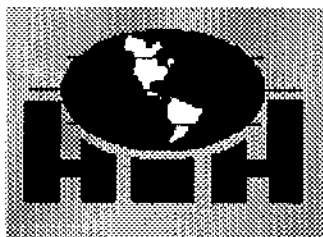
Model Q MRKX 517SGV-34C Parts List With Diagrams

P.O. Box 2965 ♦ Houston, Texas 77252
3520 East Belt ♦ Houston, Texas 77015
(713) 455-9600 ♦ Fax (713) 455-7753

DISMANTLING / ASSEMBLY

NOTE! If **INLET** or **WORM WHEEL** is going to be dismantled it's recommended to do this while the bowl still remains in the machine.

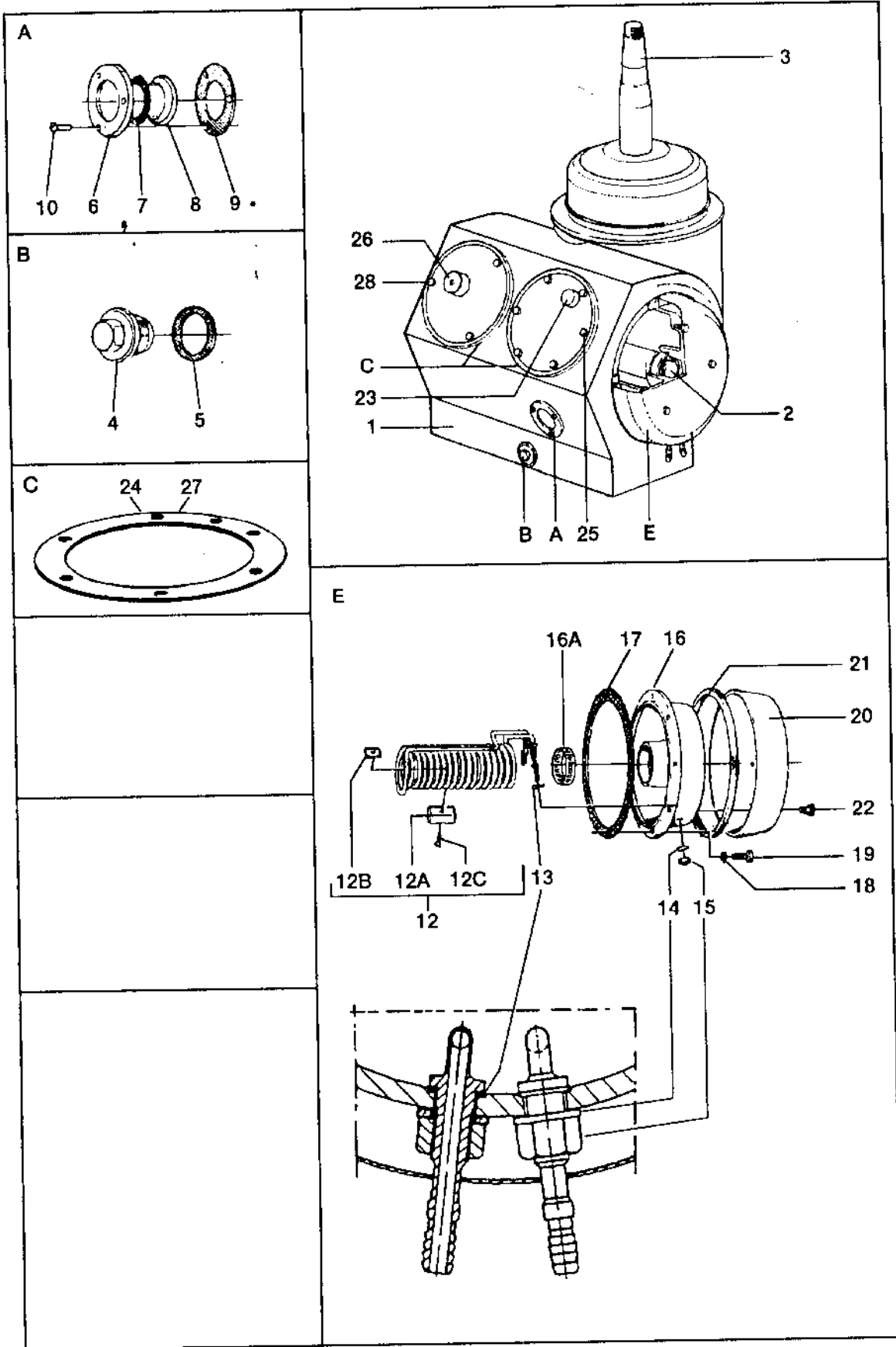




Hutchison-Hayes Separators, Inc.

This is a Spacer Page

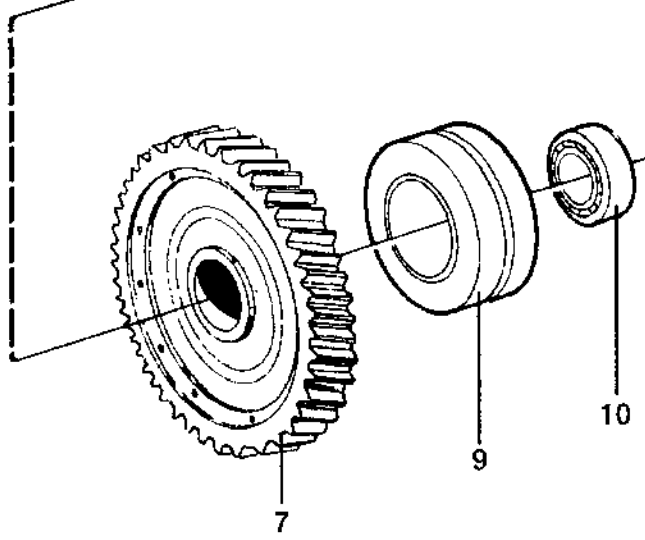
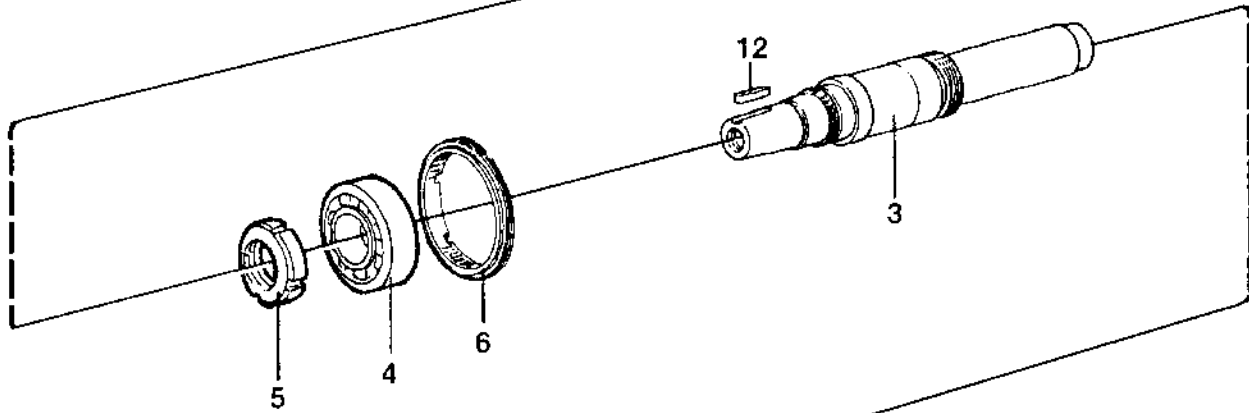
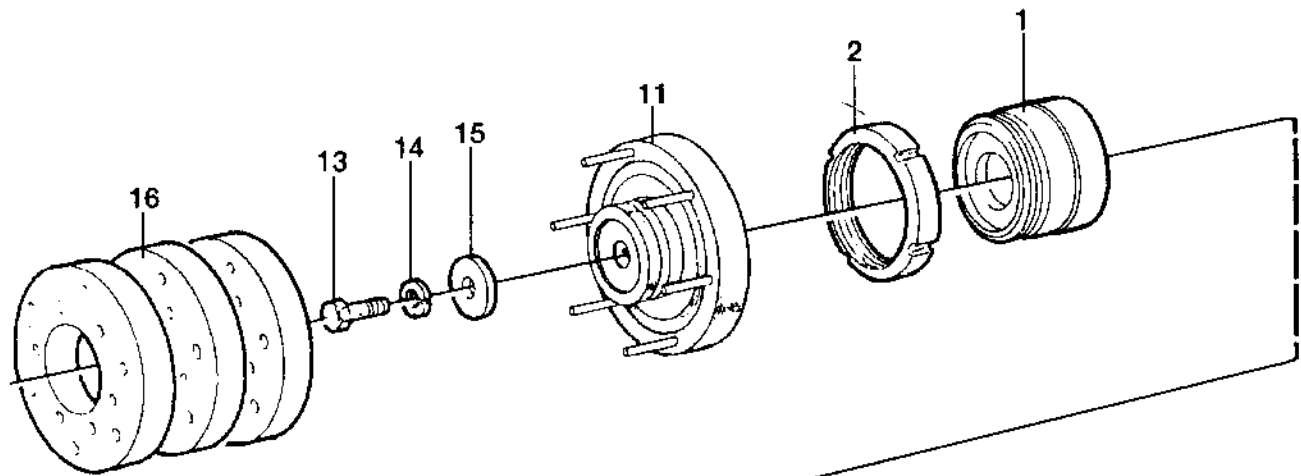
P.O. Box 2965 ♦ Houston, Texas 77252
3520 East Belt ♦ Houston, Texas 77015
(713) 455-9600 ♦ Fax (713) 455-7753



Q MRKX 5175GV-34C	Machine bottom part
	Subassembly description

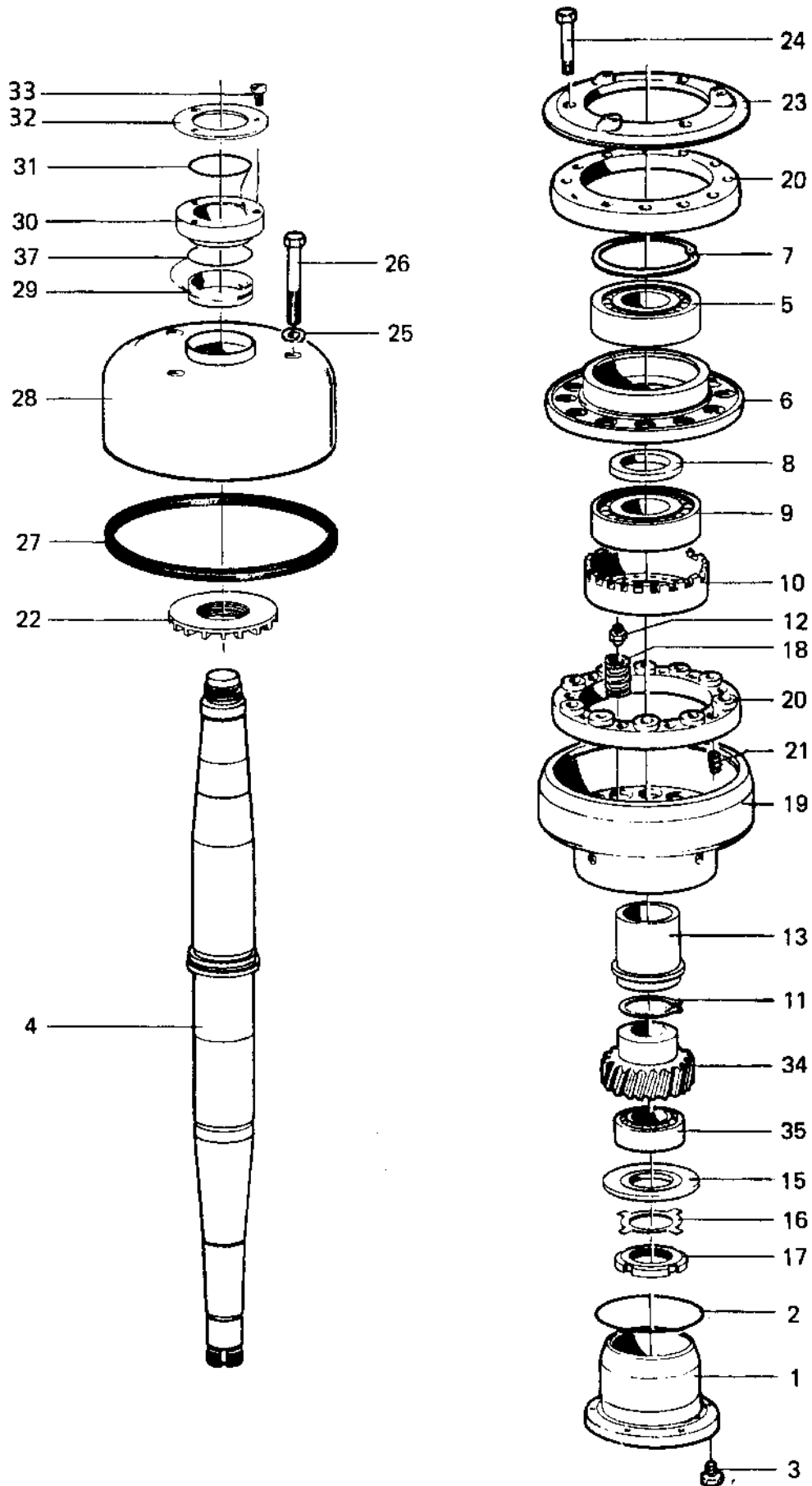
010-1
Fig. ref C-01224-U-1
Date 9604

Ref.	Part No	Description	Machine unit No or Subassembly description / Qty 555484 -							Notes
			- 13	- 14						
		For 50 Hz.....	↓							
		For 60 Hz.....		↓						
1	541901 80	Frame bottom part.....	1	1						
2	546423 86	Driving device horizontal.....	1	—	—	—	—	—	—	See page 010-1.1
2	546423 87	Driving device horizontal.....	—	1	—	—	—	—	—	See page 010-1.1
3	542373 93	Driving device vertical.....	1	—	—	—	—	—	—	See page 010-1.2
3	542373 94	Driving device vertical.....	—	1	—	—	—	—	—	See page 010-1.2
4	526189 01	Drain screw.....	1	1						
5	223316 05	Rectangular ring.....	1	1						
6	523215 02	Fixing plate.....	1	1						
7	37167	Rectangular ring.....	1	1						
8	38685	Glass disc.....	1	1						
9	528723 01	Gasket.....	1	1						
10	221131 08	Screw.....	3	3						
12	534126 85	Cooling coil.....	1	1						
12A	534127 01	Magnet.....	1	1						
12B	534128 01	Washer.....	1	1						
12C	260250 05	Screw.....	1	1						
13	73665	Rectangular ring.....	2	2						
14	223101 37	Washer.....	2	2						
15	526343 03	Nut.....	2	2						
16	543494 80	Bearing shield.....	1	1						
16A	545063 03	Tolerance ring.....	1	1						
17	43626	Gasket.....	1	1						
18	223101 61	Washer.....	8	8						
19	221041 01	Screw.....	8	8						
20	528709 01	Guard.....	1	1						
21	43630	Seal strip.....	1	1						
22	221041 20	Screw.....	2	2						
23	528753 85	Worm wheel guard.....	1	1	—	—	—	—	—	See page 010-1.3
24	528732 03	Packing.....	1	1						
25	221041 20	Screw.....	6	6						
26	535336 81	Remote control brake.....	1	1	—	—	—	—	—	See page 010-1.4
27	528732 03	Packing.....	1	1						
28	221041 20	Screw.....	3	3						



Q MRKX 517SGV-34C	Machine bottom part	010-1.1
	Subassembly description	Fig. ref C-00085-0-5
	Driving device horizontal	Date 9604

Ref.	Part No	Description	Machine unit No or Subassembly description / Qty							Notes
			546423 -							
			- 86	- 87						
		For 50 Hz	↓							
		For 60 Hz		↓						
1	544786 01	Bearing housing	1	1						
2	541985 01	Round nut	1	1						
3	546424 80	Worm wheel shaft	1	1						
4	233211 94	Ball bearing	1	1						
5	67478	Round nut	1	1						
6	544789 01	Lock ring	1	1						
7	544950 11	Worm wheel	1							
7	544950 12	Worm wheel		1						
9	541988 01	Clamp element	1	1						
10	8379	Ball bearing	1	1						
11	544783 80	Coupling disc	1	1						
12	223610 32	Flat key	1	1						
13	260001 39	Screw	1	1						
14	223107 28	Spring washer	1	1						
15	541991 01	Washer	1	1						
16	60571	Elastic plate	3	3						



Q MRKX 5179GV-34C

Machine bottom part

010-1.2

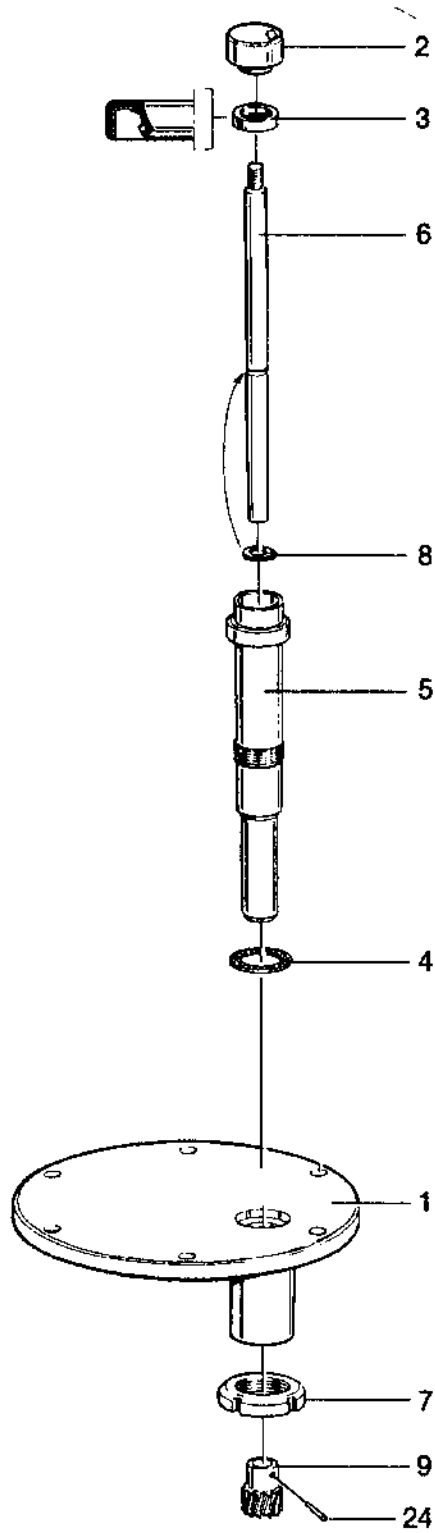
Subassembly description

Fig. ref
C-00331-0-1

Driving device vertical

Date
9604

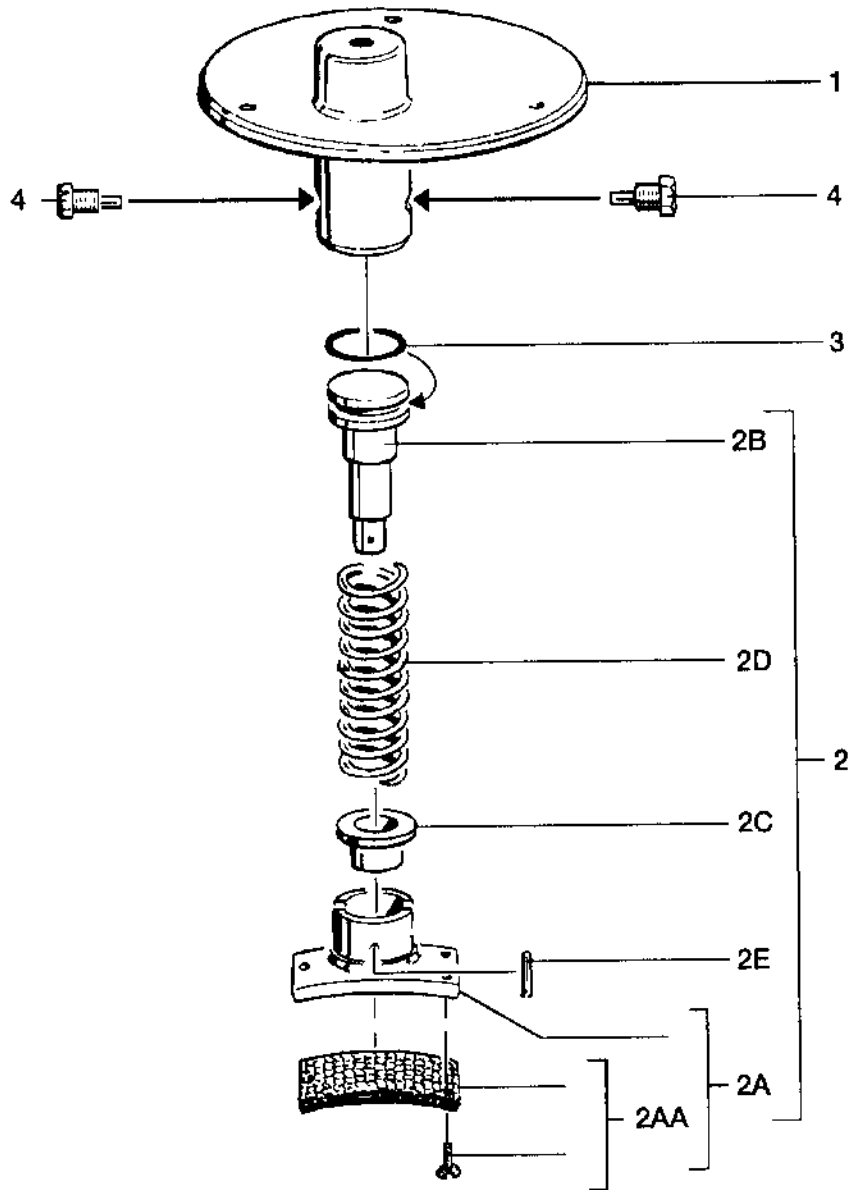
Ref.	Part No	Description	Machine unit No or Subassembly description / Qty 542373 -							Notes
			- 93	- 94						
		For 50 Hz.....	↓							
		For 60 Hz.....		↓						
1	519330 02	Bottom bearing housing.....	1	1						
2	38411	O-ring.....	1	1						
3	221721 12	Screw.....	6	6						
4	544904 02	Bowl spindle.....	1	1						
5	548747 07	Ball bearing.....	1	1						
6	542451 02	Ball bearing housing.....	1	1						
7	223642 49	Snap ring.....	1	1						
8	533415 01	Spacing sleeve.....	1	1						
9	548745 04	Ball bearing.....	1	1						
10	542450 02	Bearing housing.....	1	1						
11	223641 01	Snap ring.....	1	1						
12	538129 01	Guide pin.....	12	12						
13	543318 01	Sleeve.....	1	1						
15	73988	Washer.....	1	1						
16	66076	Lock washer.....	1	1						
17	67476	Round nut.....	1	1						
18	260083 46	Compression spring.....	12	12						
19	542452 02	Top bearing support.....	1	1						
20	529639 02	Rubber buffer.....	2	2						
21	70714	Spring.....	12	12						
22	542026 02	Oil fan.....	1	1						
23	542027 02	Top bearing cover.....	1	1						
24	221045 35	Screw.....	3	3						
25	541453 05	Usit-ring.....	3	3						
26	221046 16	Screw.....	3	3						
27	555231 01	Seal ring.....	1	1						
28	543179 01	Guard.....	1	1						
29	544271 01	Seal ring.....	1	1						
30	544272 01	Protecting collar.....	1	1						
31	223412 18	O-ring.....	1	1						
32	543188 01	Protecting plate.....	1	1						
33	221131 07	Screw.....	3	3						
34	541661 06	Worm.....	1							
34	541661 07	Worm.....		1						
35	548746 04	Ball bearing.....	1	1						
37	223406 36	O-ring.....	1	1						



Q MRKX 5179GV-34C	Machine bottom part
	Subassembly description
	Worm wheel guard

010-1.3
Fig. ref C-00737-0-3
Date 9604

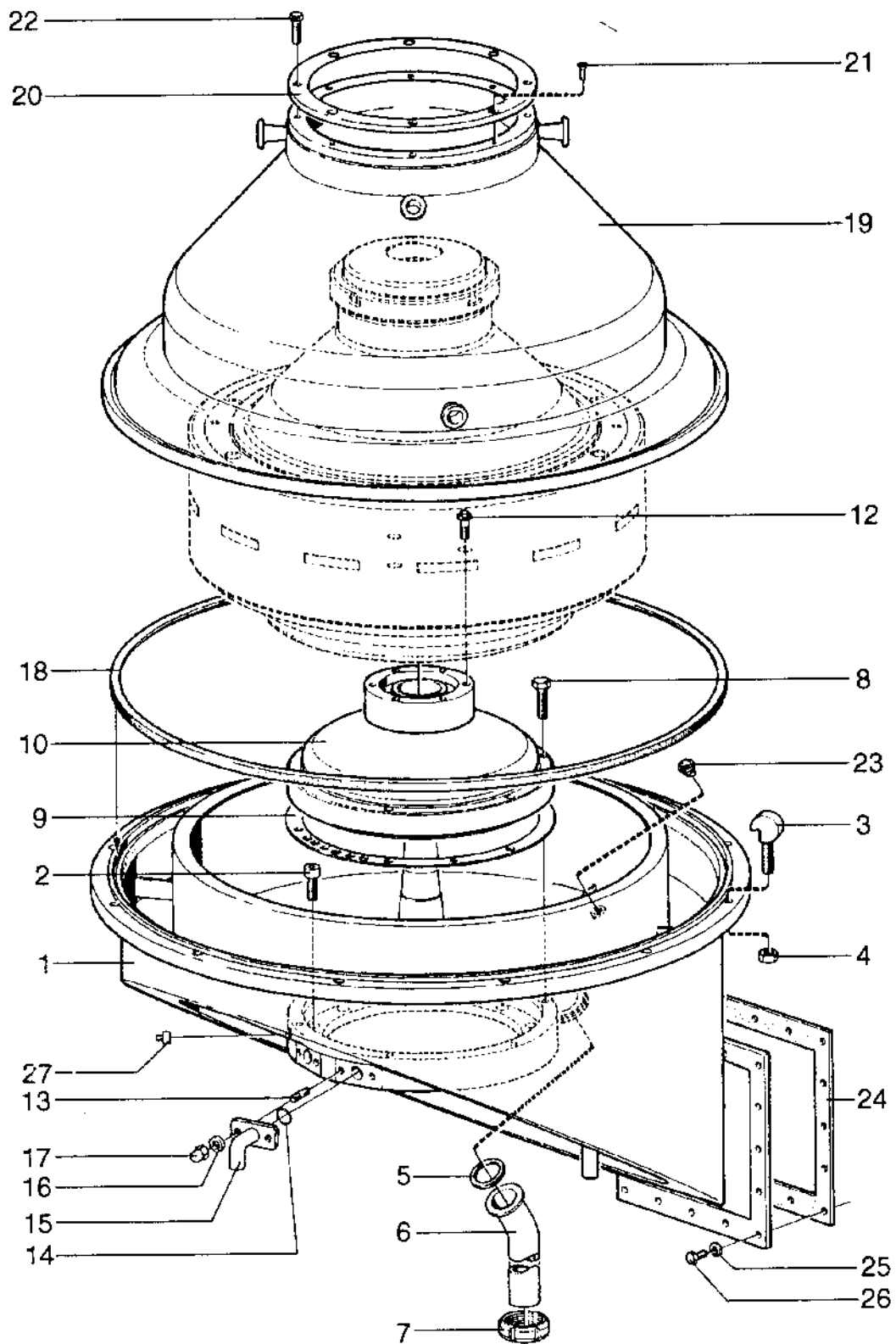
Ref.	Part No	Description	Machine unit No or Subassembly description / Qty 528753 -							Notes
			- 85							
1	544165 02	Worm wheel guard.....	1							
2	526694 03	Protecting collar.....	1							
3	223521 08	Seal ring.....	1							
4	223434 02	Rectangular ring.....	1							
5	528743 01	Bushing.....	1							
6	526693 04	Shaft.....	1							
7	67473	Round nut.....	1							
8	67542	Snap ring.....	1							
9	69214	Gear wheel.....	1							
24	69226	Taper pin.....	1							



Q MRKX 517SGV-34C	Machine bottom part
	Subassembly description
	Remote control brake

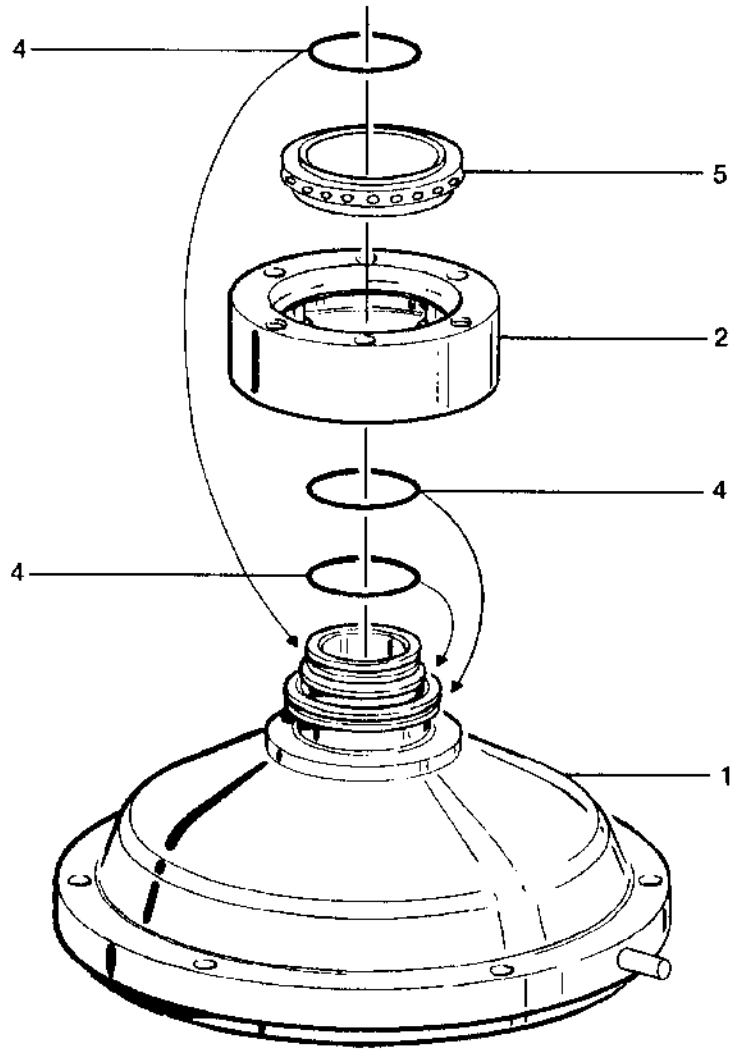
010-1.4
Fig. ref C-00738-0-2
Date 9604

Ref.	Part No	Description	Machine unit No or Subassembly description / Qty 535336 -							Notes
			- 81							
1	544788 80	Protecting cover.....	1							
2	535201 83	Brake shoe	1							
2A	537602 86	Brake shoe.....	1							
2AA	310637 84	Friction pad	1							
2B	535202 01	Piston rod.....	1							
2C	535206 01	Gland	1							
2D	226214 83	Spring	1							
2E	67960	Slotted pin.....	1							
3	223406 27	O-ring.....	1							
4	535207 01	Stop screw.....	2							



Q MRKX 5175GV-34C	Machine top part	020-1
	Subassembly description	Fig. ref C-00582-D-1
		Date 9604

Ref.	Part No	Description	Machine unit No. or Subassembly description / Qty							Notes	
			545882 -								
			- 01								
1	545945 80	Frame top part.....	1								
2	221731 08	Screw.....	12								
3	537299 80	Hook screw.....	12								
4	221803 40	Nut.....	12								
5	71068	Rectangular ring.....	1								
6	191580	Hose liner.....	1								
7	190616	Coupling nut.....	1								
8	221046 04	Screw.....	6								
9	539244 02	Height adjusting ring.....	5								
10	528249 85	Pairing disc device.....	1	-	-	-	-	-	-	-	See page 020-1.1
12	545633 01	Screw.....	3								
13	2 216135 09	Stud bolt.....	4								
14	74067	O-ring.....	2								
15	528359 80	Connecting elbow.....	2								
16	223101 35	Washer.....	4								
17	221851 15	Cap nut.....	4								
18	545318 01	Seal strip.....	1								
19	545942 80	Frame hood.....	1								
20	536423 01	Height adjusting ring.....	2	-	-	-	-	-	-	-	H = 7.0 mm
20	536423 02	Height adjusting ring.....	2	-	-	-	-	-	-	-	H = 8.5 mm
20	536423 03	Height adjusting ring.....	2	-	-	-	-	-	-	-	H = 10.0 mm
20	536423 04	Height adjusting ring.....	2	-	-	-	-	-	-	-	H = 11.5 mm
20	536423 05	Height adjusting ring.....	2	-	-	-	-	-	-	-	H = 13.0 mm
21	260254 04	Screw.....	4								
22	221046 06	Screw.....	4								
23	542931 01	Nozzle.....	4								
24	539687 01	Gasket.....	1								
25	223101 61	Washer.....	16								
26	221041 01	Screw.....	16								
27	547385 01	Screw.....	1								



Q MRKX 517SGV-34C

Machine top part

020-1.1

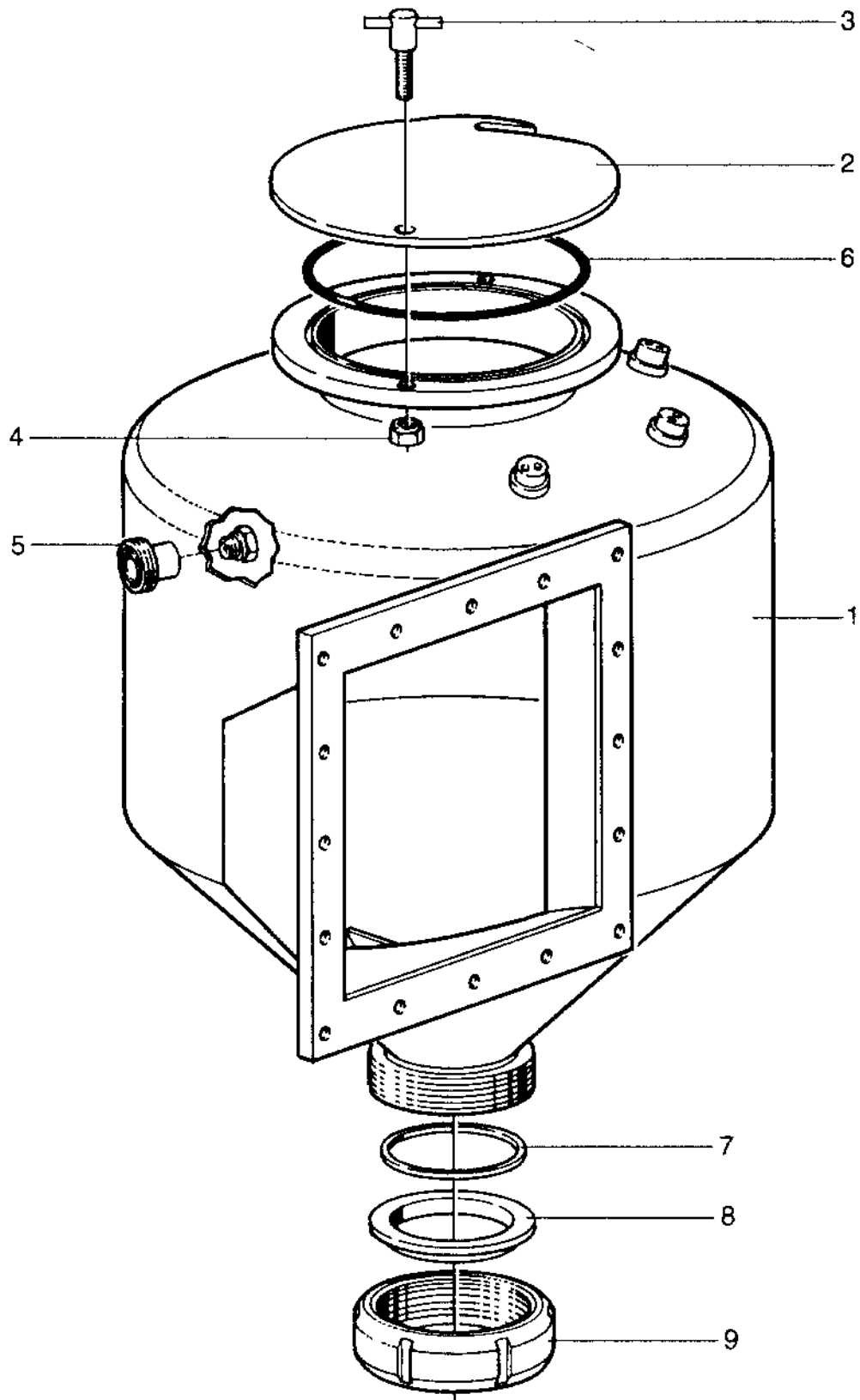
Subassembly description

Fig. ref
C-00735-0-2

Paring disc device

Date
9604

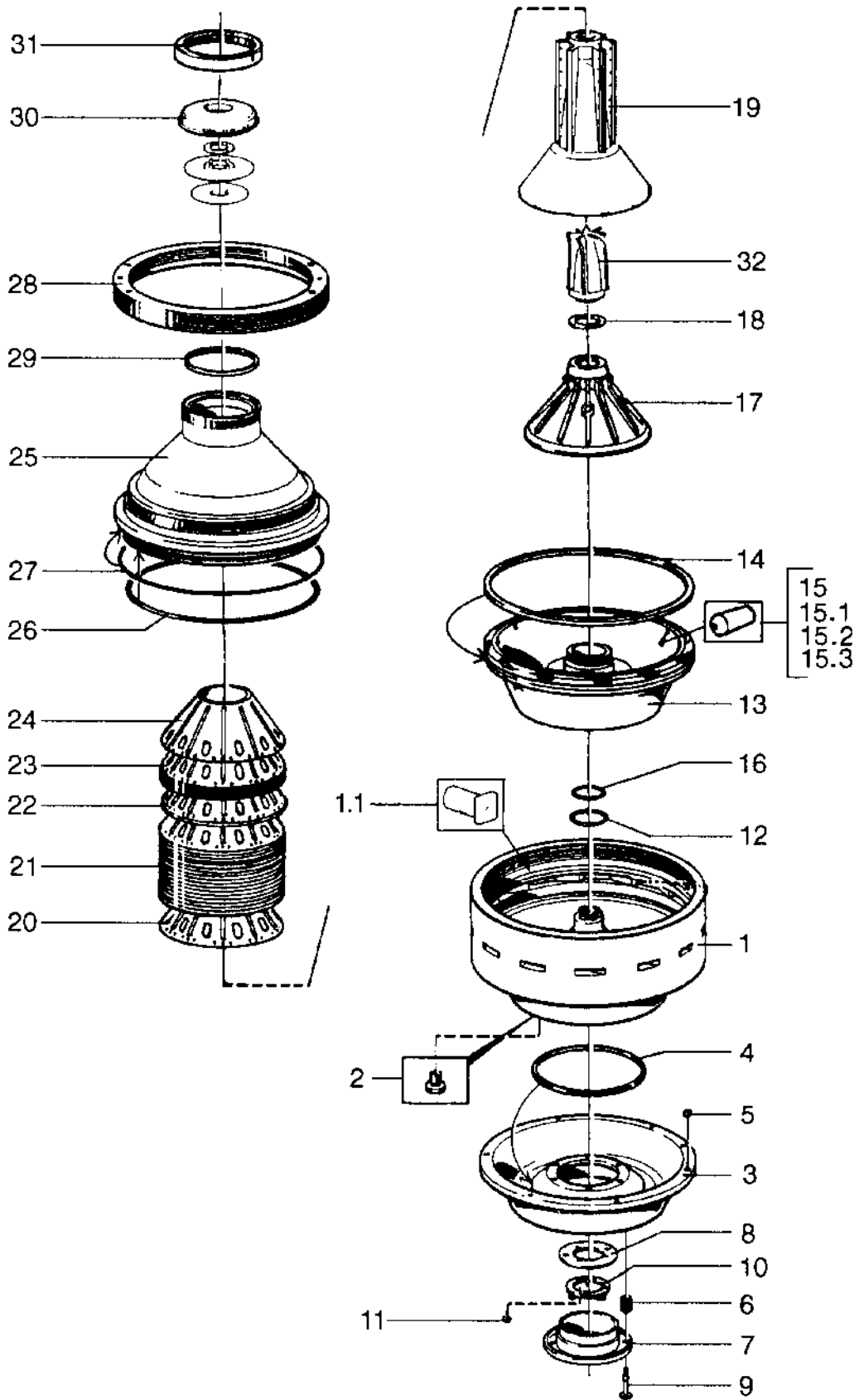
Ref.	Part No	Description	Machine unit No or Subassembly description / Qty							Notes
			- 85							
1	539242 81	Distributing cover.....	1							
2	528094 83	Distributing ring.....	1							
4	74634	O-ring.....	3							
5	544326 01	Control paring disc.....	1							



Q MRKX 517SGV-34C	Cyclone
	Subassembly description

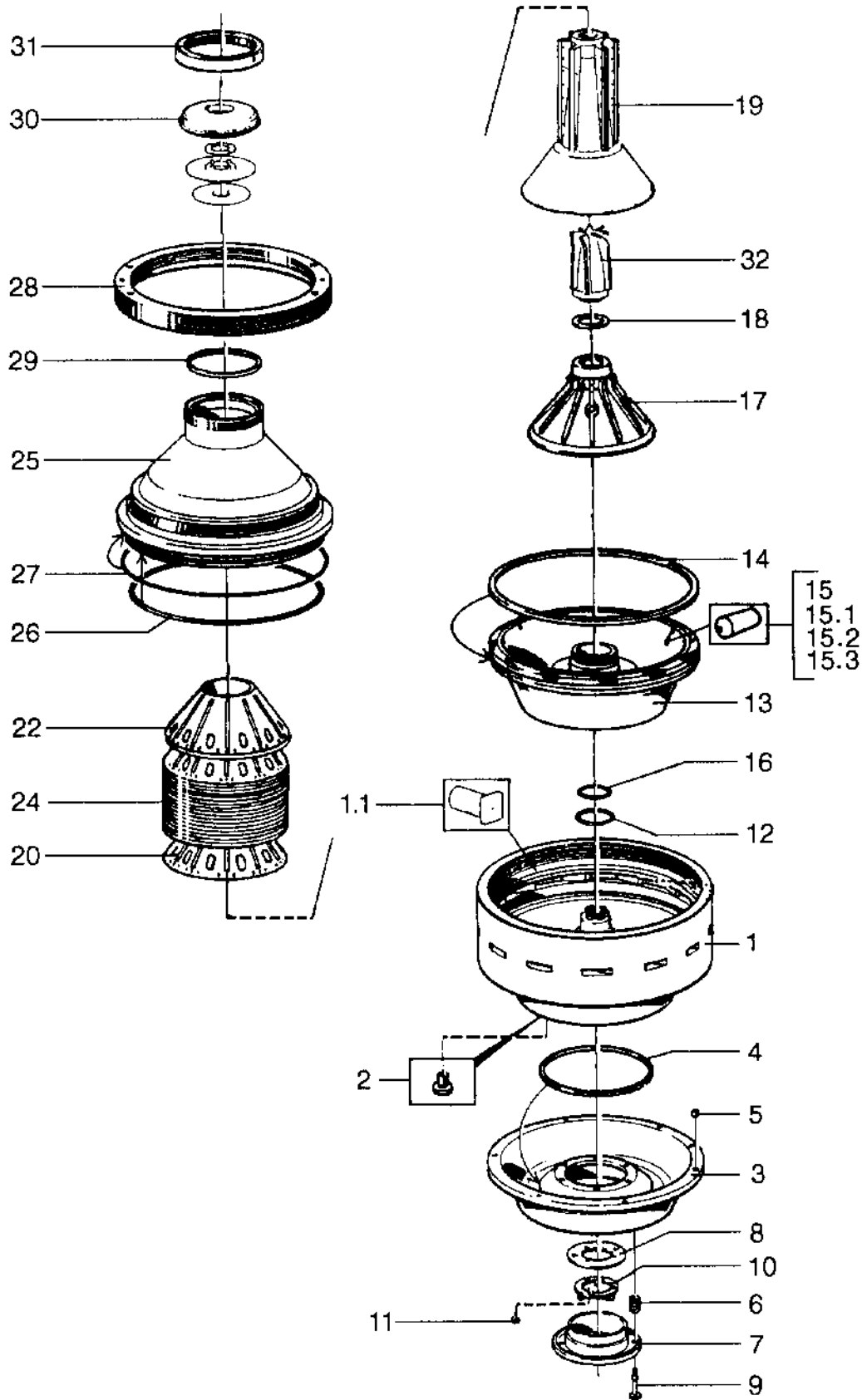
030-1
Fig. ref C-00550-A-1
Date 9604

Ref.	Part No	Description	Machine unit No or Subassembly description / Qty 542962 -								Notes
			- 80								
1	542963 80	Cyclone.....	1								
2	542965 01	Cover.....	1								
3	542967 80	Handscrew.....	2								
4	221891 16	Lock nut.....	2								
5	542931 01	Nozzle.....	1								
6	223412 42	O-ring.....	1								
7	31317 0886 1	Rectangular ring	1								
8	31317 0885 2	Sleeve.....	1								
9	31317 0884 1	Coupling nut	1								



Ref.	Part No	Description	Machine unit No or Subassembly description / Qty								Notes
			544905 -								
			- 02								
1	543769 83	Bowl body	1	-	-	-	-	-	-	-	■
1.1	537623 01	Guide lug	1								
2	538124 02	Nozzle 3 mm	3								
3	543404 02	Operating slide	1	-	-	-	-	-	-	-	■
4	543422 03	Rectangular ring	1								
5	537636 07	Valve plug	6								
6	226214 74	Spring	24								
7	541690 81	Spring support	1	-	-	-	-	-	-	-	■
8	543343 01	Gasket	1								
9	528166 02	Screw	6								
10	529608 01	Sleeve with wings	1								
11	221131 03	Screw	3								
12	223412 25	O-ring	1								
13	542952 01	Sliding bowl bottom	1								
14	523116 04	Rectangular ring	1								
15	542953 01	Nozzle 0 mm	12								
15.1	542953 02	Nozzle 0,7 mm	12								
15.2	542953 03	Nozzle 0,8 mm	12								
15.3	542953 04	Nozzle 0,9 mm	12								
16	72354	Rectangular ring	1								
17	542311 80	Distributing cone	1	-	-	-	-	-	-	-	■
18	223330 03	Gasket	1								
19	541931 81	Distributor	1	-	-	-	-	-	-	-	■
20	539194 12	Bottom disc	1								
21	539194 11	Bowl disc	62								
22	539194 11	Bowl disc	2								
23	539194 13	Bowl disc	6								
24	539194 11	Bowl disc	1								
25	538540 83	Bowl hood	1	-	-	-	-	-	-	-	■
26	543170 01	Seal ring	1								
27	260190 06	O-ring	1								
28	543766 02	Lock ring	1	-	-	-	-	-	-	-	■
29	529628 01	Gasket	1								
30	544106 80	Paring chamber top part	1								
31	529600 01	Lock ring	1								
32	538520 02	Cap nut	1								

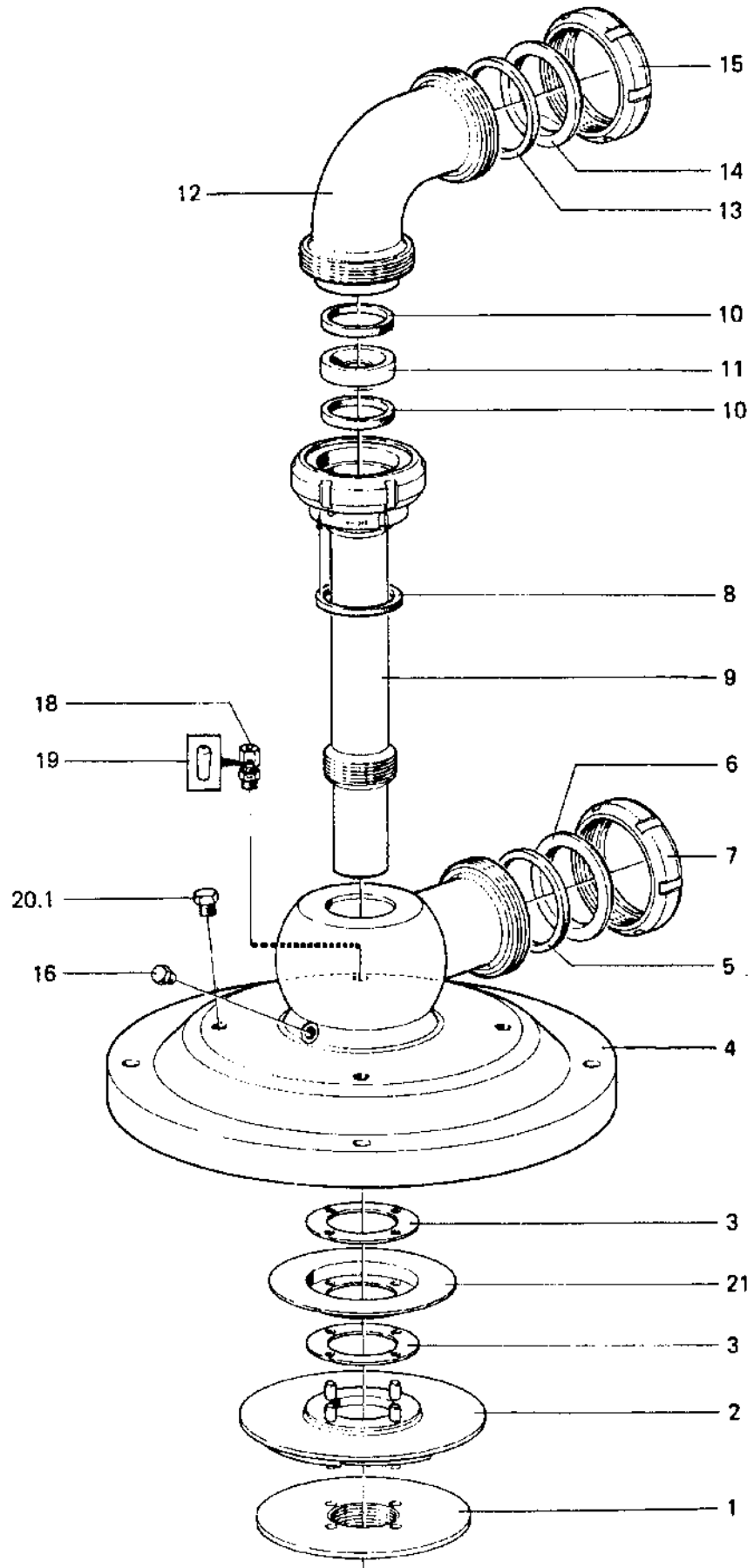
■ Utbyte nödvändig för ombalansering av kulan. Exchange necessitates rebalancing of bowl. Austausch erfordert Wiederauswuchtung der Trommel. L'échange nécessite le rééquilibrage du bol. El cambio hace necesario un nuevo equilibrado del rotor. La sostituzione comporta la riequilibratura del tamburo. A substituição exige o reequilíbrio do rotor. Valhdeittaessa kuula tasapainoitettava uudelleen.



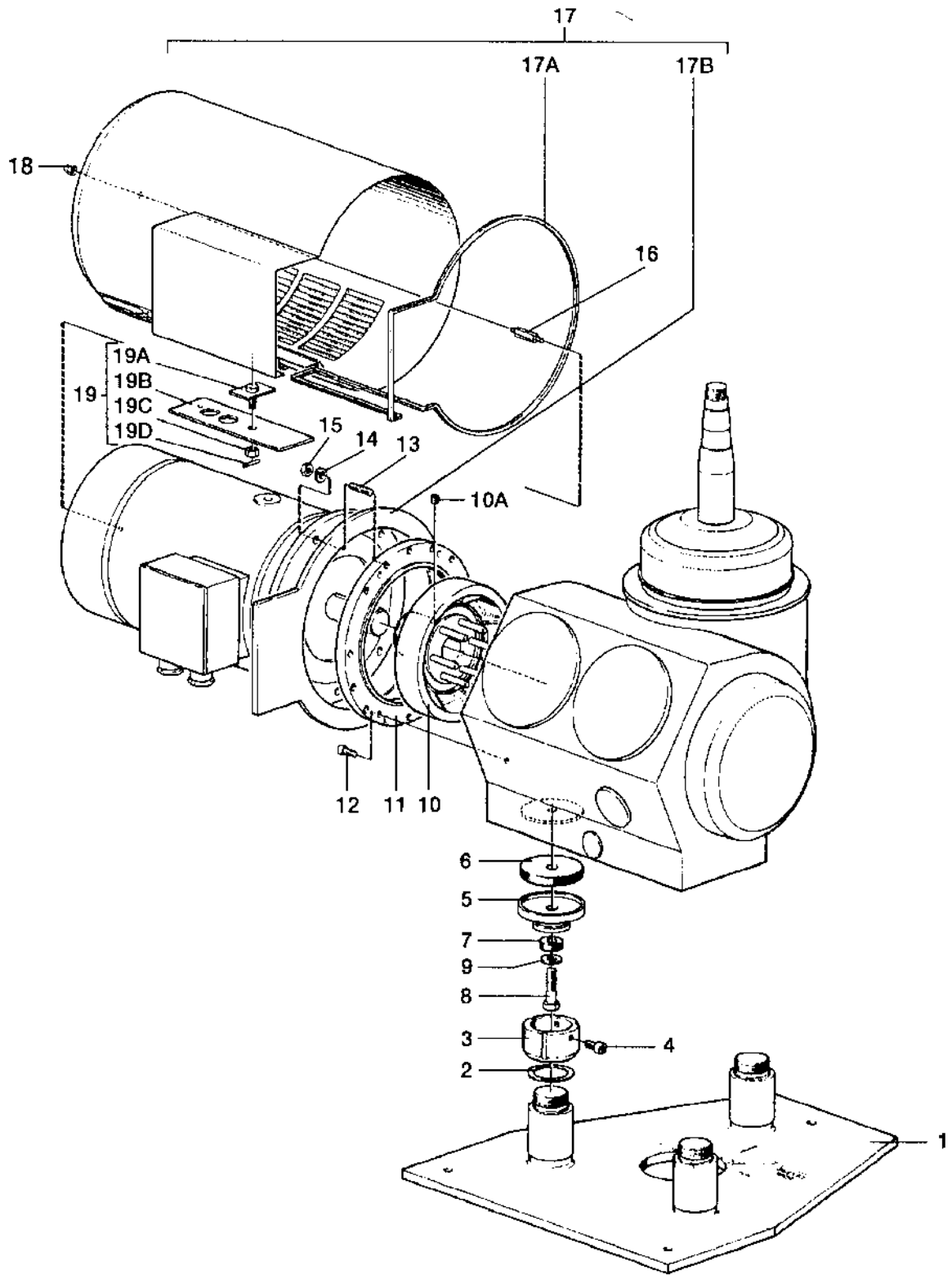
Q MRKX 5179GV-34C	Separator bowl	040-2
	Subassembly description	Fig. ref C-00283-I-1
		Date 9604

Ref.	Part No	Description	Machine unit No or Subassembly description / Qty								Notes
			544905 -								
			- 04								
1	543769 83	Bowl body	1	-	-	-	-	-	-	-	■
1.1	537623 01	Guide lug	1								
2	538124 02	Nozzle 3 mm	3								
3	543404 02	Operating slide	1	-	-	-	-	-	-	-	■
4	543422 03	Rectangular ring	1								
5	537838 07	Valve plug	6								
6	226214 74	Spring	24								
7	541690 81	Spring support	1	-	-	-	-	-	-	-	■
8	543343 01	Gasket	1								
9	528166 02	Screw	6								
10	529608 01	Sleeve with wings	1								
11	221131 03	Screw	3								
12	223412 25	O-ring	1								
13	542952 01	Sliding bowl bottom	1								
14	523116 04	Rectangular ring	1								
15	542953 01	Nozzle 0 mm	12								
15.1	542953 02	Nozzle 0,7 mm	12								
15.2	542953 03	Nozzle 0,8 mm	12								
15.3	542953 04	Nozzle 0,9 mm	12								
16	72354	Rectangular ring	1								
17	542311 80	Distributing cone	1	-	-	-	-	-	-	-	■
18	223330 03	Gasket	1								
19	541931 81	Distributor	1	-	-	-	-	-	-	-	■
20	539194 05	Bottom disc	1								
22	539194 04	Bowl disc	3								
24	539194 04	Bowl disc	204								
25	538540 83	Bowl hood	1	-	-	-	-	-	-	-	■
26	543170 01	Seal ring	1								
27	260190 06	O-ring	1								
28	543766 02	Lock ring	1	-	-	-	-	-	-	-	■
29	529628 01	Gasket	1								
30	544106 80	Paring chamber top part	1								
31	529600 01	Lock ring	1								
32	538520 02	Cap nut	1								

■ Utbyte nödvändigör ombalansering av kulan. Exchange necessitates rebalancing of bowl. Austausch erfordert Wiederauswuchtung der Trommel. L'échange nécessite le rééquilibrage du bol. El cambio hace necesario un nuevo equilibrado del rotor. La sostituzione comporta la riequilibratura del tamburo. A substituição exige o reequilíbrio do rotor. Vaihdeittaessa kuula tasapainoitettava uudelleen.



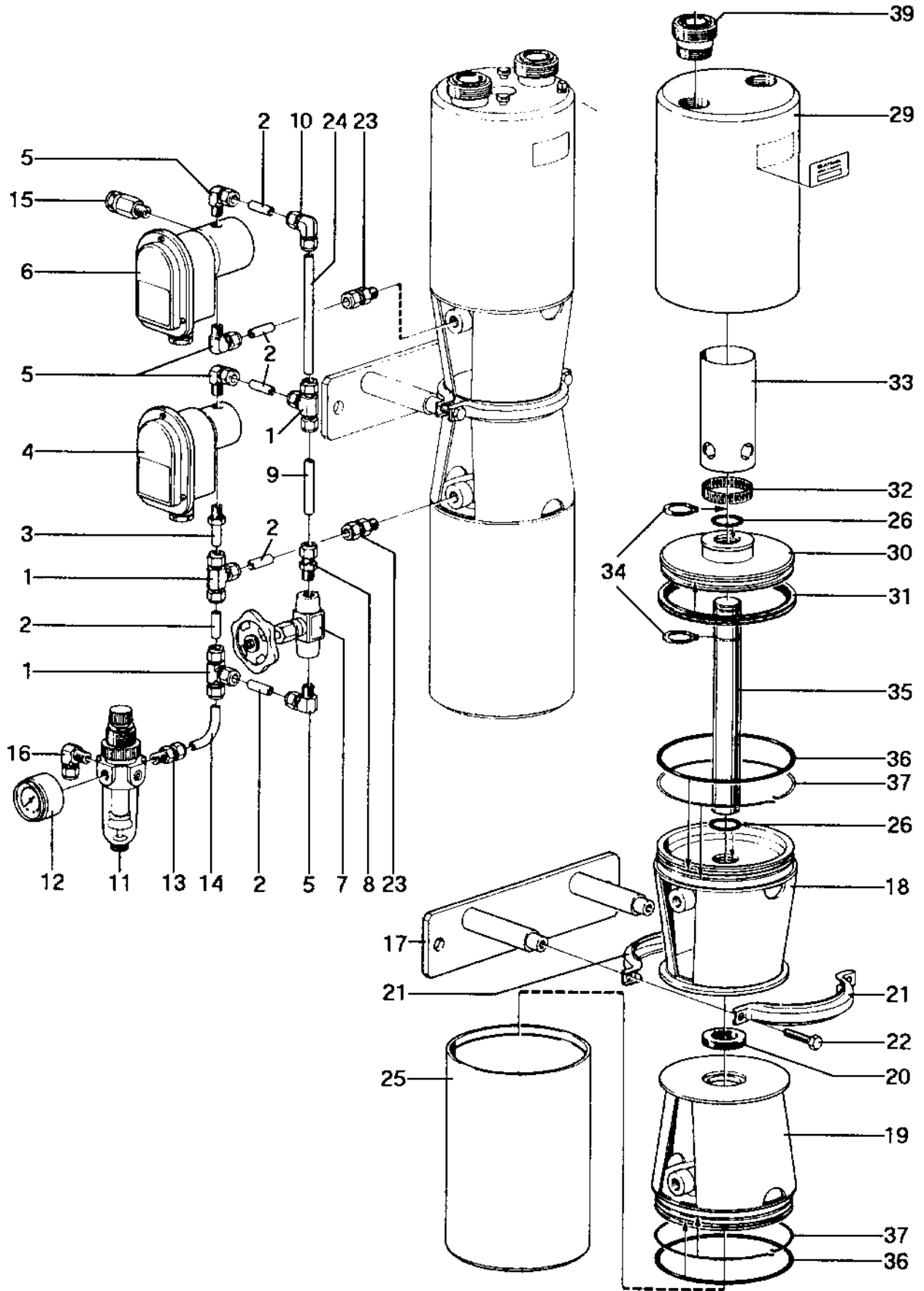
Ref.	Part No	Description	Machine unit No or Subassembly description / Qty							Notes
			545896 -							
			- 07							
1	529642 02	Paring disc bottom part.....	1							
2	546273 80	Paring disc top part.....	1							
3	529763 01	Gasket.....	1							
4	545936 80	Discharge cover.....	1							
5	190606	Rectangular ring.....	1							
6	190999	Sleeve.....	1							
7	190618	Coupling nut.....	1							
8	190991	Seal ring.....	1							
9	536447 80	Inlet pipe.....	1							
10	190604	Rectangular ring.....	2							
11	538174 01	Nozzle d=30.....	1	-	-	-	-	-	-	ø = 30 mm
11	538174 02	Nozzle d=20.....	1	-	-	-	-	-	-	ø = 20 mm
11	538174 03	Nozzle d=25.....	1	-	-	-	-	-	-	ø = 25 mm
11	538174 05	Nozzle d=15.....	1							
12	536448 82	Inlet bend.....	1							
13	190606	Rectangular ring.....	1							
14	190999	Sieve.....	1							
15	190618	Coupling nut.....	1							
16	526350 01	Plug.....	1							
18	260197 06	Pipe union.....	2							
19	535587 08	Nozzle.....	2	-	-	-	-	-	-	ø = 1.0 mm
19	535587 10	Nozzle.....	2	-	-	-	-	-	-	ø = 1.5 mm
20	526350 02	Plug.....	2							
20.1	526350 02	Plug.....	2							



Q MRKX 5179GV-34C	Parts for mount. of motor
	Subassembly description

Fig. ref C-00586-0-4
Date 9604

Ref.	Part No	Description	Machine unit No. or Subassembly description / Qty 546093 -							Notes
			- 01							
1	543688 80	Foundation plate.....	1							
2	785332 02	Adjusting washer.....	18							
3	528729 02	Holder.....	3							
4	221731 11	Screw.....	9							
5	528186 02	Frame foot.....	3							
6	528738 02	Rubber cushion.....	3							
7	65235	Rectangular ring.....	3							
8	260001 21	Screw.....	3							
9	223142 04	Washer.....	3							
10	544782 80	Brake pulley.....	1							
10A	221581 74	Screw.....	1							
11	544781 02	Motor adapter.....	1							
12	221726 09	Screw.....	6							
13	260176 01	Stud bolt.....	6							
14	70490	Washer.....	6							
15	221803 34	Nut.....	6							
16	544790 01	Spacing pin.....	1							
17	544057 81	Guard.....	1							
17A	43631	Seal strip.....	2							
17B	543775 81	Guide ring.....	1							
18	221851 11	Cap nut.....	1							
19	543776 81	Covering plate f prot cap.....	1							
19A	543778 80	Locking plate.....	1							
19B	543777 02	Covering plate.....	1							
19C	221803 40	Nut.....	1							
19D	68617	Slotted pin.....	1							



Q MRKX 517SGV-34C

Owm-twin 240 24vdc std.

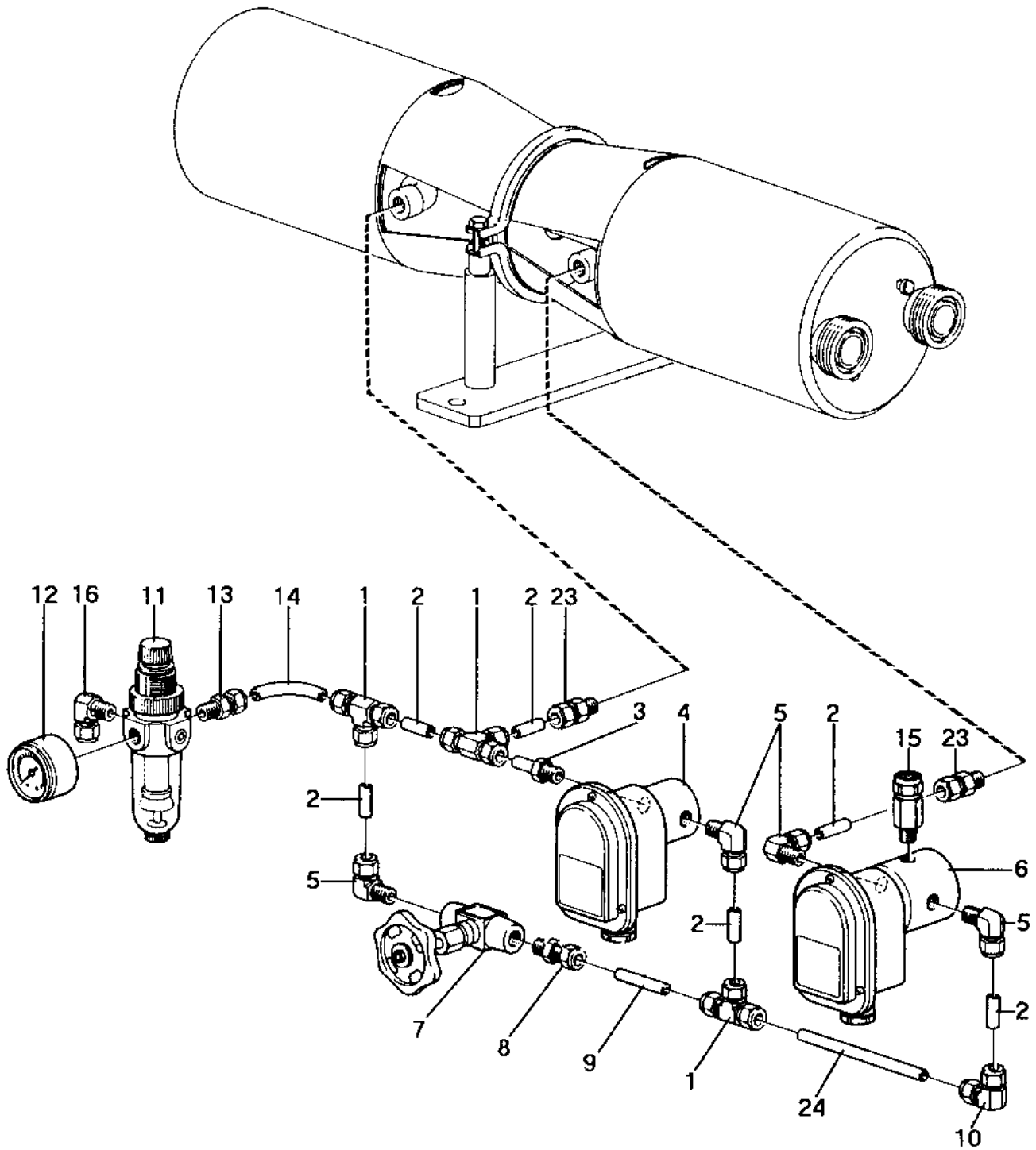
070-1

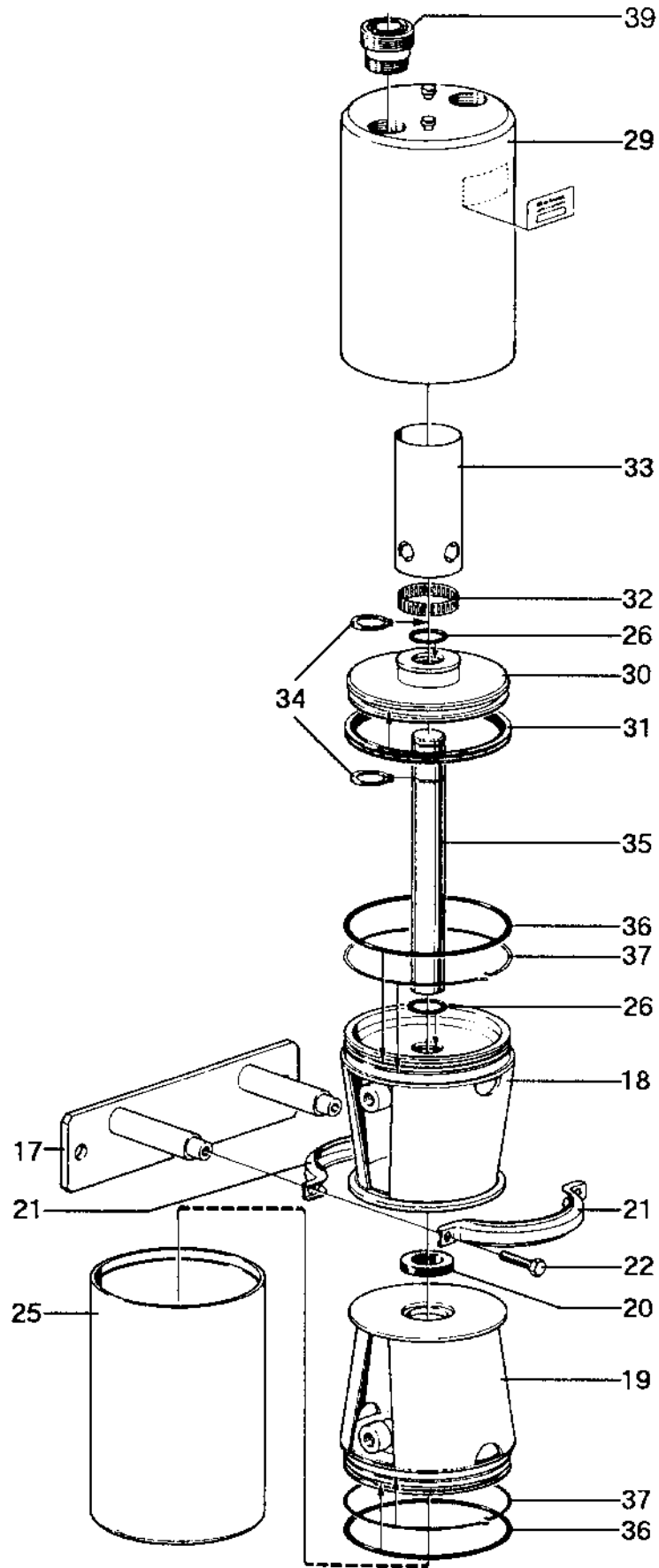
Fig. ref
C-00017-1-7

Date
9604

Subassembly description

Ref.	Part No	Description	Machine unit No or Subassembly description / Qty							Notes
			554569 -							
			- 05							
		24 V DC	J							
1	552894 13	Union tee	3							
2	552894 32	Port connector	6							
3	552755 13	Tube adapter	1							
4	554495 01	Solenoid valve 24vdc.....	1							
5	552755 73	Male elbow connector.....	4							
6	552652 80	Solenoid valve 24vdc.....	1							
7	554038 01	Needle valve.....	1							
8	552755 43	Male connector.....	1							
9	554069 02	Pipe	1							
10	552894 02	Union elbow.....	1							
11	770120 05	Filter regulator	1							
12	543054 20	Pressure gauge	1							
13	552755 32	Male connector.....	1							
14	554068 03	Elbow pipe	1							
15	553325 02	Silencer.....	1							
16	552755 60	Male elbow connector.....	1							
17	544968 82	Holder.....	1							
18	554712 01	Intermediate part	1							
19	554713 01	Intermediate part	1							
20	545098 02	Washer	1							
21	544611 01	Clamp half	2							
22	221036 06	Screw.....	2							
23	552755 33	Male connector.....	2							
24	554069 07	Pipe	1							
25	555752 01	Cylinder	1							
26	223406 49	O-ring.....	2							
29	555751 01	Cylinder	1							
30	554065 01	Piston.....	1							
31	554090 02	Piston seal.....	1							
32	554094 01	Tolerance ring.....	1							
33	554059 03	Distance pipe.....	1							
34	519975 05	Snap ring	2							
35	544590 01	Piston rod	1							
36	223406 17	O-ring.....	2							
37	552835 02	Locking wire.....	2							
39	544587 01	Nipple	2							

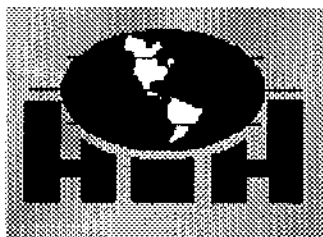




C-00017-U-1

Q MRKX 5179GV-34C	Owm-twin 240 vac std.	070-2
	Subassembly description	Fig. ref C-00017-T-1 +
		Date 9604

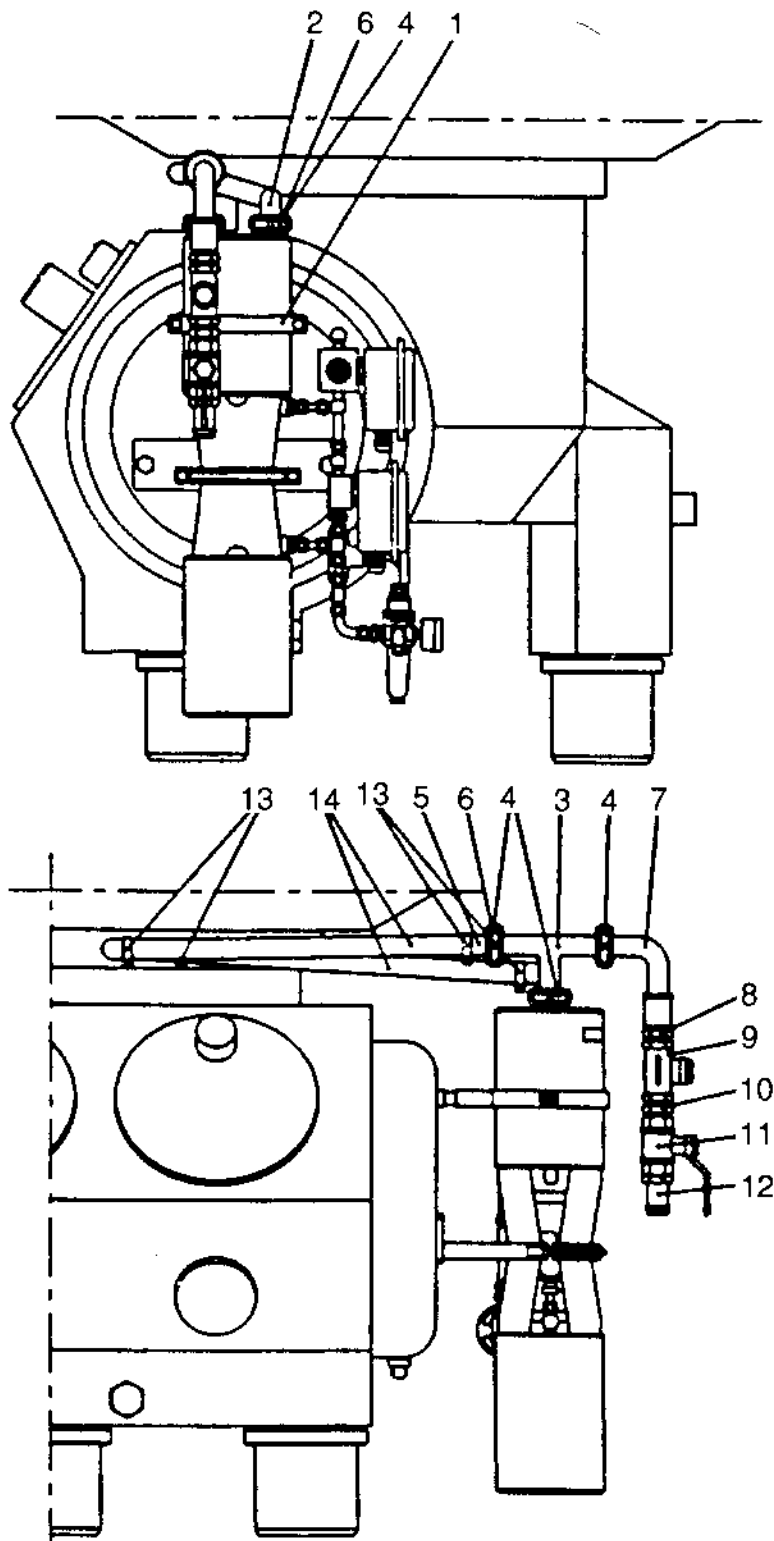
Ref.	Part No	Description	Machine unit No or Subassembly description / Qty 554569 -							Notes
			- 06	- 07	- 08					
		24 V AC, 50/60 Hz	↓							
		48 V AC, 50/60 Hz		↓						
		110 V AC, 50/60 Hz			↓					
1	552894 13	Union tee	3	3	3					
2	552894 32	Port connector	6	6	6					
3	552755 13	Tube adapter	1	1	1					
4	554495 02	Solenoid valve 24vac.....	1							
4	554495 03	Solenoid valve 48vac.....		1						
4	554495 04	Solenoid valve 110vac.....			1					
5	552755 73	Male elbow connector.....	4	4	4					
6	552652 81	Solenoid valve 24vac.....	1							
6	552652 82	Solenoid valve 48vac.....		1						
6	552652 83	Solenoid valve 110vac.....			1					
7	554038 01	Needle valve	1	1	1					
8	552755 43	Male connector	1	1	1					
9	554069 02	Pipe	1	1	1					
10	552894 02	Union elbow	1	1	1					
11	770120 05	Filter regulator	1	1	1					
12	543054 20	Pressure gauge	1	1	1					
13	552755 32	Male connector	1	1	1					
14	554068 03	Elbow pipe	1	1	1					
15	553325 02	Silencer.....	1	1	1					
16	552755 60	Male elbow connector.....	1	1	1					
17	544968 82	Holder	1	1	1					
18	554712 01	Intermediate part	1	1	1					
19	554713 01	Intermediate part	1	1	1					
20	545098 02	Washer	1	1	1					
21	544611 01	Clamp half	2	2	2					
22	221036 06	Screw.....	2	2	2					
23	552755 33	Male connector	2	2	2					
24	554069 07	Pipe	1	1	1					
25	555752 01	Cylinder	1	1	1					
26	223406 49	O-ring.....	2	2	2					
29	555751 01	Cylinder	1	1	1					
30	554065 01	Piston.....	1	1	1					
31	554090 02	Piston seal	1	1	1					
32	554094 01	Tolerance ring.....	1	1	1					
33	554059 03	Distance pipe.....	1	1	1					
34	519975 05	Snap ring	2	2	2					
35	544590 01	Piston rod	1	1	1					
36	223406 17	O-ring.....	2	2	2					
37	552835 02	Locking wire.....	2	2	2					
39	544587 01	Nipple	2	2	2					



Hutchison-Hayes Separators, Inc.

This is a Spacer Page

P.O. Box 2965 ♦ Houston, Texas 77252
3520 East Belt ♦ Houston, Texas 77015
(713) 455-9600 ♦ Fax (713) 455-7753



Q MRKX 517SGV-34C

Fittings for own

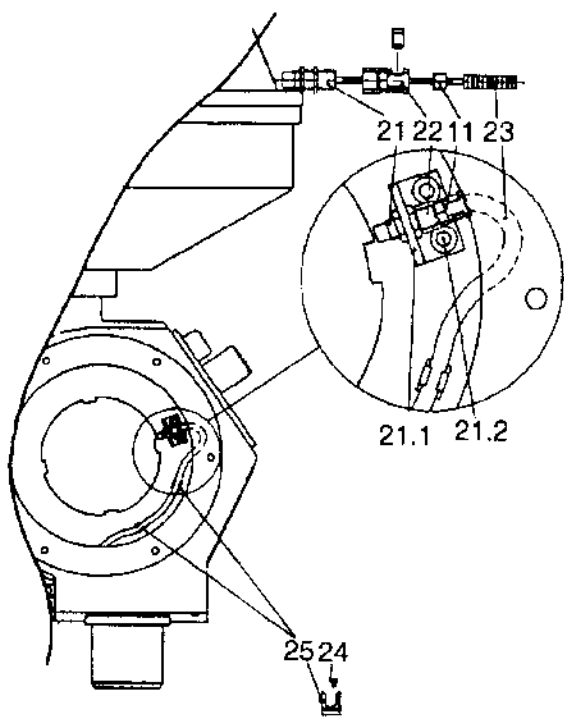
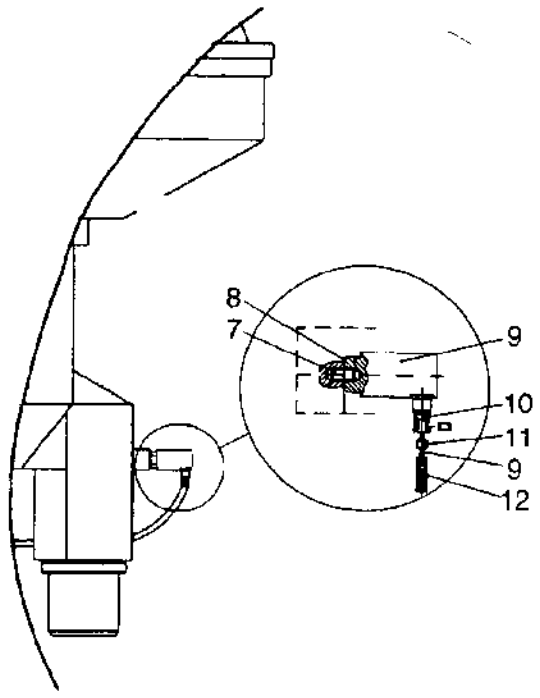
080-1

Fig. ref
C-01406-B-1

Date
9604

Subassembly description

Ref.	Part No	Description	Machine unit No or Subassembly description / Qty							Notes
			556640 -							
			- 01							
1	545113 80	Support	1							
2	545030 80	Bent hose liner	1							
3	544592 81	T-piece	1							
4	190801	Rectangular ring	4							
5	191577	Hose liner	1							
6	190813	Coupling nut	2							
7	544593 80	Elbow pipe	1							
8	543953 02	Nipple	1							
9	550675 01	Check valve	1							
10	545070 03	Reducing male part	1							
11	528826 06	Ball valve	1							
12	528920 07	Hose nipple	1							
13	42174	Hose clip	4							
14	544779 02	Hose	2							



Q MRKX 517SGV-34C

Monitoring kit

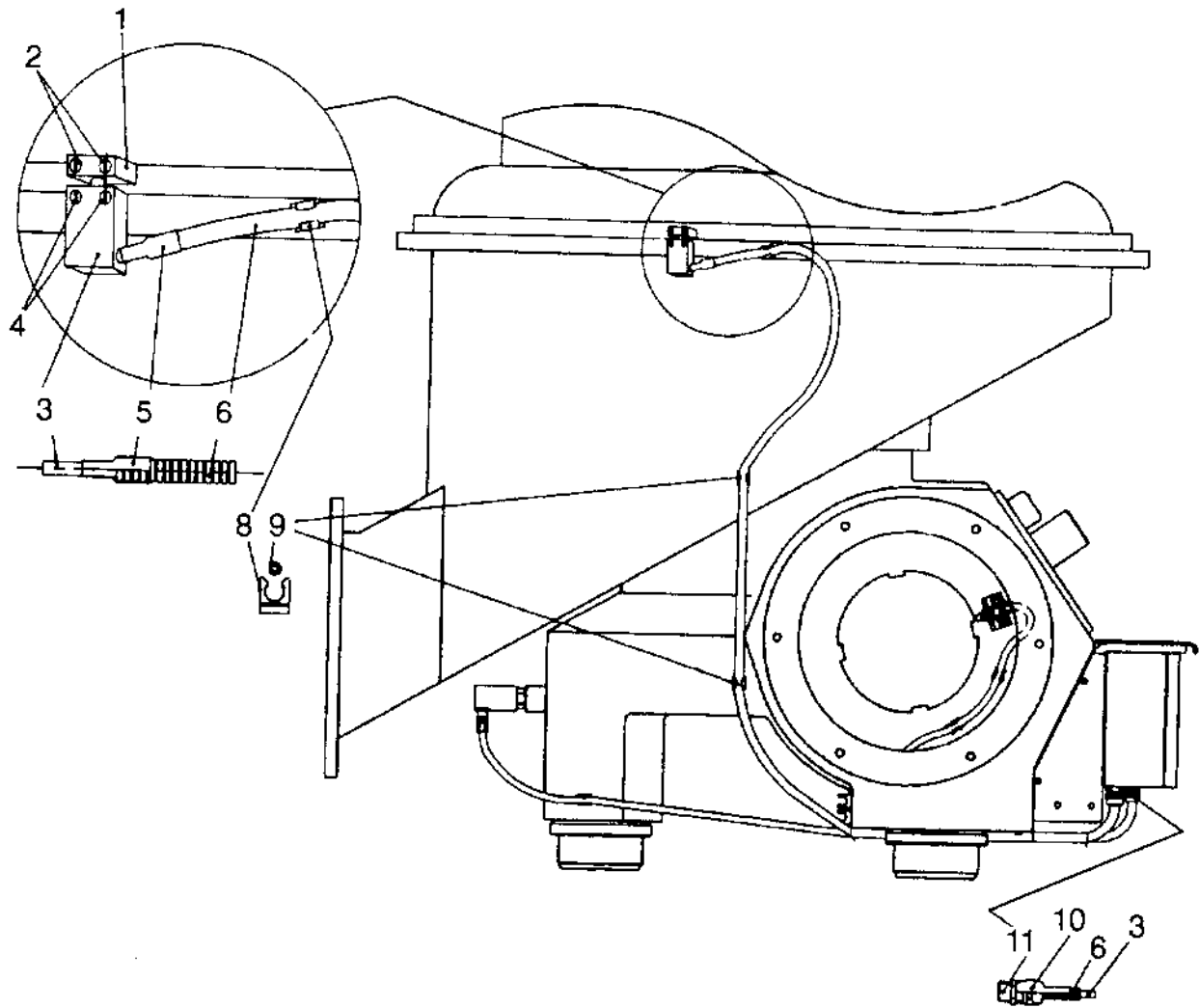
090-1

Fig. ref
C-01160-N-1

Date
9604

Subassembly description

Ref.	Part No	Description	Machine unit No or Subassembly description / Qty							Notes
			555476 -							
			- 03							
7	260080 15	Screw.....	1							
8	223132 04	Washer.....	2							
9	552158 02	Vibration sensor.....	1							
10	552870 50	Tube gland, straight.....	1							
11	552870 61	Compression gland.....	2							
12	556416 02	Protective tube.....	1							
21	552042 01	Inductive sensor	1							
21.1	548367 02	Holder.....	1							
21.2	221041 26	Screw.....	2							
22	552870 90	Tube adapter, straight.....	1							
23	556416 01	Protective tube.....	1							
24	221121 46	Screw.....	2							
25	552869 93	Tube clip.....	2							



Q MRKX 517SGV-34C

Cover interlocking kit

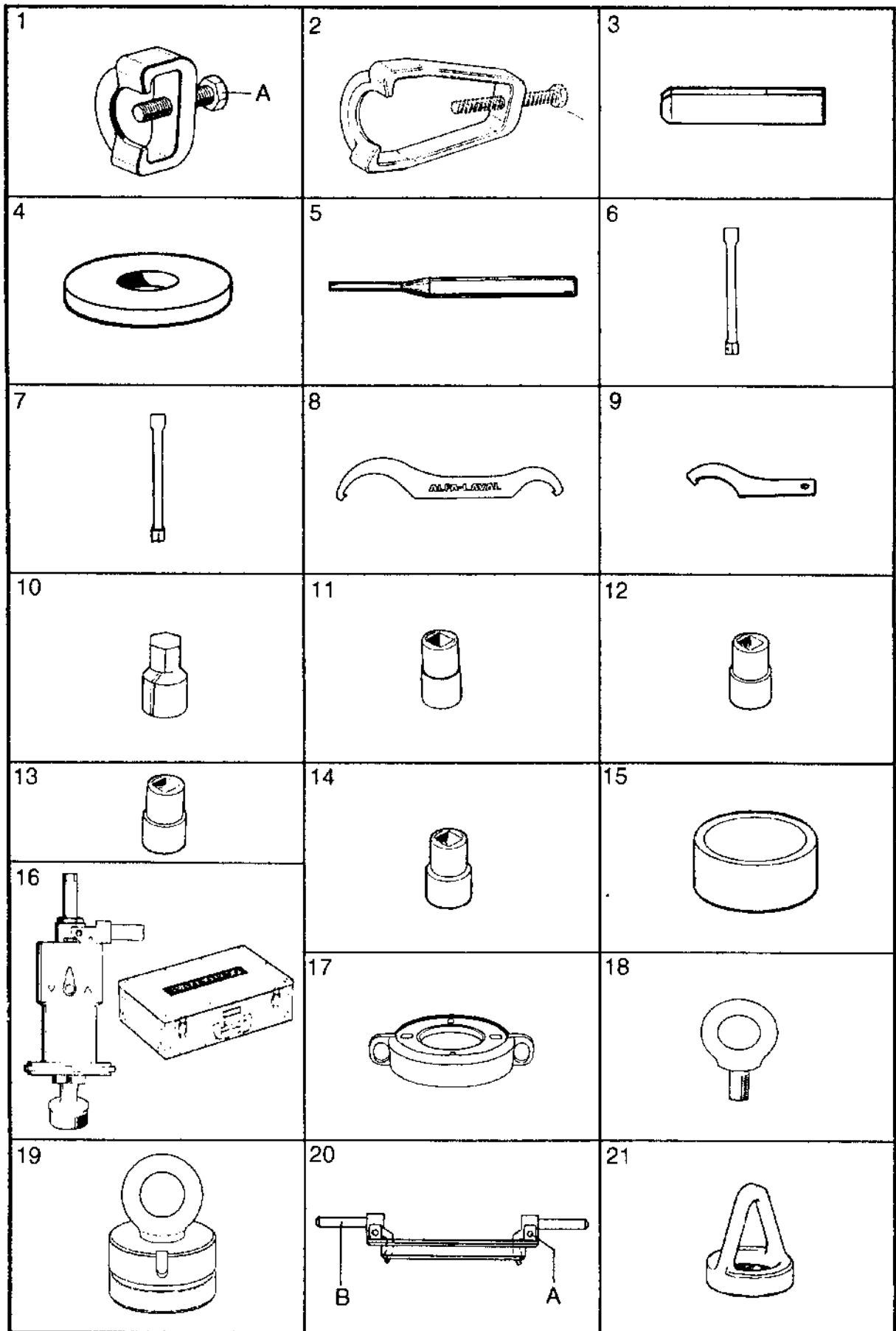
100-1

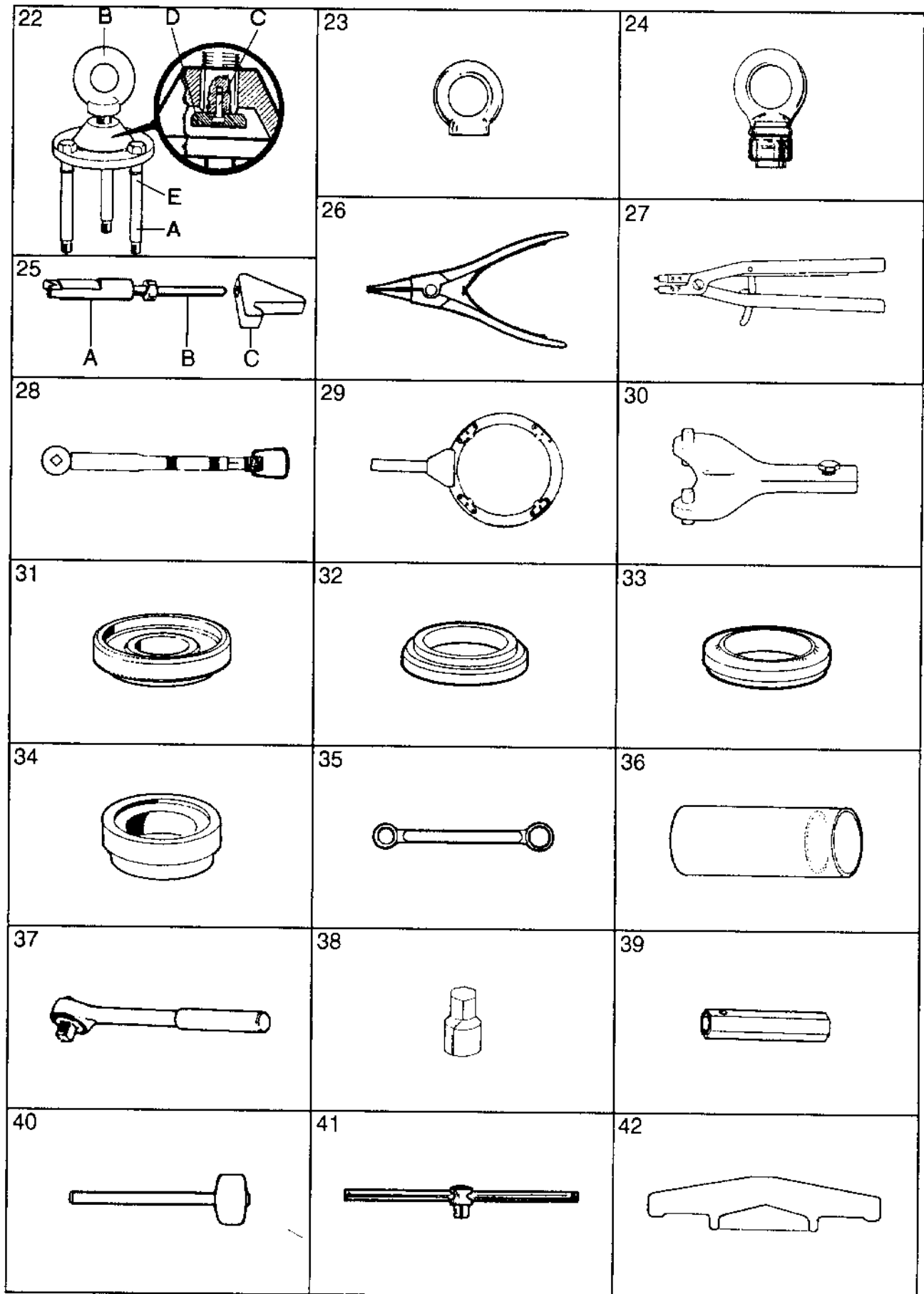
Fig. ref
C-01251-P-1

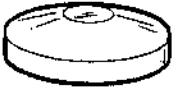
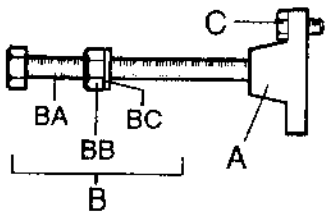


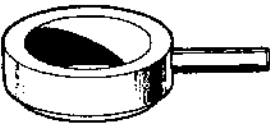
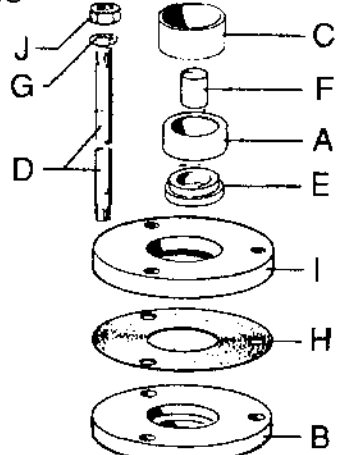


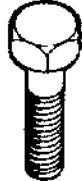


Date
9604

Subassembly description

Ref.	Part No	Description	Machine unit No or Subassembly description / Qty							Notes
			558613 -							
			- 01							
1	558561 01	Switch actuator.....	1							
2	221126 72	Screw.....	2							
3	551337 01	Limit switch.....	1							
4	221121 15	Screw.....	2							
5	554627 01	Shrinking tubing.....	1							
6	556416 06	Protective tube.....	1							
7	552957 01	Stud.....	3							
8	552869 94	Tube clip.....	3							
9	221803 26	Nut.....	3							
10	554627 02	Shrinking tubing.....	1							
11	555603 02	Cable gland brass.....	1							





<p>43</p> 	<p>44</p> 	<p>45</p> 
<p>46</p> 	<p>47</p> 	<p>48</p> 
<p>50</p> 	<p>51</p> 	
<p>52</p> 	<p>53</p> 	<p>54</p> 

Q MRKX 5179GV-34C	Set of tools
	Subassembly description

110-1A
Fig. ref C-00704-Z-1 + +
Date 9604

Ref.	Part No	Description	Machine unit No or Subassembly description / Qty							Notes
			555491 -							
			- 03							
1	545756 80	Puller	1							
1A	260001 41	Screw	1							
2	544302 02	Puller	1							
3	531296 81	Driving-off tool	1							
4	537441 01	Washer	1							
5	544372 01	Drift	1							
6	72244	Extension rod 255 mm	1	--	--	--	--	--	--	L = 255 mm
7	527348 01	Extension rod 125-150 mm	1	--	--	--	--	--	--	L = 125-150 mm
8	69696	Hook spanner	1							
9	8829	Hook spanner	1							
10	260164 06	Hexagon socket spanner	1	--	--	--	--	--	--	14 mm
11	73377	Socket for socket spanner	1	--	--	--	--	--	--	3/4"
12	527353 09	Socket 30 mm (1/2")	1	--	--	--	--	--	--	30 mm
13	73085	Socket 24 mm (1/2")	1	--	--	--	--	--	--	24 mm
14	75420	Socket 13 mm (1/2")	1	--	--	--	--	--	--	13 mm
15	544273 01	Sleeve	1							
16	543135 04	Compressing tool	1							
17	556513 80	Lifting tool	1							
18	260154 05	Lifting eye bolt	2	--	--	--	--	--	--	M16
19	555550 80	Lifting tool	1							
20	528380 81	Lifting tool	1							
20A	71405	Slotted pin	2							
20B	67782	Cylindrical pin	2							
21	545535 01	Lifting tool	1							
22	543307 80	Lifting tool	1							
22A	544088 01	Screw	3							
22B	543309 01	Lifting eye	1							
22C	543310 01	Washer	1							
22D	221711 02	Screw	1							
22E	68372	Snap ring	3							
23	540131 80	Lifting tool	1							
24	542270 81	Lifting tool	1							
25	543240 80	Assembl.tool f.wear prot.	1							
25A	542592 02	Tightening rod	1							
25B	543126 80	Clamp screw	1							
25C	542613 01	Gripping jaw	1							
26	42386	Mounting tongs	1							
27	66445	Snap ring pliers (hole)	1							
28	544371 01	Torque wrench	1							
29	529649 80	Spanner	1							
30	543346 01	Spanner	1							
31	546855 01	Ring	1							
32	543550 01	Ring	1							
33	543551 01	Ring	1							
34	544261 01	Ring	1							
35	528905 08	Ring spanner	1							
36	544288 01	Tube	1							
37	260161 01	Ratchet handle	1							
38	260164 03	Hexagon socket spanner	1	--	--	--	--	--	--	8 mm
39	521196 16	Socket spanner	1	--	--	--	--	--	--	36 mm
40	64324	Tin hammer	1							
41	72243	T-handle	1							
42	544264 01	Pressure washer	1							
43	543552 01	Mounting tool	1							

Q MRKX 5178GV-34C

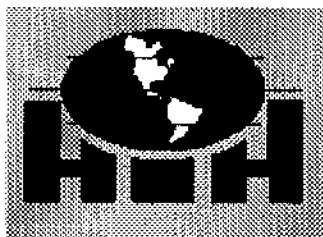
Set of tools

110-1B

Fig. ref
C-00704-Z-1 + +Date
9604

Subassembly description

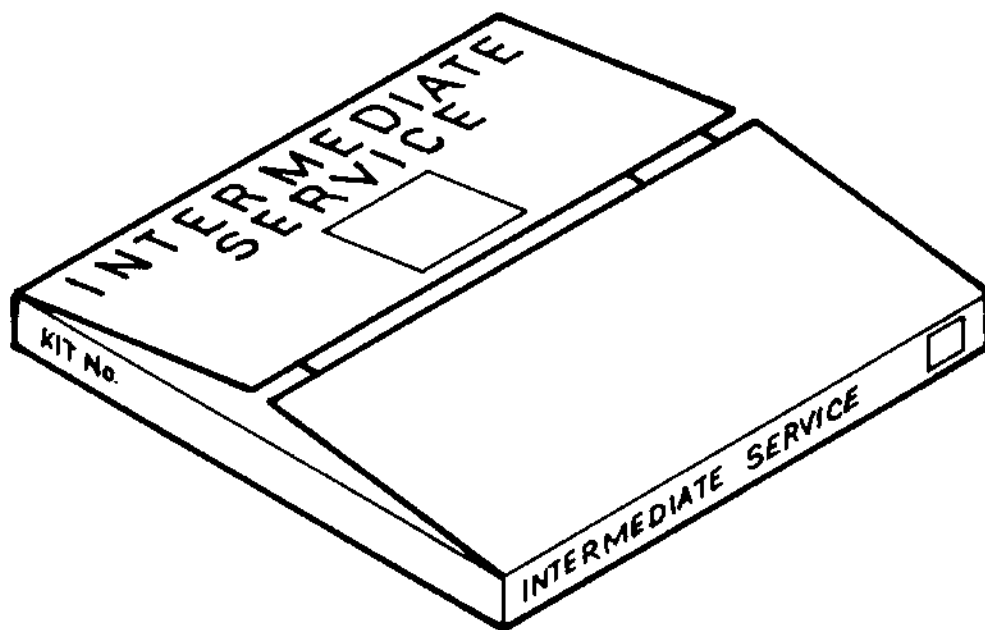
Ref.	Part No	Description	Machine unit No or Subassembly description / Qty 555491 -							Notes
			- 03							
44	543553 80	Dismounting tool	1							
45	555368 82	Turning tool bowl body	1							
45A	564960 82	Screw	1							
46	542118 81	Lifting eye	2	-	-	-	-	-	-	M12
47	545529 80	Pin spanner	1							
48	545540 80	Mount and dismount tool	1							
48A	545547 01	Ring	1							
48B	545541 01	Plate lower	1							
48C	545546 01	Sleeve	1							
48D	545544 01	Bar	3							
48E	545545 01	Support ring	1							
48F	545548 01	Intermediate part	1							
48G	68372	Snap ring	3							
48H	545543 01	Washer	1							
48I	545542 01	Plate upper	1							
48J	221803 35	Nut	3	-	-	-	-	-	-	M20
50	527353 05	Socket 18 mm (1/2")	1	-	-	-	-	-	-	18 mm
51	553188 02	Lifting eye	3							
52	2 210463 13	Screw	3							
53	221803 40	Nut	3							
54	556741 01	Washer	3							



Hutchison-Hayes Separators, Inc.

This is a Spacer Page

P.O. Box 2965 ♦ Houston, Texas 77252
3520 East Belt ♦ Houston, Texas 77015
(713) 455-9600 ♦ Fax (713) 455-7753



Q MRKX 517SGV-34C

Intermediate service kit

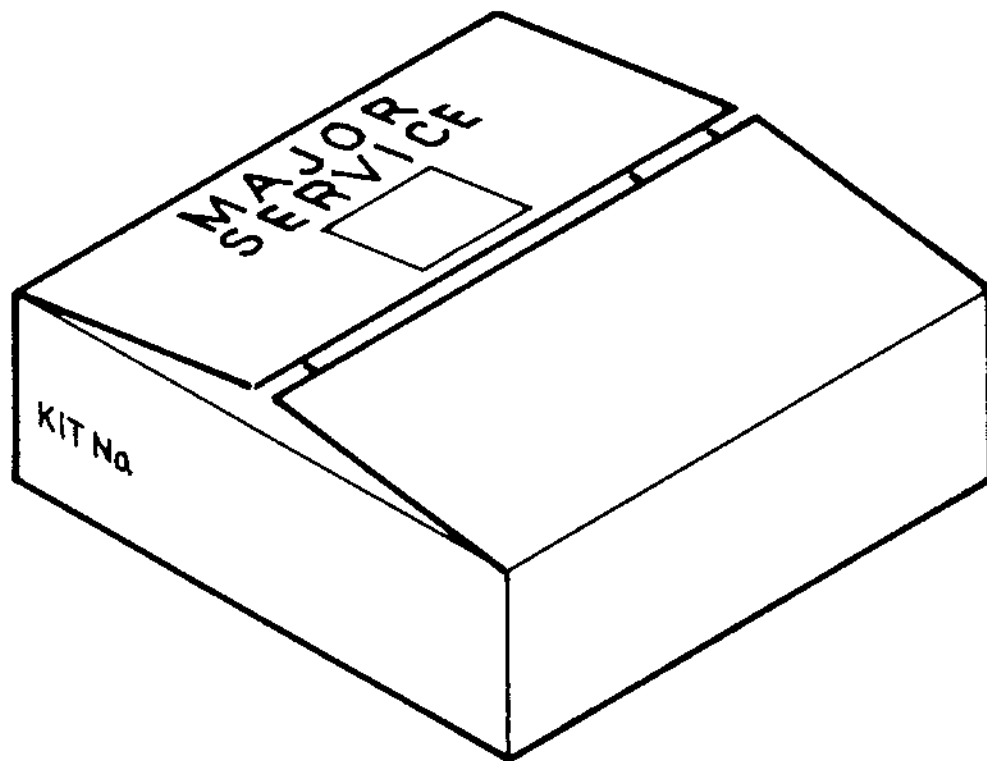
120-1

Fig. ref
C-00780-0-1

Date
9604

Subassembly description

Ref.	Part No	Description	Machine unit No or Subassembly description / Qty							Notes
			549208 -							
			- 05							
1	543422 03	Rectangular ring	1							
2	537838 07	Valve plug	6							
3	543343 01	Gasket	1							
4	523116 04	Rectangular ring	1							
5	223412 25	O-ring	1							
6	72354	Rectangular ring	1							
10	543170 01	Seal ring	1							
11	260190 06	O-ring	1							
12	529628 01	Gasket	1							
15	223330 03	Gasket	1							
18	529763 01	Gasket	1							
19	190991	Seal ring	1							
20	190606	Rectangular ring	2							
21	190604	Rectangular ring	2							
24	74634	O-ring	3							
25	223316 05	Rectangular ring	1							
26	528732 01	Gasket	1							
27	539474 03	Silicone grease	1	-	-	-	-	-	-	25 g
28	554336 01	Lubricating paste	1							



Q MRKX 517SGV-34C

Major service kit

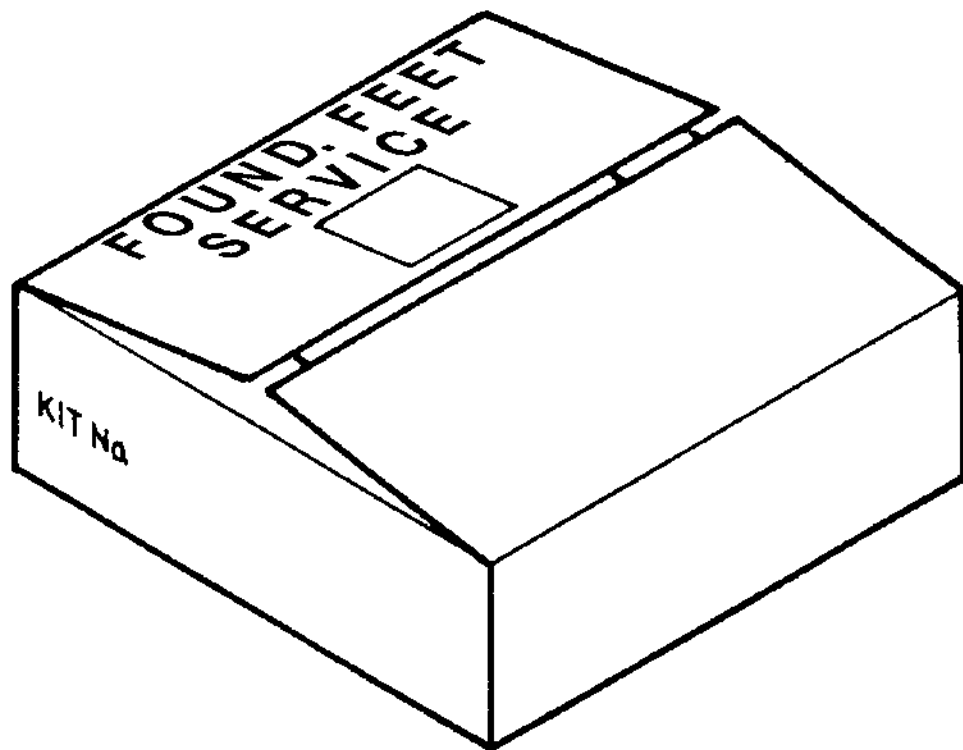
130-1

Fig. ref
C-00781-0-1

Date
9604

Subassembly description

Ref.	Part No	Description	Machine unit No or Subassembly description / Qty							Notes
			549223 -							
			- 01							
1	37167	Rectangular ring	1							
2	528723 01	Gasket	1							
3	73665	Rectangular ring	2							
4	43626	Gasket	1							
5	43630	Seal strip	1							
6	545063 03	Tolerance ring	1							
7	233211 94	Ball bearing	1							
8	8379	Ball bearing	1							
9	60571	Elastic plate	3							
10	38411	O-ring	1							
11	548747 07	Ball bearing	1							
12	223642 49	Snap ring	1							
13	548745 04	Ball bearing	1							
14	223641 01	Snap ring	1							
15	66076	Lock washer	1							
16	529639 02	Rubber buffer	2							
17	541453 05	U-shim-ring	3							
18	555231 01	Seal ring	1							
19	544271 01	Seal ring	1							
20	223412 18	O-ring	1							
21	548746 04	Ball bearing	1							
22	223406 36	O-ring	1							
23	310637 84	Friction pad	1							
28	539244 02	Height adjusting ring	2							
29	545318 01	Seal strip	1							



Q MRKX 5178GV-34C	Service kit f. found feet
	Subassembly description

140-1
Fig. ref C-00781-0-3
Date 9604

Ref.	Part No	Description	Machine unit No or Subassembly description / Qty 553048 -								Notes
			- 01								
1	221731 11	Screw.....	9								
2	528738 02	Rubber cushion	3								
3	65235	Rectangular ring	3								
4	260001 21	Screw.....	3								