

Hutchison-Hayes Separators, Inc.

Model MSD 300-01-777 Parts List With Diagrams

P.O. Box 2965 ♦ Houston, Texas 77252
3520 East Belt ♦ Houston, Texas 77015
(713) 455-9600 ♦ Fax (713) 455-7753

FRAME

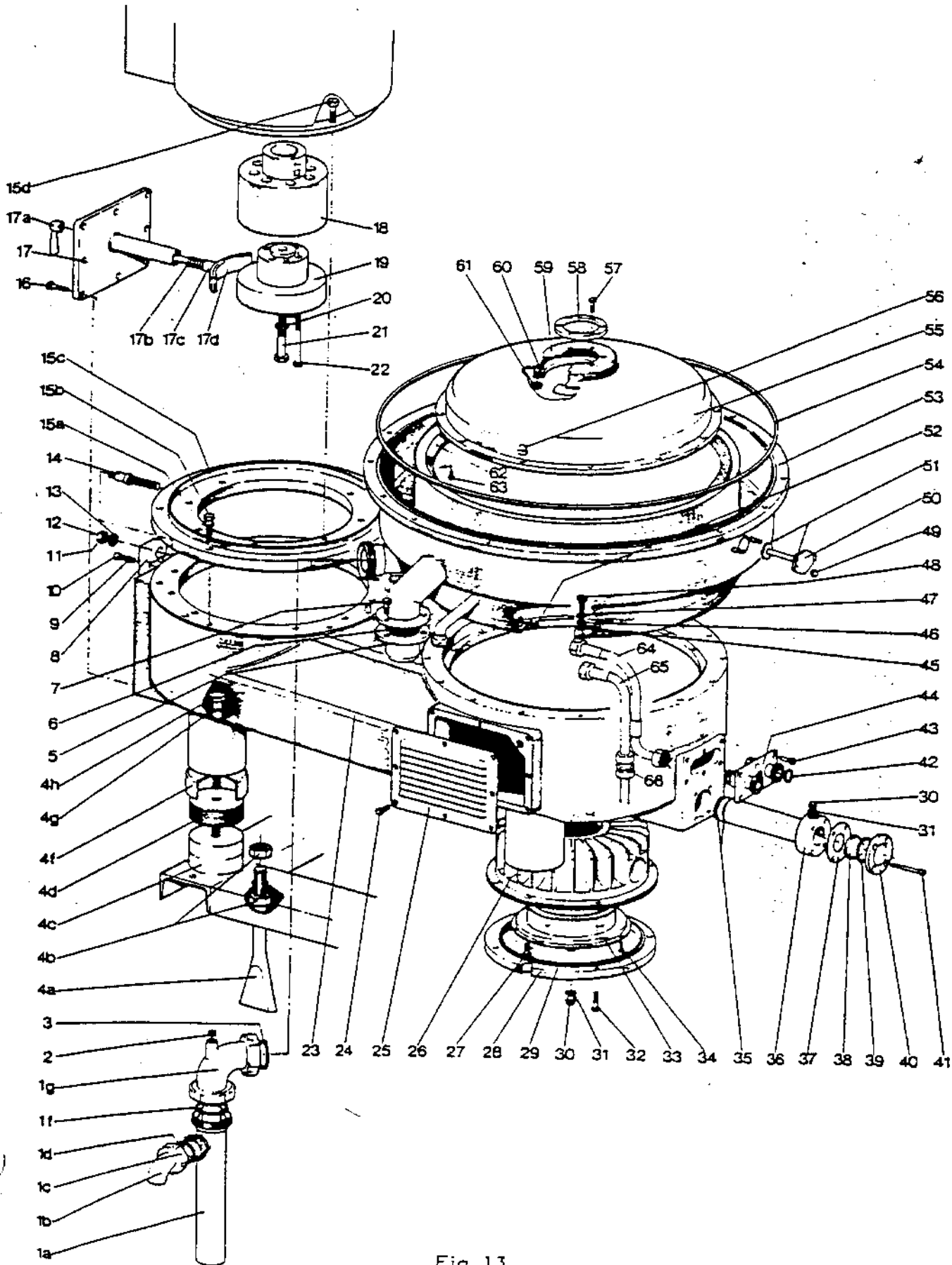


Fig. 13

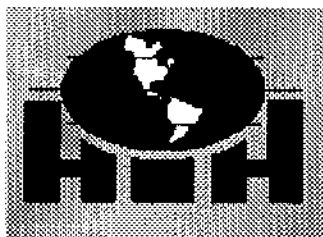
No. in Fig.	Part - No.	Qty.	Part Description
-	3287-2775-010	1	Siphon, complete (1a-g)
1a	3287-2774-010	1	Siphon jar
1b	0018-1604-300	1	Bend 50
1c	0013-2845-300	1	Grooved coupling nut DIN 11851 - F50
1d	0007-2211-750	1	Gasket DIN 11851 - G50
1f	0007-2520-750	1	Gasket DIN 11851 - G80
1g	3287-1122-010	1	Pipe
2	0019-0645-400	1	Threaded plug R 1/2"
3	0007-2520-750	1	Gasket DIN 11851 - G80
-	3287-1020-010	1	Foundation frame assembly (4a-h)
4a	0019-4868-000	10	Anchor bolt DIN 529 - FM 16x250 - Mu
4b	0013-0282-150	20	Hexagon nut DIN 934 - M16 - 8
4c	3287-1003-010	1	Foundation frame
4d	0021-3152-760	4	Rubber-metal cushion
4f	0026-2119-400	4	Cap
4g	0026-1330-190	4	Lock washer DIN 127 - A16
4h	0019-7056-150	4	Hex head screw
5	1167-1045-000	1	Pipe connection
6	0007-2113-750	1	Gasket 94/104x6
7	0019-6968-300	3	Hex head screw DIN 933 - M 12x25
8	3287-1079-000	1	Plate
9	0026-1330-300	4	Lock washer DIN 127 - B16
10	0019-6202-400	4	Allen screw DIN 912 - M 16x45
11	0026-1564-300	1	Cylindrical notched pin DIN 1473 - 5x28
12	0013-0284-400	1	Hexagon nut DIN 934 - M20
13	0026-1358-400	1	Washer DIN 125 - 21
14	3287-1161-000	1	Adjusting screw
-	3287-1021-000	1	Flange assembly (15a-d)
15a	0026-1335-400	10	Washer DIN 125 - 17
15b	0019-6608-400	10	Hex head screw DIN 931 - M 16x60
15c	3287-1028-000	1	Flange
15d	0019-6607-400	8	Hex head screw DIN 931 - M 16x55
-	0026-1330-300	8	Lock washer DIN 127 - B16
16	0019-6935-400	8	Hex head screw DIN 933 - M 10x25
17	3287-1043-010	1	Brake assembly
17a	0021-3514-690	1	Handle M16
17b	0006-4354-160	1	Cylindrical pressure spring
17c	3287-1031-000	1	Brake bolt, complete
17d	0021-4096-850	1	Brake lining
-	0026-1263-550	4	Countersunk rivet DIN 661 - 4x15
18	see page 15/3	1	Flat belt pulley (motor)
19	3287-3371-000	1	Brake pulley
20	0026-1332-190	1	Lock washer DIN 127 - A20
21	0019-6680-150	1	Hex head screw DIN 931 - M 20x190 - 8.8
22	0019-6553-400	4	Hex head screw DIN 931 - M 12x170
23	3287-1006-010	1	Lower section of frame
24	0019-6931-400	16	Hex head screw DIN 933 - M 10x16
25	3287-1085-000	2	Ventilation grid
26	3287-1345-000	1	Upper part of oil pan
27	0019-6935-150	2	Hex head screw DIN 933 - M 10x25 - 8.8
28	3287-1343-000	1	Lower part of oil pan
29	0007-2637-750	1	Gasket 380x4

* This part is included in the preceding complete part, but it is also available as separate item.

** Important: Use only rubber-metal cushions from Westfalia Separator, which ensure a smooth run of the separator.

FRAME

No. in Fig.	Part - No.	Qty.	Part Description
30	0019-9117-400	2	Lock screw DIN 7604 - AM 22x1.5
31	0007-1798-550	2	Gasket DIN 7603 - C 22x27
32	0019-6515-150	4	Hex head screw DIN 931 - M 10x55 - 8.8
33	3287-1347-000	1	Oil return pipe
34	0019-6093-150	4	Allen screw DIN 912 - M 5x16 - 8.8
35	0007-1945-750	2	Gasket 65/3
36	3287-1348-000	1	Oil return housing
37	0004-2601-750	1	Gasket 56/118x2
38	0001-0028-830	1	Sight glass
39	0004-5056-740	1	Gasket 70/80x2
40	3212-1124-040	1	Flange
41	0019-6131-300	4	Allen screw DIN 912 - M 8x60
42	0007-2208-750	2	Gasket DIN 11851 - G25
43	0019-6903-300	6	Hex head screw DIN 933 - M 8x20
44	3287-1203-000	1	Connection piece
45	0004-5266-550	16	Gasket 12.2/17x2 (soft copper)
46	0026-5734-300	16	Washer 12.2x17.8x3
47	0004-2286-400	16	Gasket 12.7x18x1.5
48	0019-6970-400	16	Hex head screw DIN 933 - M 12x30
49	0013-0278-300	2	Hexagon nut DIN 934 - M8
50	3287-1183-000	1	Plug
51	0007-1780-750	2	Gasket 38/4
52	0004-2393-708	1	Packing cord 5x5x2400
53	3287-1018-010	1	Sediment collector
54	0004-2358-808	1	Packing cord 8x3560
55	3287-1191-000	1	Cover
56	0013-0405-400	12	Cap nut DIN 1587 - M10
57	0019-6906-300	6	Hex head screw DIN 933 - M 8x25
58	3287-1157-010	1	Ring
59	0004-1668-750	1	Seal
60	3287-1157-000	1	Ring
61	0013-0279-400	6	Hexagon nut DIN 934 - M10
62	0007-1730-840	1	Gasket 804x850x23
63	0019-6120-400	16	Allen screw DIN 912 - M 8x16
64	0018-1534-000	2	High-pressure hose 20x545
65	0018-1523-000	1	High-pressure hose 20x470
-	0007-2993-750	6	Gasket 27/2.5 (replacement for pos. 64 and 65)
66	0018-3416-030	1	Straight screw coupling DIN 2353 - ES 25



Hutchison-Hayes Separators, Inc.

This is a Spacer Page

P.O. Box 2965 ♦ Houston, Texas 77252
3520 East Belt ♦ Houston, Texas 77015
(713) 455-9600 ♦ Fax (713) 455-7753

BOWL

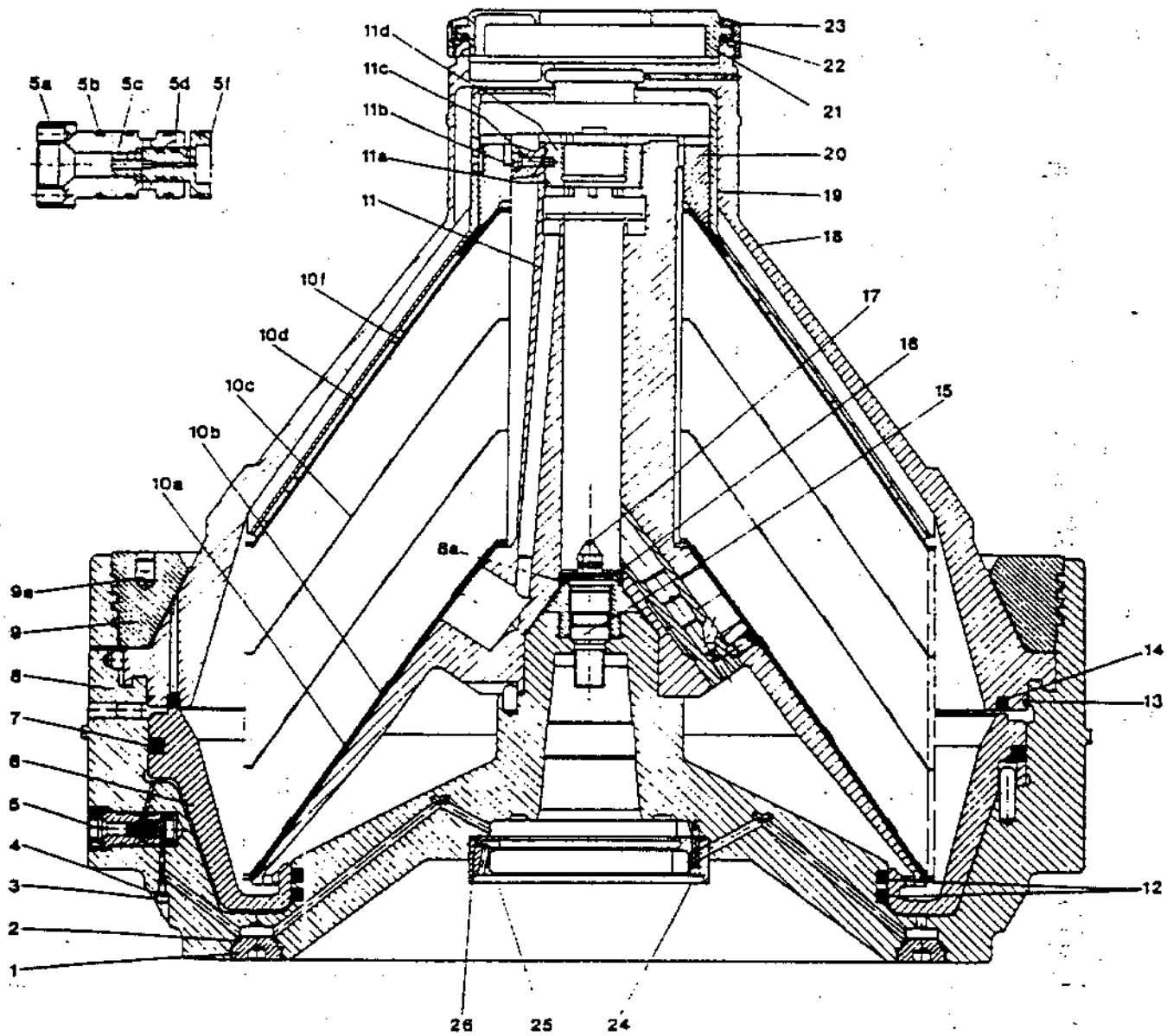


Fig. 19

Bowl

No. in Fig.	Part - No.	Qty.	Part Description
-	1235-6600-000	1	Bowl, complete (1-26)
1	0019-1450-400	4	✓ Threaded plug
2	0007-1970-840	4	✓ Gasket 26.5/35x5.25
3	0019-6105-400	1	Allen screw DIN 912 - M 6x12
4	0004-2288-400	1	✓ Gasket 7.3x10.2x1
5	3159-6280-000	1	Valve assembly (5a-f)
5a	3159-6281-000	1	Valve housing
5b	0007-2920-750	4	Gasket 23.3/2.4
5c	0004-2341-840	1	Gasket 6/9.9x10.5
5d	0007-2923-750	2	Gasket 9.3/2.4
5f	3159-6276-000	1	Valve piston
6	1226-6501-000	1	* Sliding piston
7	0007-2984-760	1	Gasket 670x694x12 636x660x12
8	1226-6604-000	1	* Bowl bottom
8a	0007-2229-750	1	Gasket 40/48x5
9	1226-6631-010	1	* Lock ring
9a	0019-6346-400	4	Threaded pin DIN 913 - AM 16x20
-	1226-6660-000	1	Set of discs (10a-f)
10a	1226-6662-000	1	Bottom disc
10b	1226-6663-010	4	Disc
10c	1226-6663-000	224	Disc
10d	1226-6663-010	1	Disc
10f	1226-6664-000	1	Compensating disc
11	1235-6620-000	1	* Distributor, complete
11a	0007-1945-750	2	** Gasket 65/3
11b	0004-2291-410	2	** Gasket 8.7/14x1
11c	0019-0264-400	2	** Cheese-head screw M 8x25
11d	1235-6526-010	1	** Threaded sleeve
12	0007-2478-750	2	Gasket 445x465x10
13	0007-1956-750	1	Gasket 665/5
14	0007-2377-840	1	Gasket 647x12.5
15	0019-0320-420	1	Spindle screw
16	0007-2501-750	1	Gasket 23/3
17	0019-0239-420	1	Spindle screw (plug)
18	1226-6610-000	1	* Bowl top
19	1226-6650-000	1	Separating disc
20	1226-6670-000	1	Upper disc
21	1226-6645-000	1	Centripetal pump chamber cover
22	0007-2854-750	1	Gasket 190/6
23	1165-6631-010	1	Lock ring
24	0019-6115-400	4	Allen screw DIN 912 - M 6x50
25	1226-6597-000	1	Ring
26	0007-2564-750	1	Gasket 170/3

07-2964-750

07-1756

* This part can only be replaced by one of our service engineers or by a special repair shop authorized by us.

** This part is included in the preceding complete part, but it is also available as separate item.

DRIVE

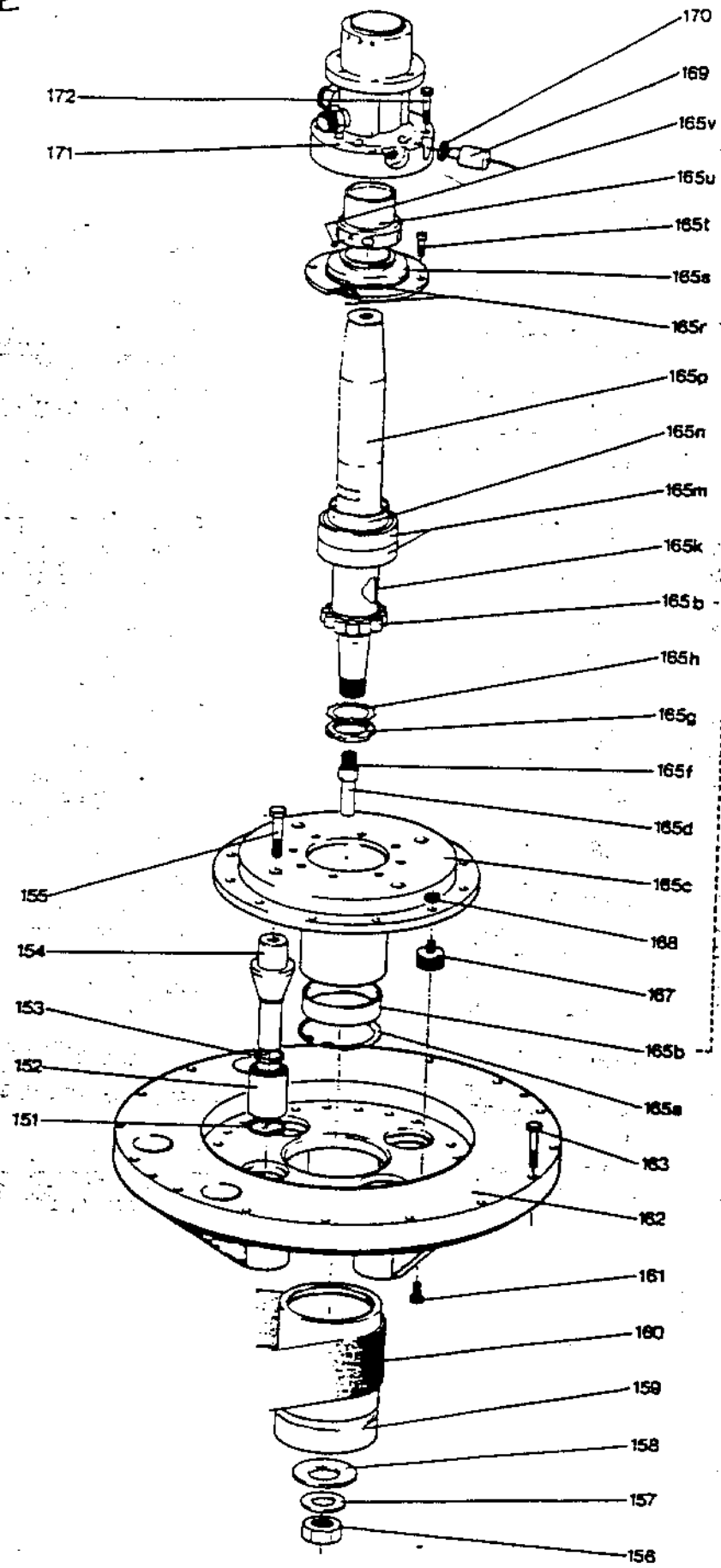


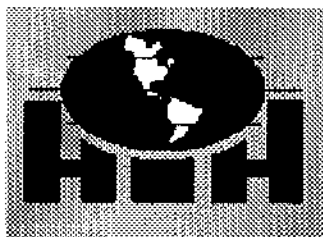
Fig. 15

No. in Fig.	Part - No.	Qty.	Part Description
151	3287-3419-010	4	Ring
152	0021-3372-750	4	** Rubber-metal bush 38/64x88
153	3287-3419-000	4	Ring
154	3287-3516-000	4	Bolt
155	0019-6609-150	4	Hex head screw DIN 931 - M 16x65 - 8.8
156	0013-0003-120	1	Hexagon nut DIN 934 - M 40x1.5
157	0026-2072-000	1	Washer
158	0006-4409-010	1	Cup spring
159	see page 15/3	1	Flat belt pulley (spindle)
160	see page 15/3	1	Flat belt
161	0019-6935-150	12	Hex head screw DIN 933 - M 10x25 - 8.8
162	3287-3367-010	1	Supporting disc
163	0019-6539-150	16	Hex head screw DIN 931 - M 12x65 - 8.8
165	3287-3429-010	1	Spindle assembly (165a-v)
165a	0026-5845-170	1	Securing ring DIN 472 - 120x4
165b	0011-0311-350	1	Cylindrical roller bearing DIN 5412 - N 311 M-C3
165c	3287-3131-010	1	Bearing housing
165d	3287-3422-000	1	Suction pipe
165f	0007-2924-750	1	Gasket 17.3/2.4
165g	0013-0004-090	1	Grooved nut DIN 1804 - M 52x1.5
165h	0026-1623-000	1	Tab washer DIN 462 - 52
165k	3287-3356-000	1	Distance sleeve
165m	0011-7312-100	2	Angular contact ball bearing DIN 628 - 7312 BEG-M-P6
165n	3287-3526-000	1	Oil guide ring
165p	3287-3410-000	1	Spindle
165r	0007-2643-750	2	Gasket 122/3
165s	0008-7517-010	1	Neck bearing cover
165t	0019-6144-150	4	Allen screw DIN 912 - M 10x25 - 8.8
165u	0008-7501-500	1	Spindle cap
165v	0019-8974-400	1	Threaded pin DIN 914 - AM 8x16
167	0021-3147-770	12	** Rubber-metal cushion M 10x40x30
168	0013-0279-150	12	Hexagon nut DIN 934 - M10 - 8
169	0005-0964-000	2	Proximity switch
170	0013-3008-310	2	Nut M 14x1
171	3287-1219-010	1	Operating-water feeding device
172	0019-6540-150	4	Hex head screw DIN 931 - M 12x70 - 8.8

**** Important:** Use only rubber-metal bushes or cushions from Westfalia Separator, which ensure a smooth run of the separator.

Available drive parts

Bowl speed	Flat belt (motor) No. in fig.: 18 Fig. 13	Flat belt (spindle) No. in fig.: 159 Fig. 15	Flat belt No. in fig.: 160 Fig. 15
4,800 rpm	Motor speed = 2,925 rpm (50 Hz) 3287-3475-010		3287-3474-000 0021-3474-890
4,800 rpm	Motor speed = 1,745 rpm (60 Hz) 3287-3475-020		3287-3474-000 0021-3476-890



Hutchison-Hayes Separators, Inc.

This is a Spacer Page

P.O. Box 2965 ♦ Houston, Texas 77252
3520 East Belt ♦ Houston, Texas 77015
(713) 455-9600 ♦ Fax (713) 455-7753

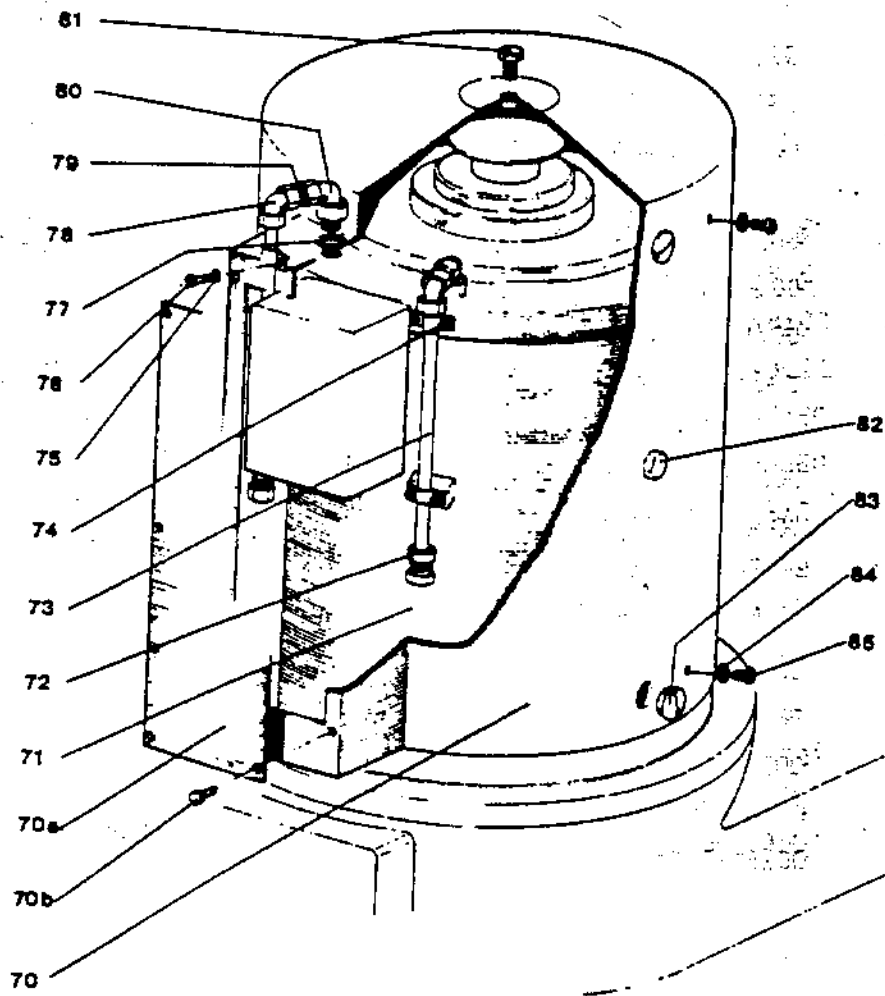


Fig. 14

Motor with cover

No. in Fig.	Part - No.	Qty.		Part Description
-	5970-0385-040	1		Motor with cover (70-85)
70	3287-1262-030	1		Cover
70a	3287-1453-070	1	*	Plate
70b	0019-6900-400	6	*	Hex head screw DIN 933 - M 8x12
71		1		Motor
72	0018-3441-030	2	**	Straight screw coupling DIN 2353 - F1 12
73	0018-0031-400	2	**	Pipe 12x12x810
74	0018-1281-300	4	**	Clamp 12
75	0026-1324-190	8	**	Lock washer DIN 127 - A6
76	0019-6105-150	8	**	Allen screw DIN 912 - M 6x12 - 8.8
77	0007-1919-550	2	**	Gasket DIN 7603 - A 21x26
78	0018-3308-400	2	**	Angular screw coupling DIN 2353 - K1 12
79	0018-0572-400	2	**	Pipe 12x1x50
80	0018-3257-400	2	**	Angular screw coupling DIN 2353 - G1 12
81	0019-6929-400	1		Hex head screw DIN 933 - M 10x10
82	0019-7170-300	2		Hex head screw DIN 933 - M 24x20
83	0005-0225-630	2		Plug DIN 46320 - Pg 16
84	0026-1345-300	6		Washer DIN 125 - 8.4
85	0019-6900-400	6		Hex head screw DIN 933 - M 8x12

* This part is included in pos. 70, but it is also available as separate item.

** This part is included in pos. 71, but it is also available as separate item.

Solenoid valve

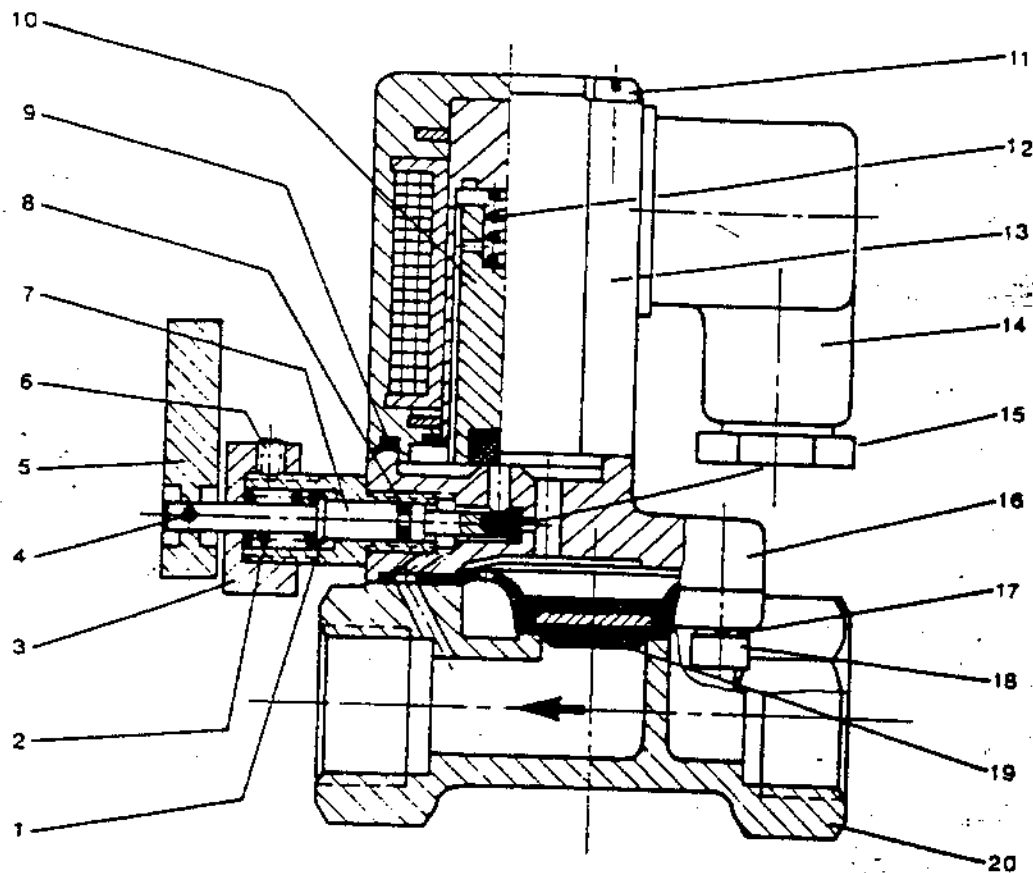
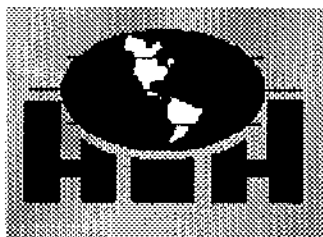


Fig. 16/2

No.in Fig.	Part - Number	Qty.	Part Description
-	0018-3711-610	1	Solenoid valve assembly R 3/8" (1-20)
1	0018-3710-000	1	Ring
2	0006-4084-170	1	Pressure spring
3	0018-3710-010	1	Screw part
4	0026-1557-300	1	Cylindrical notched pin 2x14
5	0018-3710-020	1	Lever
6	0019-3950-400	1	Threaded pin DIN 438 - M 4x4
7	0018-3710-030	1	Valve spindle
8	0007-1910-750	1	Gasket 4x1
9	0007-1946-750	1	Gasket 25x1.5
10	0018-3710-040	1	Solenoid core
11	0019-2387-030	4	Fillister head screw DIN 84 - M 4x55 - 4.8
12	0006-4079-160	1	Pressure spring
13	0018-3710-800	1	Solenoid head, complete 50/60 Hz
14	0018-3710-050	1	Coupler socket
15	0018-3710-060	1	Plug 4D 612
16	0018-3710-070	1	Valve housing cover
17	0026-1322-170	6	Lock washer DIN 127 - A4
18	0019-6077-400	6	Allen screw DIN 912 - M 4x10
19	0018-3711-750	1	Diaphragm
20	0018-3711-080	1	Valve housing



Hutchison-Hayes Separators, Inc.

This is a Spacer Page

P.O. Box 2965 ♦ Houston, Texas 77252
3520 East Belt ♦ Houston, Texas 77015
(713) 455-9600 ♦ Fax (713) 455-7753

OPERATING WATER CONNECTION

No. in Fig.	Part - No.	Qty.	Part description
-	1165-2350-000	1	Pressure switch, complete (47-48)
47	0018-1870-000	1	Low-pressure hose
47a	0018-3465-400	1	* Screw connection DIN 2353 - DL 8 - R 1/4"
47b	0018-3560-400	1	* Screw connection DL 8 R 3/8"
48	0005-0675-900	1	Pressure switch F 5

* This part is included in item 47, but it is also available as separate item.

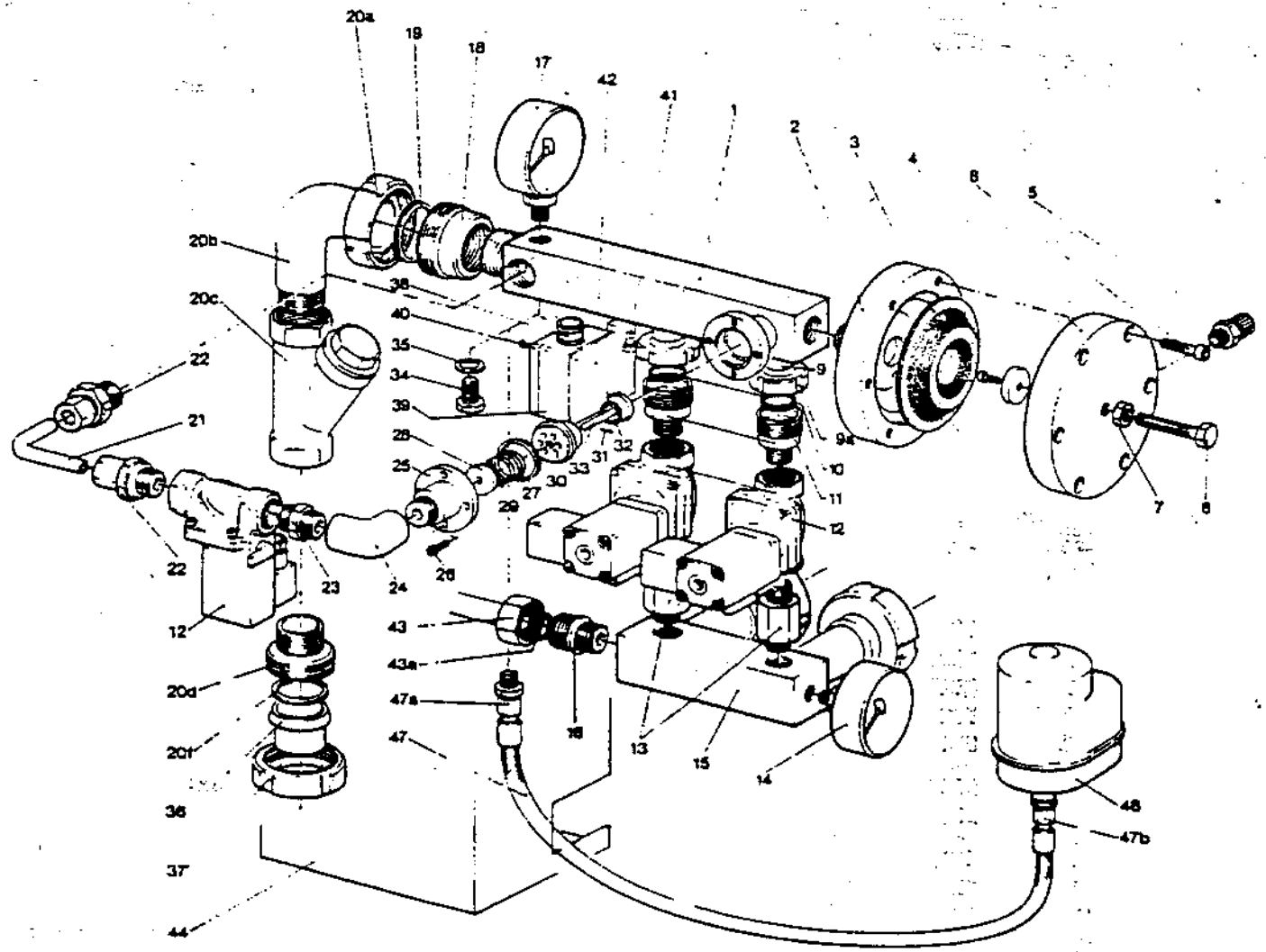


Fig. 16/1

Operating - water Connection

No. in Fig.	Part - No.	Qty.	Part description
-	8134-2100-700	1	Operating-water connection with protecting case (1-44)
-	8134-2120-320	1	Operating-water connection, complete (1-35)
1	8134-2195-090	1	Connection piece
2	8134-2311-090	1	Housing
3	0004-2313-750	1	Diaphragm
4	8134-2354-010	1	Cover
5	0018-3725-600	1	Hose connection R 1/4"
6	8134-2161-000	1	Hex head screw M8
7	0013-0278-400	1	Hexagon nut DIN 934 - M8
8	0019-6108-300	6	Allen screw DIN 912 - M 6x20
9	0018-3854-300	2	Connection piece 10 / R 3/8"
9a	0013-2818-400	2	Hexagon coupling nut
10	0007-2230-750	2	Gasket 15.5/21.5x4
11	0018-4645-300	2	Threaded connection R 3/4" / R 3/8"
12	0018-3711-610	3	Solenoid valve
13	8134-2315-000	2	Double nipple
14	0001-0299-610	1	Pressure gauge DIN 19063 - 0-6 bar AR6316
15	8134-2195-100	1	Connection piece
16	0018-4645-300	1	Threaded connection R 3/4" / R 3/8"
17	0001-0298-610	1	Pressure gauge DIN 16063 - 0-6 bar AR6316
18	0018-4086-400	1	Threaded connection 25 / R 1"
19	0007-2208-750	1	Gasket DIN 11851 - 625
-	8134-2201-010	1	Pipe assembly (20a-f)
20a	0013-2842-300	1	Grooved coupling nut DIN 11851 - F25
20b	0018-1609-300	1	Bend
20c	0018-2525-640	1	Strainer
-	0018-2525-300	1	Strainer insert (for item 20c)
20d	0018-4502-400	1	Threaded connection R 3/4" / R 3/8"
20f	0007-2208-750	1	Gasket DIN 11851 - G25
21	8134-2472-060	1	Bend
22	0018-3560-400	2	Screw coupling R 3/8"
23	0018-0961-300	1	Double nipple R 3/8"
24	0018-0003-300	1	Elbow DIN 2987 - 3/8"
25	8134-2194-070	1	Connection piece
26	0019-2218-400	4	Cheese head screw DIN 84 - AM 4x10
27	0007-2501-750	1	Gasket 23/3
28	8134-2313-000	1	Disk
29	0006-4080-400	1	Cylindrical pressure spring
30	8134-2462-050	1	Sleeve
31	0026-0973-400	1	Cylindrical pin
32	0007-2923-860	1	Gasket 9.3/2.4
33	8134-2278-000	1	Cone
34	0019-0137-300	1	Hex head screw R 1/4"x12
35	0004-5268-880	1	Gasket 13/19x1.5
36	0018-3939-300	1	Cone connection DIN 11851 - D25
37	0013-2842-300	1	Grooved coupling nut DIN 11851 - F25
38	0005-0203-630	1	Cable gland DIN 46320 - C4 Pg 11x6-9
39	0005-0862-900	1	Branch box
40	0019-2376-630	2	Cheese head screw DIN 84 - M 4x16
-	0005-3358-630	1	Hose coupling Pg 9
-	0005-0222-630	1	Plug DIN 46320 - Pg 9 } for pos. 39
41	0019-2233-400	2	Cheese head screw DIN 84 - M 5x12
42	8134-2164-020	1	Angle
43	8134-2201-160	1	Pipe, complete
43a	0007-2402-750	2	Gasket 17/23x3
44	8134-2356-050	1	Protecting case

Hood

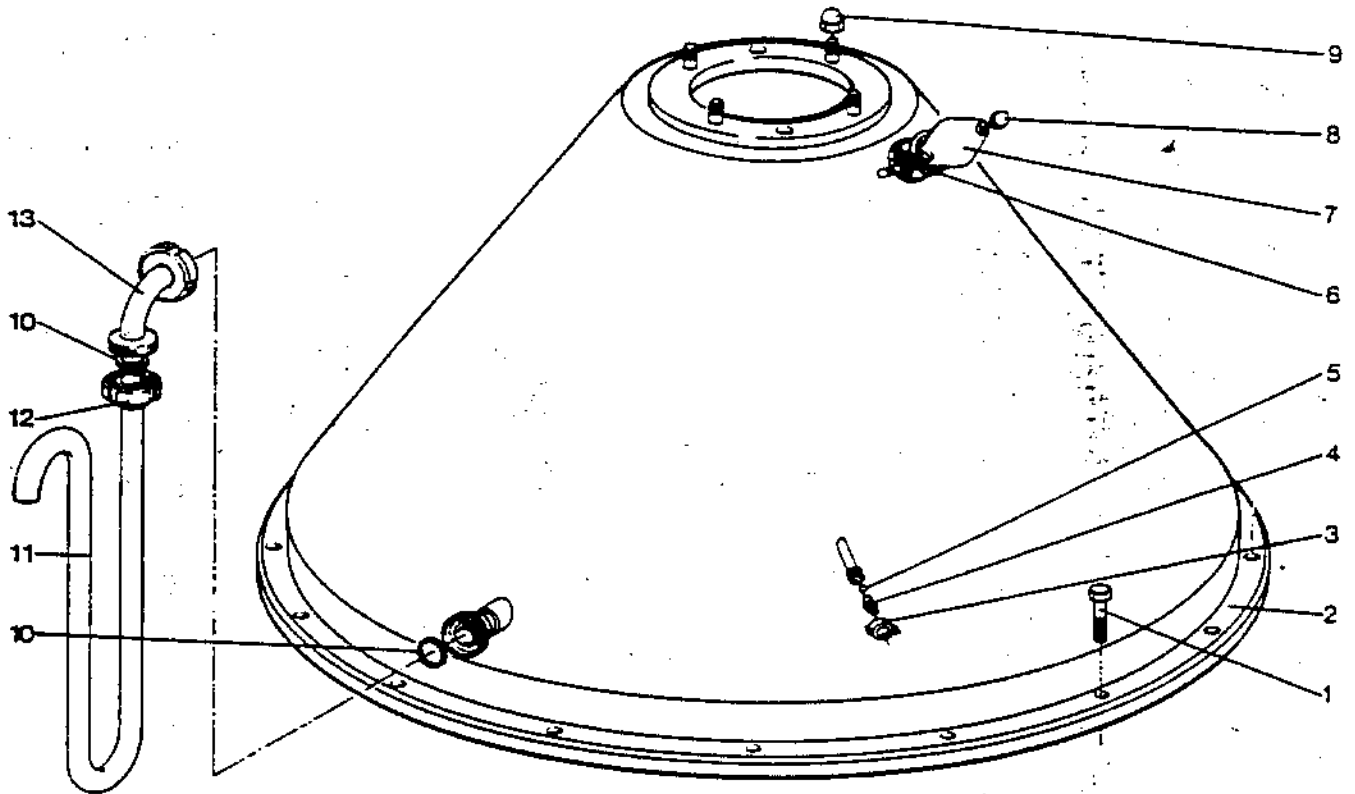
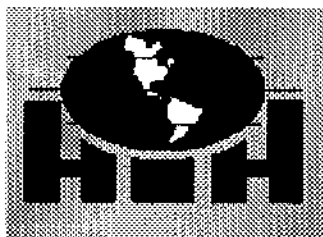


Fig. 17

No. in Fig.	Part - No.	Qty.	Part Description
1	0019-6966-400	16	Hex head screw DIN 933 - M 12x20
-	3287-7759-010	1	Hood, complete (2-13)
2	3287-7765-010	1	Hood
3	0013-2818-400	1	Hexagon coupling nut R 3/4"
4	0018-4586-300	1	Connection piece A 15
5	0007-2402-750	1	Gasket 17/23x3
6	0007-2262-750	1	Gasket 45/57x6
7	1165-1061-000	1	Inspection cover
8	0013-0405-400	2	Cap nut DIN 1587 - M10
9	0013-0406-400	4	Cap nut DIN 1587 - M12
10	0007-2208-750	2	Gasket DIN 11851 - G25
11	1165-2775-000	1	Siphon
12	0013-2842-300	1	Grooved coupling nut DIN 11851 - F25
13	0018-1618-400	1	Bend DIN 11852 - N25



Hutchison-Hayes Separators, Inc.

This is a Spacer Page

P.O. Box 2965 ♦ Houston, Texas 77252
3520 East Belt ♦ Houston, Texas 77015
(713) 455-9600 ♦ Fax (713) 455-7753

FEED AND DISCHARGE CONNECTIONS AND CENTRIFUGAL PUMP

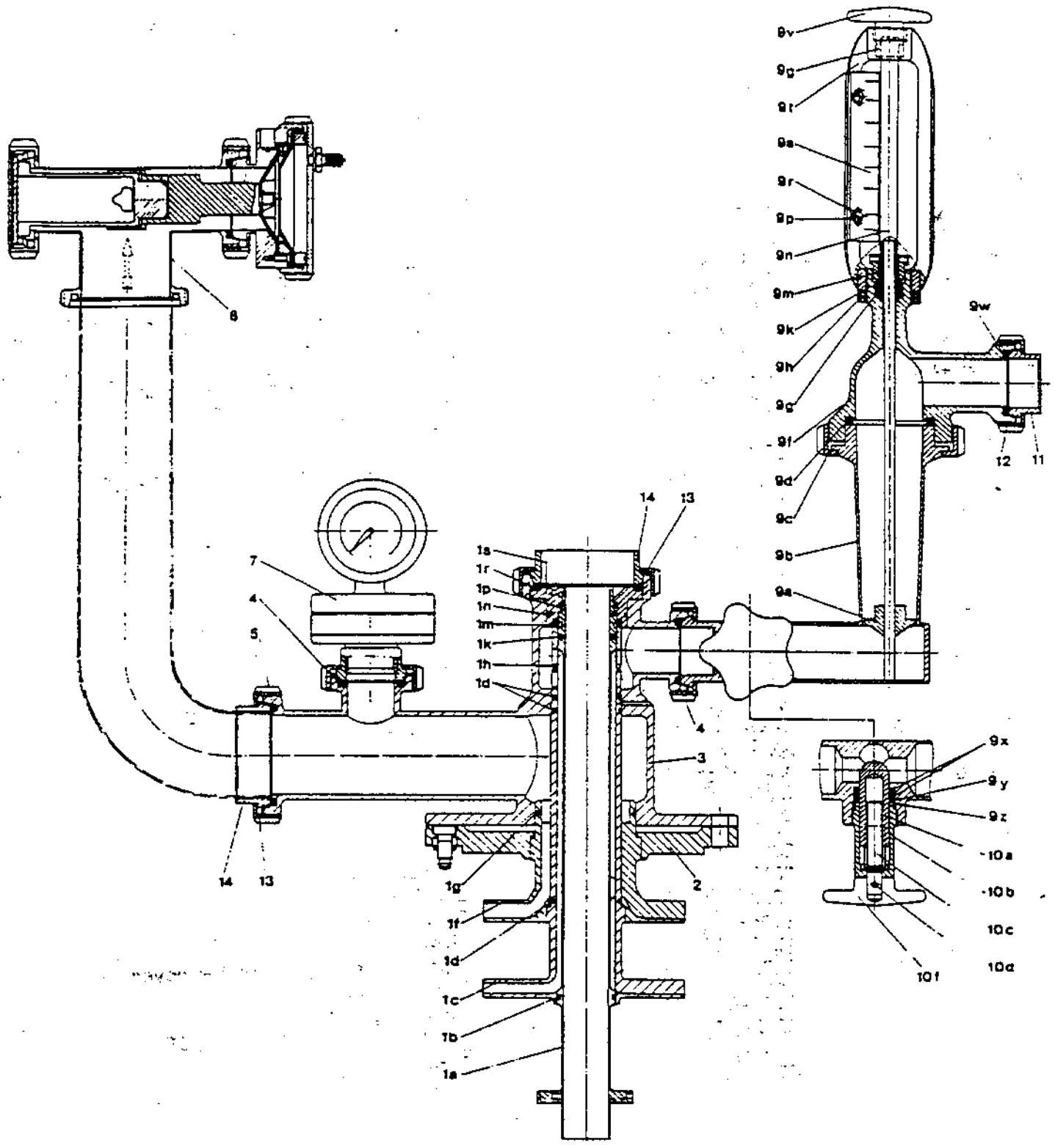


Fig. 18

No. in Fig.	Part - No.	Qty.	Part Description
-	1235-2213-010	1	Double centripetal pump, complete (1a-s)
1a	1235-2246-010	1	Feed tube
1b	0007-2925-750	1	Gasket 36,2/3
1c	1226-2241-000	1	Lower centripetal pump (up to max. 5 bar)
1d	0007-2730-750	3	Gasket 46,2/3
1f	1226-2252-000	1	Upper centripetal pump (up to max. 5 bar)
1g	0007-1945-750	1	Gasket 65/3
1h	1235-2236-000	1	Threaded ring
1k	0007-2925-750	1	Gasket 36,2/3
1m	0007-1944-750	1	Gasket 44,2/3
1n	0007-2927-750	1	Gasket 50,2/3
1p	0007-1904-750	1	Gasket 40,2/3
1r	0007-2212-750	1	Gasket DIN 11851 - G 65
1s	1235-2130-000	1	Connection piece
-	1226-2296-L	1	Feed and discharge connections, complete (2-10f)
2	1226-2217-000	1	Ring
3	1226-2301-000	1	Feed and discharge housing
4	0007-2210-750	2	Gasket DIN 11851 - G40
5	0007-2212-750	1	Gasket DIN 11851 - G65
7	8918-2100-080	1	Pressure gauge
8	see special IM	1	Constant pressure valve
-	8021-2000-150	1	Flowmeter, complete (9a-10f)
9a	8021-2012-000	1	Float
9b	8021-2001-190	1	Inlet cup
9c	0013-2846-300	1	Grooved coupling nut DIN 11851 - F65
9d	0007-2279-750	1	Gasket 56/68x6
9f	8021-2003-120	1	Outlet pipe
9g	0007-2298-750	2	Gasket 13.5/22x10
9h	0013-3010-300	1	Nut M 33x1.5
9k	0026-1375-300	1	Washer
9m	0019-1380-300	1	Threaded bush
9n	0001-0083-820	1	Cylindrical sight glass
9p	0004-5261-720	2	Gasket 4.8/9.0x1
9r	0019-2478-300	2	Cheese head screw DIN 85 - M 4x8
9s	8021-2017-000	1	Scale 700 - 4,000 l/h
9t	8020-2002-030	1	Intermediate piece
9v	0019-1732-400	1	Handle screw
9w	0007-2210-750	1	Gasket DIN 11851 - G40
9x	0007-2285-750	2	Gasket 22/32x5
9y	0026-5508-300	1	Washer
9z	0026-1445-300	1	Snap ring
-	1072-2273-020	1	Stuffing box, complete (10a-f)
10a	1072-2279-020	1	Round-slide valve
10b	1072-2284-000	1	Stuffing box housing
10c	0019-1590-610	1	Threaded bolt
10d	0026-1062-400	1	Cylindrical pin
10f	0021-3096-300	1	Handle
11	0018-3949-300	1	Cone connection DIN 11851 - D40
12	0013-2844-300	1	Grooved coupling nut DIN 11851 - F40
13	0013-2846-300	2	Grooved coupling nut DIN 11851 - F65
14	0018-4261-300	2	Cone connection DIN 11851 - D65

Flow Constrictor

Maximum throughput rate: 35,000 l/h

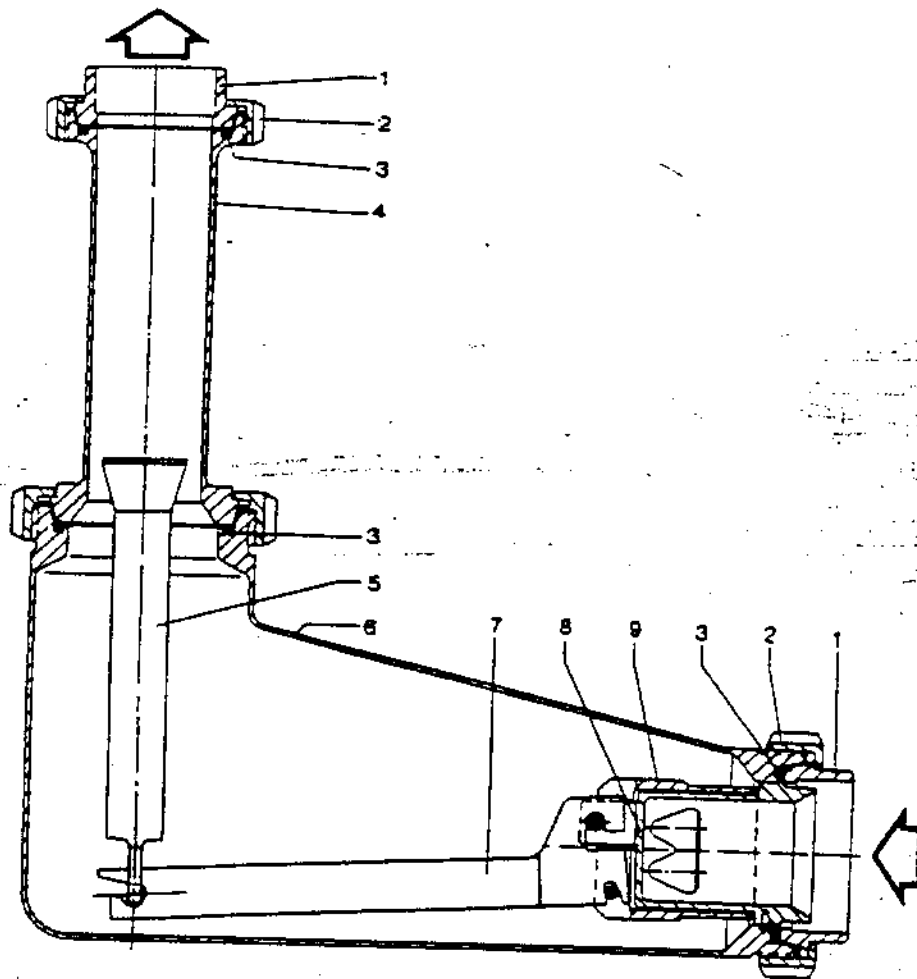
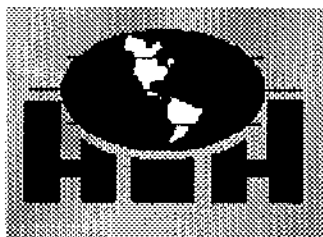


Fig. 22

NOTE: Be sure to install the flow constrictor in such a manner that the inlet is fitted to a horizontal pipe section (direction of arrow) and the control tube 4 is directed vertically upwards.

No. in Fig.	Part - No.	Qty.	Part Description
-	8252-2350-010	1	Flow constrictor, complete (1-9)
1	0018-1319-300	2	Reducing cone connection 90 - 65
2	0013-2847-300	2	Grooved coupling nut DIN 11851 - F90
3	0007-2513-750	3	Gasket DIN 11851 - G90
4	-	1	* Control tube
5	-	1	* Float
6	-	1	* Housing
7	-	1	* Throttling lever
8	-	1	* Throttling housing
9	-	1	* Regulating piece

* This part can only be replaced by one of our factory engineers or by a special repair shop authorized by us, because its replacement requires re-adjustment of the flow constrictor. Therefore, when ordering this part, the flow constrictor must be returned to the factory.



Hutchison-Hayes Separators, Inc.

This is a Spacer Page

P.O. Box 2965 ♦ Houston, Texas 77252
3520 East Belt ♦ Houston, Texas 77015
(713) 455-9600 ♦ Fax (713) 455-7753

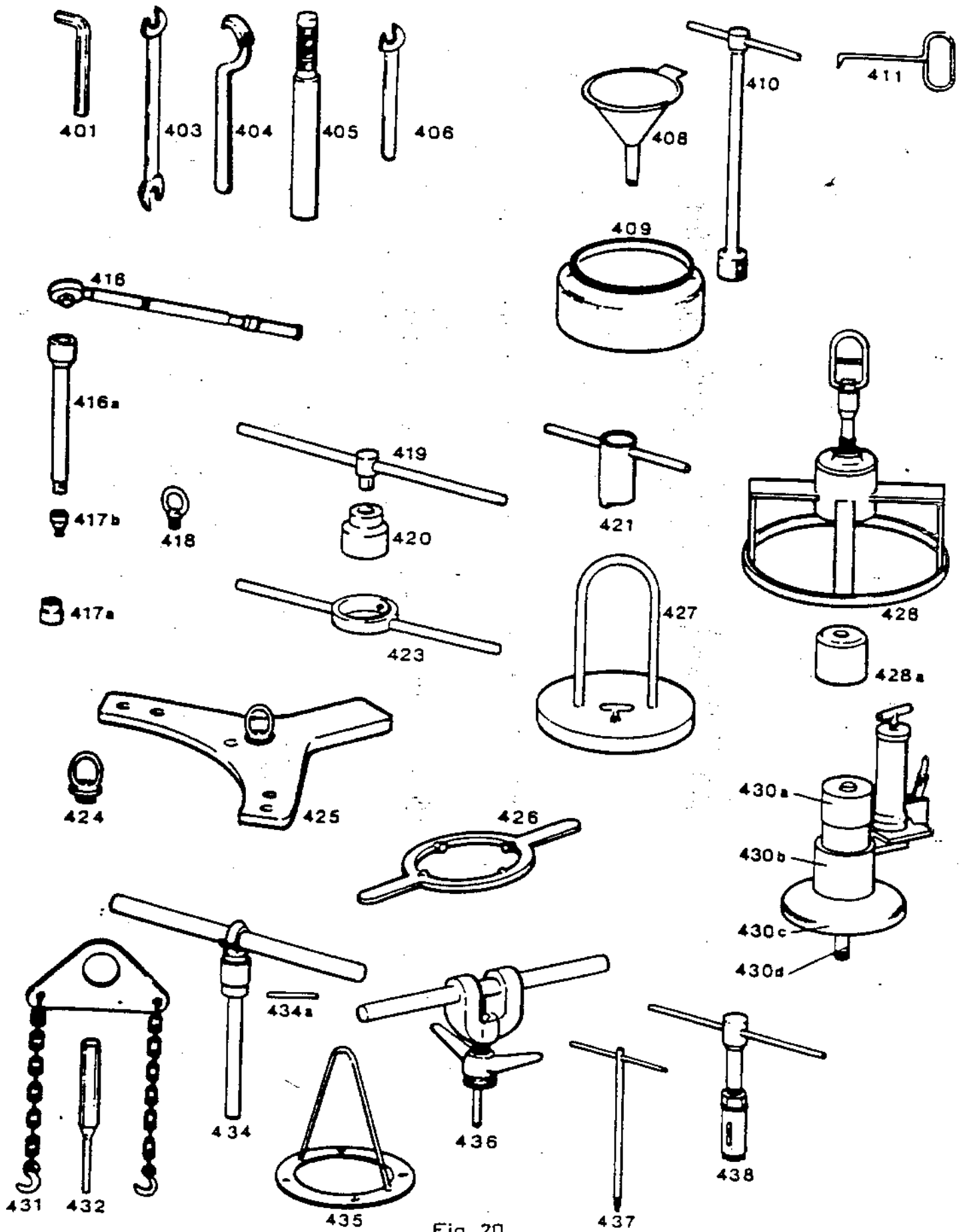


Fig. 20

Tools and accessories

All the parts mentioned in the packing list furnished with the separator should be found in the packing case.

No. in Fig.	Part - No.	Qty.	Part Description
401	0003-3774-320	1	Allen wrench DIN 911 - 4
-	0003-3775-320	1	Allen wrench DIN 911 - 5
-	0003-3776-320	1	Allen wrench DIN 911 - 6
-	0003-3777-320	1	Allen wrench DIN 911 - 8
-	0003-3791-320	1	Allen wrench DIN 6911 - 8
-	0003-3780-320	1	Allen wrench DIN 911 - 14
403	0003-4202-320	1	Double-ended wrench DIN 3110 - 10x13
-	0003-4205-320	1	Double-ended wrench DIN 3110 - 17x19
-	0003-4209-320	1	Double-ended wrench DIN 3110 - 24x30
-	0003-4222-320	1	Double-ended wrench DIN 3110 - 36x41
404	0003-3846-000	1	Pivoted hook wrench 90/155
-	0003-3845-000	1	Pivoted hook wrench 60/90
405	0003-0200-000	1	Mallet
406	0003-0085-320	1	Single-ended wrench DIN 894 - 65
408	0003-0168-890	1	Funnel
409	0003-0277-800	1	Oil cup
410	0003-0101-030	1	Socket wrench 17 (for spindle screw)
411	0003-0156-000	1	Hook (for gaskets in bowl bottom)
416	0003-0590-000	1	Torque wrench 20 - 150 Nm
416a	0003-0615-000	1	Extension DIN 3123 - B 12.7x250
417a	0003-0601-320	1	Socket 8
417b	0003-0581-320	1	Insert DIN 3124 - 22x12.7
-	0003-0579-320	1	Insert DIN 3124 - 17x12.7
418	1231-9862-000	1	Lifting device for spindle
419	0003-0095-320	1	Tommy bar DIN 3122 - A20
420	0003-0094-320	1	Insert DIN 3124 - 60x20
421	0003-3954-100	1	Wrench (for centripetal pump)
423	0003-0113-030	1	Wrench (for feed tube)
424	0019-5384-050	1	Eye bolt DIN 580 - M16
425	0003-0097-000	1	Wrench (for large lock ring)
426	0003-4002-000	1	Annular wrench (for small lock ring)
427	1166-9840-000	1	Lifting device (for bowl top)
428	1226-9960-000	1	Lifting device (for sliding piston)
428a	1226-9935-000	1	Pressure piece (included in pos. 428)
430	1235-9820-000	1	Disc stack compressing device (430a-d)
430a	1235-9851-000	1	Threaded ring
430b	1226-9770-000	1	Hydraulic unit
430c	1226-9939-000	1	Disk
430d	1235-9877-000	1	Bolt
431	0003-0065-030	1	Lifting device (for annular wrench and lock ring)
432	1226-9869-000	1	Split pin 5
-	0003-0574-000	1	Split pin DIN 6450 - C4
434	1226-9970-000	1	Lifting device
434a	0026-1599-300	1	Cylindrical pin 10x64
435	1175-9839-000	1	Lifting device (for hood)
436	1235-9930-000	1	Jack (for bowl bottom)
437	0003-3727-030	1	Wrench (for valve piston)
438	1165-9895-010	1	Wrench (for bowl valve)
-	0015-0001-080	6	Can containing 2 1/2 l of lubricating oil CLP 46
-	0015-0113-010	2	Tube of special grease (for bowl thread)
-	0015-0121-000	1	0.85 kg - can of ball and roller bearing grease DIN 51825 K3k

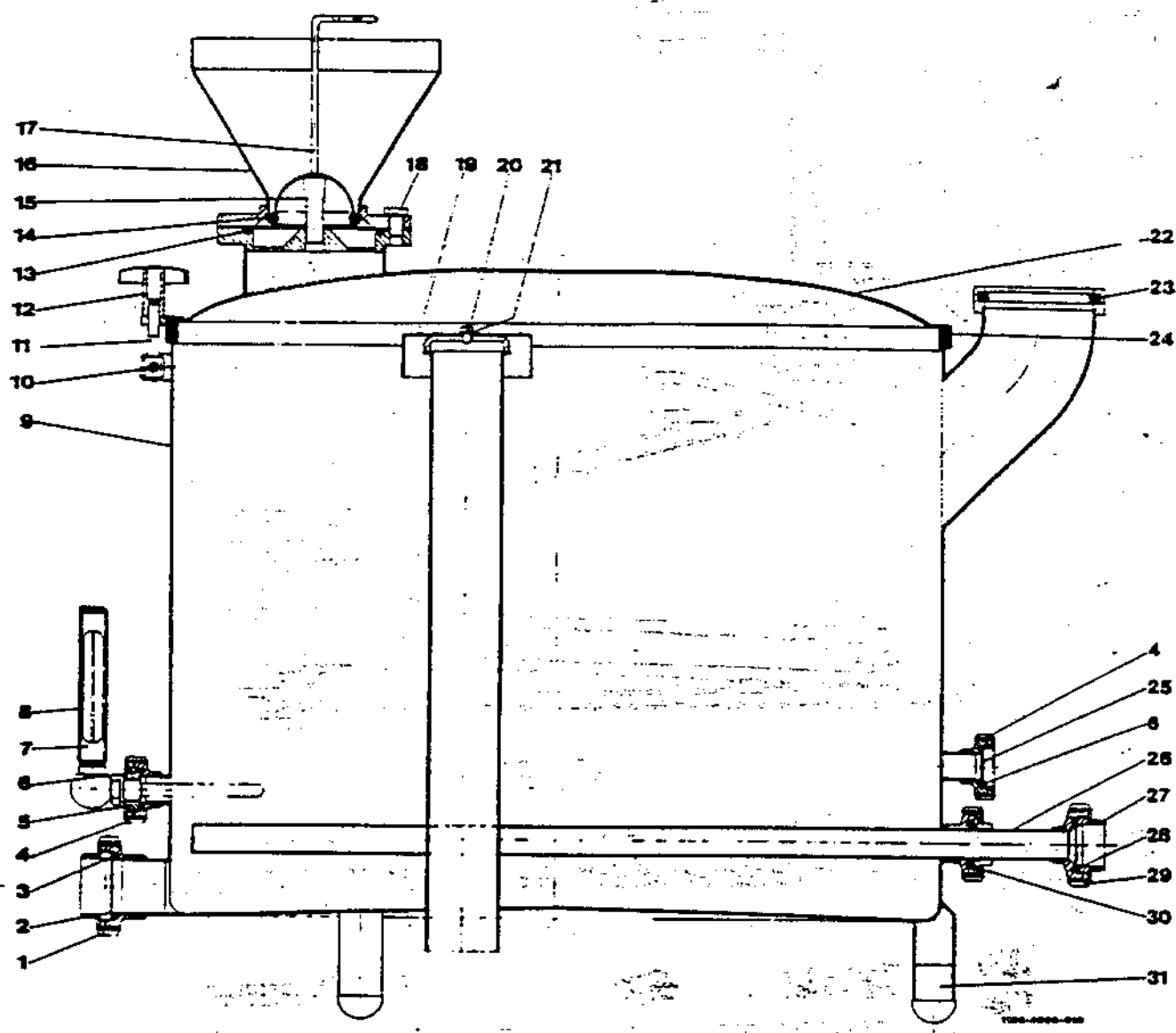


Fig. 21

Sterilizing Tank

(on special order)

No.in Fig.	Part - No.	Qty.	Part Description
-	1165-9200-040	1	Sterilizing tank assembly (1-31)
1	0013-2845-300	1	Grooved coupling nut DIN 11851 - F50
2	0018-3955-300	1	Cone connection DIN 11851 - D50
3	0007-2211-750	1	Gasket DIN 11851 - G50
4	0013-2842-300	2	Grooved coupling nut DIN 11851 - F25
5	0018-4269-400	1	Cone connection R 1/2"
6	0007-2208-750	2	Gasket DIN 11851 - G25
7	0001-0675-400	1	Angle thermometer
8	1165-9462-000	1	Bush
9	1165-9210-030	1	Sterilizing tank
10	0026-1102-400	6	Cylindrical pin
11	0019-1363-300	6	Hinge screw
12	0021-3128-300	6	Handle screw
13	0007-2121-750	1	Gasket 118/130x7
14	0007-2483-750	1	Gasket 65/10
15	0006-4365-300	1	Cylindrical pressure spring
16	1169-9698-000	1	Funnel
17	1165-9277-000	1	Cap
18	0019-6966-400	3	Hex head screw DIN 933 - M 12x20
19	0026-2108-400	1	Cap
20	0019-2507-300	1	Lens head screw DIN 85 - M 6x10
21	0026-1324-300	1	Lock washer DIN 127 - B6
22	1165-9208-020	1	Cover
23	0007-2309-750	1	Gasket 92/112x10
24	0004-2364-758	1	Packing cord 8x8x2200
25	0001-0261-300	1	Blind cap
26	1165-9205-000	1	Flush pipe
27	0018-3949-300	1	Cone connection DIN 11851 - D40
28	0007-2210-750	1	Gasket DIN 11851 - G40
29	0013-2844-300	1	Grooved coupling nut DIN 11851 - F40
30	0007-2209-750	1	Gasket DIN 11851 - G32
31	0021-3155-700	3	Foot