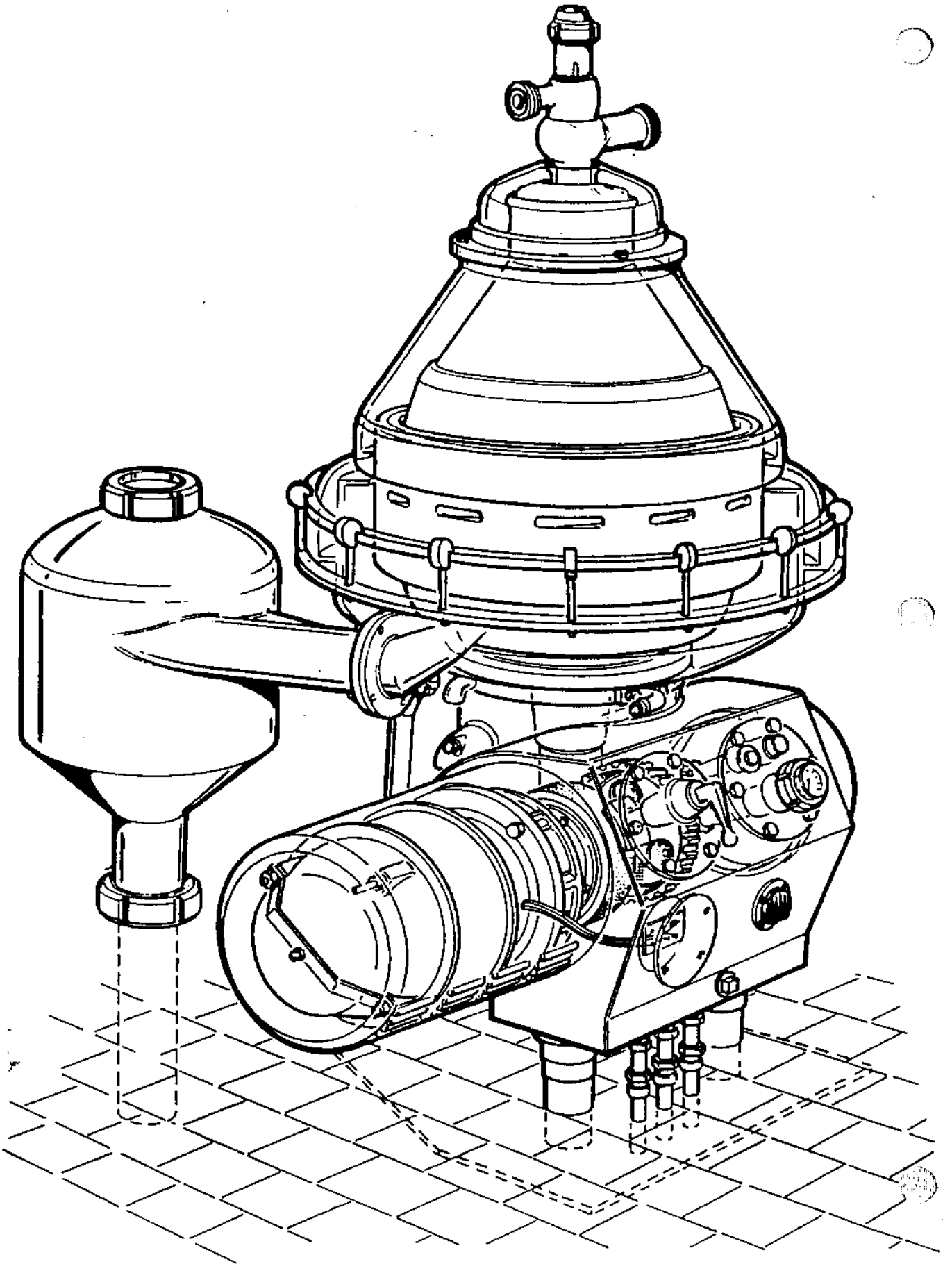


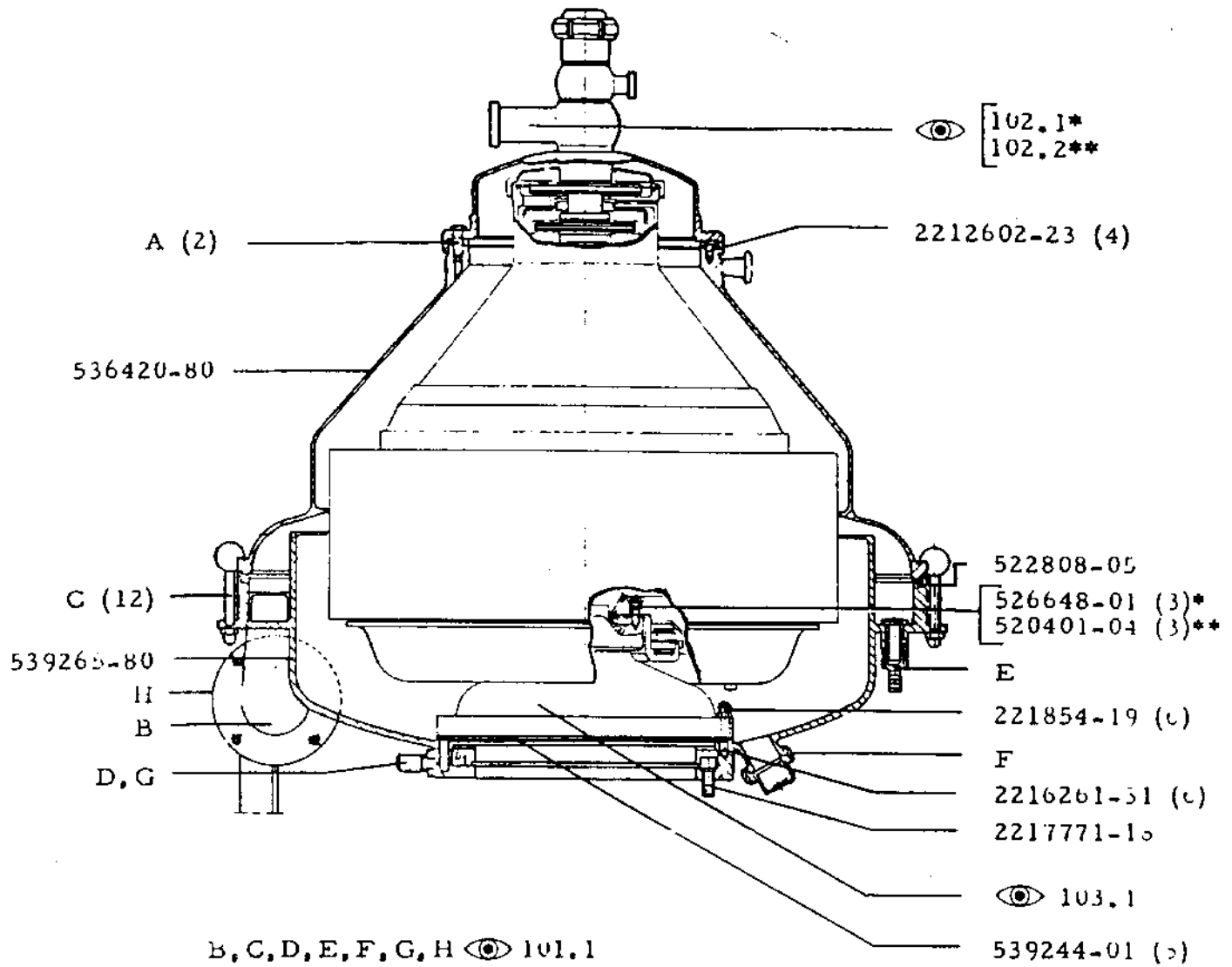
## **Hutchison-Hayes Separators, Inc.**

### **Model MRPX 418TGV-74C Parts List With Diagrams**

**P.O. Box 2965 ♦ Houston, Texas 77252**  
**3520 East Belt ♦ Houston, Texas 77015**  
**(713) 455-9600 ♦ Fax (713) 455-7753**

**ALFA-LAVAL**



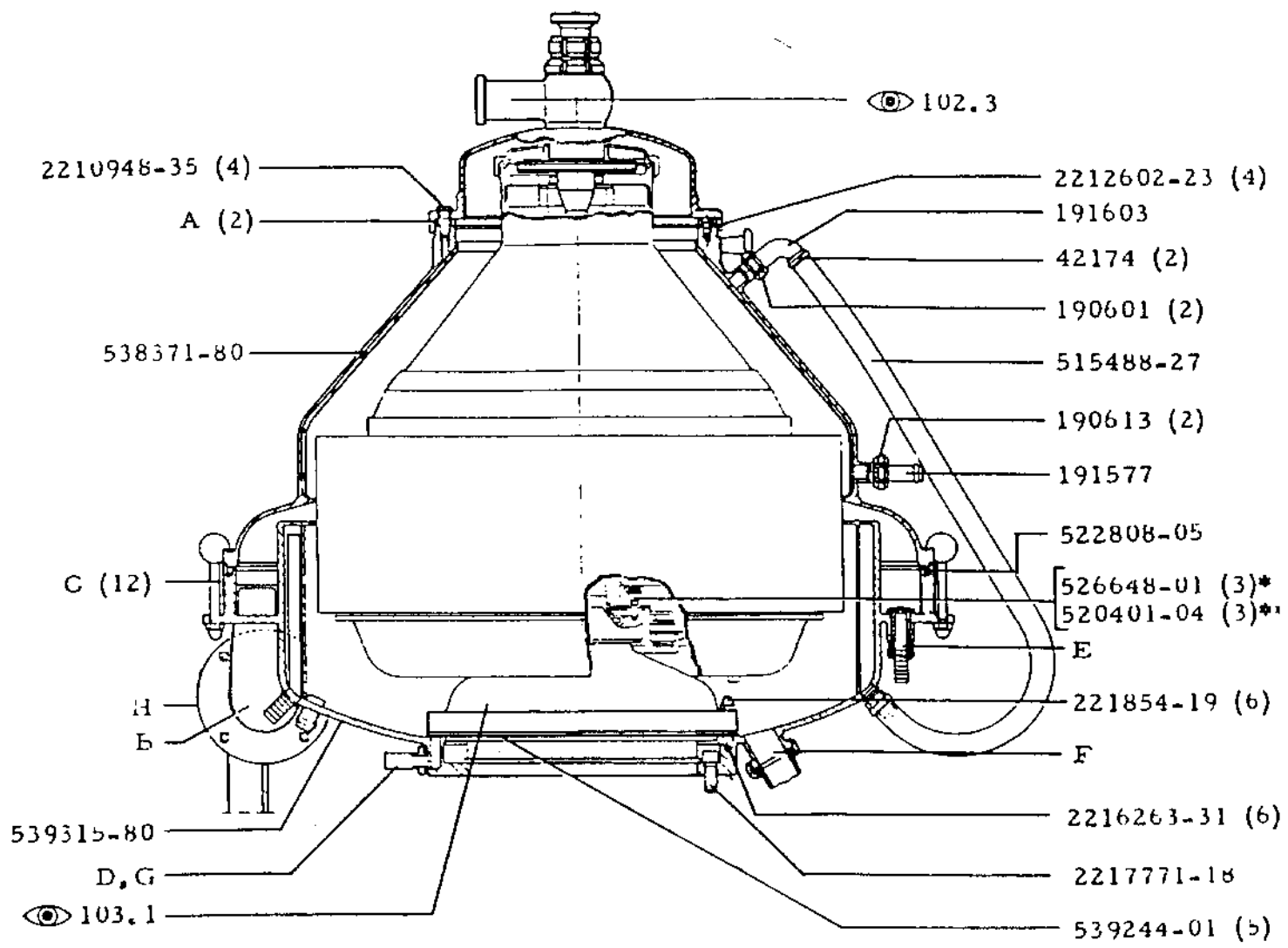


	Machine Unit No
*	538420-84/85/86/87
**	538420-88/89/90/91

mm	A
7	536423-01
8,5	536423-02
10	536423-03
11,5	536423-04
13	536423-05

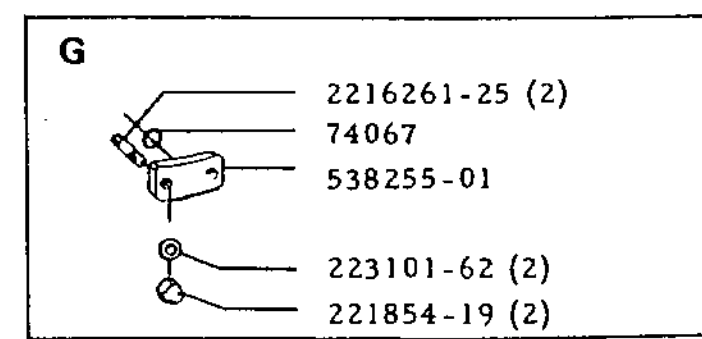
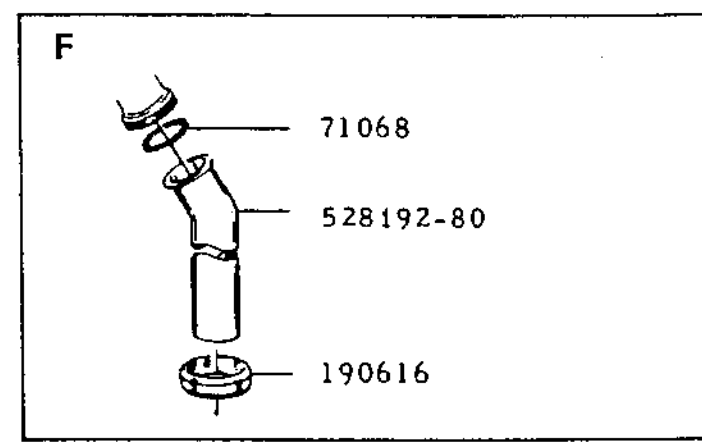
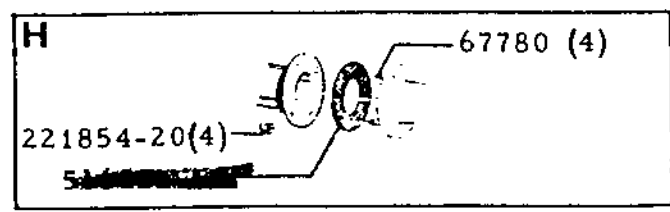
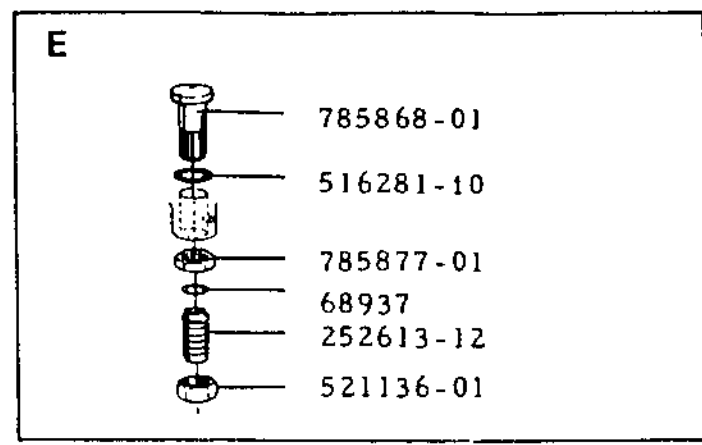
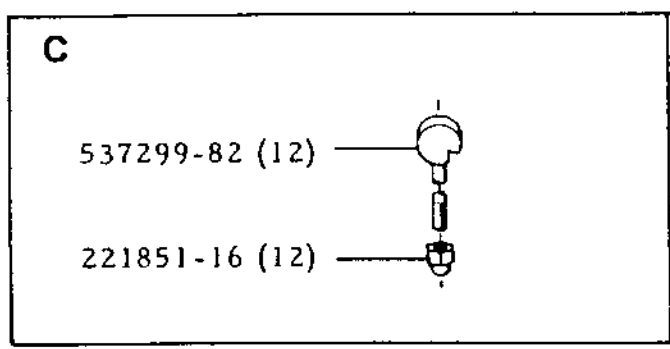
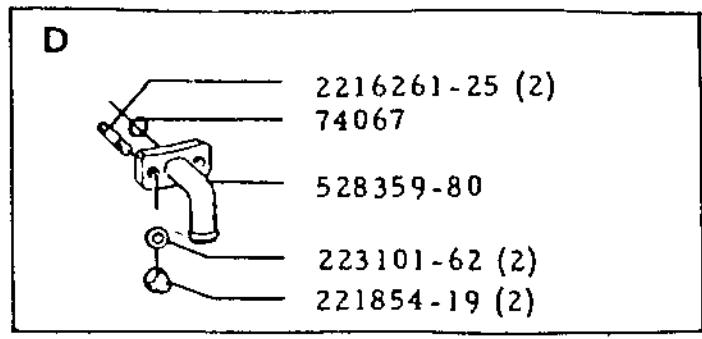
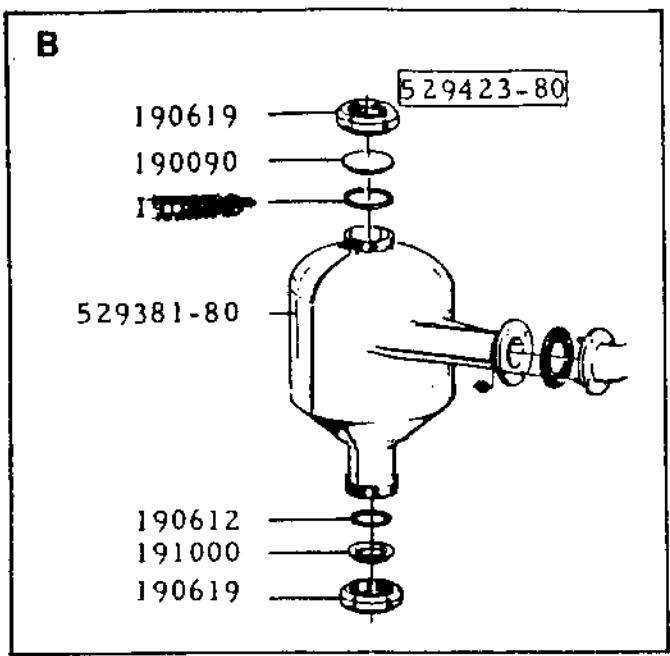
Description  
Machine top part

Issue  
1/80



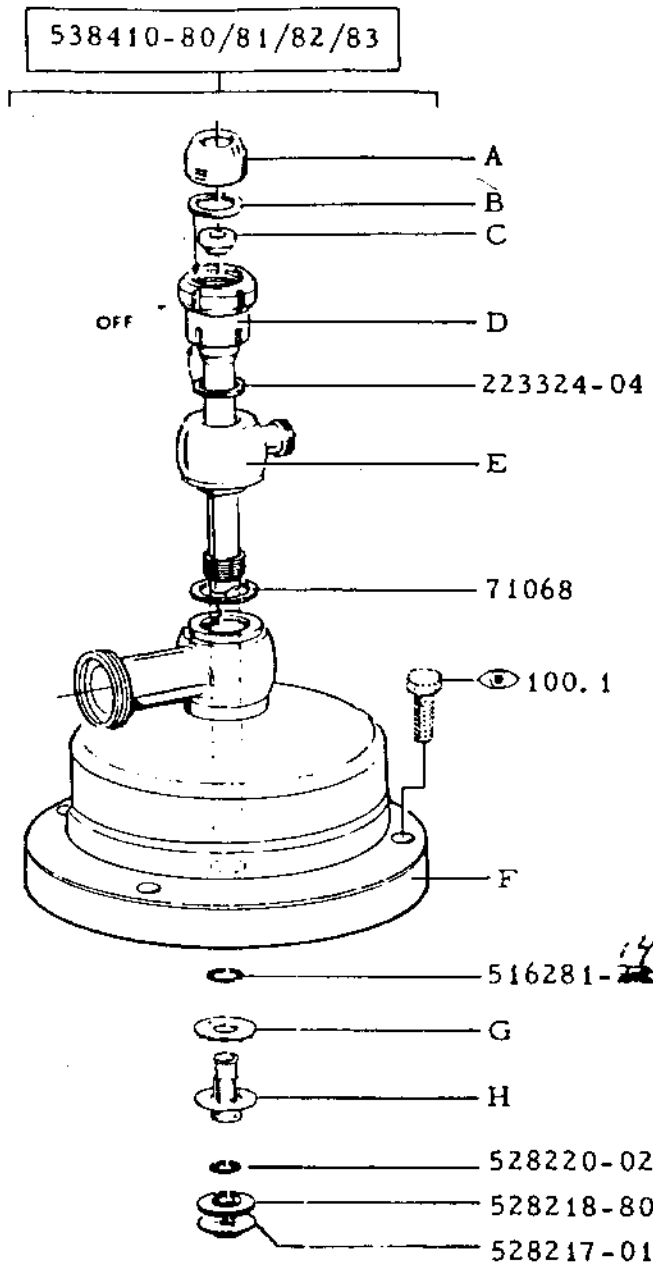
	Machine Unit No
*	538440-81
**	538440-82

mm	A
7	536423-01
8,5	536423-02
10	536423-03
11,5	536423-04
13	536423-05



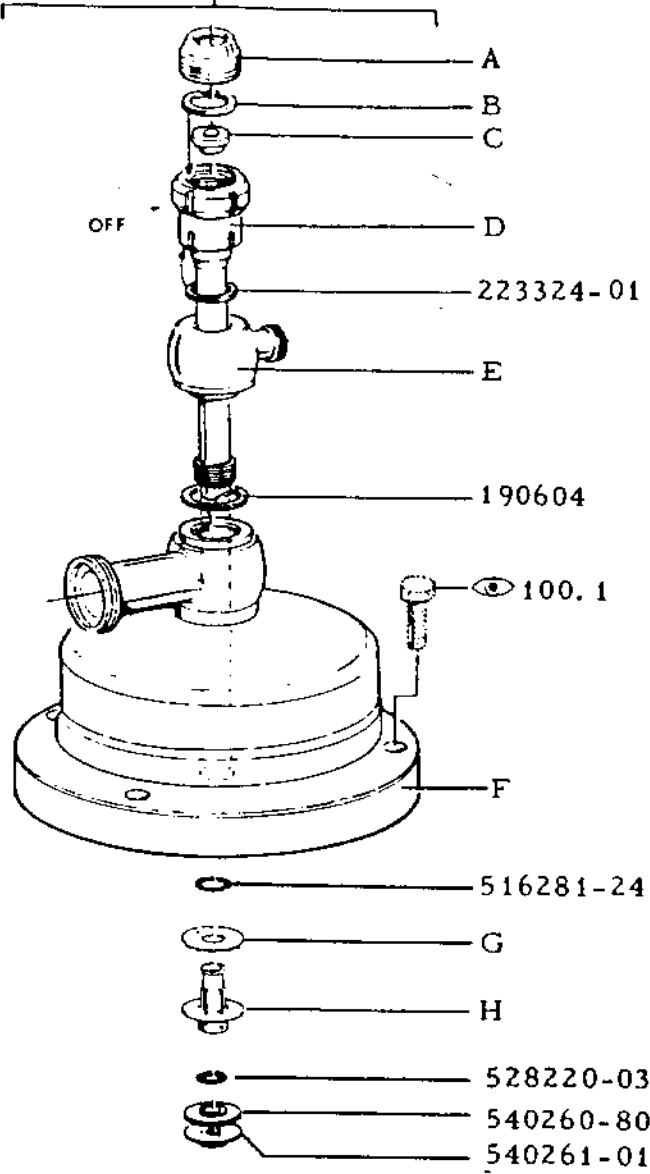
Description  
Feed and discharge assembly

Issue  
1/80

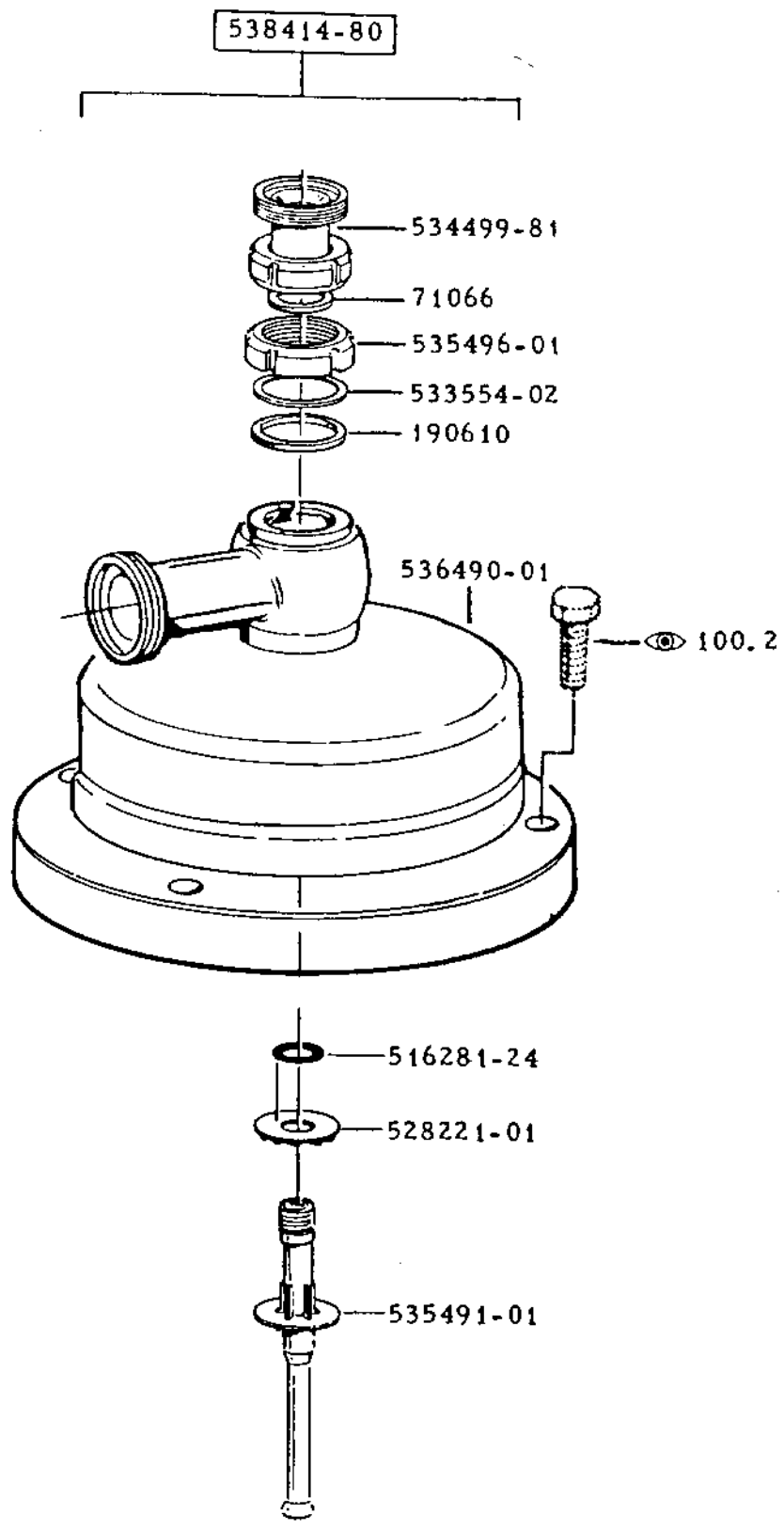


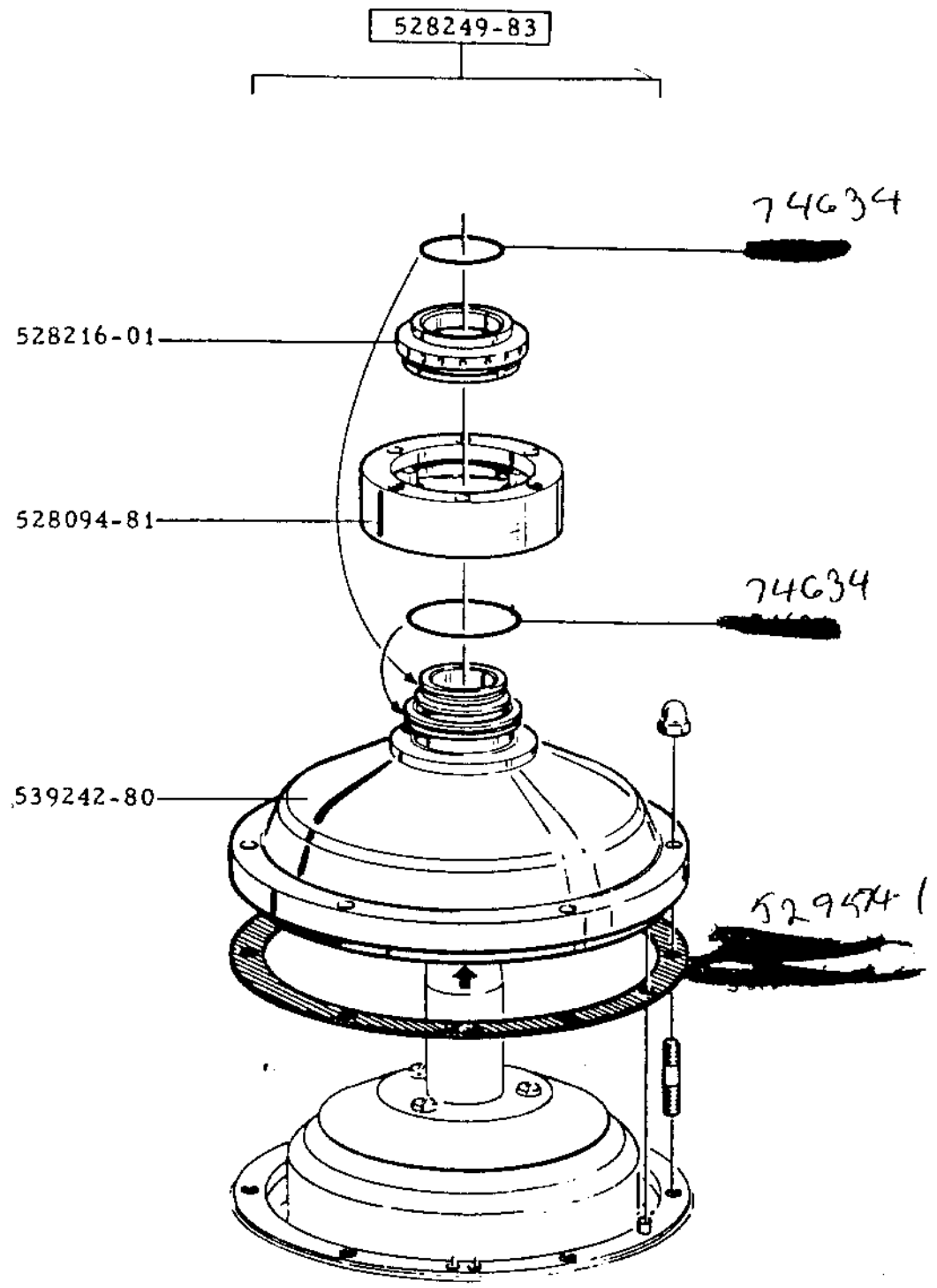
Machine Unit No.	A	B	C	D	E
538420-84	190161	190605	535831-01	536491-80	538476-81
538420-85	190645	190610	535831-01	536491-80	538476-80
538420-86	-	-	-	538457-01	535288-81
538420-87	-	-	535831-01	538456-01	535288-81
Machine Unit No.	F	G	H		
538420-84	536486-80	528221-01	528229-01		
538420-85	536485-80	528221-01	528229-01		
538420-86	536486-81	528221-03	528229-02		
538420-87	536485-81	528221-03	528229-02		

540317-01/02/03/04



Machine Unit No.	A	B	C	D	E
538420-88	190161	190605	535831-01	540265-80	538475-83
538420-89	190645	190610	535831-01	540265-80	538476-82
538420-90	-	-	-	538457-02	535288-83
538420-91	-	-	535831-01	538456-02	535288-83
Machine Unit No.	F	G	H		
538420-88	536486-80	528221-01	540262-01		
538420-89	536485-80	528221-01	540262-01		
538420-90	536486-81	528221-03	540262-02		
538420-91	536485-81	528221-03	540262-02		

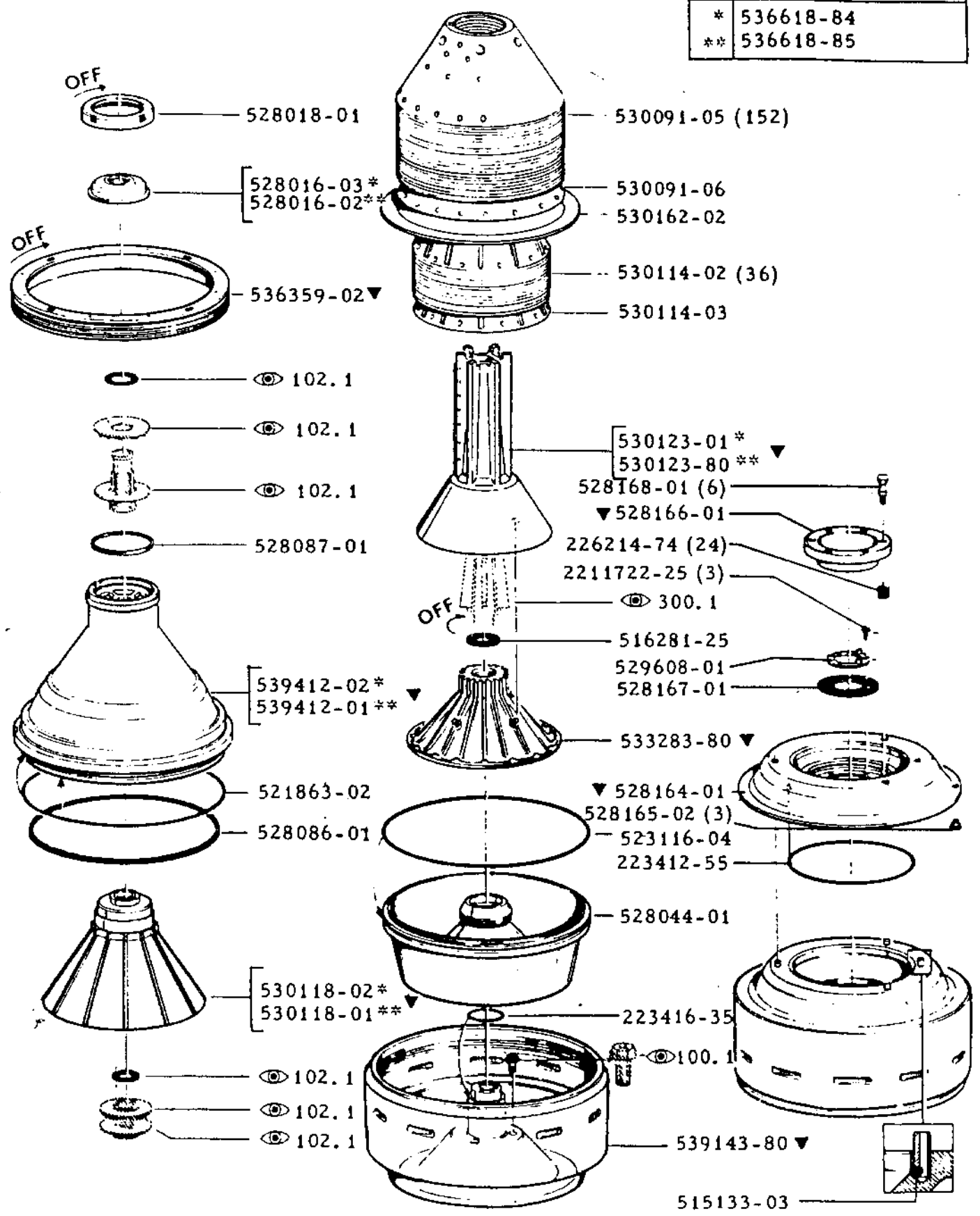




Description  
Separator bowl

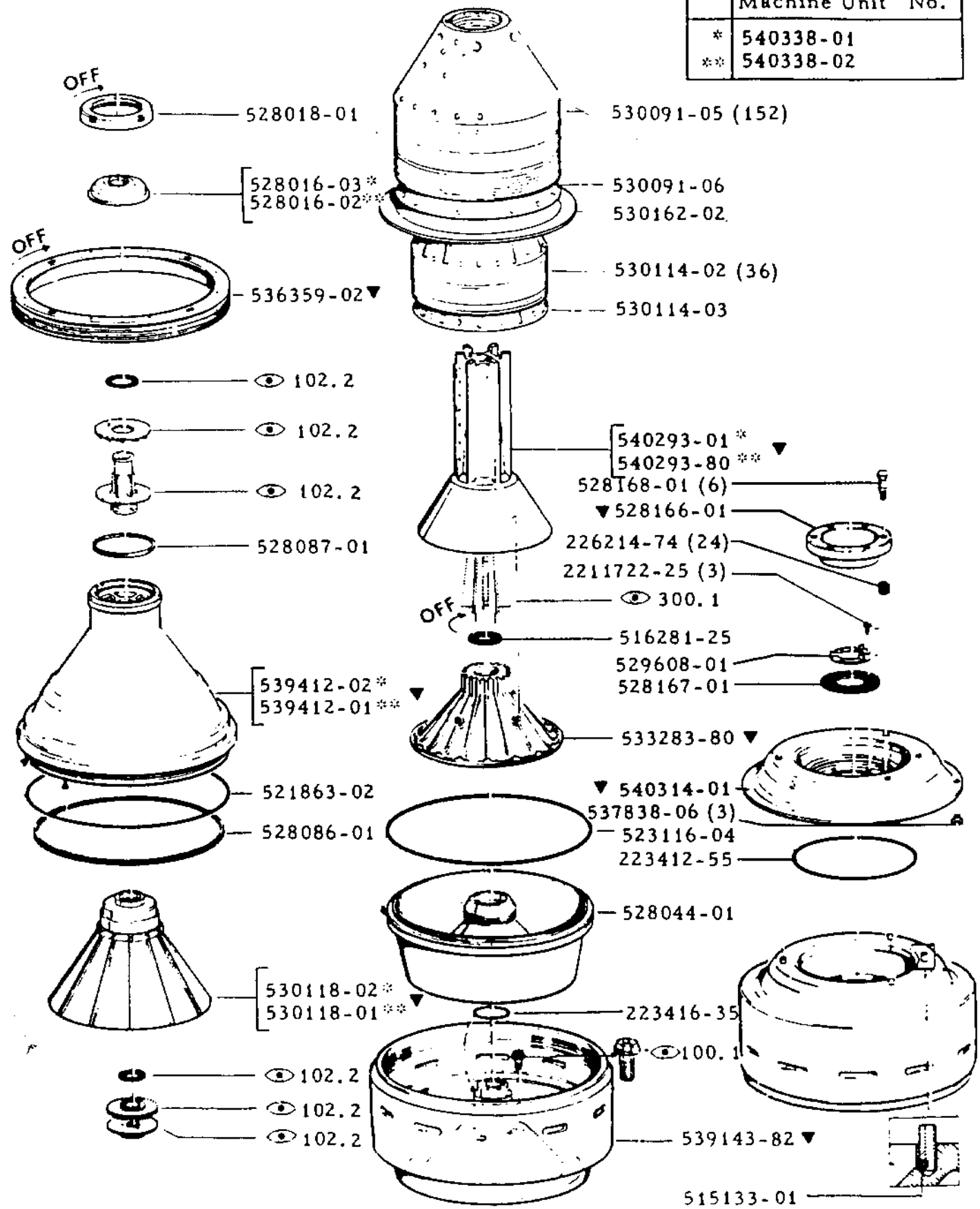
Issue  
1/80

	Machine Unit No.
*	536618-84
**	536618-85

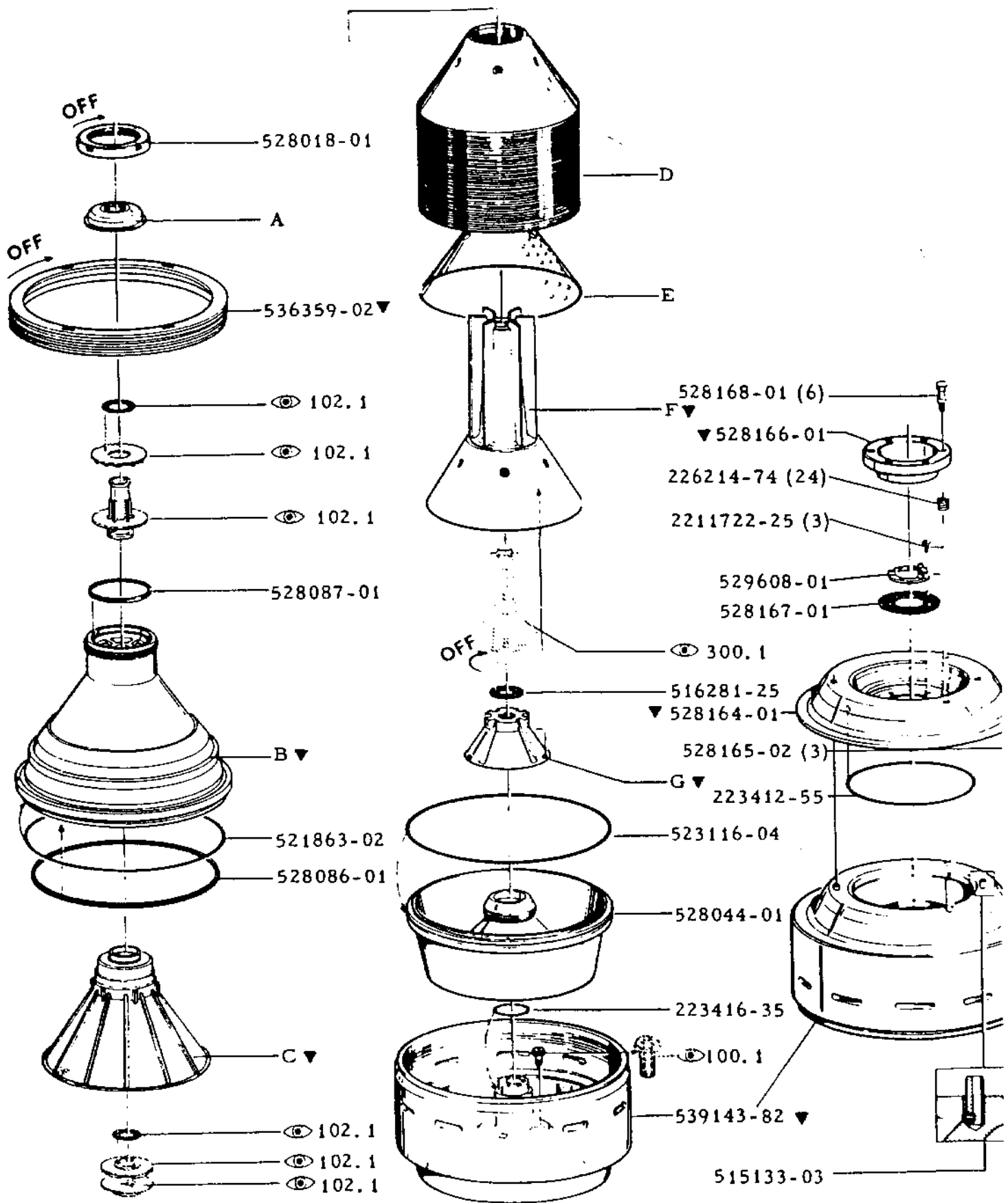


▼ Exchange necessitates rebalancing - send the complete bowl to an authorized ALFA-LAVAL representative.

	Machine Unit No.
*	540338-01
**	540338-02



▼ Exchange necessitates rebalancing — send the complete bowl to an authorized ALFA-LAVAL representative.

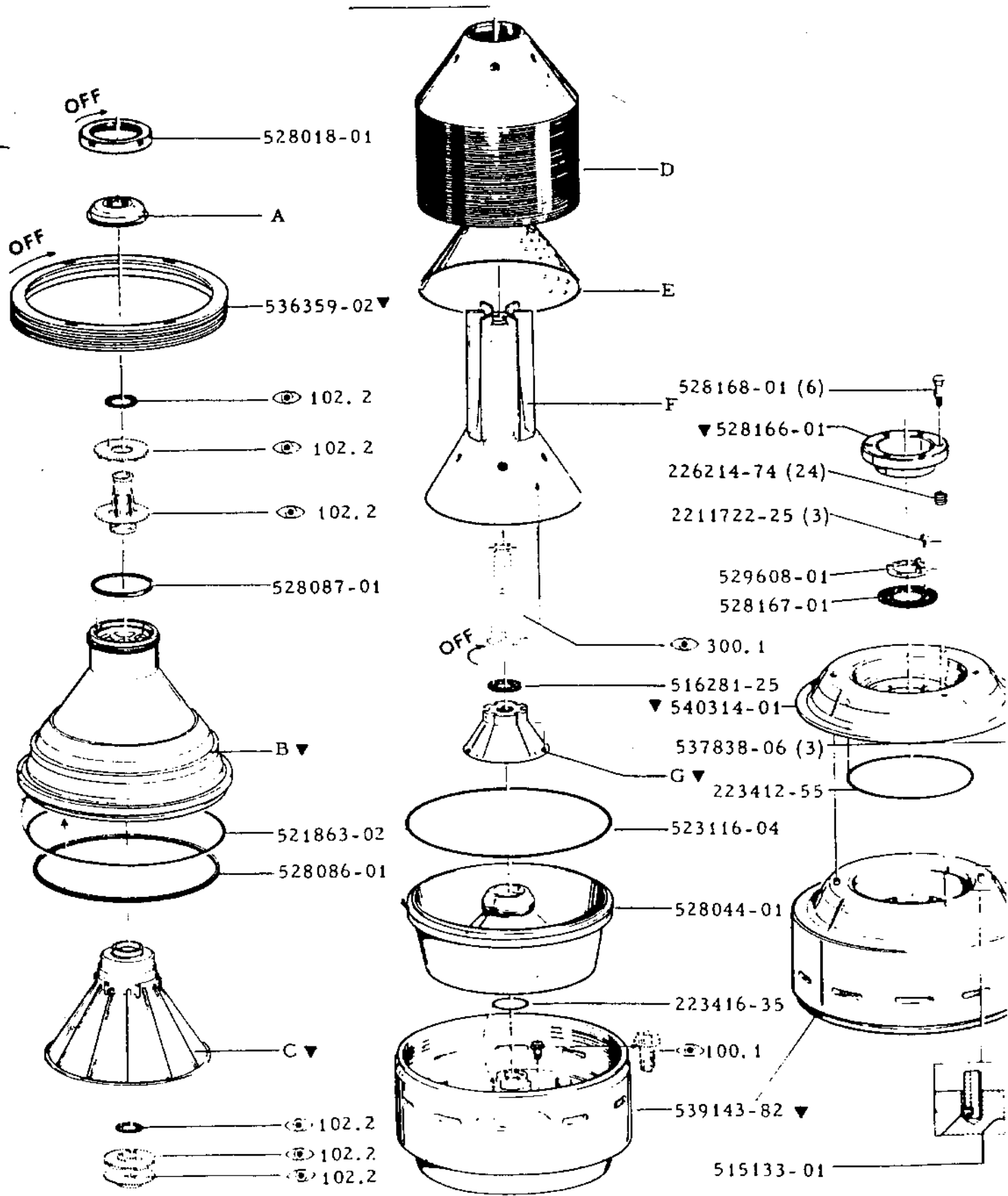


▼ Exchange necessitates rebalancing — send the complete bowl to an authorized ALFA-LAVAL representative.

SO 3958

Machine Unit No.	A	B	C	D
536285-87	528016-02	539412-01	530118-01	530091-05 (200)
536285-88	528016-03	539412-02	530118-02	530091-05 (200)
536285-89	528016-02	539412-01	530118-01	530091-09 (166)
536285-90	528016-03	539412-02	530118-02	530091-07 (166)
Machine Unit No.	E	F	G	
536285-87	530091-06	530098-80	528021-80	
536285-88	530091-06	530098-01	528021-80	
536285-89	530091-10	530098-80	528021-80	
536285-90	530091-08	530098-02	534310-80	

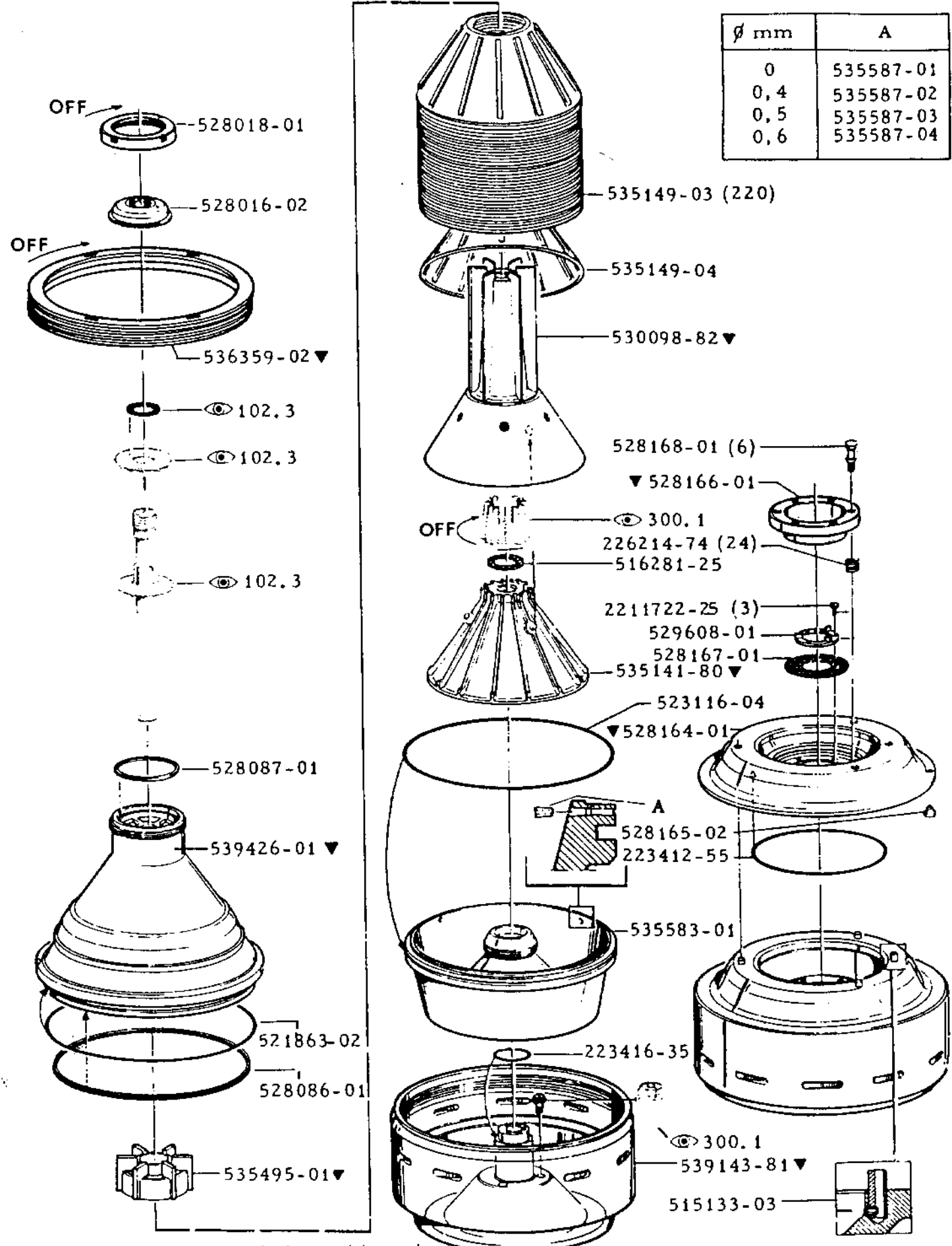
Description
Separator bowl



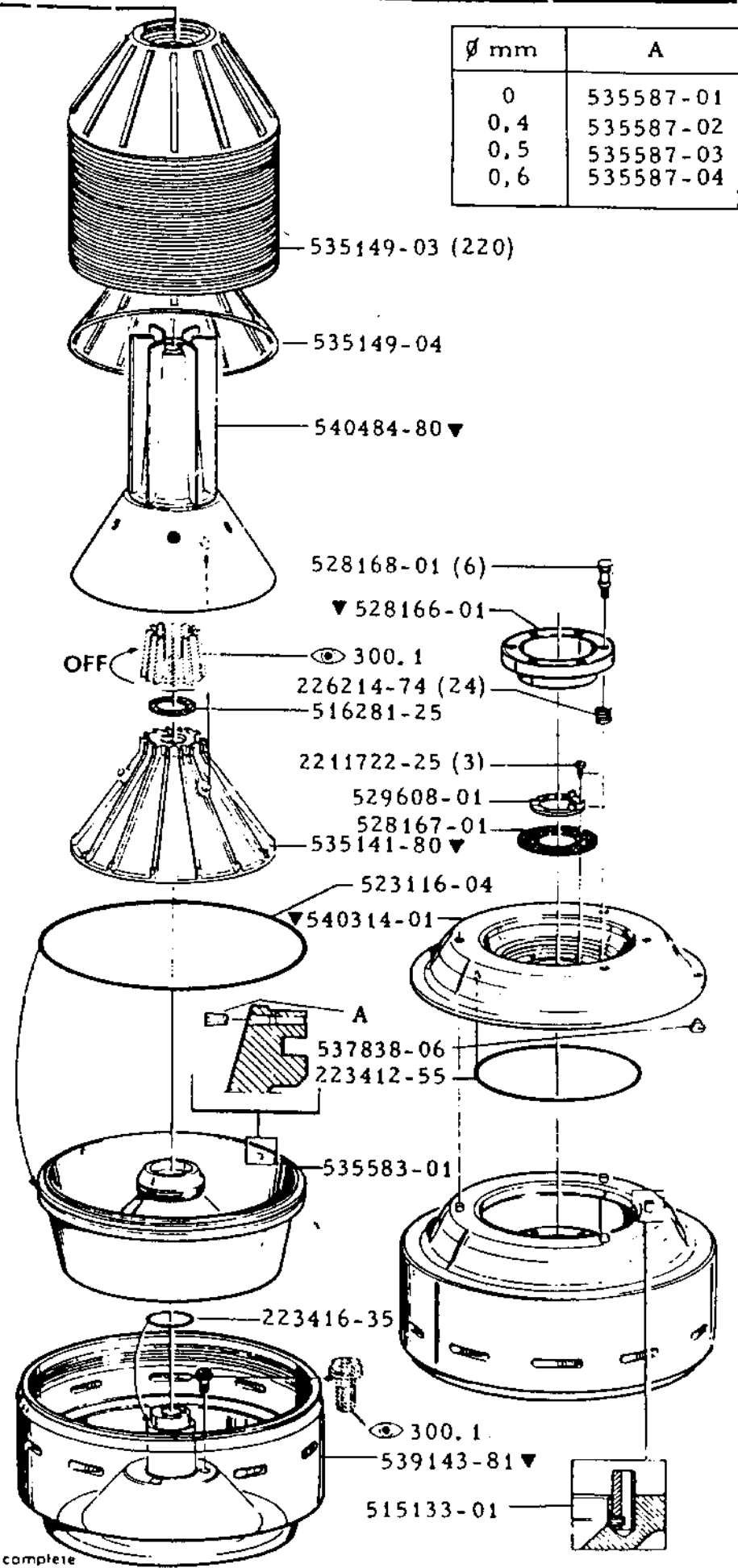
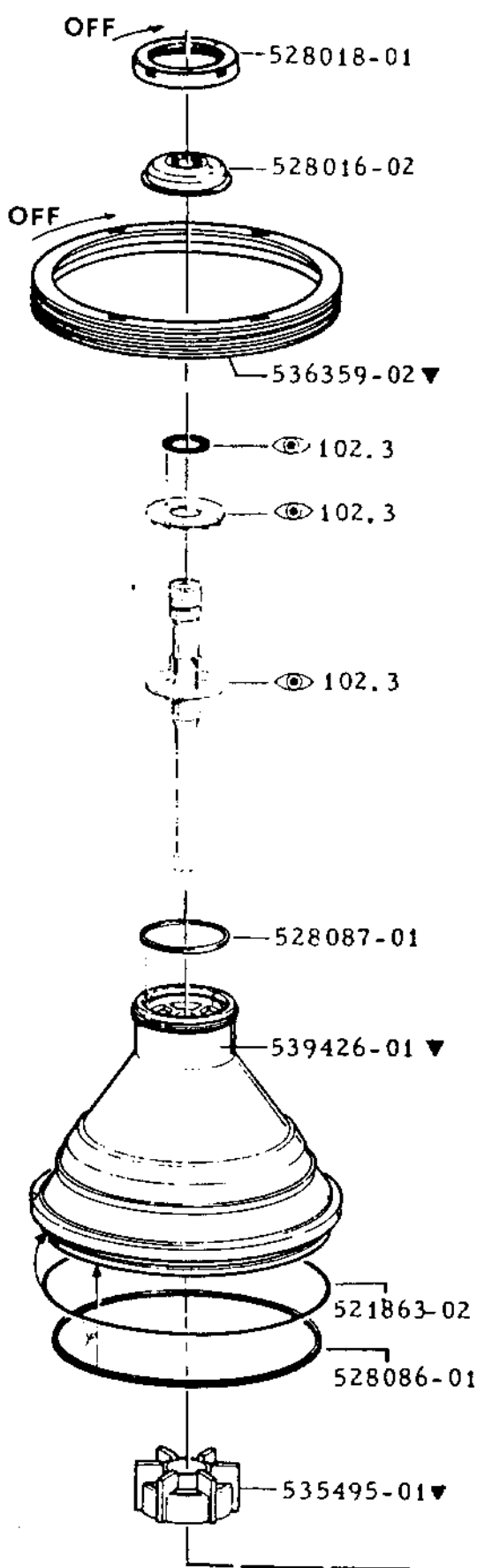
▼ Exchange necessitates rebalancing - send the complete bowl to an authorized ALFA-LAVAL representative  
 SO 2060

Machine Unit No.	A	B	C	D
540327-01	528016-02	539412-01	530118-01	530091-05 (200)
540327-02	528016-03	539412-02	530118-02	530091-05 (200)
540327-03	528016-02	539412-01	530118-01	530091-09 (166)
540327-04	528016-03	539412-02	530118-02	530091-08 (166)
Machine Unit No.	E	F	G	
540327-01	530091-06	540292-80	528021-80	
540327-02	530091-06	540292-01	528021-80	
540327-03	530091-10	540292-80	528021-80	
540327-04	530091-08	540292-02	534310-80	

φ mm	A
0	535587-01
0,4	535587-02
0,5	535587-03
0,6	535587-04



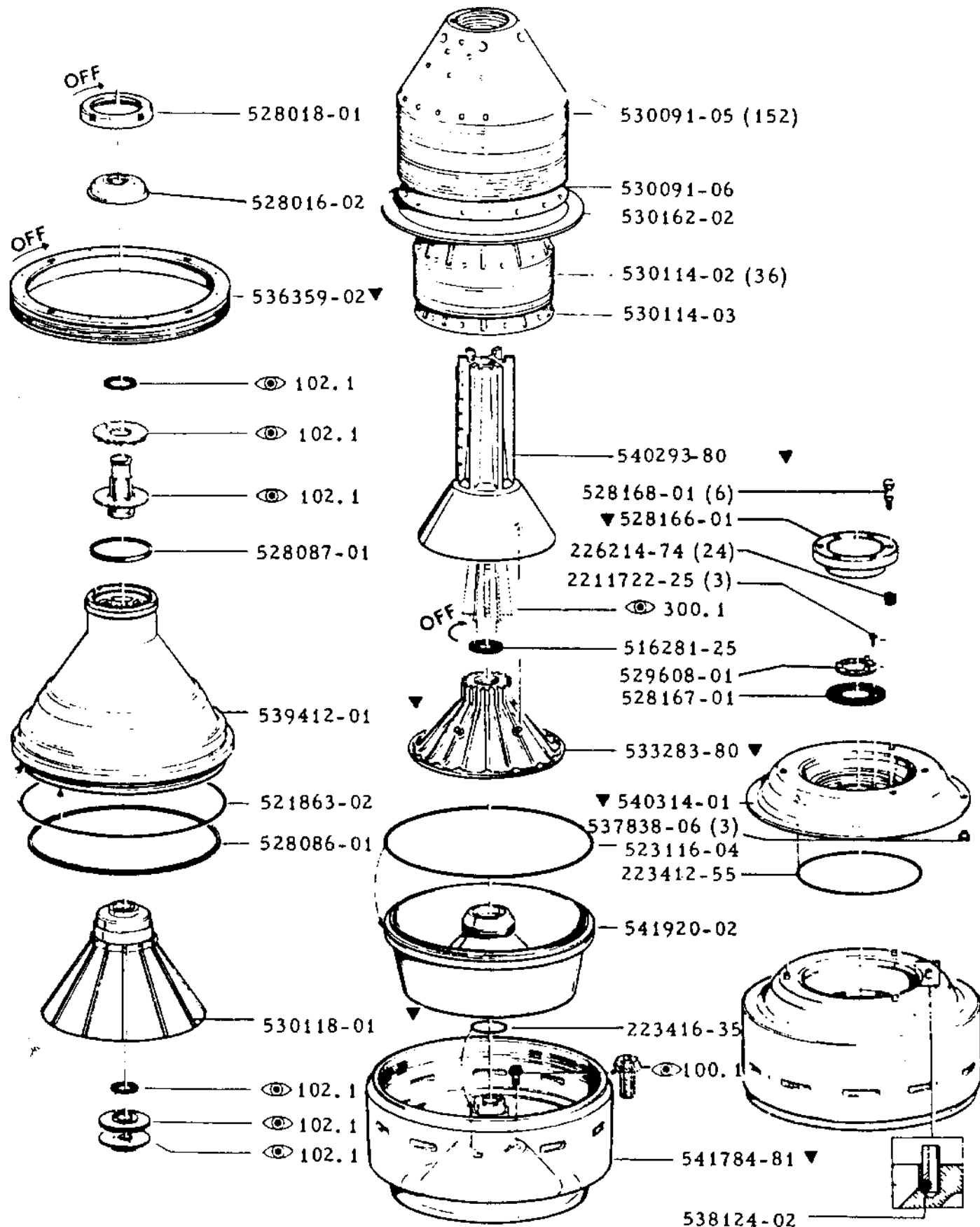
▼ Exchange necessitates rebalancing - send the complete bowl to an authorized ALFA-LAVAL representative.



▼ Exchange necessitates rebalancing - send the complete

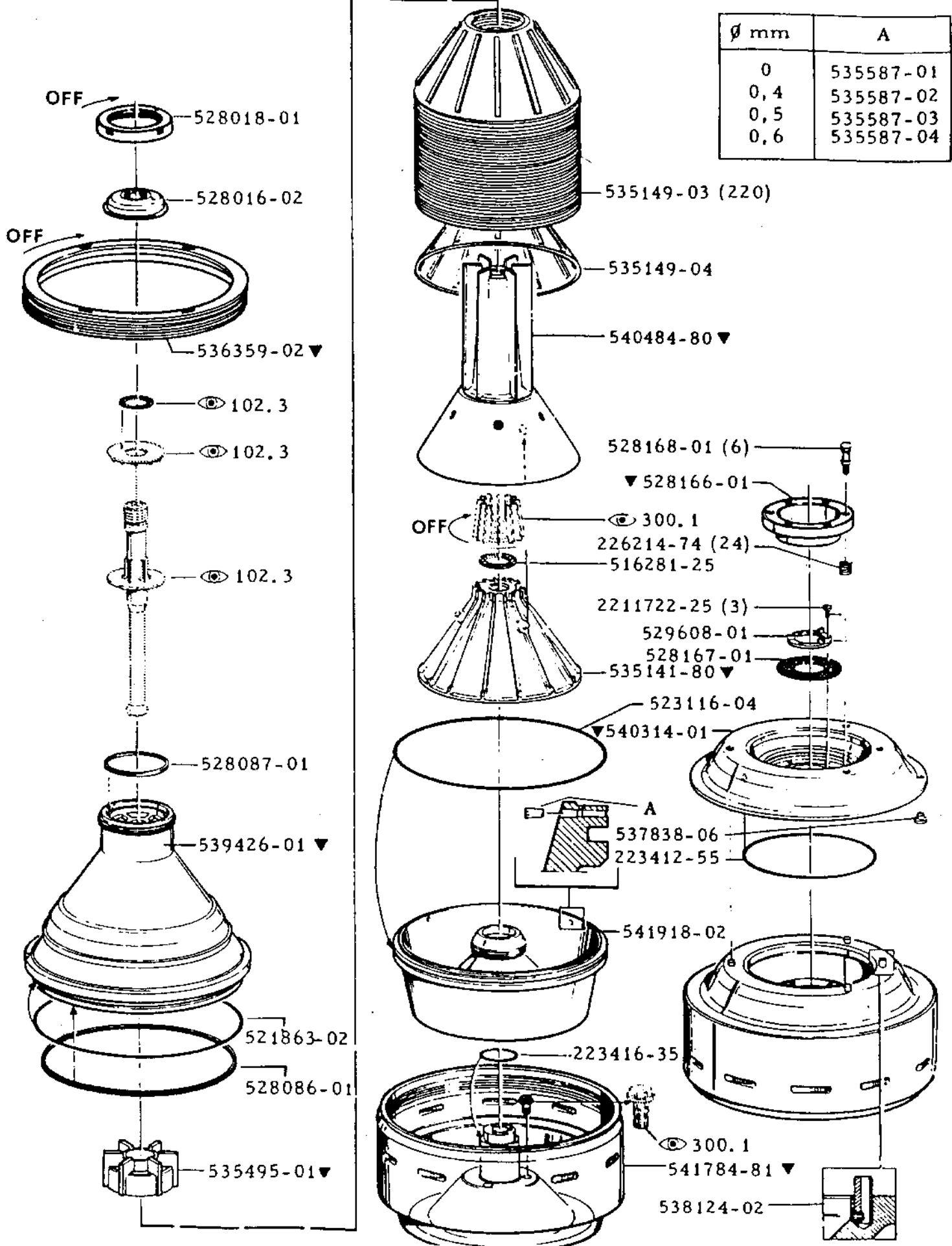
Description  
Separator bowl

Issue  
1/80



▼ Exchange necessitates rebalancing — send the complete bowl to an authorized ALFA-LAVAL representative.

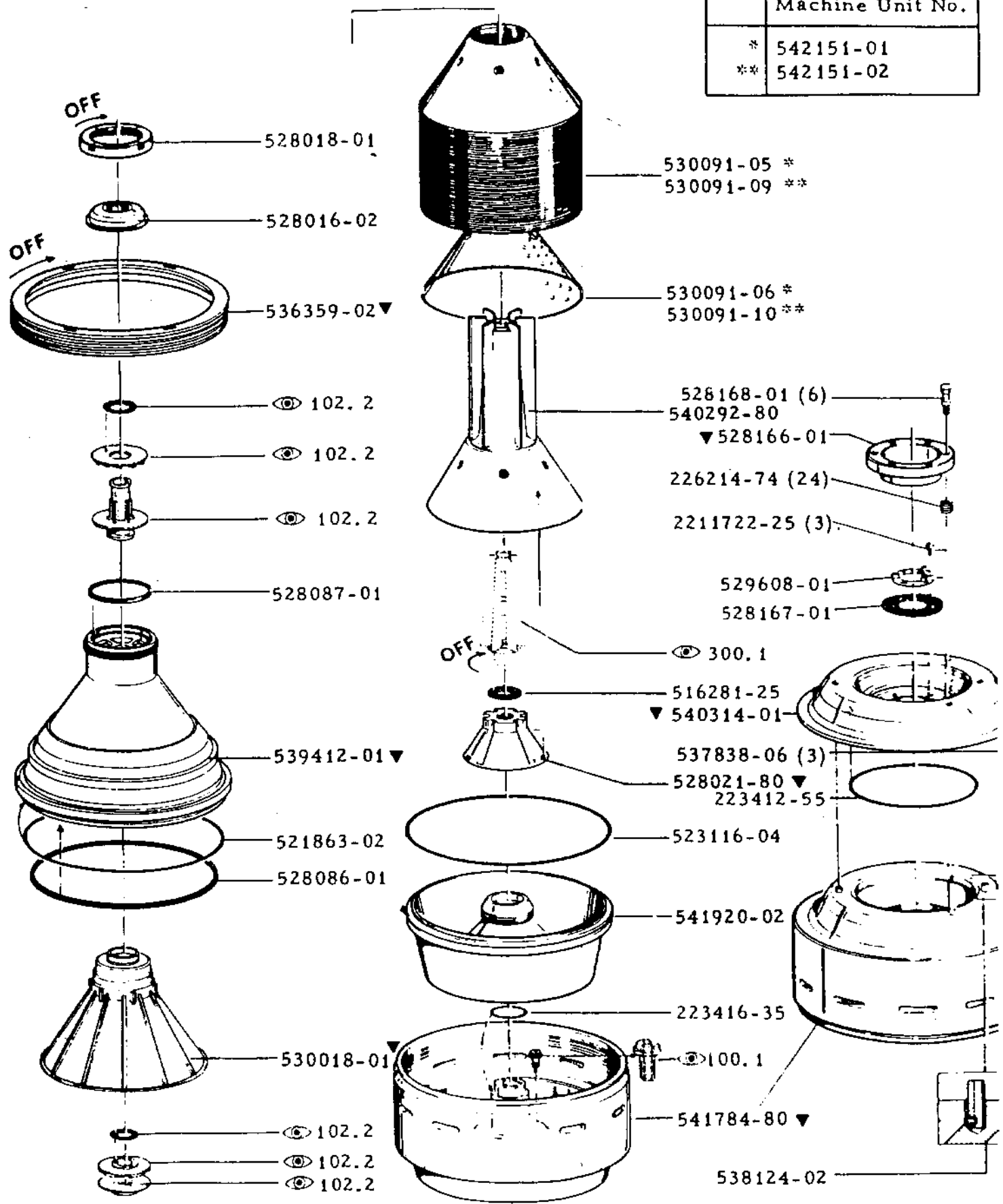
CO 2062



$\varnothing$ mm	A
0	535587-01
0,4	535587-02
0,5	535587-03
0,6	535587-04



Machine Unit No.	
*	542151-01
**	542151-02

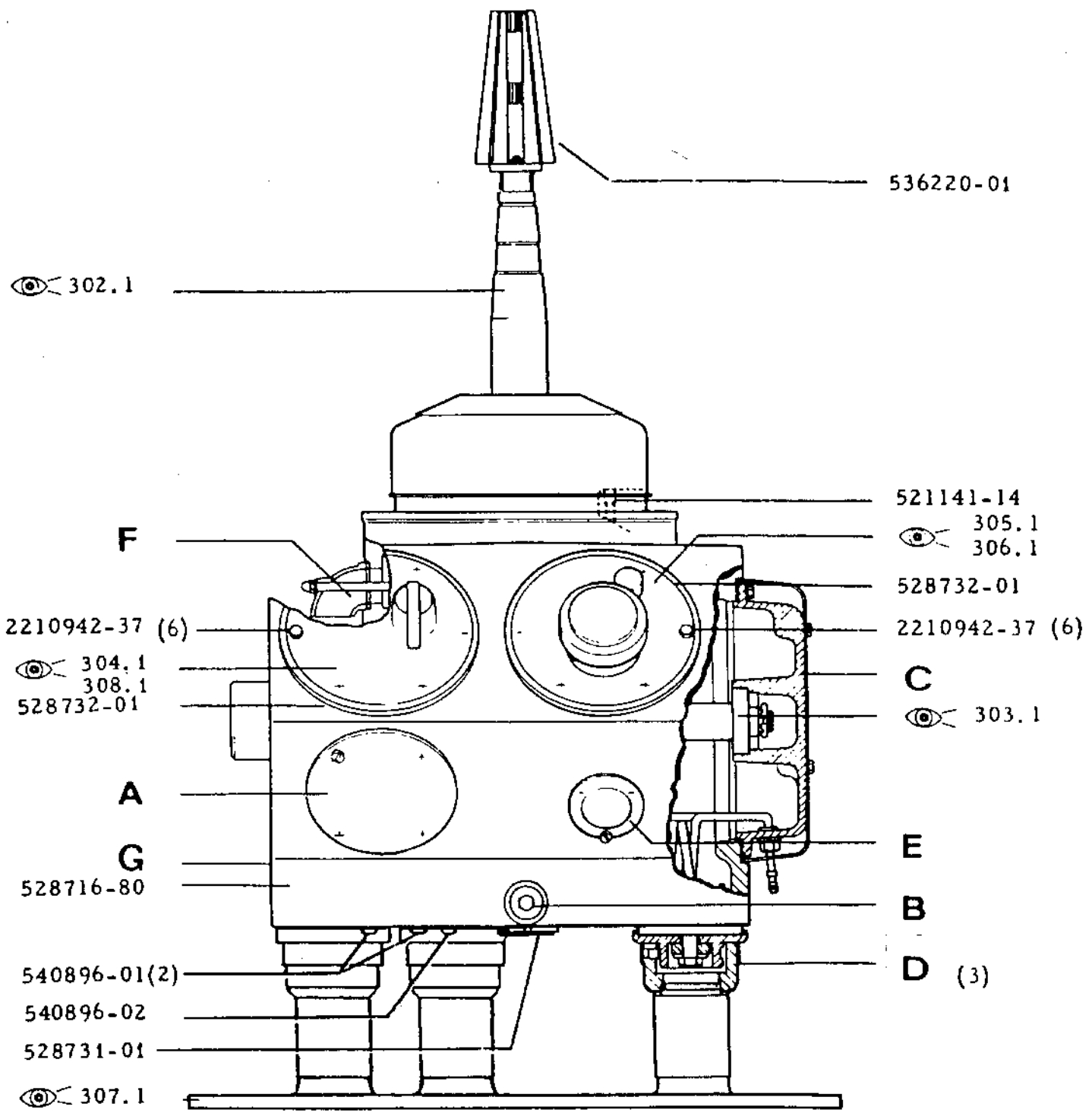


▼ Exchange necessitates rebalancing - send the complete bowl to an authorized ALFA-LAVAL representative

All types  
Description  
Machine bottom part

53/503-50/52/53/55/56/  
/58/59/61/62/96/97/99

300.1  
Issue  
1/80



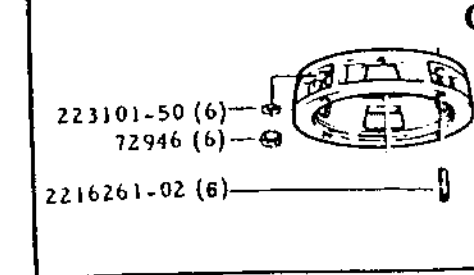
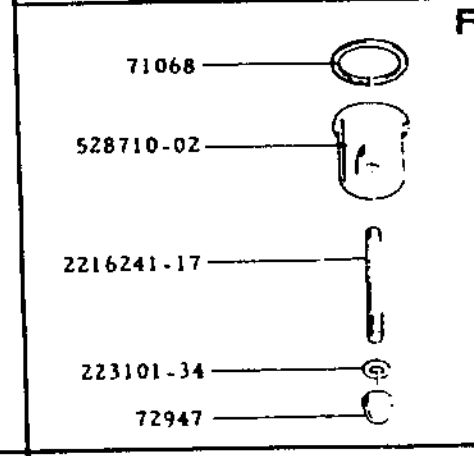
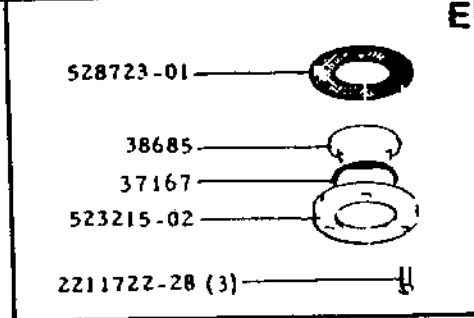
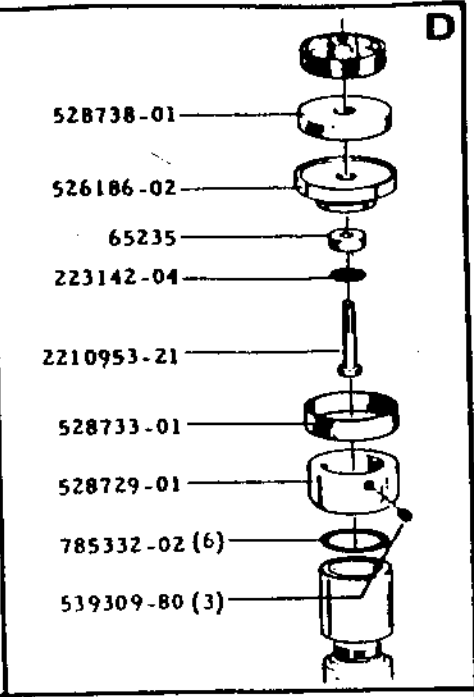
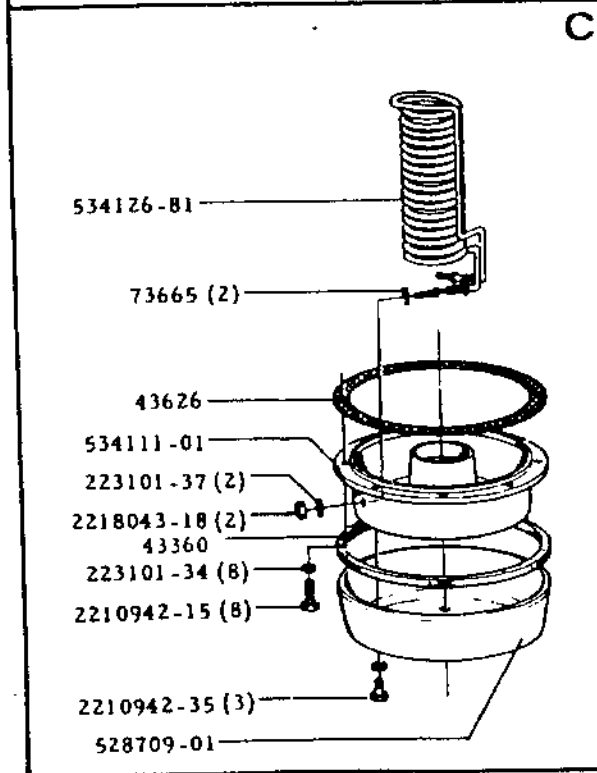
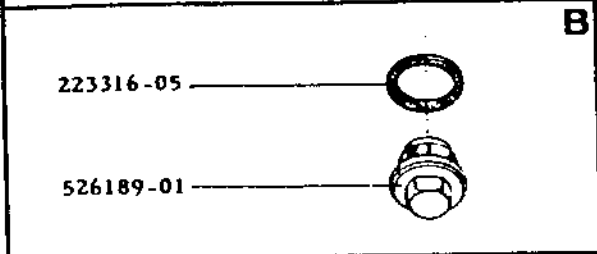
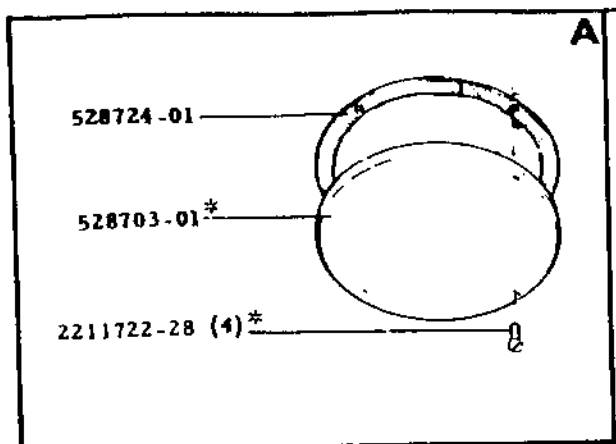
A,B,C,D,E,F,G 301.1

All types

Description  
Frame parts

537503-50/52/53/55/56/58/59/  
/61/62/96/97/99

Issue  
1/80



	Machine Unit No.
*	537503-50/55/56/61/62/ /96/97/99

All types

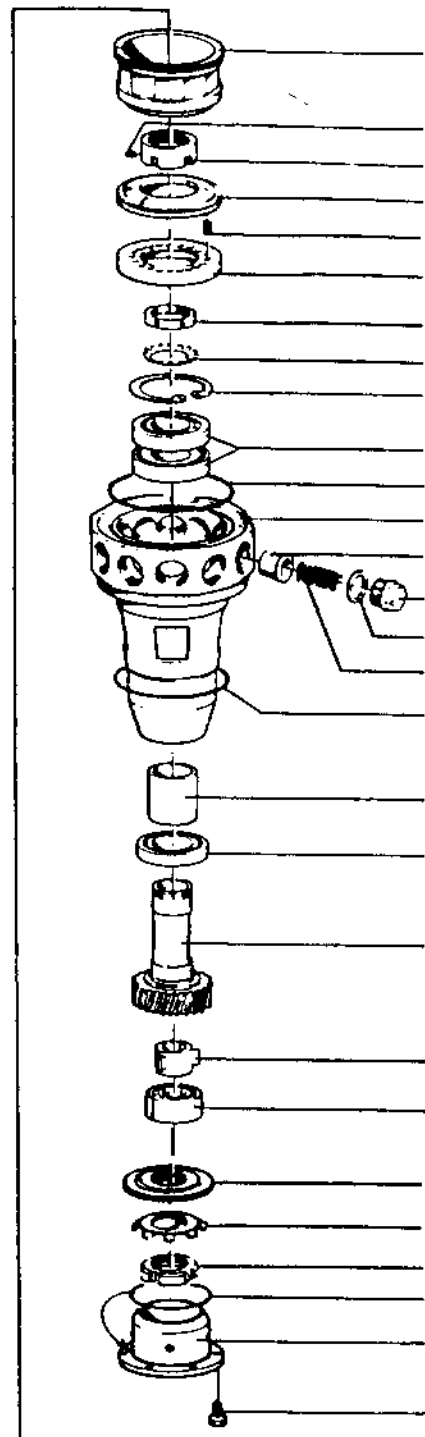
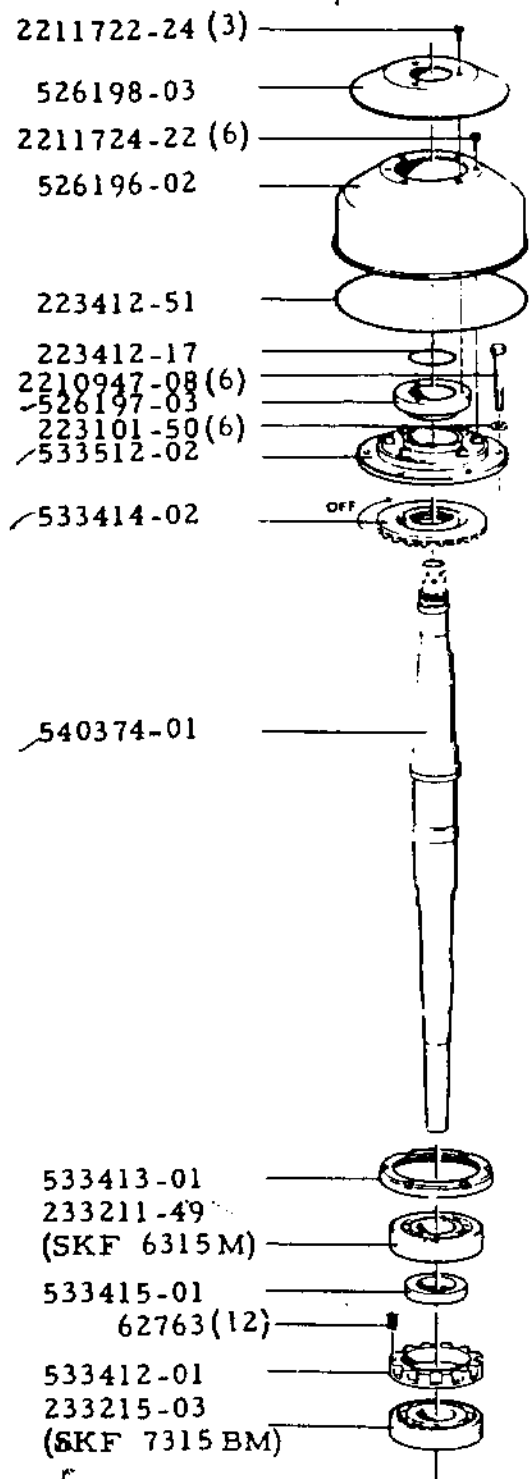
Description

Driving device, vertical

537503-50/52/53/55/56/58/59/  
/61/62/96/97/99

302.1  
Issue  
2/80

537484-84/85/86/87



- 533411-01
- 221545-02 (2)
- 533416-01
- 533417-01
- 70340 (20)
- 533418-01
- 66312 ✓
- 66313 ✓
- 223642-45
- 69850 (SKF 7215 BM)
- 223412-42
- 534143-01
- 70346 (12)
- 528776-01 (12)
- 72473 (12)
- 66191 (12)
- 223412-42
- 534276-01
- 65187 (SKF 6014 M)
- A
- 71973
- 69843 (SKF 2309M)
- 73988
- 66076
- 67476
- 38411
- 519330-02
- 2210942-37 (6)

Machine Unit No	A
537503-50/59/62	418
537503-52/55/96	534275-18
537503-53/56/97	534275-09
537503-58/61/99	534275-13
	534275-16

6  
5  
6  
5

All types

Description

Driving device, horizontal

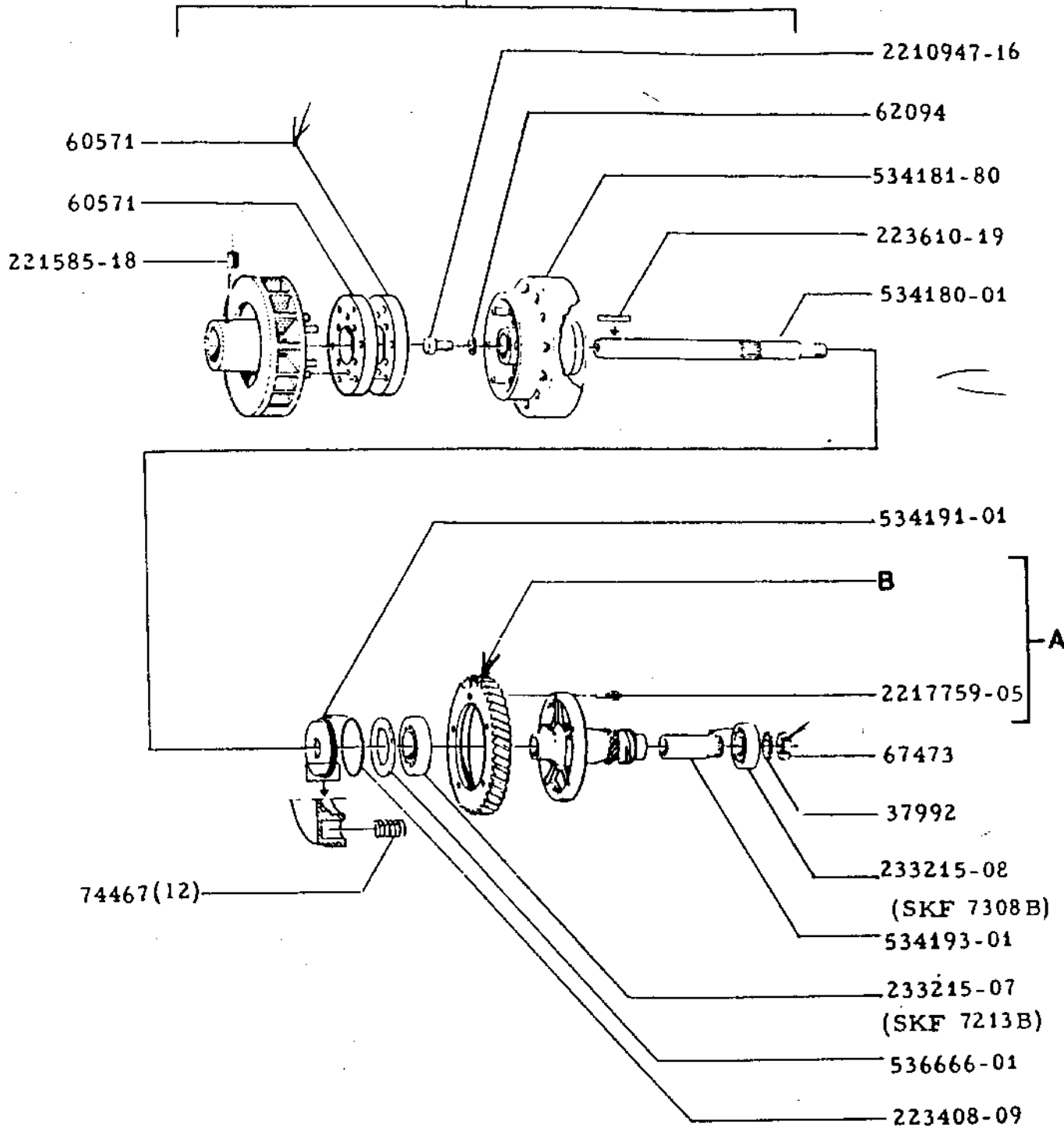
537503-50/52/53/55/56/58/59/  
/61/62/96/97/99

303.1

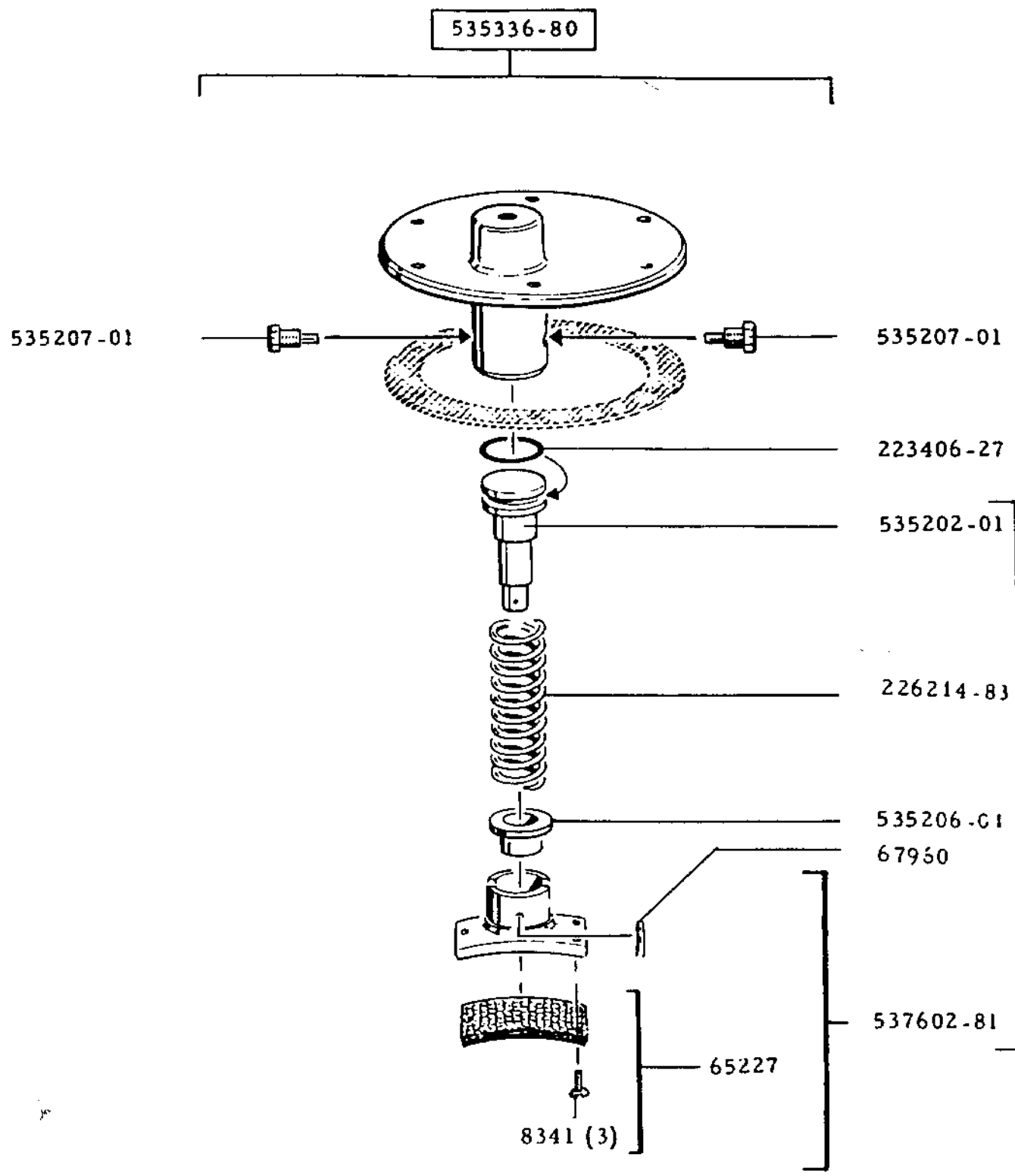
Issue

1/80

537502-81/82/83



Machine Unit No	A	B
537503-50/59/62	60 538049-84	538051-56
537503-52/55/96	50 538049-80	538051-02
537503-53/56/97	60 538049-81	538051-03
537503-58/61/99	50 538049-83	538051-04

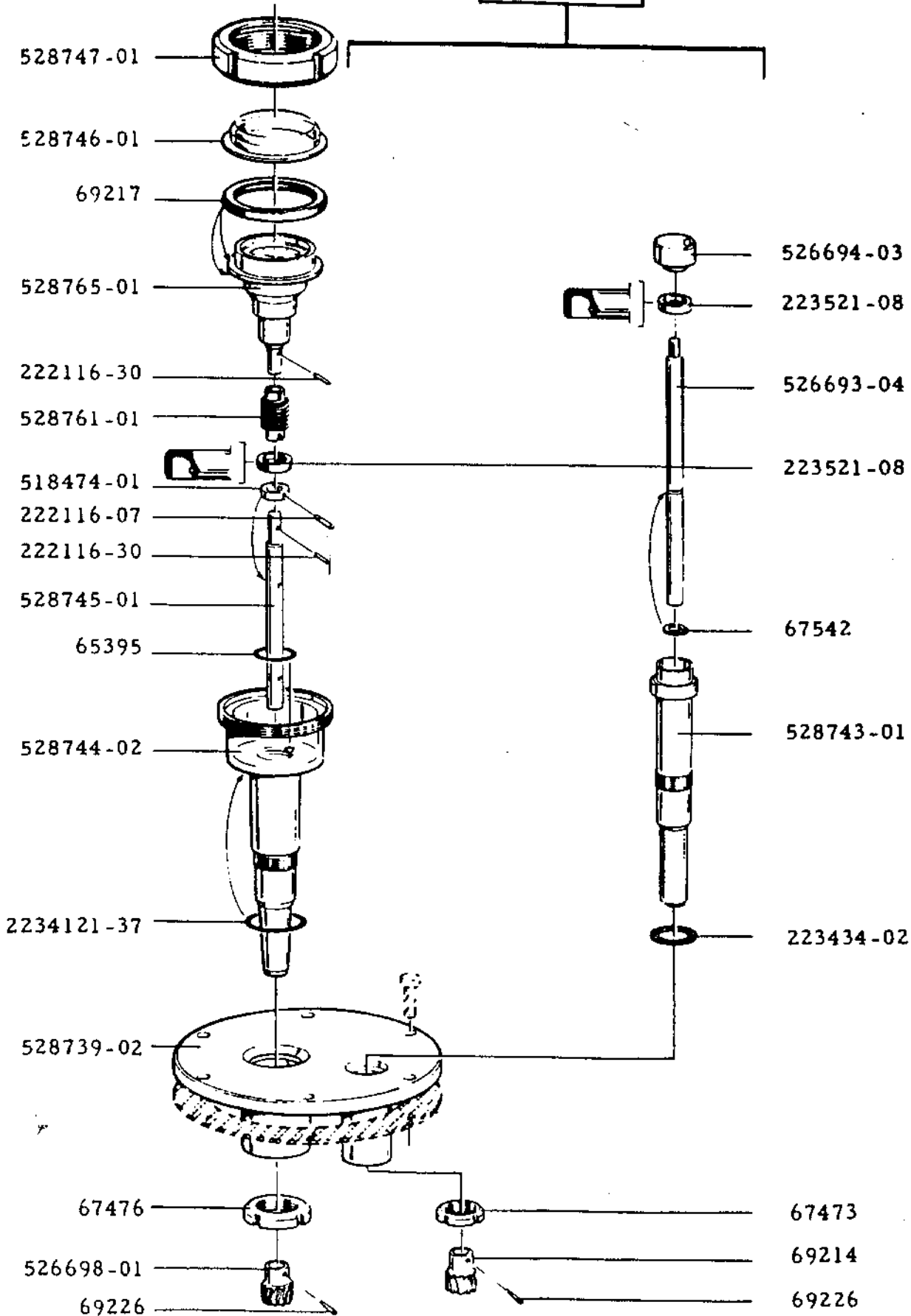


Description  
Worm wheel guard

/96/97/99

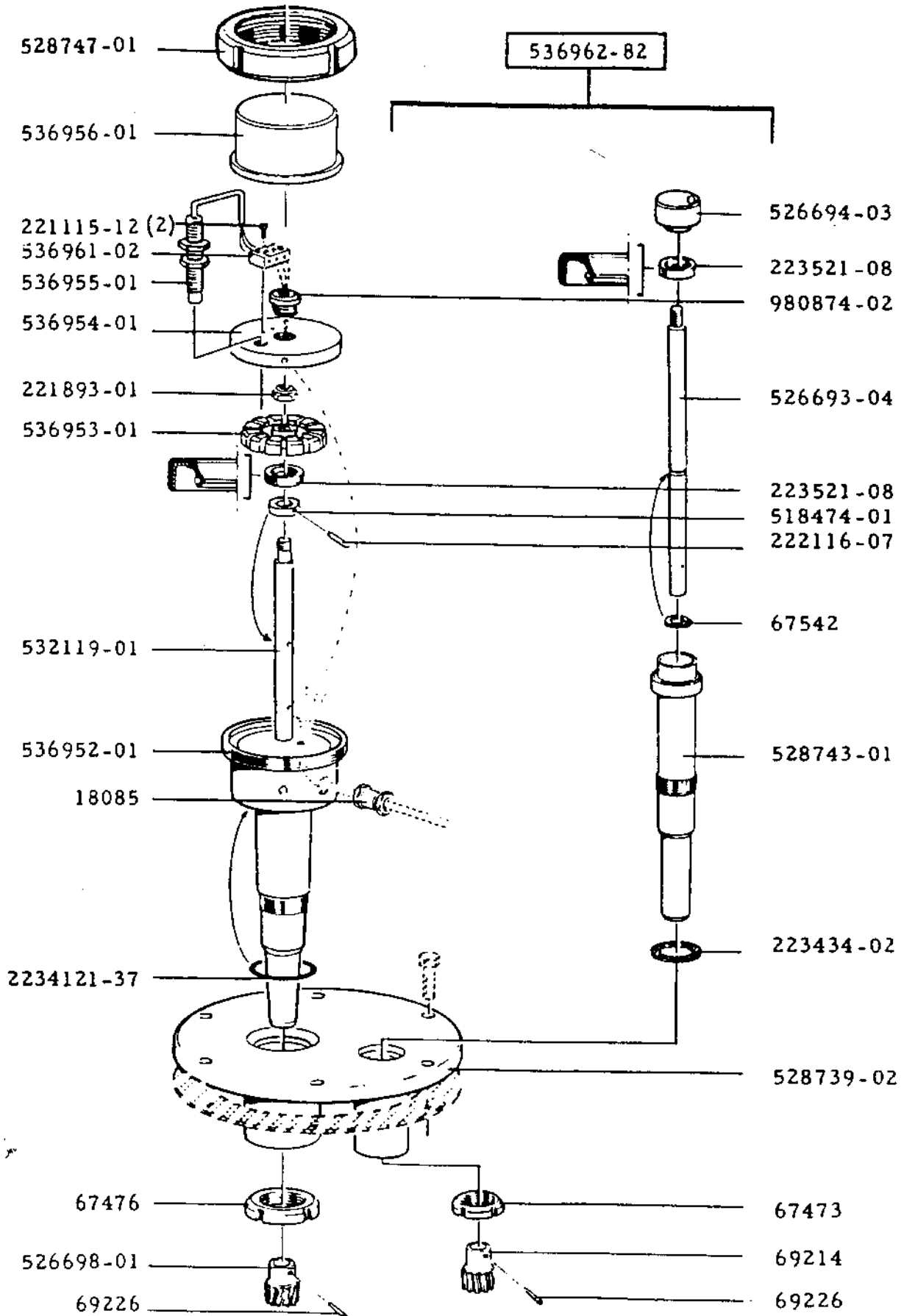
Issue  
1/80

528753-82



Description  
Worm wheel guard

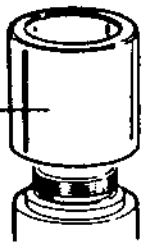
Issue  
1/80



All types	/61/62/96/97/99	Issue
Description		1/80
Foundation plate		

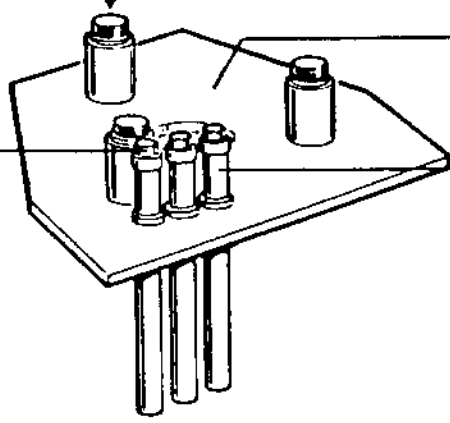
526181-81

528721-01(3)

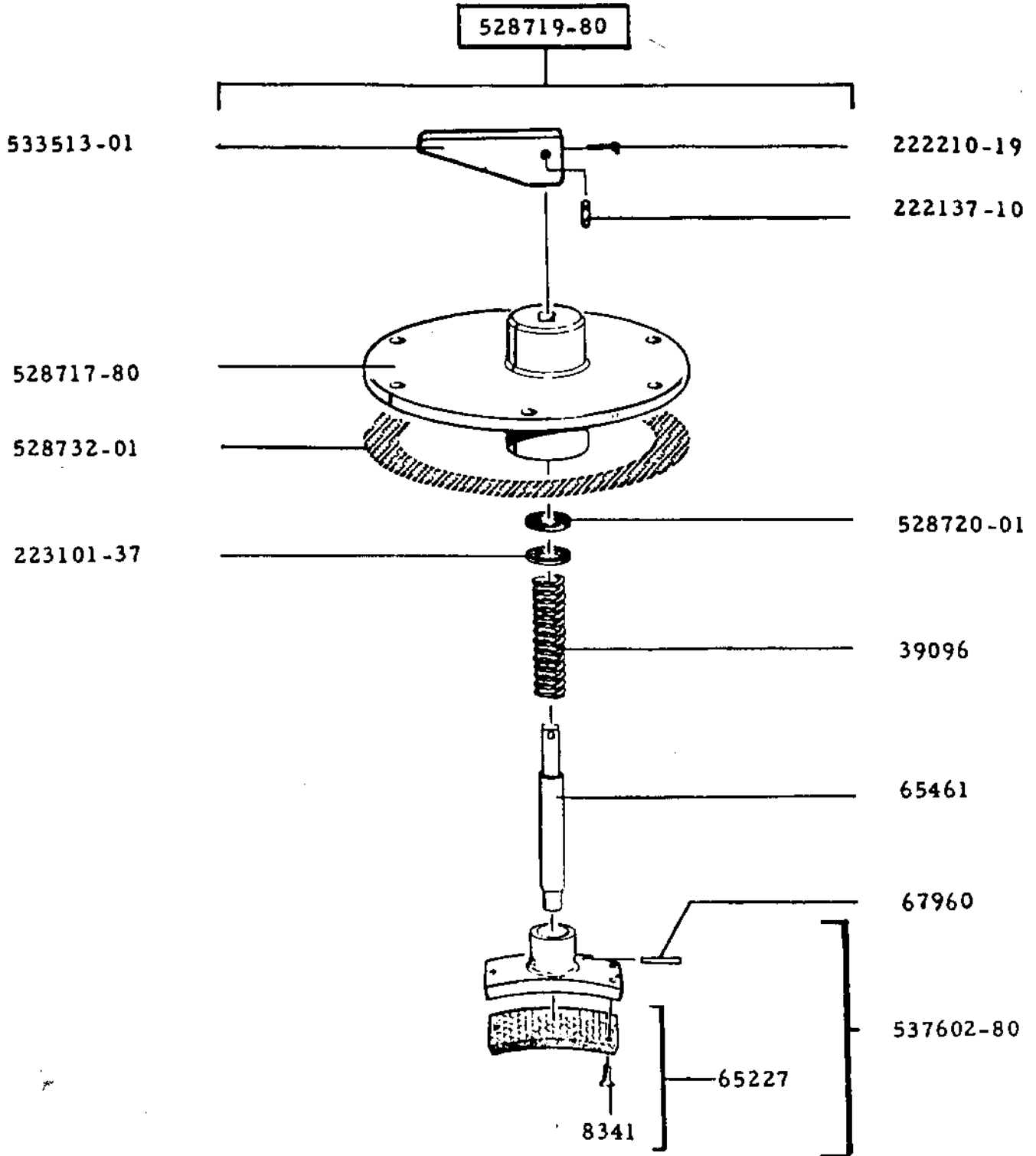


526181-80

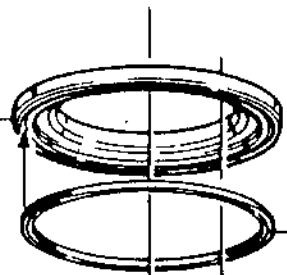
521139-02(3)



526472-81(3)



529531-02

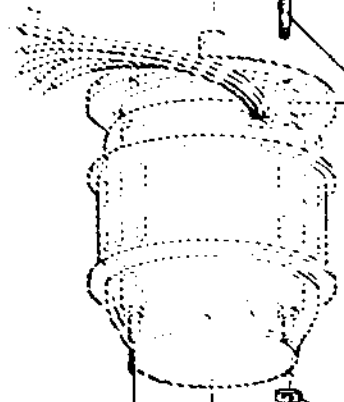
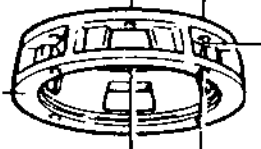


532072-01

534183-01\*  
534184-80\*\*

221585-18

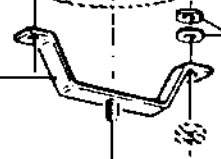
529522-02



2216321-16(4)

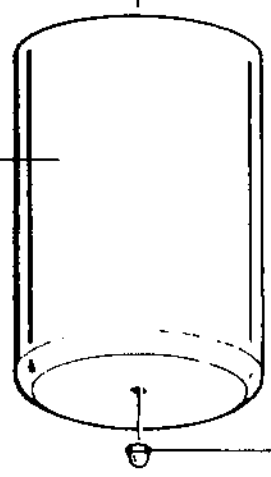
2218043-05(4)

529532-80



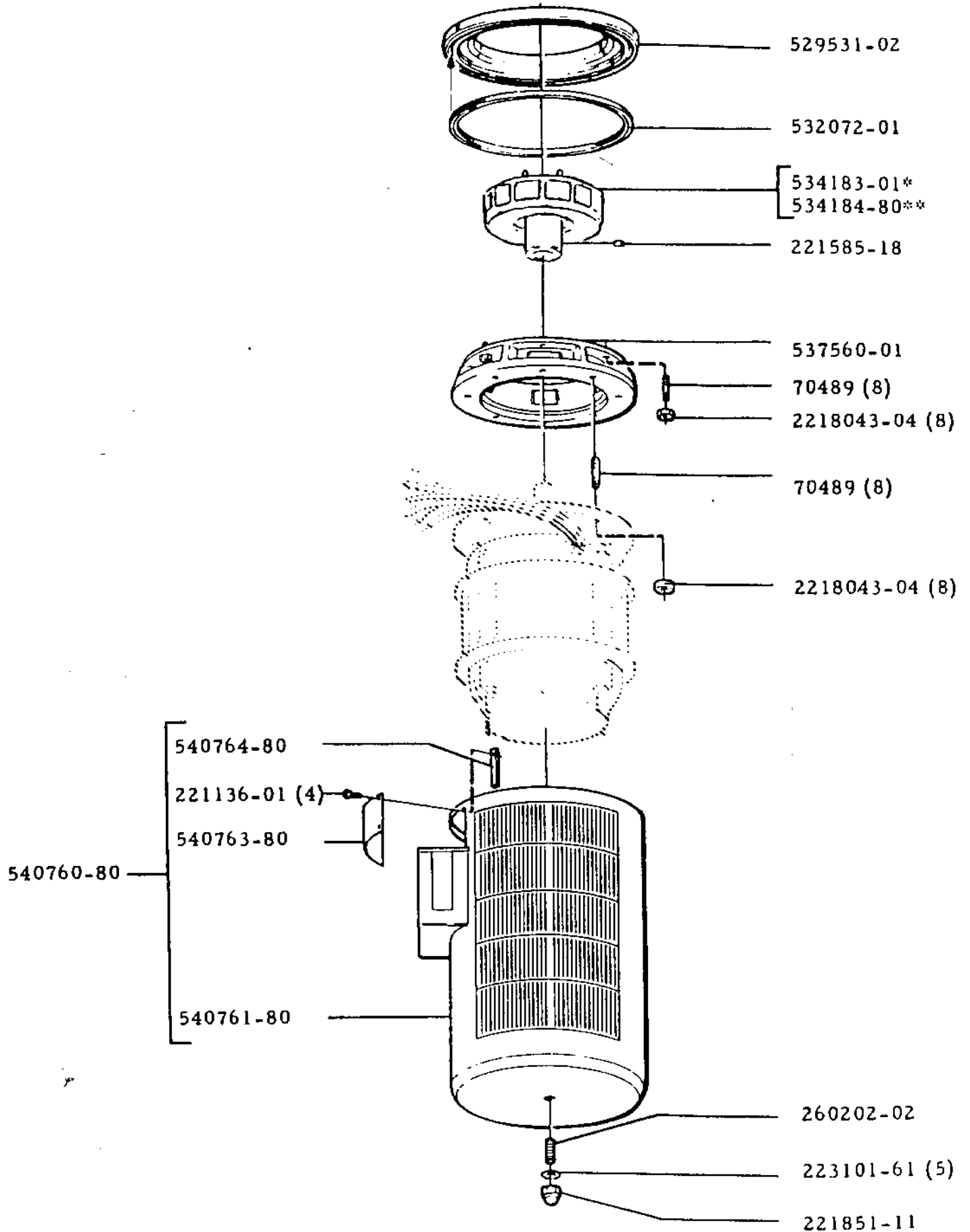
223134-01(4)

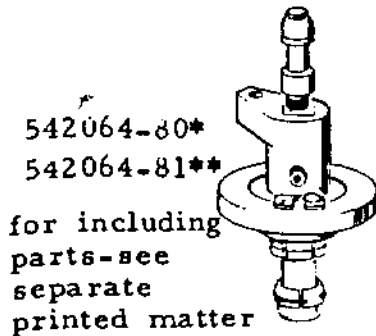
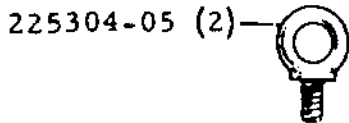
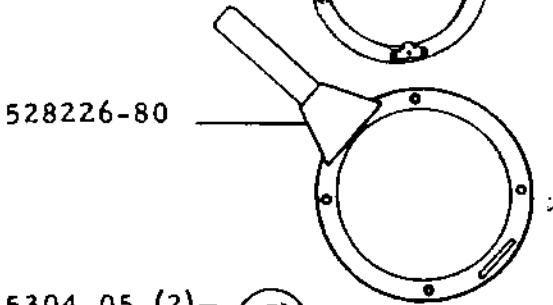
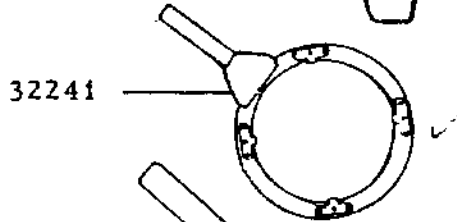
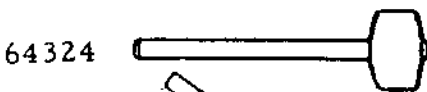
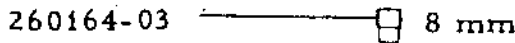
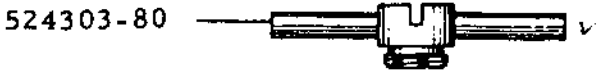
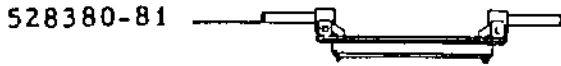
529529-80



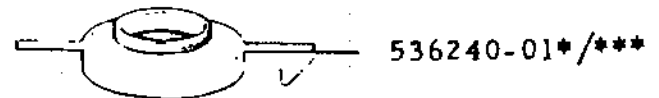
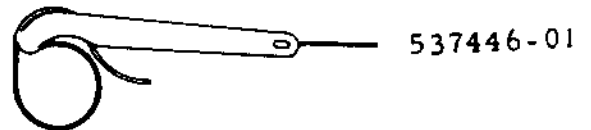
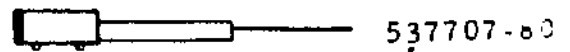
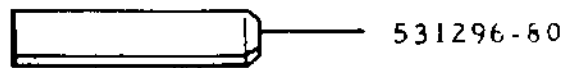
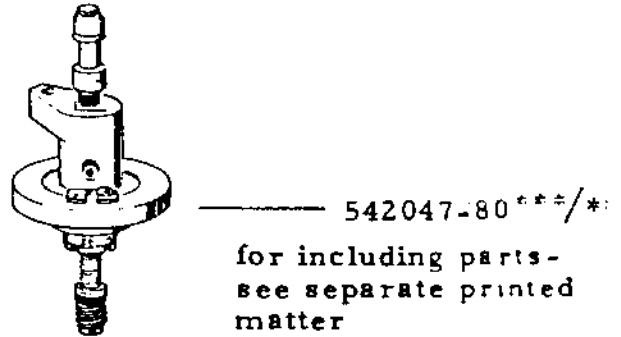
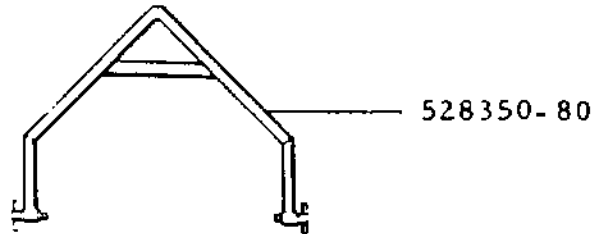
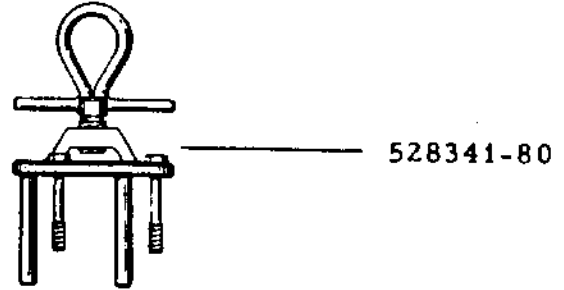
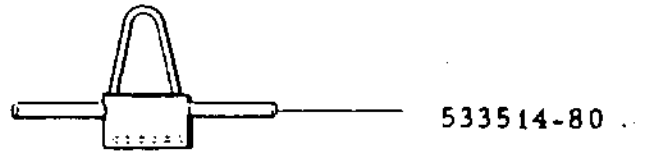
Machine Unit No	
*	537509-80
**	537509-81

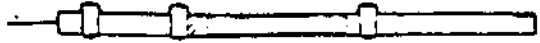
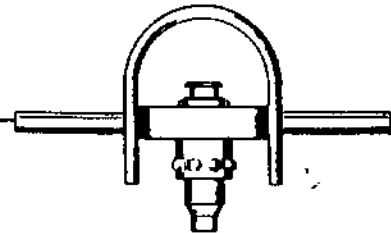
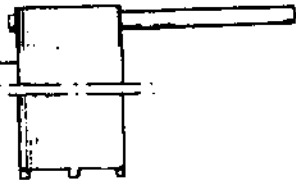
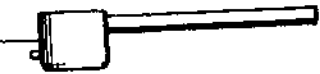
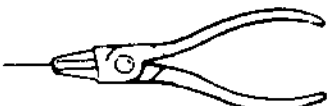


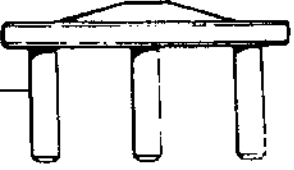
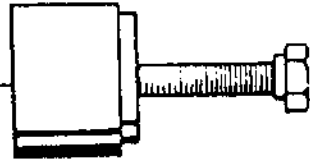
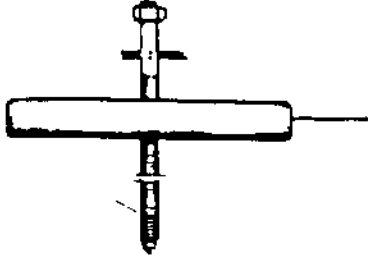




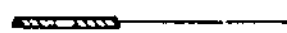


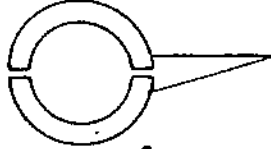

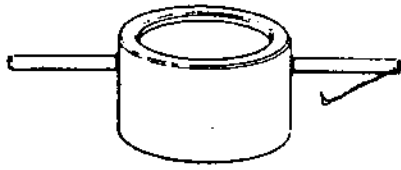
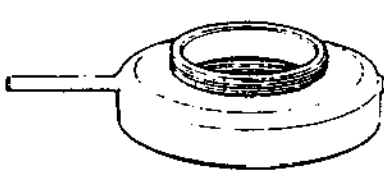
72947





	Machine Unit No.
*	537687-81
**	537687-82
***	537687-86
****	537687-87



- 537496-80 
- 542290-80\*/\*\* 
- 535477-80B 
- 535478-80B 
- 527393-05 
- 72719 
- 542270-80\*\*\*/\*\* 
- 72205 
- 534223-80 
-  535450-80C
-  535479-01C
-  535455-02C
-  535455-01C
-  535454-01C
-  535453-01C
-  70844
-  536238-01\*\*
-  539318-02 (2)
-  539317-01
-  535723-80\*\*  
535723-81\*\*\*\*
-  536243-01\*\*/\*\*

C used together  
B used together  
SO 3978-2

	Machine Unit No.
*	537687-81
**	537687-82
***	537687-86
****	537687-87

PART NO	DESCRIPTION	PART NO	DESCRIPTION
8341	SCREW	70846	SPANNER
18085	CABLE GLAND	71066	RECTANGULAR RING
22451	BALL	71068	RECTANGULAR RING
32241	SPANNER FOR LOCK KING	71405	SLOTTED PIN
37167	RECTANGULAR RING	71973	CONVEYOR
37992	LOCK WASHER	72205	DRIVING -OFF TOOL
38411	U-RING	72473	WASHER
38685	GLASS DISK	72719	PIN SPANNER
39096	SPRING	72946	NUT
42174	HOSE CLIP	72947	CAP NUT
43626	GASKET	73665	RECTANGULAR RING
43630	SEALING STRIP	73988	WASHER
60571	ELASTIC PLATE	74067	U-RING
62094	SPRING WASHER	74467	SPRING
62763	SPRING	74634	O-RING
63730	BALL	190090	BLIND WASHER
64324	TIN HAMMER	190161	PIPE UNION MALE PART
64416	CYLINDRICAL PIN	190601	RECTANGULAR RING
65187	SING ROW RIG BALL BEARIN	190604	RECTANGULAR RING
65227	FRICTION PAD	190605	RECTANGULAR RING
65235	RECTANGULAR RING	190610	RECTANGULAR RING
65395	U-RING	190612	RECTANGULAR RING
65461	SPINDLE	190613	COUPLING NUT
66076	LOCK WASHER	190615	COUPLING NUT
66191	SPRING	190616	COUPLING NUT
66312	ROUND NUT	190617	COUPLING NUT
66313	LOCK WASHER	190619	COUPLING NUT
67473	ROUND NUT	190645	NIPPLE
67476	ROUND NUT	190997	LINER
67477	ROUND NUT	191000	SLEEVE
67542	RETAINING RING	191004	NIPPLE
67780	STUD BOLT	191577	HOSE LINER
67732	CYLINDRICAL PIN	191603	HOSE LINER
67785	GUIDE PLUG	221115 12	SCREW
67844	SCREW	221115 13	SCREW
67960	SLOTTED PIN	221121 55	SCREW
68499	SLOTTED PIN	221126 04	SCREW
68937	RECTANGULAR RING	221126 54	SCREW
69214	GEAR WHEEL	221126 56	SCREW
69217	SEAL RING	221130 02	SCREW
69226	TAPER PIN	221131 01	SCREW
69696	HOOK SPANNER	221136 01	SCREW
69843	BALL BEARING	221226 43	SCREW
69850	ANGULAR CONTACT BALL BEA	221230 10	SCREW
70340	SPRING	221545 02	GRUB SCREW
70346	BUFFER	221581 06	GRUB SCREW

221585	18	GRUB SCREW	233215	03	BALL BEARING
221586	01	GRUB SCREW	233215	07	ANGULAR CONTACT BALL
221803	35	NUT	233215	08	ANGULAR CONTACT BALL
221851	11	CAP NUT	252613	12	HOSE SLEEVE
221851	16	CAP NUT	260154	03	LIFTING EYE
221854	19	CAP NUT	260161	01	RATCHET HANDLE
221854	20	CAP NUT	260164	03	SLEEVE
221891	19	LOCK NUT	260188	01	RETAINING RING
221893	01	LOCK NUT	260189	01	BEARING
222111	45	CYLINDRICAL PIN	260189	02	WASHER
222111	73	CYLINDRICAL PIN	260202	02	STUD BOLT
222116	07	PIN	515133	01	NOZZLE
222116	18	SLOTTED PIN	515133	03	NOZZLE
222116	22	SLOTTED PIN	515488	27	HOSE
222116	30	SLOTTED PIN	516281	10	GASKET
222116	41	SLOTTED PIN	516281	16	RECTANGULAR RING
222137	10	CYLINDRICAL PIN	516281	24	GASKET
222210	19	SPLIT PIN	516281	25	GASKET
223101	30	WASHER	518474	01	STOP RING
223101	34	WASHER	519330	02	BOTTOM BEARING HOUSING
223101	37	WASHER	520238	01	NOZZLE
223101	50	WASHER	520401	04	SCREW
223101	51	WASHER	520555	80	SPINDLE COMPLETE
223101	61	WASHER	521136	01	COUPLING NUT
223101	62	WASHER	521139	02	GLAND SCREW
223134	01	WASHER	521141	14	CYLINDRICAL PIN
223142	04	WASHER	521863	02	RECTANGULAR RING
223316	05	RECTANGULAR RING	522808	05	SEALING STRIP
223324	01	SEAL RING	523116	04	RECTANGULAR RING
223324	04	SEAL RING	523215	02	FIXING PLATE
223406	27	U-RING	524303	80	LIFTING TUGL
223406	66	U-RING	526181	81	FOUNDATION PLATE
223408	09	U-RING	526186	02	FRAME FOOT
223412	17	U-RING	526189	01	DRAIN SCREW
223412	42	U-RING	526196	02	PROTECTING GUARD
223412	51	U-RING	526197	03	THROW-OFF COLLAR
223412	55	U-RING	526198	03	PROTECTING PLATE
223416	35	U-RING	526472	81	CABLE HOLDER
223434	02	RECTANGULAR RING	526648	01	SCREW
223521	08	SEAL RING	526693	04	SHAFT
223610	19	KEY	526694	03	PROTECTING COLLAR
223642	45	RETAINING RING	526698	01	WORM WHEEL
225304	05	LIFTING EYE	527393	05	MOUNTING TONG
226211	02	SPRING	528016	02	PARING CHAMBER TOP PART
226213	01	COMPRESSION SPRING	528016	03	PARING CHAMBER TOPPART
226214	74	SPRING	528018	01	LOCK RING

528086	J1	SEAL RING	528776	01	SCREW PLUG
528087	01	GASKET	528929	11	V-RING
528094	B2	DISTRIBUTING RING COMPL	529381	80	CYCLONE
528164	01	OPERATING SLIDE	529428	80	CYCLONE
528165	02	VALVE PLUG	529522	02	MOTOR ADAPTER
528166	01	SPRING SUPPORT	529529	80	PROTECTING GUARD
528167	01	GASKET	529531	02	GUIDE RING
528168	01	SCREW	529532	80	ATTACHMENT
528192	80	DRAIN PIPE	529608	01	SLEEVE WITH WINGS
528216	01	CONTROL PARING DISK	529910	05	SEAL SLEEVE
528217	01	PARING DISK	530007	03	SWITCH
528218	80	PARING DISK	530028	01	ROUND NUT
528220	02	GASKET	530089	80	LOCK FITTINGS
528220	03	PACKING	530091	05	BOWL DISK
528221	01	PARING DISK	530091	06	BOTTOM DISK
528221	03	PARING DISK	530091	07	BOWL DISK
528226	80	SPANNER	530091	08	BOTTOM DISK
528229	01	PARING DISK	530091	09	BOWL DISK
528229	02	PARING DISK	530091	10	BOTTOM DISK
528341	80	LIFTING TOOL	530098	01	DISTRIBUTOR
528344	01	SCREW	530098	02	DISTRIBUTOR
528350	80	REVERSING TOOL	530098	80	DISTRIBUTOR
528352	80	SCREW	530098	82	DISTRIBUTOR
528359	80	CONNECTING ELBOW	530114	02	BOWL DISK
528380	81	LIFTING TOOL	530114	03	BOWL DISK
528702	01	COVER	530118	01	TOP DISK
528703	01	COVER	530118	02	TOP DISK
528709	01	PROTECTING GUARD	530123	01	DISTRIBUTOR
528710	02	CONNECTING ELBOW	530123	80	DISTRIBUTOR
528716	80	FRAME BOTTOM PART	530162	02	DISTRIBUTION DISK
528717	80	PROTECTING GUARD	530811	01	SWITCH
528720	01	GASKET	531296	80	DRIVING-OFF TOOL
528721	01	CAP	531752	01	TERMINAL BOARD
528723	01	GASKET	532072	01	SEAL STRIP
528724	01	GASKET	532119	01	SHAFT
528729	01	HOLDER	533283	80	DISTRIBUTING CONE
528731	01	PLUG	533411	01	BALL BEARING HOUSING
528732	01	GASKET	533412	01	SPRING SUPPORT
528733	01	PROTECTING RING	533413	01	LOCK RING
528738	01	RUBBER CUSHION	533414	02	GIL FAN
528743	01	BUSHING	533415	01	SPACING SLEEVE
528744	02	BUSHING	533416	01	STOP RING
528745	01	SHAFT	533417	01	WEAR RING
528746	01	PROTECTING GLASS	533418	01	SPRING SUPPORT
528747	01	LOCK RING	533512	02	COVER
528753	82	WORM WHEEL GUARD	533513	01	HANDLE
			533514	80	LIFTING TOOL

PART NO DESCRIPTION

PART NO DESCRIPTION

Issue  
1/80

532554 02 WASHER  
534111 01 BEARING SHIELD  
534111 03 BEARING SHIELD

535724 01 WASHER  
535726 01 THRUST WASHER, OUTER  
535731 01 SEALRING

534126 01 COOLING COIL  
534127 01 MAGNET  
534128 01 WASHER

535831 01 NOZZLE  
535839 01 SUPPORT  
535861 01 PROTECTING CAP

534143 01 SPRING CASING  
534180 01 WORK WHEEL SHAFT  
534181 00 COUPLING DRUM

535862 80 CAP  
535863 01 BRACKET  
535864 80 SAFETY BRAKER

534183 01 COUPLING DISK  
534184 80 COUPLING DISK  
534191 01 SEALING WASHER

535899 01 PLUG  
536220 01 CAP NUT  
536233 01 LOCK SWITCH ACTUATOR

534193 01 SPACING SLEEVE  
534223 80 PULLER TOOL  
534275 09 WORK

536237 02 LIFTING SHOULDER  
536240 01 LIFTING RING  
536243 01 LIFTING RING

534275 13 WORK  
534275 16 WORK  
534275 18 WORK

536285 87 SEPARATOR BOWL  
536285 88 SEPARATOR BOWL  
536285 89 SEPARATOR BOWL

534276 01 SPACING SLEEVE  
534310 80 DISTRIBUTING CONE  
535141 80 DISTRIBUTING CONE

536285 90 SEPARATOR BOWL  
536359 02 LOCK RING  
536378 82 SEPARATOR BOWL

535149 03 BOWL DISK  
535149 04 BOTTOM DISK  
535201 80 BRAKE SHOE

536420 80 FRAME HOOD  
536423 01 HEIGHT ADJUSTING RING  
536423 02 HEIGHT ADJUSTING RING

535202 01 PISTON ROD  
535206 01 GLAND  
535207 01 GRUB SCREW

536423 03 HEIGHT ADJUSTING RING  
536423 04 HEIGHT ADJUSTING RING  
536423 05 HEIGHT ADJUSTING RING

535258 01 OULET PIECE COMPLETE  
535330 80 REMOTE CONTROL BRAKE  
535450 80 EXPELLING AND DRIVING-IN

536485 80 DISCHARGE COVER  
536485 81 DISCHARGE COVER  
536486 80 DISCHARGE COVER

535453 01 THRUST DISK  
535454 01 THRUST DISK  
535455 01 EXTRACTOR DISK

536486 81 DISCHARGE COVER  
536490 01 DISCHARGE COVER  
536491 80 FEED PIPE

535455 02 EXTRACTOR DISK  
535477 80 PIN SPANNER  
535478 80 HOLDING TOOL

536552 01 SPIRALRING  
536610 84 SEPARATOR BOWL  
536616 85 SEPARATOR BOWL

535479 01 PIPE  
535491 01 PARKING DISK  
535495 01 WING INSET

536666 01 THRUST DISK  
536791 01 ROLLER  
536952 01 BUSHING

535496 01 COUPLING HOOT  
535499 01 CONNECTION PIECE  
535550 01 SLIDING BOWL BOTTOM

536953 01 TOOTHED WHEEL  
536954 01 WASHER  
536955 01 INDUCTIVE SENSOR

535587 01 NOZZLE PLUG  
535587 02 NOZZLE  
535587 03 NOZZLE

536956 01 COVER  
536961 02 TERMINAL BOARD  
537080 02 POLYBODENUM DISULFIDE PA

535587 04 NOZZLE  
535723 80 PULLER SLEEVE COMPL

537259 82 HOOK SCREW  
537446 01 BELT PIPE WRENCH

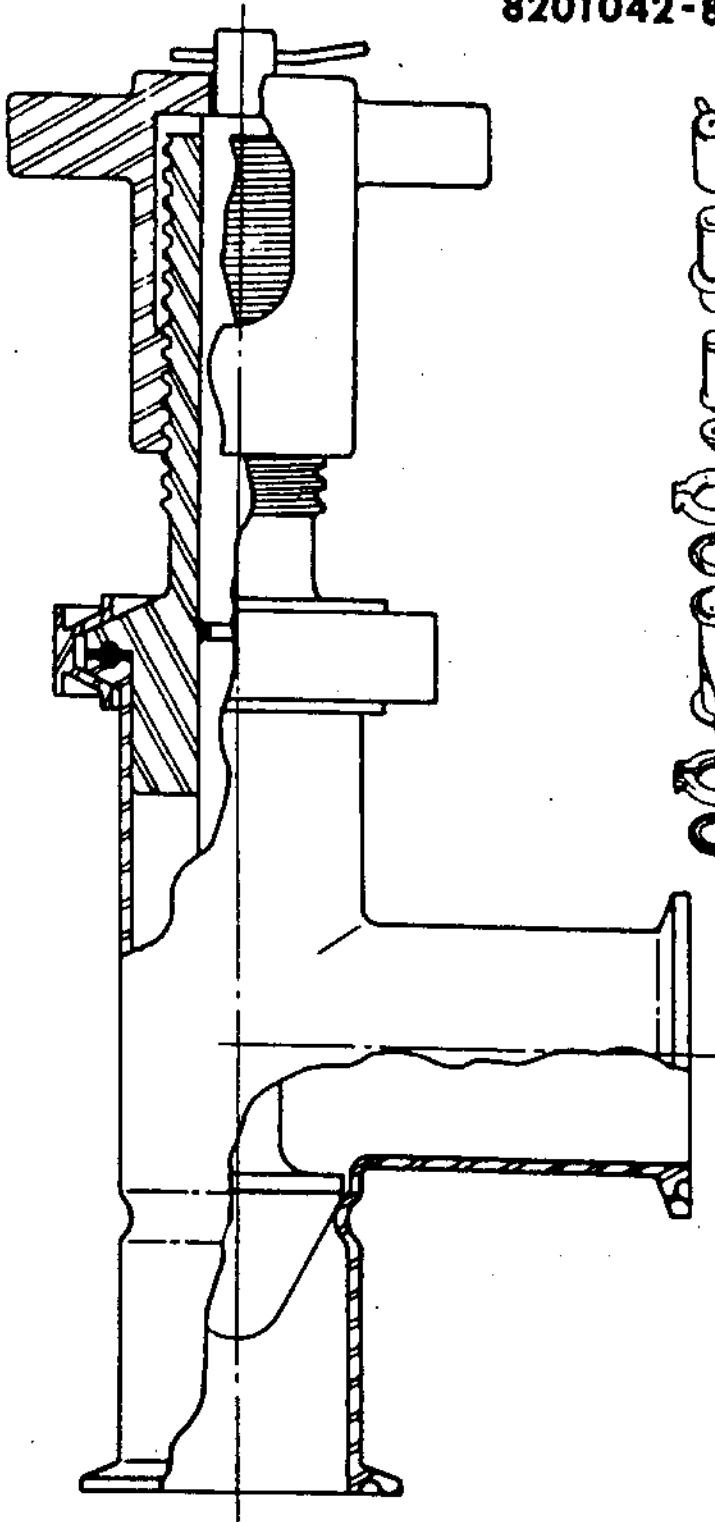
537503 50 MACHINE BOTTOM PART  
 537503 52 MACHINE BOTTOM PART  
 537503 53 MACHINE BOTTOM PART  
  
 537503 55 MACHINE BOTTOM PART  
 537503 56 MACHINE BOTTOM PART  
 537503 58 MACHINE BOTTOM PART  
  
 537503 59 MACHINE BOTTOM PART  
 537503 61 MACHINE BOTTOM PART  
 537503 62 MACHINE BOTTOM PART  
  
 537503 76 MACHINE BOTTOM PART  
 537503 77 MACHINE BOTTOM PART  
 537503 79 MACHINE BOTTOM PART  
  
 537509 80 PARTS FOR MOTOR MOUNTING  
 537509 81 PARTS FOR MOTOR MOUNTING  
 537500 01 MOTOR ADAPTER  
  
 537602 80 BRAKE SHOE  
 537602 81 BRAKE SHOE  
 537607 01 SET OF TOOLS  
  
 537607 82 SET OF TOOLS  
 537607 86 SET OF TOOLS  
 537607 87 SET OF TOOLS  
  
 537707 80 PIN SPANNER  
 537808 04 VALVE PLUG  
 538049 80 WORM WHEEL COMPLETE  
  
 538049 01 WORM WHEEL COMPLETE  
 538049 03 WORM WHEEL COMPLETE  
 538049 04 WORM WHEEL COMPLETE  
  
 538051 02 GEAR RIM  
 538051 03 GEAR RIM  
 538051 04 GEAR RIM  
  
 538051 06 GEAR RIM  
 538124 02 NOZZLE  
 538255 01 COVER  
  
 538371 80 FRAME HOOD  
 538420 84 MACHINE TOP PART  
 538420 85 MACHINE TOP PART  
  
 538420 86 MACHINE TOP PART  
 538420 87 MACHINE TOP PART  
 538420 88 MACHINE TOP PART  
  
 538420 89 MACHINE TOP PART  
 538420 90 MACHINE TOP PART  
 538420 91 MACHINE TOP PART  
  
 538440 01 MACHINE TOP PART  
 538440 02 MACHINE TOP PART  
 538450 01 INLET PIPE  
  
 538457 01 INLET PIPE  
 538476 80 OUTLET PIECE CPL











538476 83 OUTLET PIECE COMPLETE  
 538778 01 WRENCH HEAD  
 538779 01 TORQUE WRENCH  
  
 538779 80 TORQUE WRENCH  
 539143 81 BOWL BODY  
 539143 82 BOWL BODY  
  
 539242 80 DISTRIBUTING COVER  
 539244 01 HEIGHT ADJUSTING RING  
 539265 80 FRAME TOP PART  
  
 539309 80 SOCKET GRUB SCREW  
 539315 80 FRAME TOP PART  
 539317 01 PULLER RING  
  
 539318 02 SEGMENT  
 539412 01 BOWL HOOD  
 539412 02 BOWL HOOD  
  
 539426 01 BOWL HOOD  
 540251 01 WASHER  
 540252 01 LOCK WASHER  
  
 540253 01 THRUST WASHER, OUTER  
 540260 80 PARKING DISK, LOWER, TOP P  
 540261 01 PARKING DISK UNDER  
  
 540262 01 PARKING DISK, UPPER  
 540265 01 FEED PIPE  
 540265 80 FEED PIPE  
  
 540292 80 DISTRIBUTOR, COMPLETE  
 540293 01 DISTRIBUTOR, COMPLETE  
 540293 80 DISTRIBUTOR, COMPLETE  
  
 540314 01 OPERATING SLIDE  
 540327 01 SEPARATOR BOWL COMPLETE  
 540327 02 SEPARATOR BOWL COMPLETE  
  
 540327 03 SEPARATOR BOWL COMPLETE  
 540327 04 SEPARATOR BOWL COMPLETE  
 540338 01 SEPARATOR BOWL COMPLETE  
  
 540338 02 SEPARATOR BOWL COMPLETE  
 540339 01 SEPARATOR BOWL COMPLETE  
 540374 01 BOWL SPINDLE  
  
 540484 80 DISTRIBUTOR  
 540632 02 WRENCH HEAD  
 540760 80 PROTECTING CAP  
  
 540761 80 PROTECTING CAP  
 540763 80 TOP COVER  
 540764 80 SUPPORT  
  
 540896 01 PLUG  
 540896 02 PLUG  
 540922 80 PARTS FOR MOTOR MOUNTING  
  
 540922 81 PARTS FOR MOTOR MOUNTING  
 540934 80 LOCK SWITCH

541784 80 BOWL BODY,COMPL  
541784 81 BOWL BODY,COMPL  
541918 02 SLIDING BOWL BOTTOM  
  
541920 02 SLIDING BOWL BDTOM  
542064 80 COMPRESSION TOOL  
542064 82 COMPRESSION TOOL  
  
542077 80 WDRM GEAR HOUSING OIL  
542102 01 SEPARATOR BOWL  
542103 01 SEPARATOR BOWL  
  
542151 01 SEPARATOR BOWL  
542187 01 SLEEVE  
542290 80 LIFTING TOOL  
  
785017 01 EARTH TERMINAL  
785018 80 SEAL SLEEVE  
785332 02 ADJUSTING WASHER  
  
785868 01 NOZZLE  
785877 01 TUBE NUT  
980874 02 SEALING NIPPLE  
  
2 210936 27 SCREW  
2 210942 15 SCREW  
2 210942 35 SCREW  
  
2 210942 36 SCREW  
2 210942 37 SCREW  
2 210947 08 SCREW  
  
2 210947 16 SCREW  
2 210948 35 SCREW  
2 210953 21 SCREW  
  
2 211721 10 SCREW  
2 211722 24 SCREW  
2 211722 25 SCREW  
  
2 211722 28 SCREW  
2 211724 22 SCREW  
2 212602 23 SCREW  
  
2 216241 17 STUD BOLT  
2 216261 02 STUD BOLT  
2 216261 25 STUD BOLT  
  
2 216261 31 STUD BOLT  
2 216321 16 STUD BOLT  
2 217751 05 SCREW  
  
2 217759 07 SCREW  
2 217771 18 SCREW  
2 218043 04 NUT  
  
2 218043 05 NUT  
2 218043 16 NUT  
2 234121 37 O-RING



(2") SKIM MILK VALVE  
8201042-80



-  ADJUSTING NUT-8201074-04
-  SLEEVE-8201074-02
-  RUBBER RING-8201064-01
-  STEM ASSEMBLY-8201075-80
-  INSERT PLUG
-  CLAMP-42200
-  GASKET-40132
-  BODY-8201074-01
-  CLAMP-42220
-  GASKET-40217