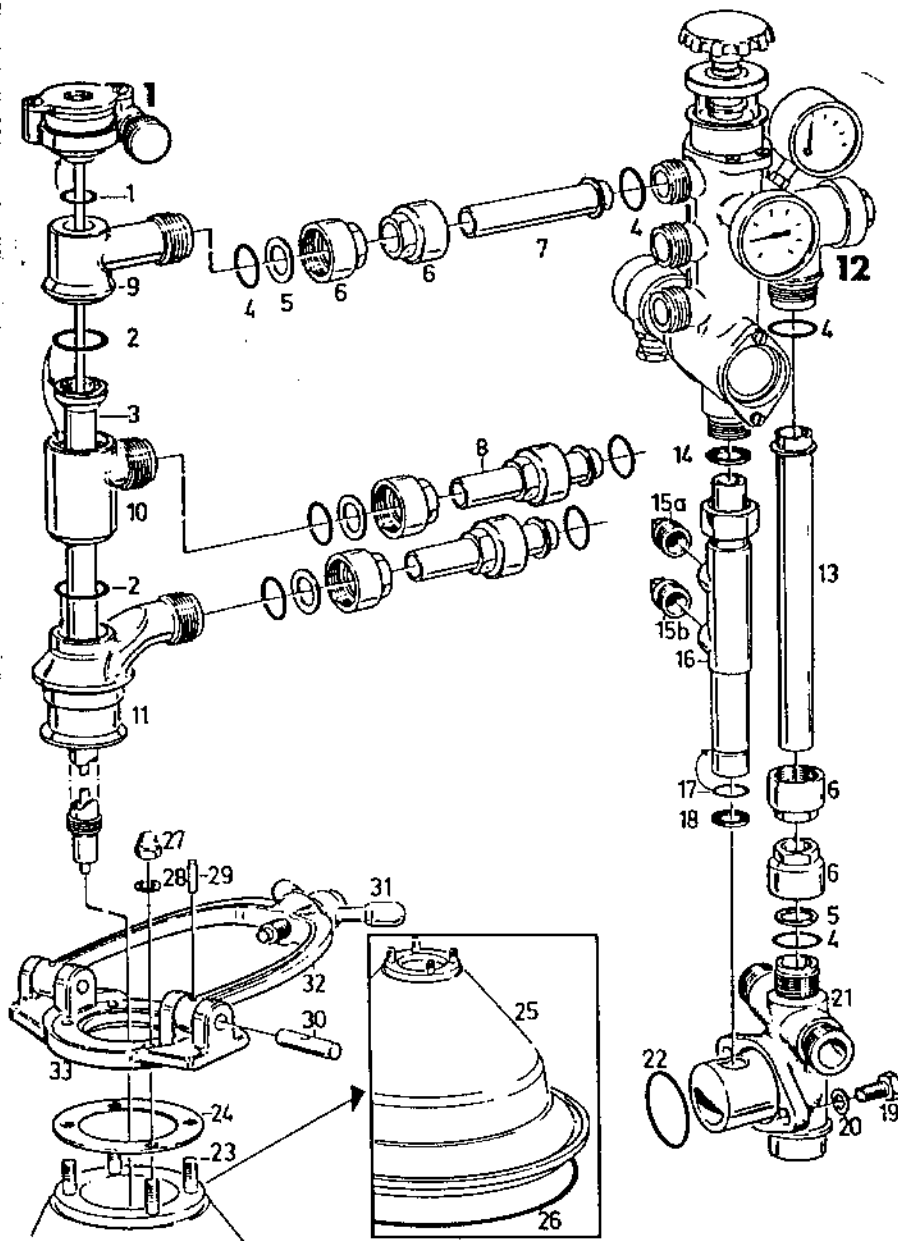


Hutchison-Hayes Separators, Inc.

Model MAPX 205T-20 Parts List With Diagrams

P.O. Box 2965 ♦ Houston, Texas 77252
3520 East Belt ♦ Houston, Texas 77015
(713) 455-9600 ♦ Fax (713) 455-7753

PARTS for INLET and OUTLET. FRAME HOOD.



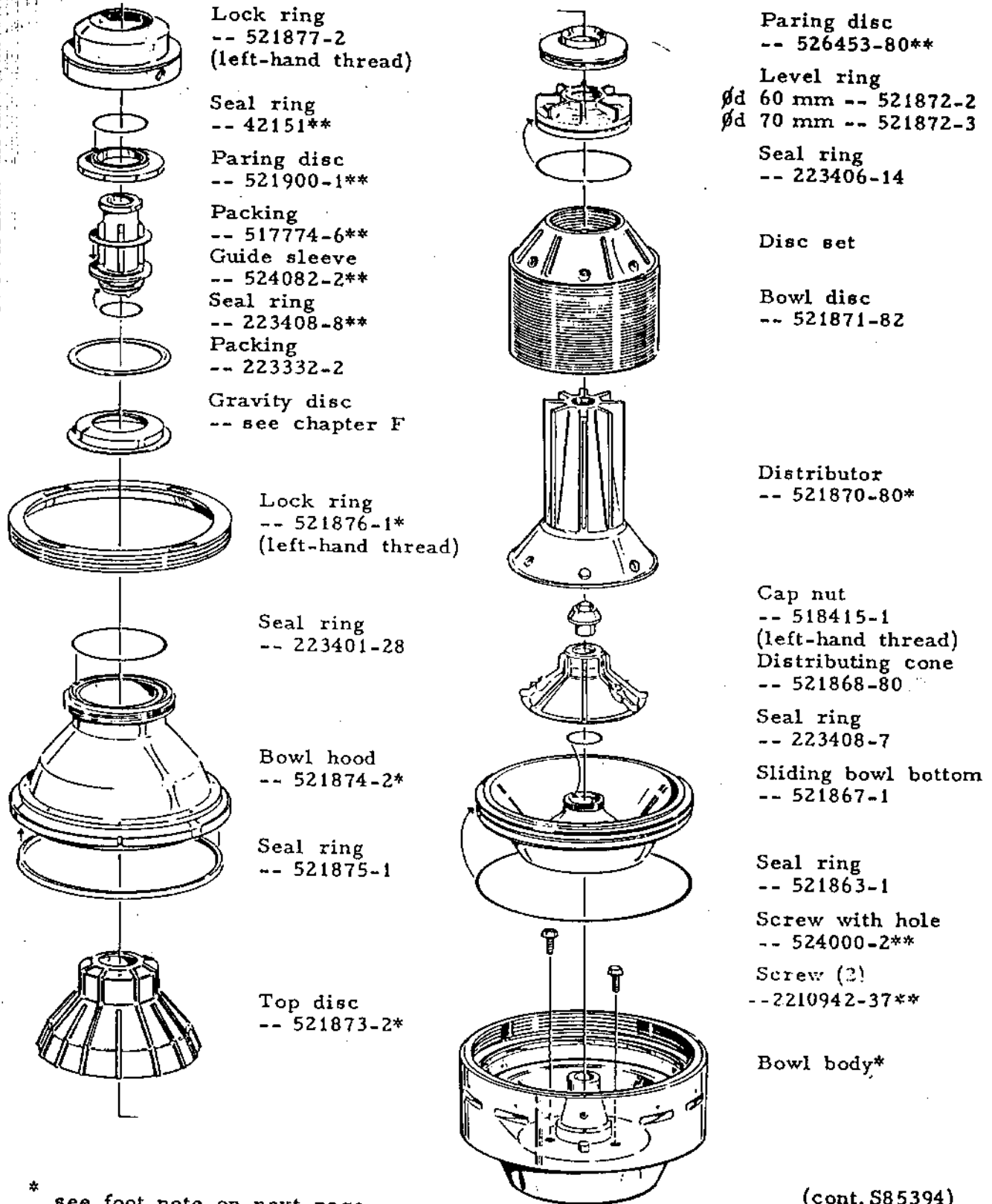
- 1 Flow indicator and seal ring
-- see chapter X
- 2 Packing (2)
-- 190609
- 3 Inlet pipe
-- 524083-80
- 4 Seal ring
-- 68085
- 5 Washer
-- 223144-4
- 6 Coupling nut
-- 528146-2

- 7 Tube
-- 529419-83
- 8 Tube
-- 529419-84
- 9 Connection piece
-- 524081-2
- 10 Connection piece
-- 524080-2
- 11 Connecting housing
-- 524079-2
- 12 Flow regulator
-- see chapter X

- 13 Return tube
-- 529419-82
- 14 Packing
-- 223433-12
- 15a Plug
-- 2522302-3
- 15b Plug
-- 35121
- 16 Support
-- 528011-80
- 17 Seal ring
-- 74067
- 18 Height adjusting ring (0-6)
-- 528147-1
- 19 Screw (2)
-- 2210947-15
- 20 Washer (2)
-- 223101-50
- 21 Catcher
-- 528114-2
- 22 Seal ring
-- 223401-23
- 23 Stud bolt (4)
-- 71143
- 24 Height adjusting ring (0-6)
-- 519607-1
- 25 Frame hood
-- 521887-2
- 26 Seal ring
-- 223402-12
- 27 Cap nut (4)
-- 221854-3
- 28 Washer (4)
-- 20758
- 29 Pin (2)
-- 67783
- 30 Hinge pin (2)
-- 71456
- 31 Clamp screw
-- 43596
- 32 Clamping stirrup
-- 521902-2
- 33 Guide ring
-- 521901-3

(cont. S88091)

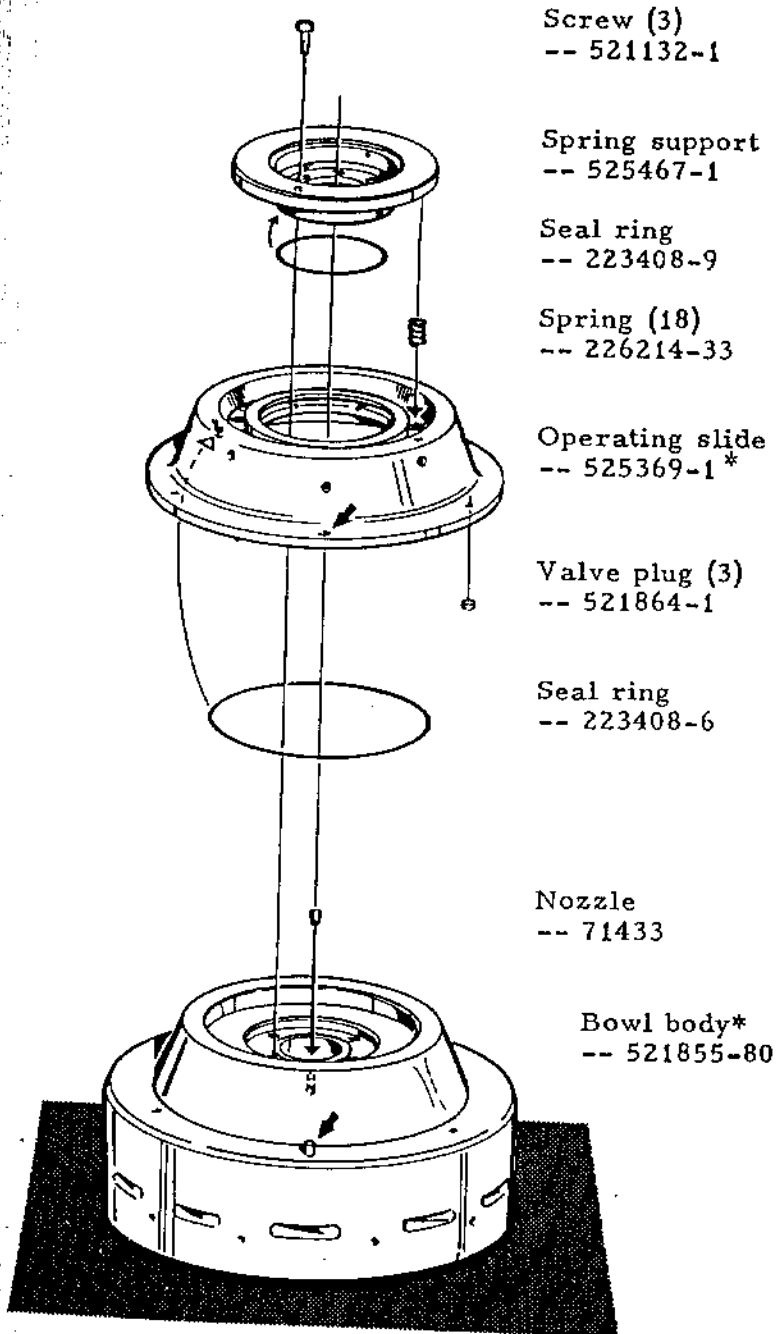
PURIFIER BOWL and CLARIFIER BOWL for TOTAL DISCHARGE,
with cap nut -- 525693-80, without cap nut -- 525693-82



* see foot note on next page.
**

(cont. S85394)

(Bowl for TOTAL DISCHARGE, page 2)



Screw (3)
-- 521132-1

Spring support
-- 525467-1

Seal ring
-- 223408-9

Spring (18)
-- 226214-33

Operating slide
-- 525369-1*

Valve plug (3)
-- 521864-1

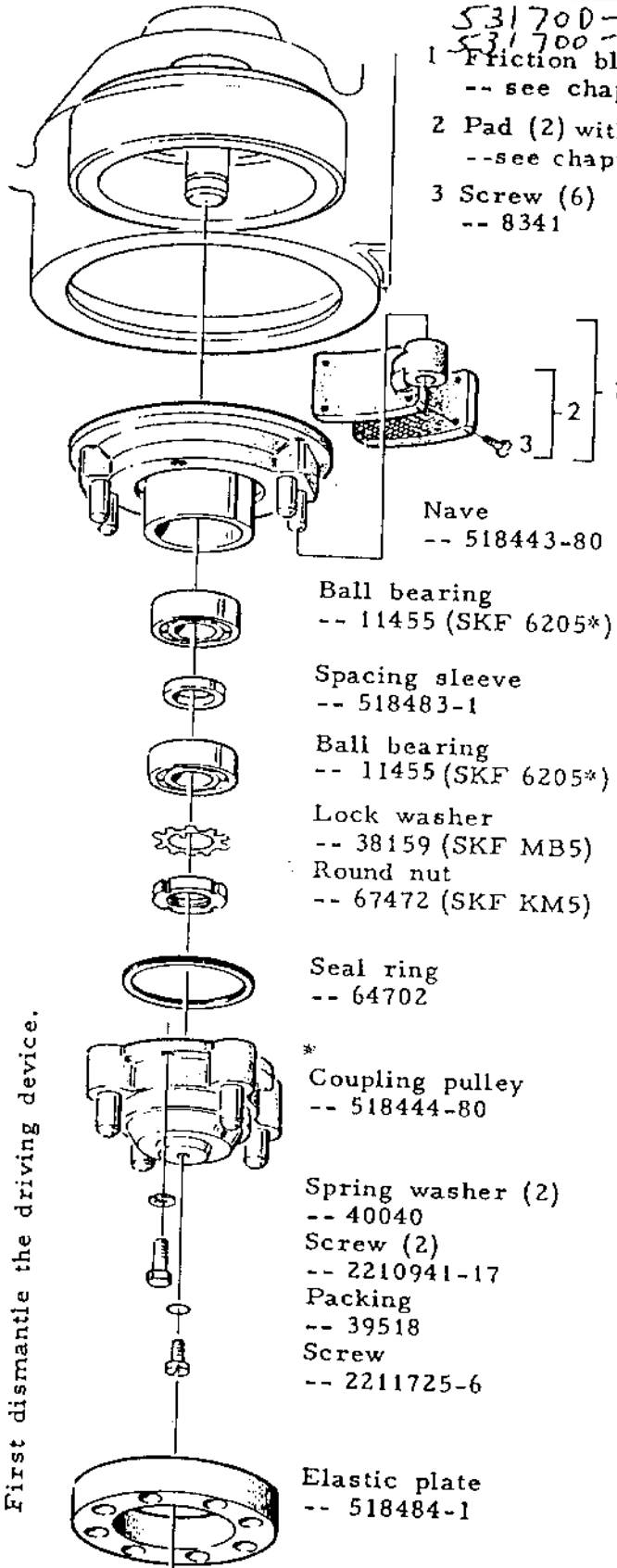
Seal ring
-- 223408-6

Nozzle
-- 71433

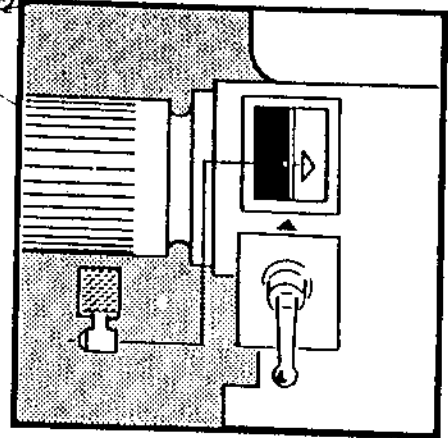
Bowl body*
-- 521855-80

* Exchange necessitates rebalancing -- send the COMPLETE BOWL to an ALFA-LAVAL/DE LAVAL representative.

** Not included in the complete-unit-number.

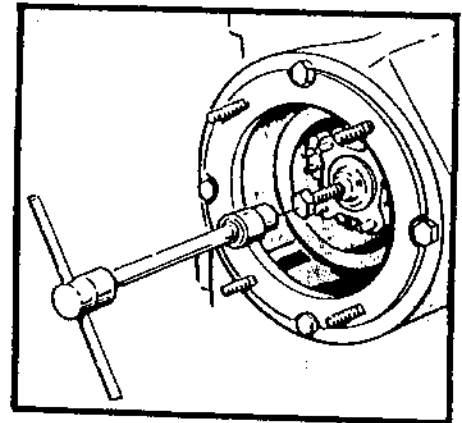


First dismantle the driving device.



The friction blocks can be removed without the necessity of dismantling the rest of the clutch.

To this end loosen the coupling pulley of the motor shaft and push it rearwards. When mounting make sure the blocks can move easily, and push the coupling pulley into position and fix it.



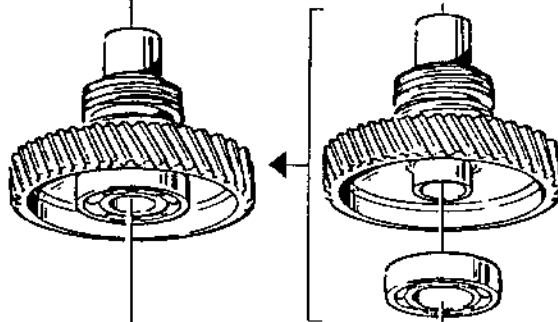
After removing the round nut and refitting the coupling pulley the nave can be eased off the shaft as shown in the illustration.

To assemble, first fit the nave on the shaft and then the inner ball bearing. Pack one-third of the space about the spacing sleeve with ball bearing grease.

*or equivalent bearing of other make.

First dismantle motor, clutch and frame cap (pump)

- Round nut -- 67472 (SKF KM5)
- Lock washer -- 38159 (SKF MB5)
- Ball bearing -- 11455 (SKF MB5)



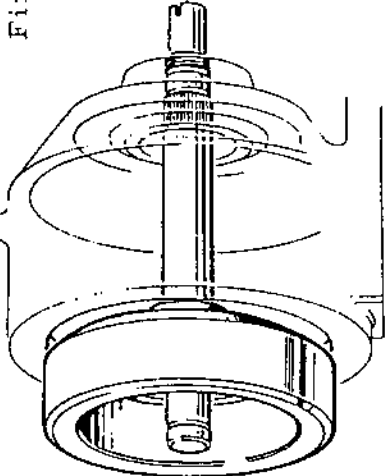
Worm wheel -- see chap. F

Ball bearing -- 8132 (SKF 6208*)

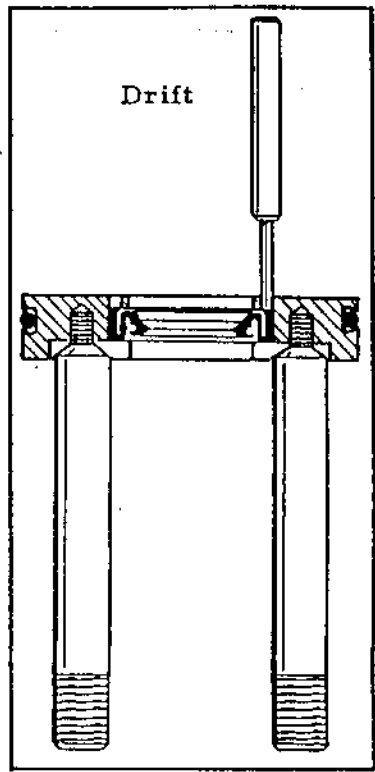
Lip seal ring -- 223521-15

Seal washer -- 526764-1

Seal ring -- 70940



Worm wheel shaft with conveyor pulley
 -- 526752-80 (Spec. 4093-5)
 -- 526752-81 (Spec. 4093-10)**

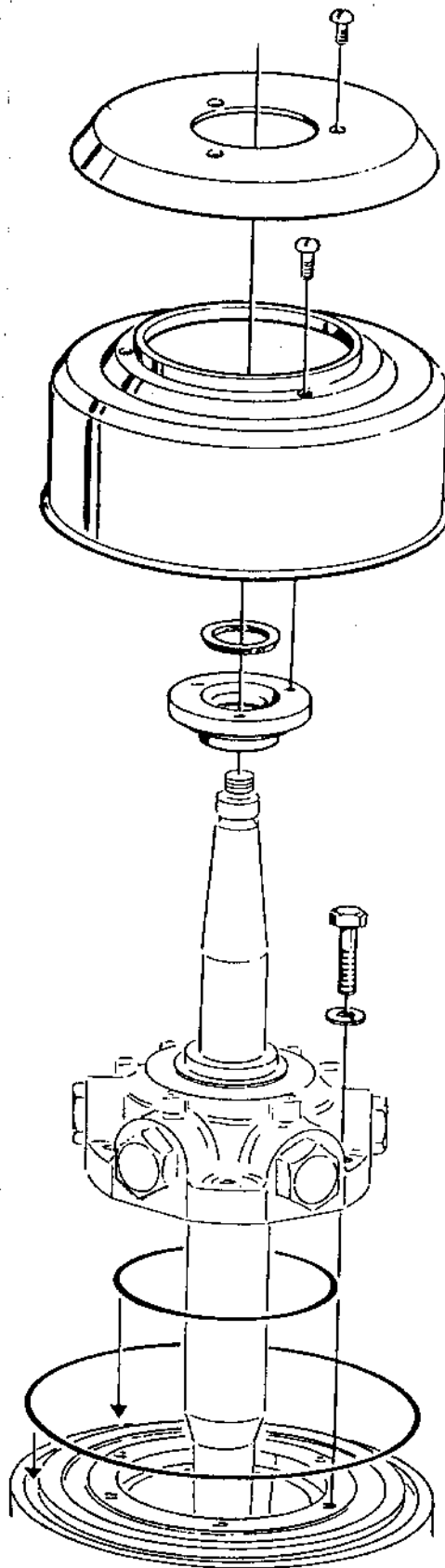


Use the motor guide bolts to draw out the seal washer. When assembling, make sure that the lip seal ring is turned as shown in the illustration. Warm the ball bearing before fitting it on the worm wheel.

Worm wheel
 526723-83 5042
 526723-81 6042

* or equivalent bearing of other make.

** Spec. No. 4093-10 for feed pump with flexible coupling 538514-80 - see chapter X.



Screw (3)
-- 2211721-7

Top shield
-- 518458-1

Screw (6)
-- 2211721-7

Protecting cap
-- 518457-1

Seal ring
-- 64706

Throw-off collar
-- 518438-2
(left-hand thread)

Screw (3)
-- 2210947-4

Spring washer (3)
-- 62094

Bowl spindle

Seal ring
-- 223412-2

Seal ring
-- 223412-4

ASSEMBLY and DISMANTLING
of COMPLETE BOWL SPINDLE

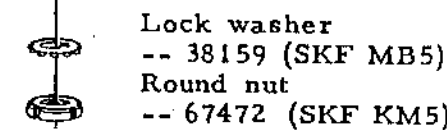
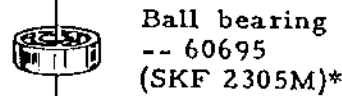
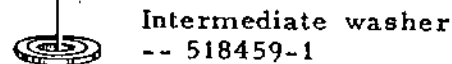
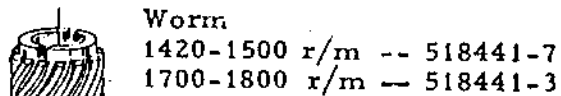
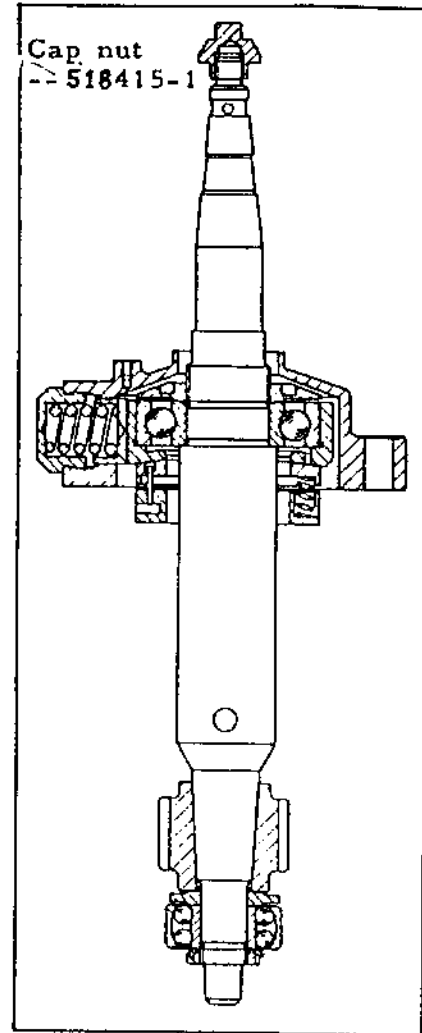
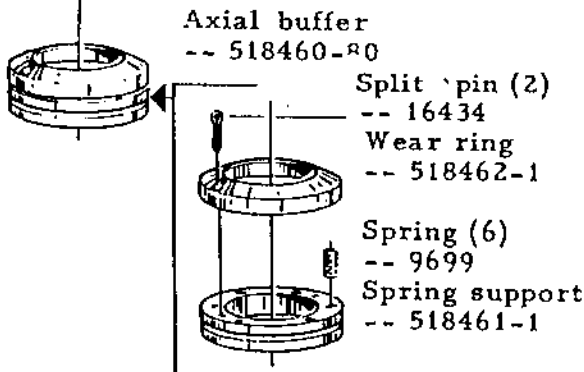
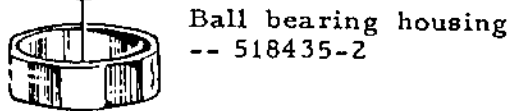
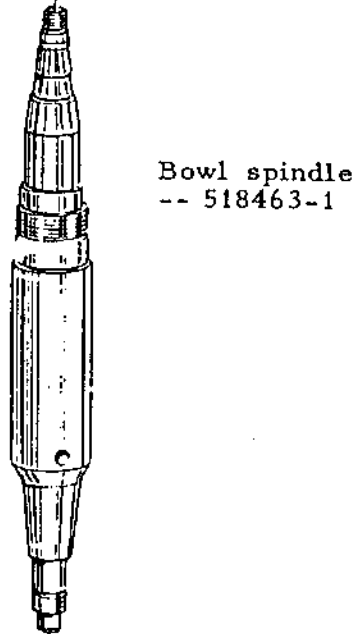
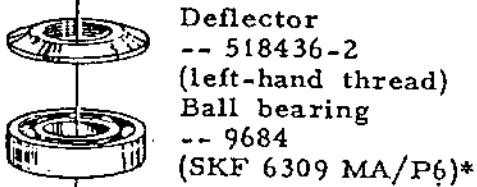
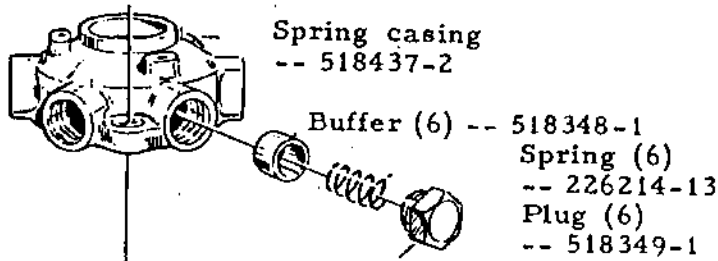
The bowl body, control valve and paring disc device for operating liquid must be removed to make the parts accessible for dismantling.

The throw-off collar has left-hand thread and thus unscrews clockwise.

When lifting the bowl spindle out of the frame be careful not to damage the worm wheel and worm. The brake must be released so that the worm wheel shaft can rotate. To facilitate lifting screw on the cap nut.

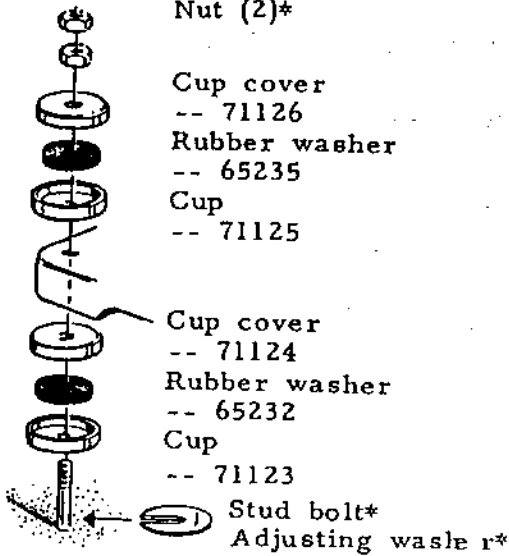
After assembling, check that the bowl spindle turns when the worm wheel shaft is rotated.

BOWL SPINDLE (complete-unit number) for: 1420-1500 r/m -- 526775-84
1700-1800 r/m -- 526775-85



* or equivalent bearing of other make.

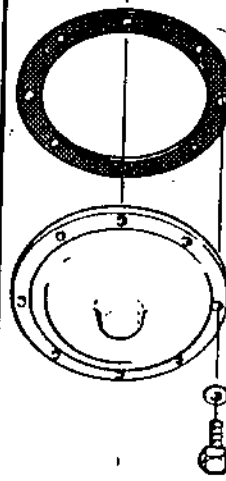
VIBRATION DAMPER



- Nut (2)*
- Cup cover -- 71126
- Rubber washer -- 65235
- Cup -- 71125
- Cup cover -- 71124
- Rubber washer -- 65232
- Cup -- 71123
- Stud bolt*
- Adjusting washer*

* Not included in delivery.

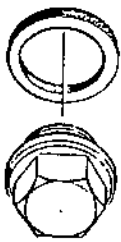
FRAME CAP



- Packing -- 518488-1
- Cap* -- 526754-2
- Washer (7) -- 20758
- Screw (7) -- 2210941-17 (72933)**

* not for machine with pump
** for pump adapter

OIL DRAIN



- Packing -- 518470-1
- Screw -- 520529-2

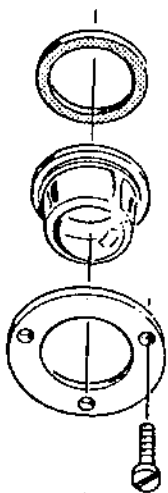
OIL FILLING



- Screw* -- 526686-2

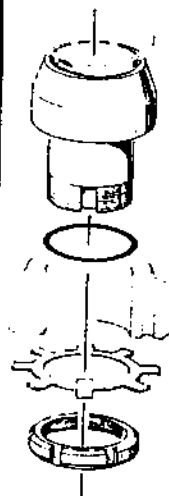
* not for machine with tachometer

OIL GAUGE GLASS



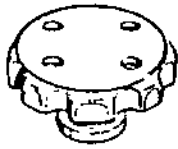
- Packing -- 1104
- Glass -- 8859
- Fixing ring -- 9175
- Screw (3) -- 2211721-8

BOTTOM BUSHING for BOWL SPINDLE



- Bushing -- 518431-2
- Seal ring -- 66554
- Lock washer -- 38723 (SKF MB10)
- Round nut -- 67477 (SKF KM10)

HINGED BOLT



Hand wheel
-- 524392-80



Clamping shoe
-- 71391



Hinged bolt
-- 225444-4

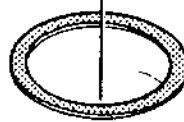


Pin
-- 72474

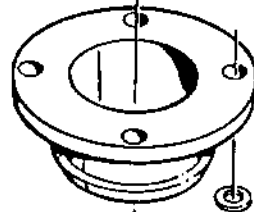


Hinge pin
-- 222137-1

HOSE NIPPLE



Packing
-- 69584



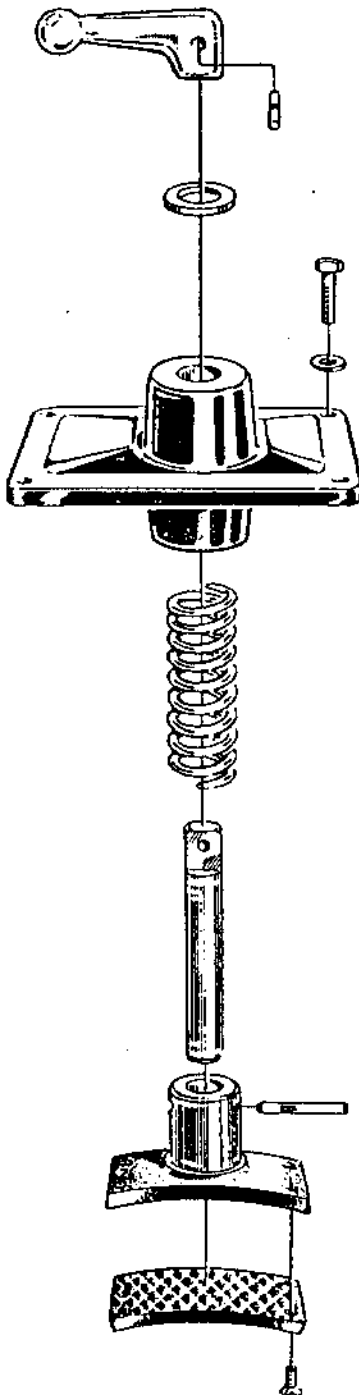
Hose nipple
-- 521897-2



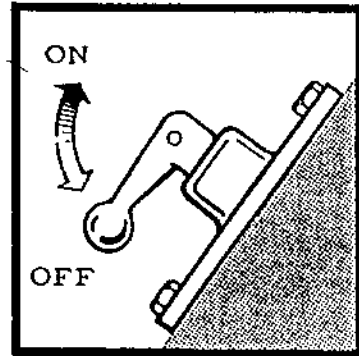
Washer (4)
-- 70490

Screw (4)
-- 73397

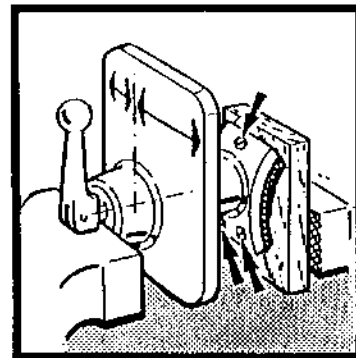
BRAKE - 518475-81 (*-marked parts are not included in the complete number)



- Handle
- 522749-2
- Slotted pin
- 68794
- Washer
- 8115
- Screw (4)
- 72933*
- Washer (4)
- 20758*
- Protecting cap
- 526761-1
- Spring
- 39919
- Spindle
- 519563-1
- Slotted pin
- 222116-6
- Brake shoe
- 518434-2
- Screw (3)
- 8341
- Lining
- 518478-80

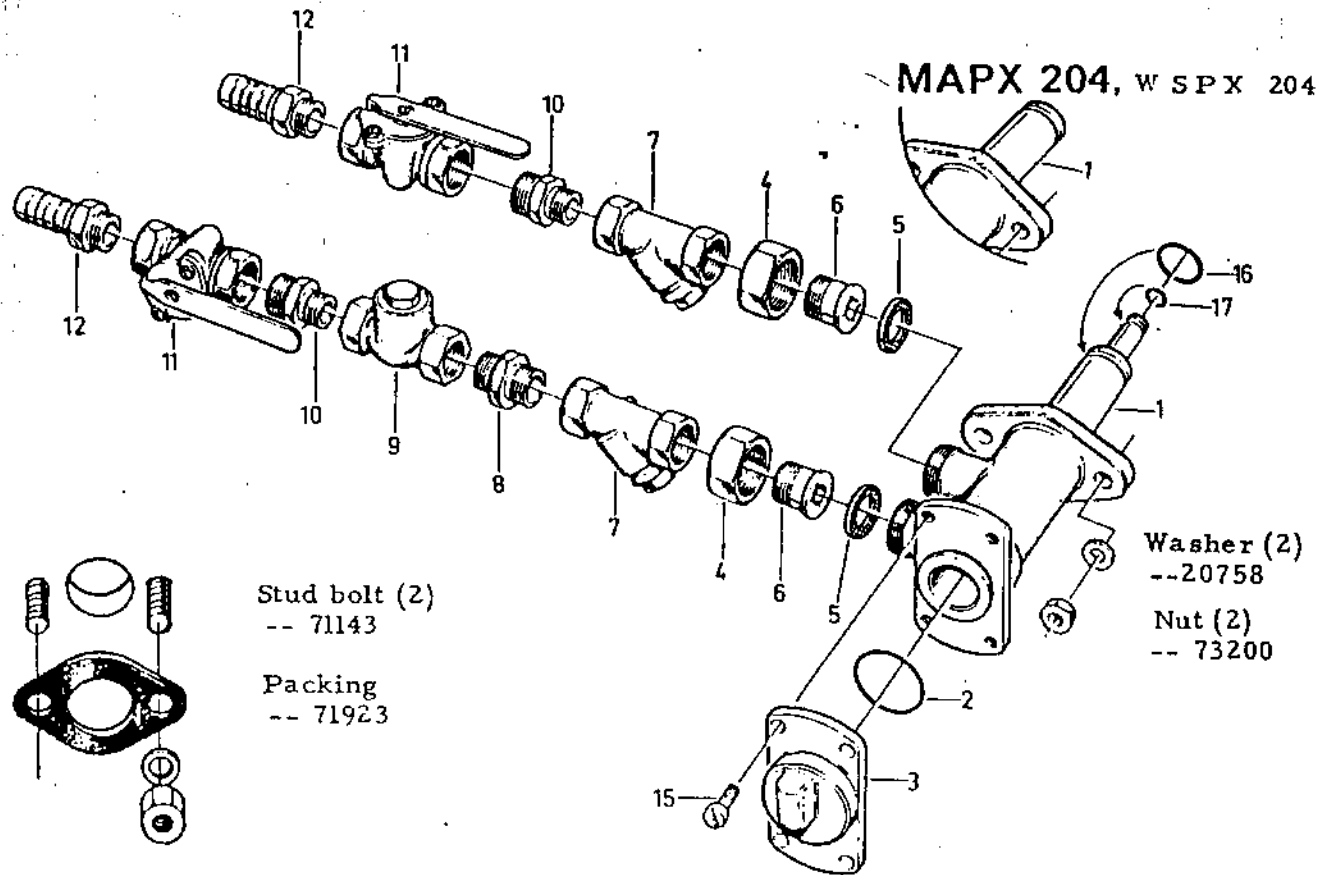


Exchange of lining
Check that brake is released and remove the cap. Exchange the lining. Note that the screws are slotted at both ends (use an angle driver). Fasten the cap with the handle pointing downwards.



Dismantling. Assembling
Clamp the cap in a screw vice, apply the brake, and remove the handle. See that the cap, handle, and brake shoe are turned as shown by the arrows in the figure. Fasten the cap to the machine with the handle pointing downwards.

CONTROL VALVE, complete -- see table



Machine type	MAPX 204 WSPX 204	MAPX 205	MAPX 210	MAPX 313
CONTROL VALVE	526778-83	526778-82	526778-80	526778-81
1 Connection piece	529352-80	516114-84	516114-89	516114-90
16 Seal ring	223406-46	67035	67035	67035
17 Seal ring	--	223404-06	223404-06	223404-06

1 Connection piece
-- see table

2 Seal ring
--64708

3 Cover
--526662-02

4 Coupling nut
--71343

5 Packing
--223310-04

6 Connecting nipple
--71342

7 Strainer
--515482-10

8 Hexagonal nipple
--523127-03

9 Check valve
--2545150-05

10 Hexagonal nipple
--526353-08

11 Ball valve
--526826-02

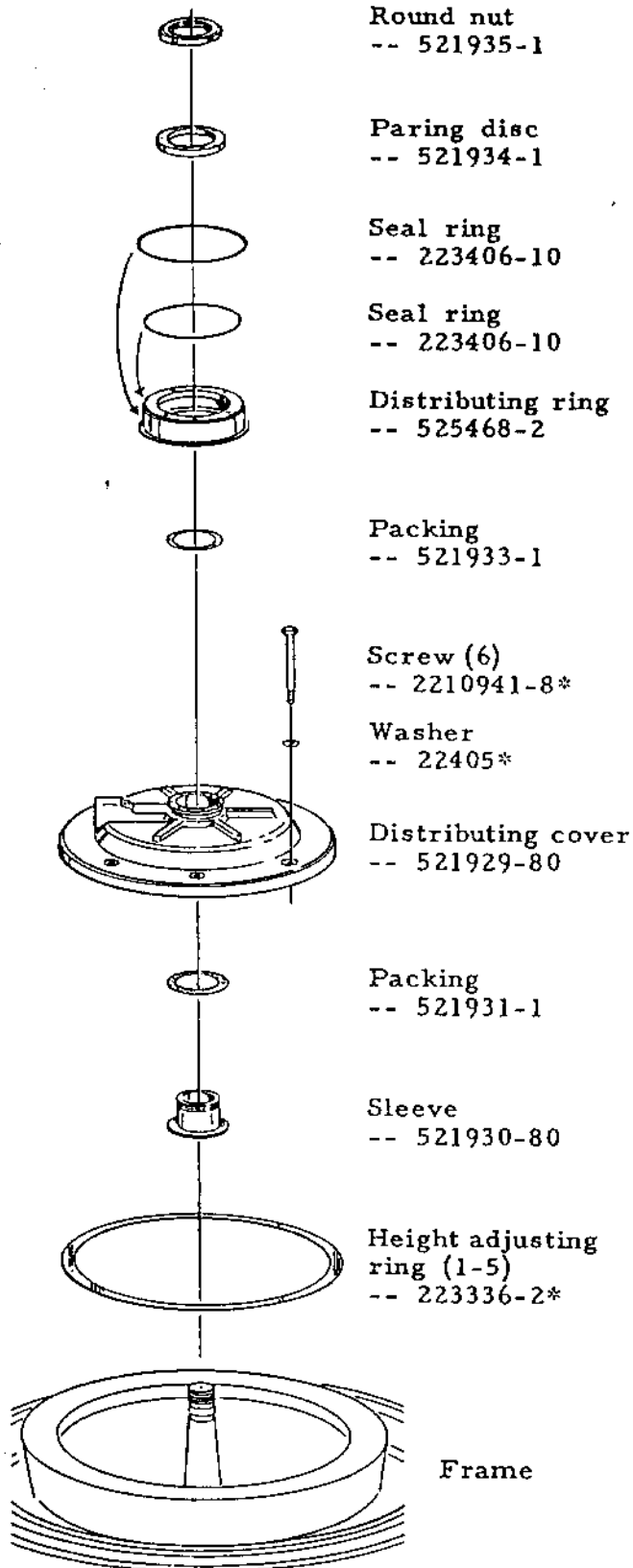
12 Hose nipple
--68956

15 Screw (4)
--2211722-25

16 Seal ring
--see table

17 Seal ring
--see table

PARING DISC DEVICE for OPERATING LIQUID -- 521928-83
 (*-marked parts not included in complete-unit No.)



Round nut
 -- 521935-1

Paring disc
 -- 521934-1

Seal ring
 -- 223406-10

Seal ring
 -- 223406-10

Distributing ring
 -- 525468-2

Packing
 -- 521933-1

Screw (6)
 -- 2210941-8*

Washer
 -- 22405*

Distributing cover
 -- 521929-80

Packing
 -- 521931-1

Sleeve
 -- 521930-80

Height adjusting
 ring (1-5)
 -- 223336-2*

Frame

The distributing ring is fastened to the bowl body by screws which must be loosened from the inside of the opened bowl before the latter can be removed from the spindle - see chapter I. The distributing ring rotates with the bowl, where-as the other parts are stationary.

Dismantling

For dismantling the bowl see chapter I.

Loosen the control valve.

Take out the whole distributing cover and dismantle parts according to illustration.

Cleaning

A prerequisite for satisfactory functioning is careful cleaning of parts in contact with liquid before assembly. This applies particularly to all holes and channels - see Cleaning Agents in chapter L.

Assembling

Fit the parts in the distributing cover.

Make sure to put the height adjusting rings in their place.

Check the height position - see chapter L - before fitting the control valve.

Turn on the feed of operating liquid and check the flow - see chapter L.

REVOLUTION COUNTER - 526712-81



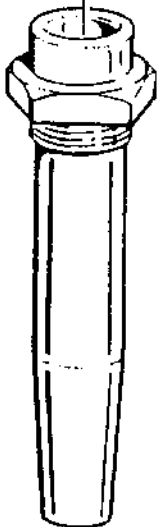
Collar
-- 526694-2



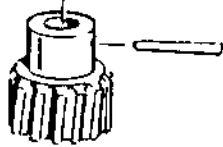
Shaft
-- 526693-1



Snap ring
-- 67542

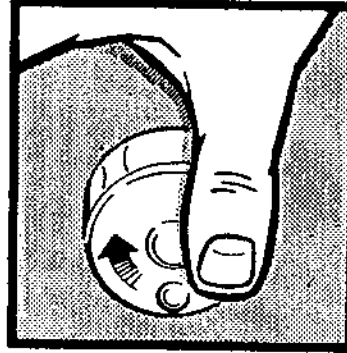


Bushing
-- 526692-2



Pin -- 69226
Pinion -- 69214

The number of revolutions of the worm wheel shaft is transferred via a reduction gear to the revolution counter.



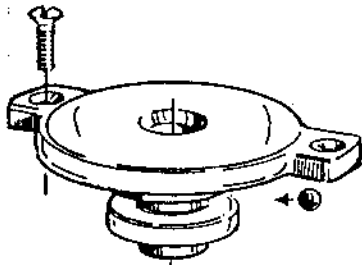
By holding a finger against the rotating protecting cap and counting the number of revolutions for a minute, the number of revolutions of the worm wheel shaft can be checked. Speed data are given in chapter C.

Mounting

Lubricate the shaft and pinion with gear housing oil. See that the bushing is screwed home entirely.



FLOW INDICATOR -- 521923-81



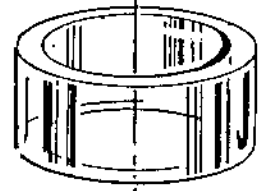
Screw (2) -- 2214301-7

Cover -- 521927-2

Bowl -- 233289-3



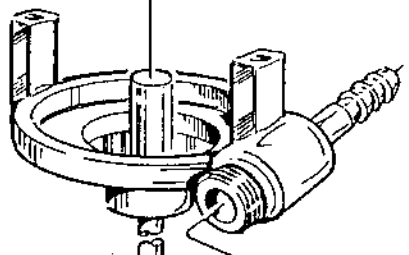
Seal ring -- 519547-1



Sight glass -- 73921



Seal ring -- 519547-1



Housing -- 521924-81



Seal ring -- 67035



Seal ring -- 65586



Nut -- 518346-1



Valve screw -- 523242-80

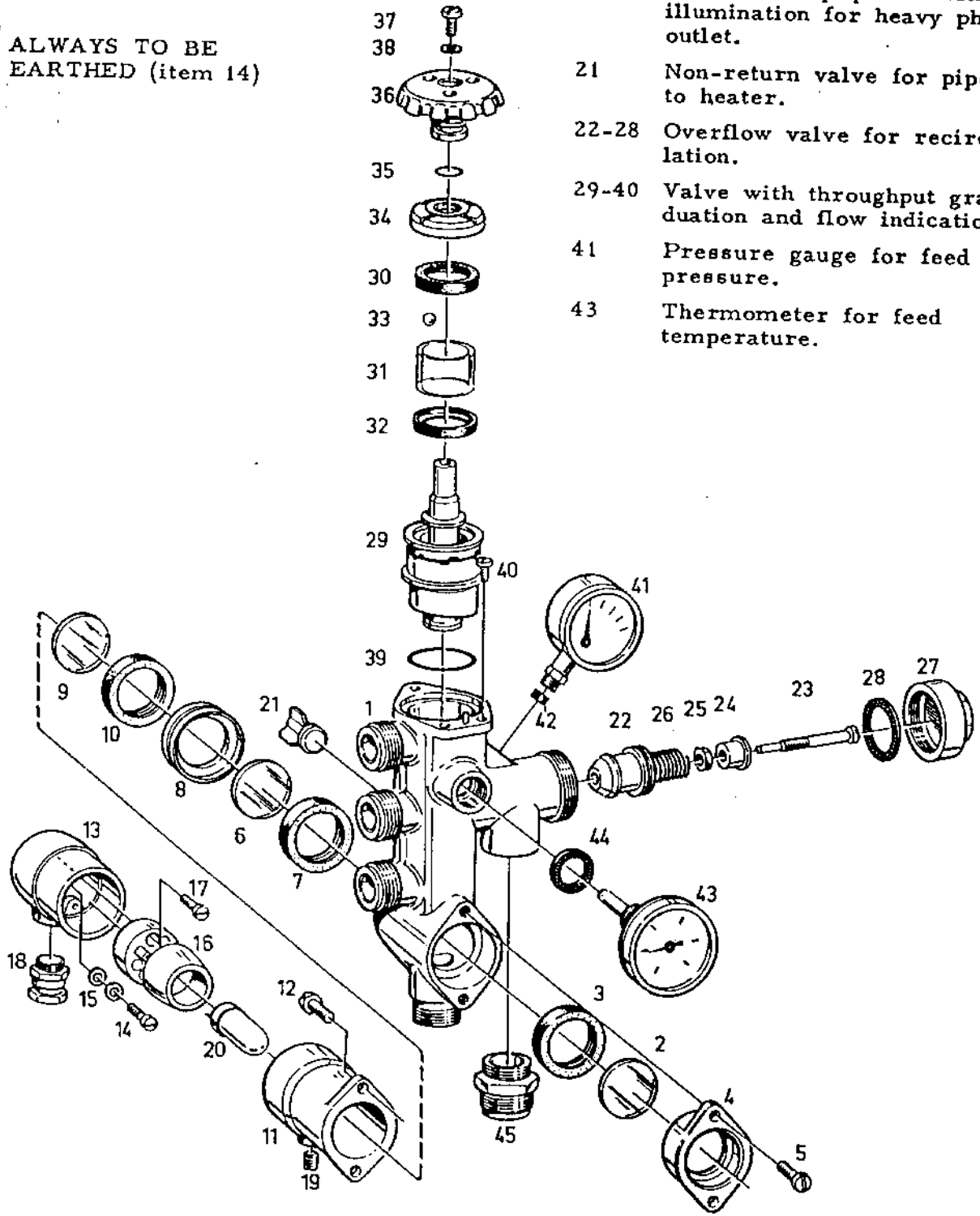
Spare part:

Seal ring	2	519547-1
Seal ring	1	65586
Seal ring	1	67035
Sight glass	1	73921

FLOW REGULATOR -- 528122-80 (with FLOW INDICATOR, NON-RETURN VALVE and OVERFLOW VALVE)

ALWAYS TO BE EARTHED (item 14)

- 1 Connection piece
- 2-20 Inspection equipment with illumination for heavy phase outlet.
- 21 Non-return valve for pipe to heater.
- 22-28 Overflow valve for recirculation.
- 29-40 Valve with throughput graduation and flow indication.
- 41 Pressure gauge for feed pressure.
- 43 Thermometer for feed temperature.

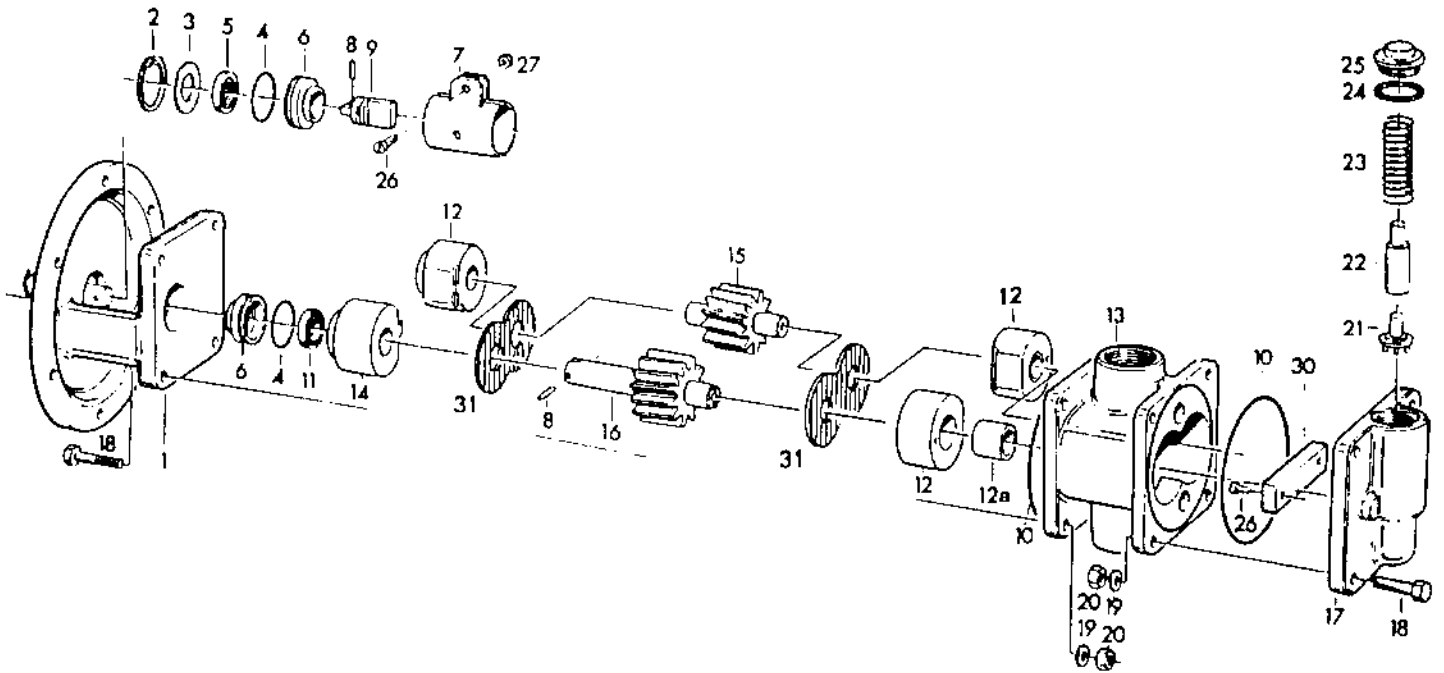


(cont. S87532)

Parts list for flow regulator -- 528122-80

- | | |
|------------------------------------|---|
| 1 Connection piece
-- 528005-80 | 28 Packing
-- 223435-11 |
| 2 Sight glass
-- 519549-1 | 29 Plug
-- 528149-80 |
| 3 Seal ring
-- 526872-1 | 30 Seal ring
-- 73920 |
| 4 Flange
-- 526870-2 | 31 Sight glass
-- 73921 |
| 5 Screw (2)
-- 2211721-8 | 32 Seal ring
-- 73920 |
| 6 Sight glass
-- 519549-1 | 33 Ball
-- 233289-2 |
| 7 Seal ring
-- 526872-1 | 34 Cover
-- 528009-1 |
| 8 Spacing ring
-- 526871-1 | 35 Rubber ring
-- 223406-11 |
| 9 Sight glass
-- 519549-1 | 36 Hand wheel
-- 524392-83 |
| 10 Seal ring
-- 526872-1 | 37 Screw
-- 2211721-8 |
| 11 Lamp housing
-- 526869-2 | 38 Washer
-- 223101-48 |
| 12 Screw (2)
-- 2211721-8 | 39 Seal ring
-- 14238 |
| 13 Support
-- 526703-2 | 40 Screw (3)
-- 2211721-8 |
| 14 Earthing screw
-- 17812 | 41 Pressure gauge (2.5 kg/cm ²)
-- 73895 |
| 15 Washer (2)
-- 25357 | 42 Rubber bushing
-- 223431-2 |
| 16 Lamp holder
-- 526719-1 | 43 Thermometer
-- 64002 |
| 17 Screw
-- 17812 | 44 Packing (1-3)
-- 9281 |
| 18 Cable fitting
-- 18085 | 45 Reducing nipple
-- 528007-2 |
| 19 Set screw
-- 72876 | |
| 20 Glow-lamp
(25W) | Set of spares |
| 21 Valve cone
-- 528127-2 | 7 Seal ring (2)
-- 526872-1 |
| 22 Valve cone
-- 526501-2 | 9 Sight glass
-- 519549-1 |
| 23 Spindle
-- 528148-1 | 28 Packing
-- 223435-11 |
| 24 Spring support
-- 526503-1 | 31 Sight glass
-- 73921 |
| 25 Nut
-- 2218043-2 | 32 Seal ring (2)
-- 73920 |
| 26 Spring
-- 226214-61 | 35 Seal ring
-- 223406-11 |
| 27 Cover
-- 528008-2 | 39 Seal ring
-- 14238 |

Pump



FEED PUMP compl. No. (See number plate on pump)
TILLOPPSPUMP (Se pumpskylten)

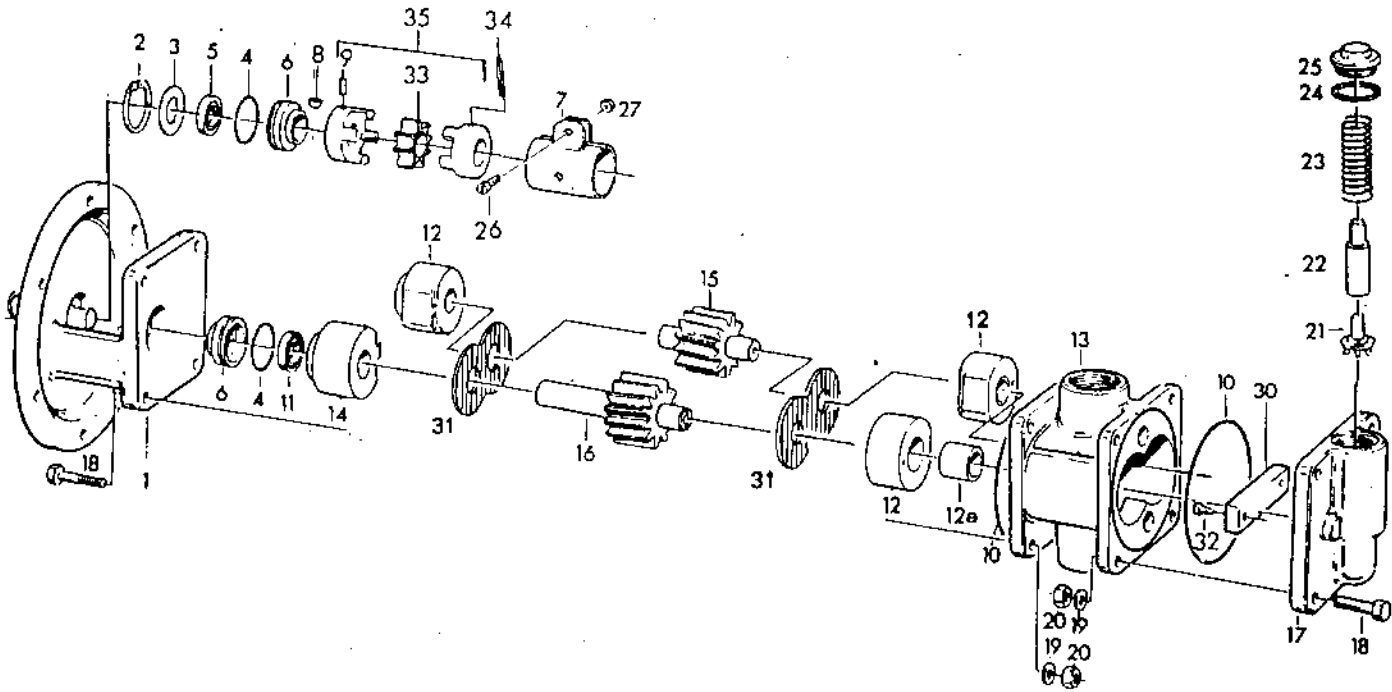
526150-89 526150-88 526150-87

Pos Ref.	Part No. Detaljnr.	Part No. Detaljnr.	Part No. Detaljnr.	Qty. Ant.	Description	Benämning
1	525162-02	525162-02	525162-02	1	Bearing bracing	Lagersköld
2	223642-22	223642-22	223642-22	1	Snap ring	Spårring
3	526127-01	526127-01	526127-01	1	Washer	Bricka
4	223406-30	223406-30	223406-30	2	Seal ring	Tätningarring
5	223521-14	223521-14	223521-14	1	Lipseal ring	Läpptätningarring
6	526120-01	526120-01	526120-01	1	Sleeve	Hylsa
7	526121-80	526121-80	526121-80	2	Sleeve half	Hylshalva
8	222119-02	222119-02	222119-02	2	Tubular pin	Rörpinne
9	526122-01	526122-01	526122-01	1	Shear coupling	Brytkoppling
10	223406-40	223406-40	223406-40	2	Seal ring	Tätningarring
11	223521-12	223521-12	223521-12	1	Lipseal ring	Läpptätningarring
12	535741-80	535741-80	535741-80	3	Bearing w. bushing	Lager m. bussning
12a	523644-03	523644-03	523644-03	4	Bushing	Bussning
13	526129-02	526129-02	526129-02	1	Pump housing	Pumphus
14	535742-80	535742-80	535742-80	1	Bearing w. bushing	Lager m. bussning
15	526136-01	526136-03	526136-04	1	Impeller	Pumphjul
16	526137-01	526137-03	526137-04	1	Impeller w. shaft	Pumphjul m. axel
17	526139-02	526139-02	526139-02	1	Shield	Sköld
18	2210941-01	2210941-01	2210941-01	8	Screw	Skruv
19	20758	20758	20758	8	Washer	Bricka
20	73200	73200	73200	8	Nut	Mutter
21	525124-01	525124-01	525124-01	1	Valve cone	Ventilkägla
22	526026-01	526026-01	526026-01	1	Guide spindle	Styrspindel
23	226214-65	226214-65	226214-65	1	Spring	Fjäder
24	518470-02	518470-02	518470-02	1	Packing	Packning
25	525125-01	525125-01	525125-01	1	Plug	Plugg
26	2211721-08	2211721-08	2211721-08	1	Screw	Skruv
27	2218043-02	2218043-02	2218043-02	1	Nut	Mutter
30	526141-04	526141-01	None		Spacer	Distansstycke
31	535743-04	535743-04	535743-04	2	Wear gasket	Slittätning

					S p a r e s	R e s e r v d e l a r
4	223406-30	223406-30	223406-30	2	Seal ring	Tätningarring
5	223521-14	223521-14	223521-14	1	Lipseal ring	Läpptätningarring
9	526122-01	526122-01	526122-01	2	Shear coupling	Brytkoppling
10	223406-40	223406-40	223406-40	2	Seal ring	Tätningarring
11	223521-12	223521-12	223521-12	1	Lipseal ring	Läpptätningarring
12a	523644-03	523644-03	523644-03	4	Bushing	Bussning
31	535743-04	535743-04	535743-04	2	Wear gasket	Slittätning

					T o o l	V e r k t y g
526326-05	526326-05	526326-05	526326-05	1	Drift for tub. pin	Dorn för rörpinne

PUMP



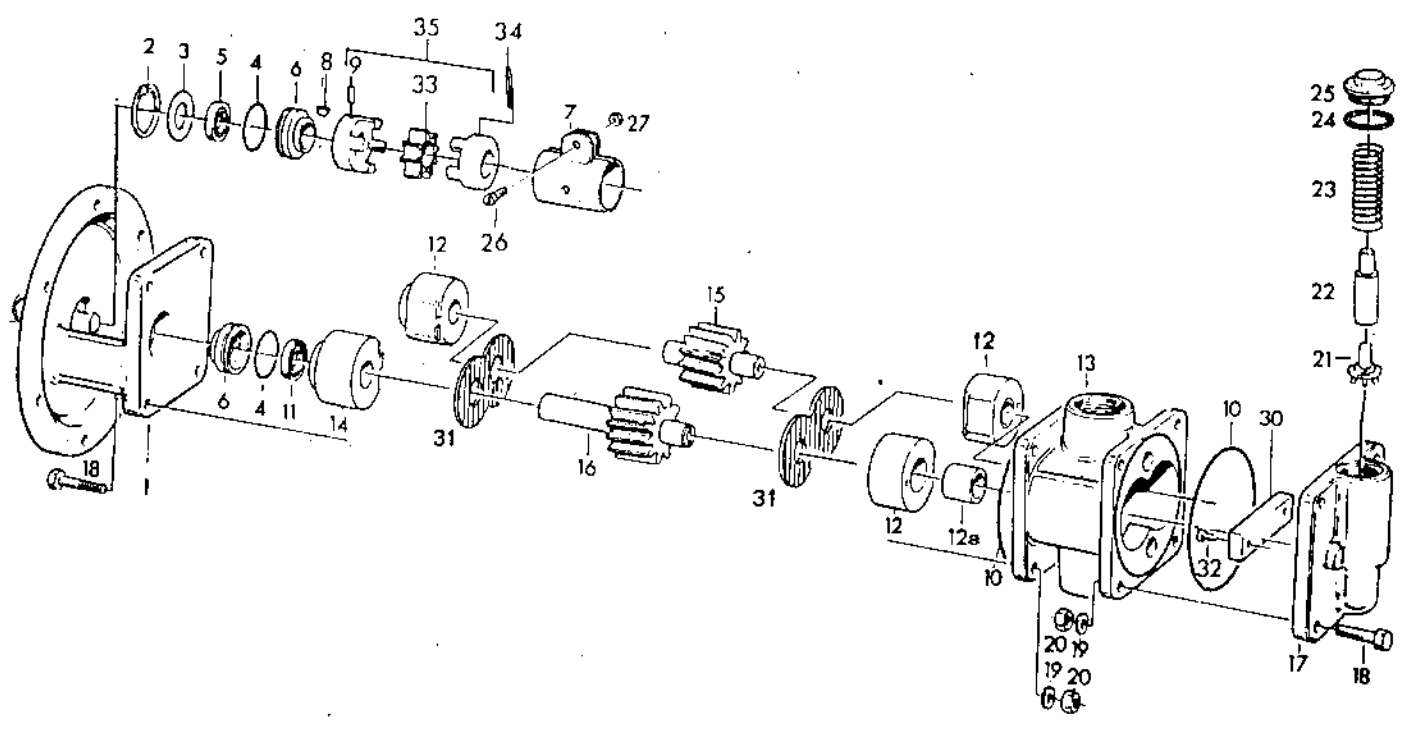
Ref 1-35	Qty.	Pump number					Description Pump, complete
		538718-80	538718-81	538718-82	538718-83	538719-80	
1	1	525162-02	525162-02	525162-02	525162-02	526132-02	Bearing bracing
2	1	223642-22	223642-22	223642-22	223642-22	223642-22	Snap ring
3	1	526127-01	526127-01	526127-01	526127-01	526127-01	Washer
4	2	223406-30	223406-30	223406-30	223406-30	223406-30	Seal ring
5	1	223521-14	223521-14	223521-14	223521-14	223521-12	Lipseal ring
6	2	538533-01	538533-01	538533-01	538533-01	538533-01	Sleeve
7	2	538535-01	538535-01	538535-01	538535-01	538535-01	Sleeve half
8	1	69368	69368	69368	69368	69368	Key
9	1	221581-04	221581-04	221581-04	221581-04	221581-04	Grub screw
10	2	223406-40	223406-40	223406-40	223406-40	68011	Seal ring
11	1	223521-12	223521-12	223521-12	223521-12	223521-12	Lipseal ring
12	3	535741-80	535741-80	535741-80	535741-80	535781-80	Bearing with bushing
12a	3	523644-03	523644-03	523644-03	523644-03	523644-04	Bushing
13	1	526138-02	526138-02	526129-02	526129-02	526142-02	Pump housing
14	1	535742-80	535742-80	535742-80	535742-80	535780-80	Bearing with bushing
	1	523644-03	523644-03	523644-03	523644-03	523644-04	Bushing
15	1	526136-07	526136-05	526136-04	526136-03	526143-01	Impeller
16	1	538539-06	538539-05	538539-04	538539-03	538543-01	Impeller with shaft
17	1	526139-02	526139-02	526139-02	526139-02	526147-02	Shield
18	8	2210941-01	2210941-01	2210941-01	2210941-01	2210947-01	Screw
19	8	20758	20758	20758	20758	223101-50	Washer
20	8	73200	73200	73200	73200	72946	Nut
21	1	525124-01	525124-01	525124-01	525124-01	525139-02	Valve cone
22	1	526026-01	526026-01	526026-01	526026-01	526148-01	Guide spindle
23	1	226214-65	226214-65	226214-65	226214-65	226214-66	Spring
24	1	518470-02	518470-02	518470-02	518470-02	518470-02	Packing
25	1	525125-01	525125-01	525125-01	525125-01	525125-01	Plug
26	1	221131-03	221131-03	221131-03	221131-03	2211721-08	Screw
27	1	221803-28	221803-28	221803-28	221803-28	2218043-02	Nut
30	1	-	526141-05	-	526141-01	-	Spacer
31	2	535743-04	535743-04	535743-04	535743-04	535743-05	Rulon gasket
32	2	-	2211721-08	-	2211721-08	-	Screw
33	1	538574-02	538574-02	538574-02	538574-02	538574-02	Toothed coupling disc
34	1	222119-30	222119-30	222119-30	222119-30	222119-30	Slotted spring pin
35	1	538574-80	538574-80	538574-80	538574-80	538574-80	Flexible coupling

S94278E-2

(1232269A)

X

Pump



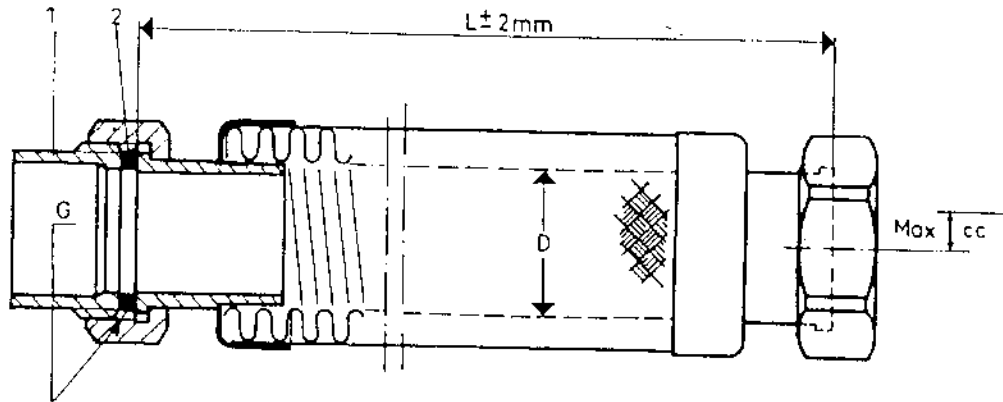
Ref. 1-35	Qty.	Pump number			Description Pump, complete
		538718-84			
1	1	525162-02			
2	1	223642-22			Bearing bracing
3	1	526127-01			Snap ring
4	2	223406-30			Washer
5	1	223521-14			Seal ring
6	2	538533-01			Lipseal ring
7	2	538535-01			Sleeve
8	1	69368			Sleeve half
9	1	221581-04			Key
10	2	223406-40			Grub screw
11	1	223521-12			Seal ring
12	3	535741-80			Lipseal ring
12a	3	523644-03			Bearing with bushing
13	1	526129-02			Bushing
14	1	535742-80			Pump housing
	1	523644-03			Bearing with bushing
15	1	526136-01			Bushing
16	1	538539-01			Impeller
17	1	526139-02			Impeller with shaft
18	8	2210941-01			Shield
19	8	20758			Screw
20	8	73200			Washer
21	1	525124-01			Nut
22	1	526026-01			Valve cone
23	1	226214-65			Guide spindle
24	1	518470-02			Spring
25	1	525125-01			Packing
26	1	221131-03			Plug
27	1	221803-28			Screw
30	1	526141-04			Nut
31	2	535743-04			Spacer
32	2	2211721-08			Rulon gasket
33	1	538574-02			Screw
34	1	222119-30			Toothed coupling disc
35	1	538574-80			Slotted spring pin
					Flexible coupling

5042750 2 MARY 205

(1232269A)



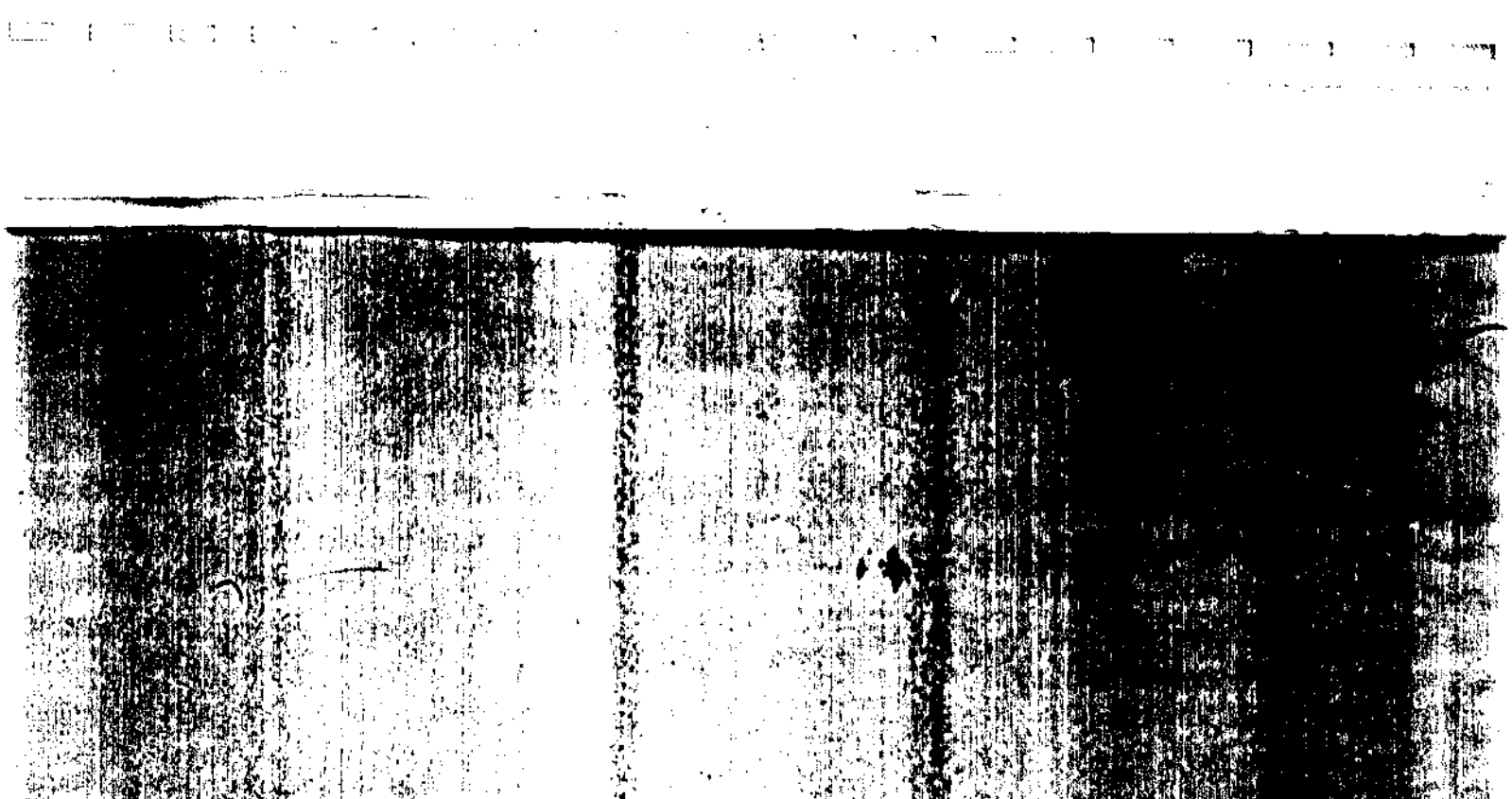
FLEXIBLE STEEL HOSE FOR OIL



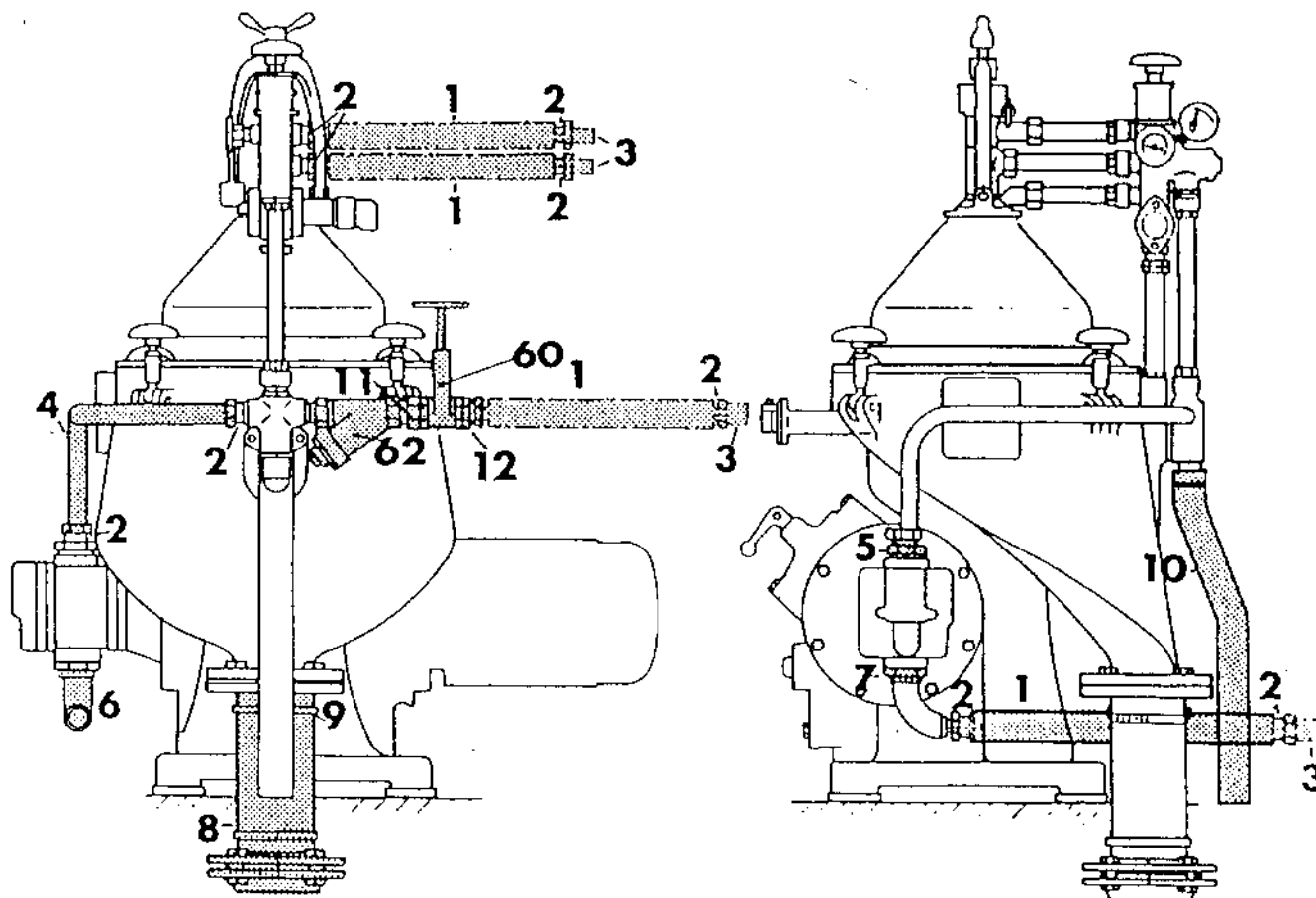
COMPLETE HOSE	Packing (2)	Nipple (1)	Hose, only	Lenght (L)		Inner diameter (D)		Thread (G)	Max. cc	
				mm	inch	mm	inch		mm	inch
526560-81	223433-12	526566-1	526560-80	400	15 3/4	32	1 1/4	R 1 1/8	13	1/2
526561-81	68592	526567-1	526561-80	400	15 3/4	38	1 1/2	R 1 1/2	13	1/2
526860-81	223435-12	527944-1	526860-80	400	15 3/4	50	2	R 2	13	1/2
538270-81	223318-06	526566-1	538270-80	400	15 3/4	25	1	R 1 1/8	13	1/2
534115-81	68592	525667-01	534115-80	400	15 3/4	38	1 1/2	R 1 1/2	13	1/2

STEEL HOSE

X



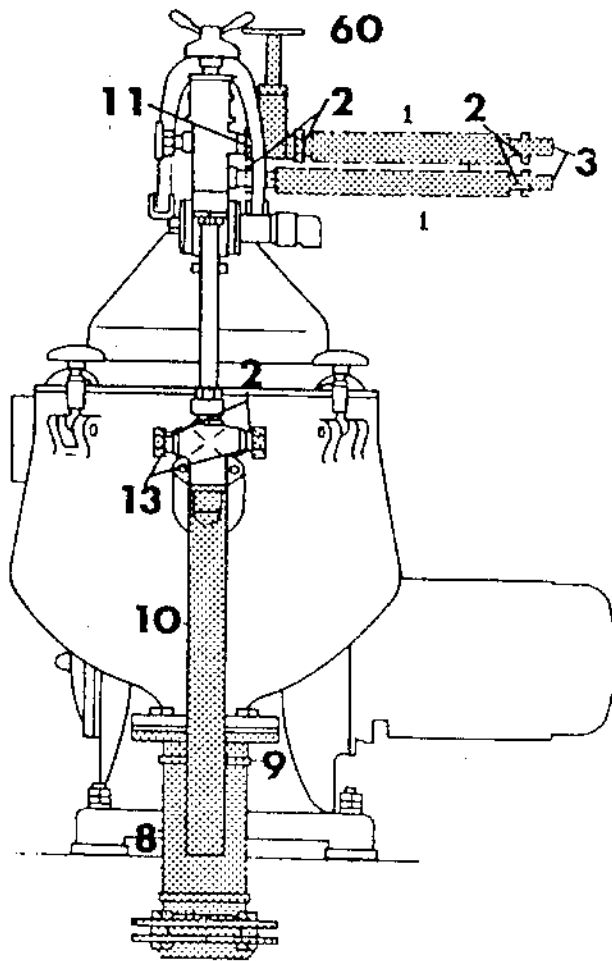
SET OF FITTINGS e.g. MAPX 205T (for machine with pump) -- 528285-81



- 1 Connection hose (4)
-- 529483-80
- 2 Packing (11)
-- 223433-12
- 3 Nipple (4)
-- 526566-1
- 4 Pipe
-- 529300-80
- 5 Hexagonal nipple
-- 528173-2
- 6 Elbow pipe
-- 526468-2
- 7 Tube nut
-- 65313
- 8 Connection hose, compl.
-- 524016-80
with:
Counter flange
-- 2532201-22
Packing
-- 69584
Hose nipple with flange
-- 521897-2
Hose clip
-- 73466

- Hose
-- 73467
- Screw (4)
-- 2210949-2
- Washer (8)
-- 70490
- Nut (4)
-- 2218043-4
- 9 Hose clip
-- 73466
- 10 Hose (1 1/2" x 550 mm)
-- 69812
Hose clip (2)
-- 69169
- 11 Hexagonal nipple
-- 529504-2
- 12 Hexagonal nipple
-- 529503-2
- 60 Valve
-- 2543109-17
- 62 Strainer
-- 526559-2
- Set of spares
2 Packing (11)
-- 223433-12

SET OF FITTINGS e.g. MAPX 205T (for machine without pump) -- 528285-83



- 1 Connection hose (2)
-- 529483-80
- 2 Packing (7)
-- 223433-12
- 3 Nipple (2)
-- 526566-1
- 8 Connection hose
-- 524016-80
- with:
- Flange
-- 2532201-22
- Packing
-- 69584
- Hose nipple with flange
-- 521897-2
- Hose clip
-- 73466
- Hose
-- 73467
- Nut (4)
-- 2218043-4
- Screw (4)
-- 2210949-2
- Washer (8)
-- 70490
- 9 Hose clip
-- 73466
- 10 Hose (1 1/2" x 550 mm)
-- 69812
- Hose clip (2)
-- 69169
- 11 Hexagonal nipple
-- 529504-2
- 12 Hexagonal nipple
-- 529503-2
- 13 Shut-off washer (2)
-- 529557-1
- Coupling nut (2)
-- 526558-1
- 60 Valve
-- 2543109-17
- Set of spares
- 2 Packing (7)
-- 223433-12

The set of spares listed below includes only parts belonging to the standard equipment of the machine. Spare parts for special equipment are found together with the description of the latter in chapter X. In both cases make it a rule always to keep consuming articles in stock. Avoid incorrect dispatch observe the ordering routine described in chapter A.

The figure in bracket indicates the quantity (if more than one).

INLET. OUTLET (chapter I)

68085 Seal rings
(7) for connecting pipe
223404-6 for inner feed pipe
67035 for outer feed pipe
223402-12 for frame hood

Packings
223433-12 for support
190609 (2) for pipe

BOWL (chapter I)

- Bowl disc -- see Bowl
- Nozzle -- see Bowl
226214-33 Spring (5) for operating slide
521864-1 Valve plug (3)

Seal rings
223401-28 (2) for bowl hood
223408-6 (2) for operating slide
223406-14 (2) for level ring
223408-8 for lower paring disc
42151 for upper paring disc
223408-7 (2) for sliding bowl bottom
521863-1 (2) for sliding bowl bottom
223408-9 (2) for spring support
521875-1 for bowl hood

Packings
223332-2 for gravity disc
517774-6 for paring disc

POWER TRANSMISSION (chapter P)

9597 Friction pad (2) incl. 6
screws No. 8341 (50 c/s)
519619-81 Friction pad (2) incl. 6
screws No. 8341 (60 c/s)
223521-15 Lip seal ring for worm
wheel shaft

Springs
9699 (6) for axial buffer
226214-13 (6) for top bearing

Seal rings
64702 for coupling pulley
223412-2 for spring casing
64706 for throw-off collar
223412-4 for top bearing cap
70940 for seal washer

FRAME PARTS

518478-80 Lining incl. 3 screws
8341 for brake
518859-82 Touch-up paint (tin 1/8 1)

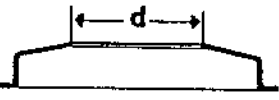
Seal rings
66554 for bottom bushing
64708 for control valve
223406-10 (4) for distributing ring

Packings
521933-1 for control paring disc
68937 (3) for control valve
521931-1 for paring disc device

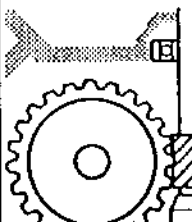
SPECIAL SPARE PART
NUMBERS

Listed below are some spare part numbers which for practical reasons have not been inserted in the chapter where they properly belong.

Gravity discs for
purifier bowl
(comp. chapter I)

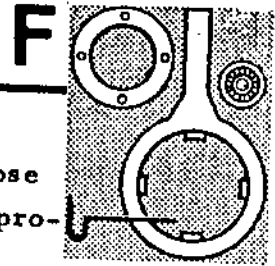
	Hole diameter in mm (stamped-on)		Part number
		65	522700-3
	67	522700-5	
	70	522700-7	
	73, 5	73707	
	79	522700-8	
	87	522700-9	
	90	522700-18	

Power trans-
mission
(comp. chapter P)

	Speed of worm wheel shaft in r. p. m.	1420 - 1500	1700 - 1800
	Worm wheel	526723-83	526723-81
Friction block (2) with pad and screws	527981-82	531700-80	

The speed of the worm wheel shaft is indicated on the type plate.

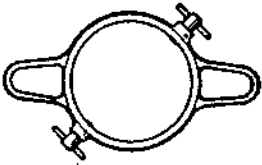
Always check that the old worm gear part and the new one have the same number of teeth.



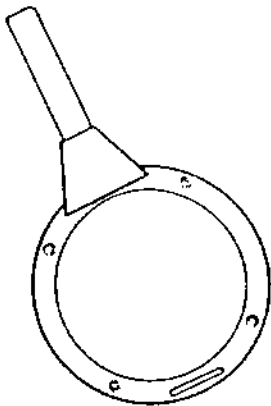
SET OF TOOLS

The special tools for the bowl are preferably hung up as close to the machine (or cleaning place) as possible. If a tool is provided with left-hand screwed joint, this has been specially pointed out in the dismantling and assembling instructions. Notification in this respect is not made where right-hand thread is concerned.

TOOLS for BOWL



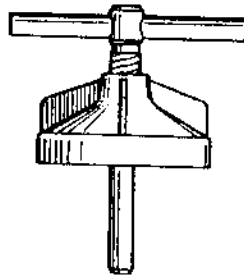
Spanner for lock ring
-- 520404-80



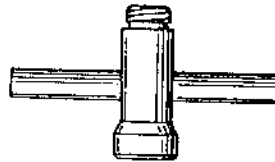
Spanner for lock ring
-- 521977-80



Tin mallet
-- 528927-1



Lifting tool for bowl hood
-- 521980-80



Lifting tool for bowl body, distributor and distributing cone
-- 521984-80



Lifting tool for sliding bowl bottom.
Hook spanner for control paring disc
-- 521983-80

TOOLS for POWER TRANSMISSION



Driving-off tool
for worm and
ball bearing
-- 519293-2



Lining-up tool
for motor
-- 525339-1
(Not included
when motor has
been lined up
before delivery)

GENERAL TOOLS

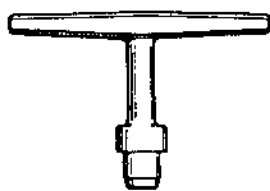


Drift
small -- 2279
large -- 37666



Pin spanner for
round nuts
-- 72719

TOOLS for INLET



Pin spanner
for inlet pipe
-- 523103-3