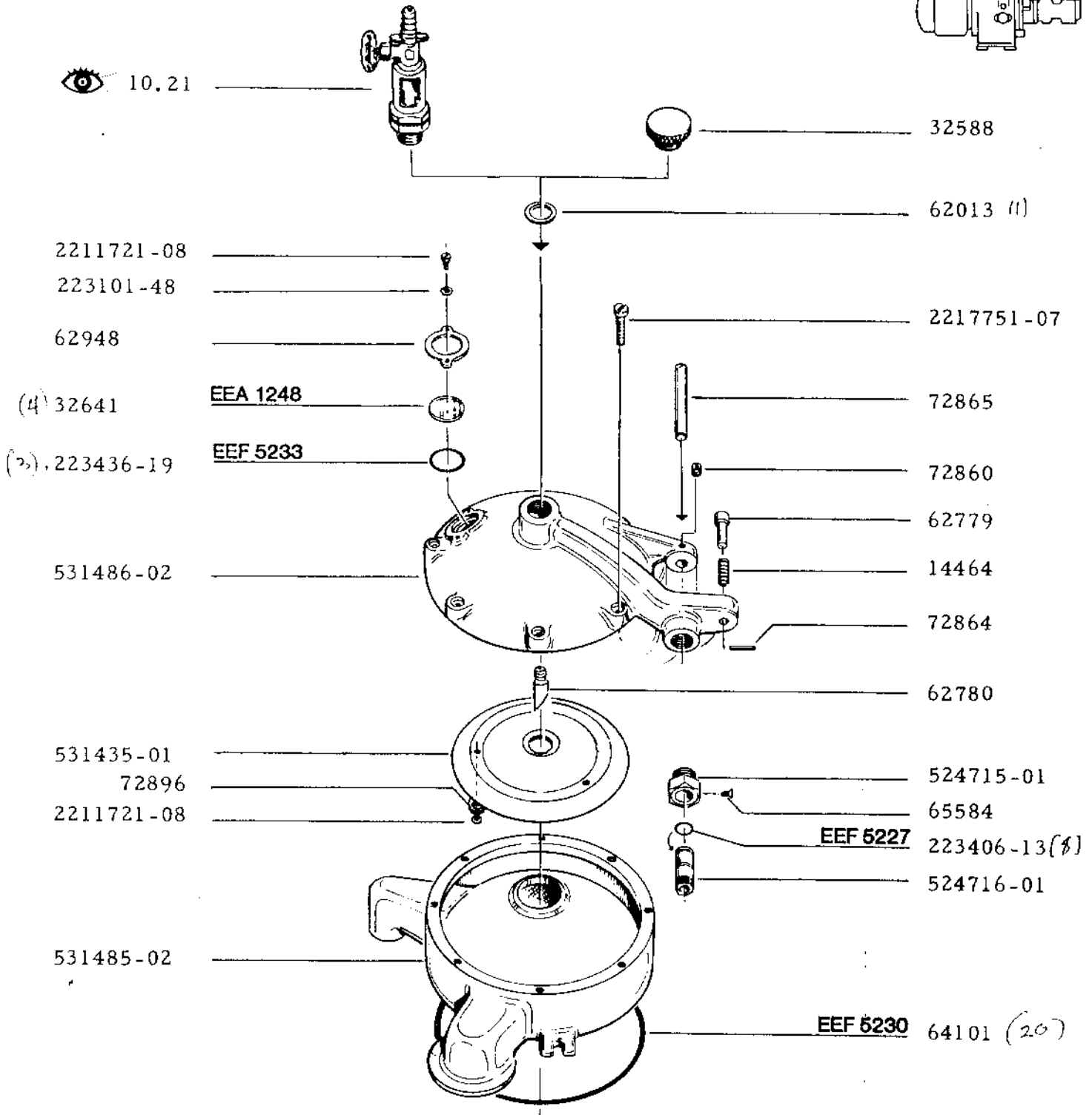
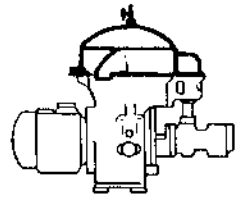
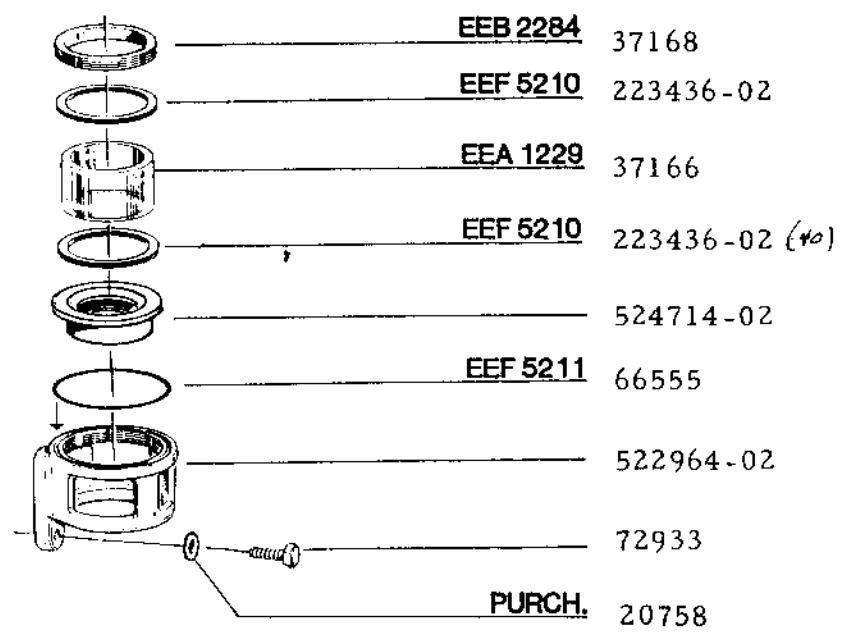
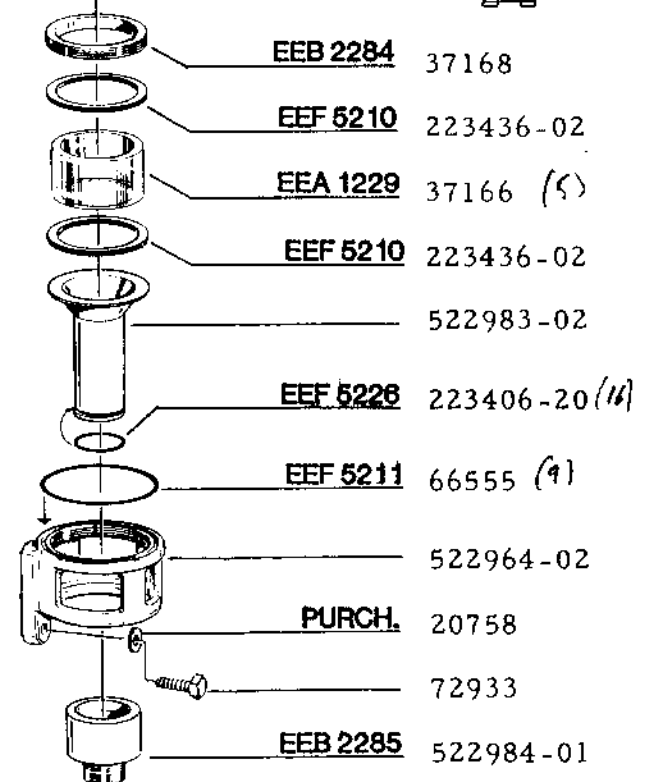
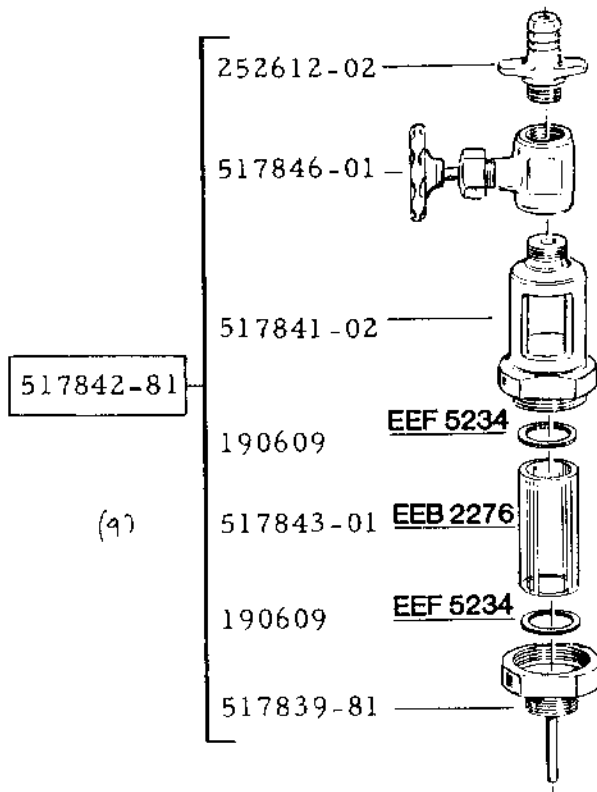
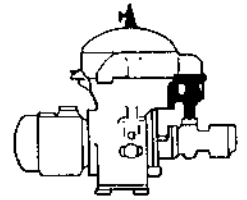


Hutchison-Hayes Separators, Inc.

Model MAB 103B Parts List With Diagrams

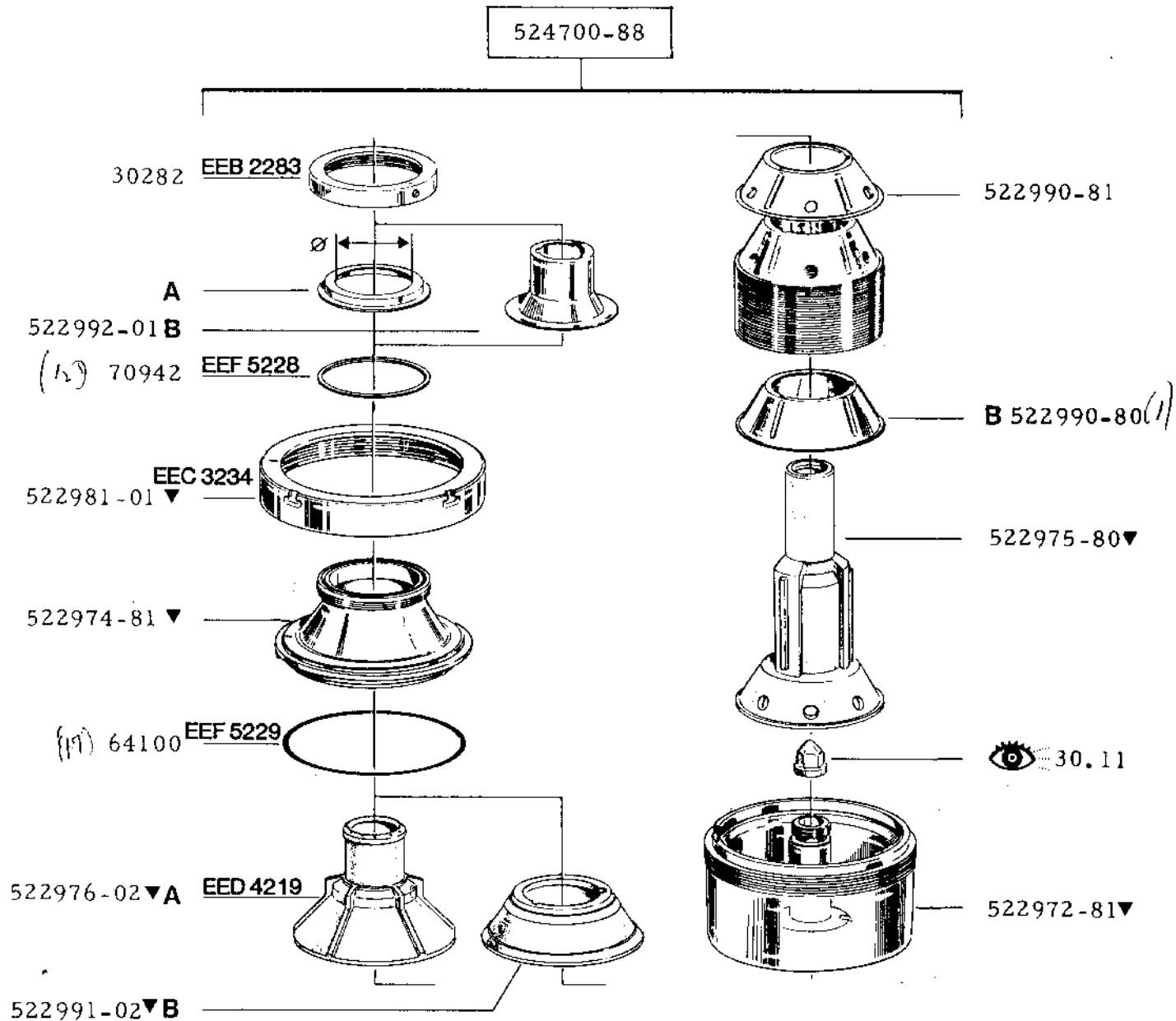
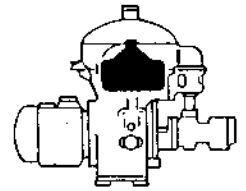
P.O. Box 2965 ♦ Houston, Texas 77252
3520 East Belt ♦ Houston, Texas 77015
(713) 455-9600 ♦ Fax (713) 455-7753





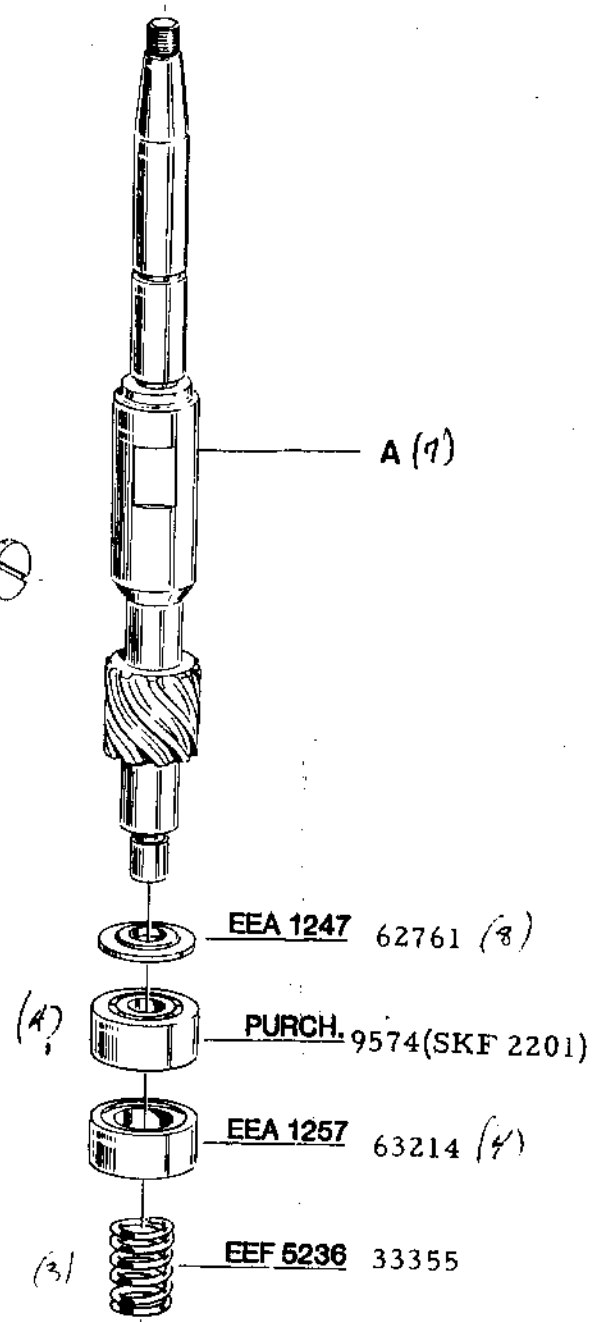
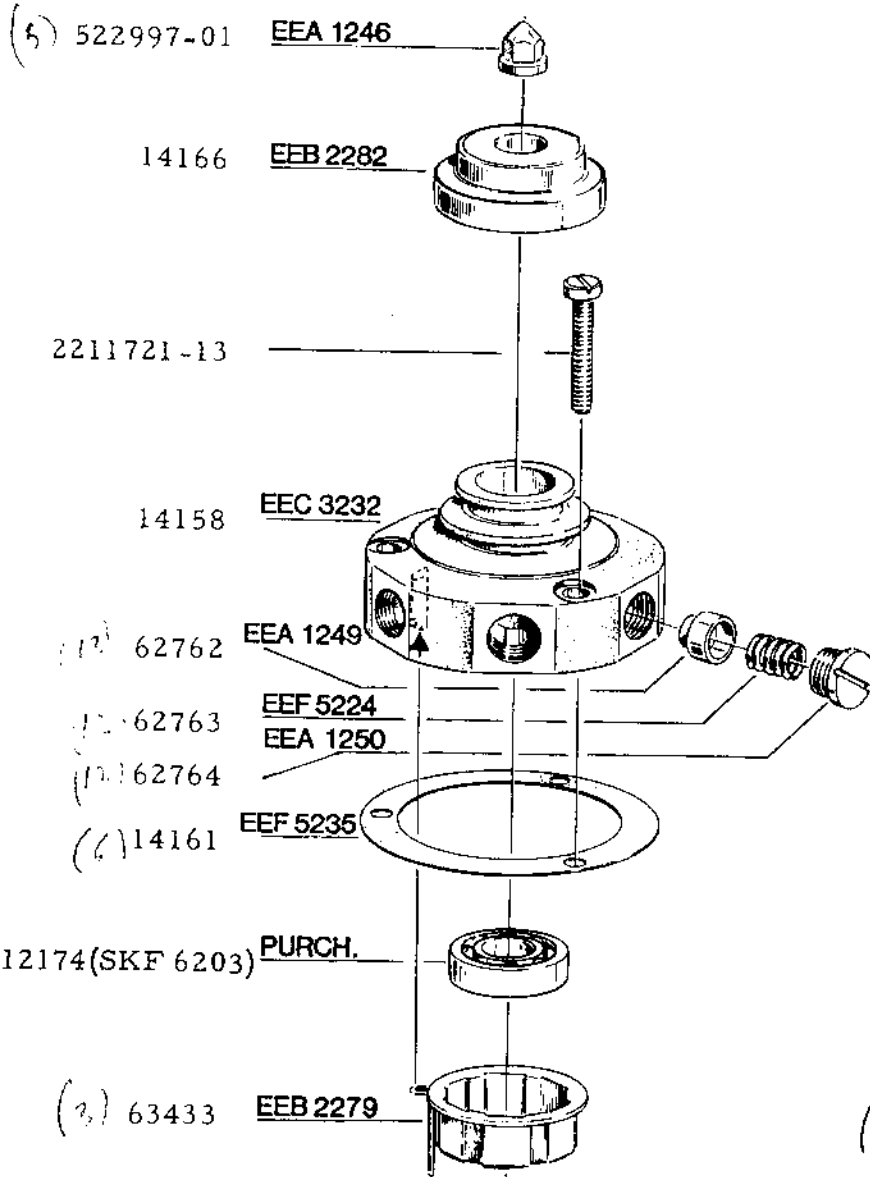
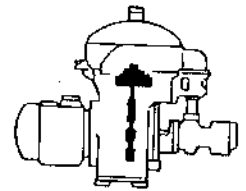
A Purifier bowl
 Bol purificateur
 Purifikatortrommel

B Clarifier bowl
 Bol clarificateur
 Klarifikatortrommel

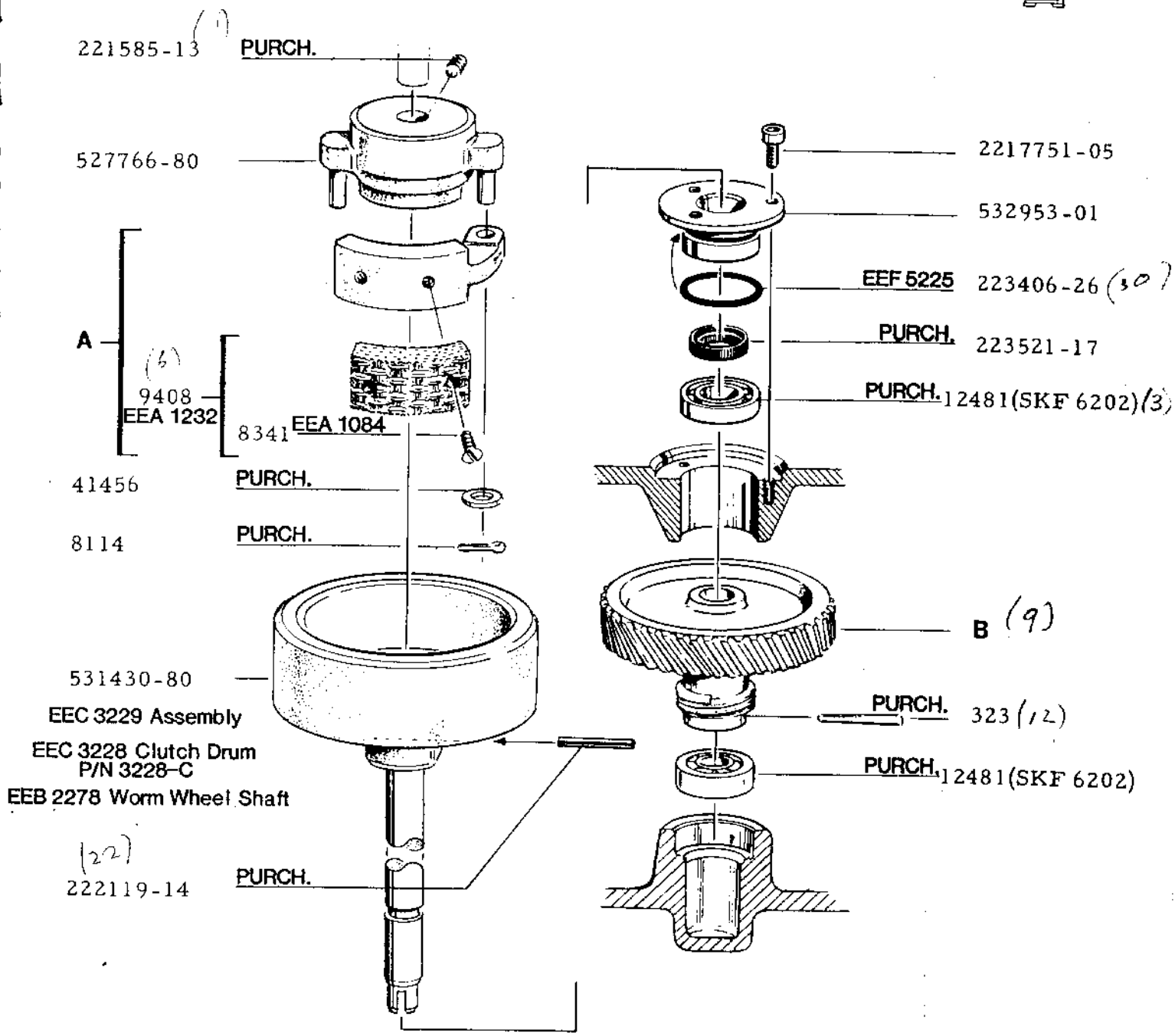
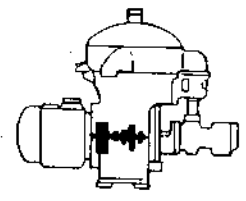


- A ∅ 46 mm 522993-02
- 47.5 mm 522993-03
- 49 mm 522993-04
- 51 mm 522993-05
- 54 mm 522993-06
- 58 mm 522993-07
- 63 mm 522993-08
- 69 mm 522993-09

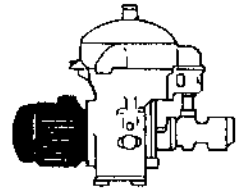
▼ Exchange necessitates rebalancing of the bowl.
 L'échange de ces pièces nécessite le rééquilibrage du bol.
 Austausch erfordert Wiederauswuchtung der Trommel.



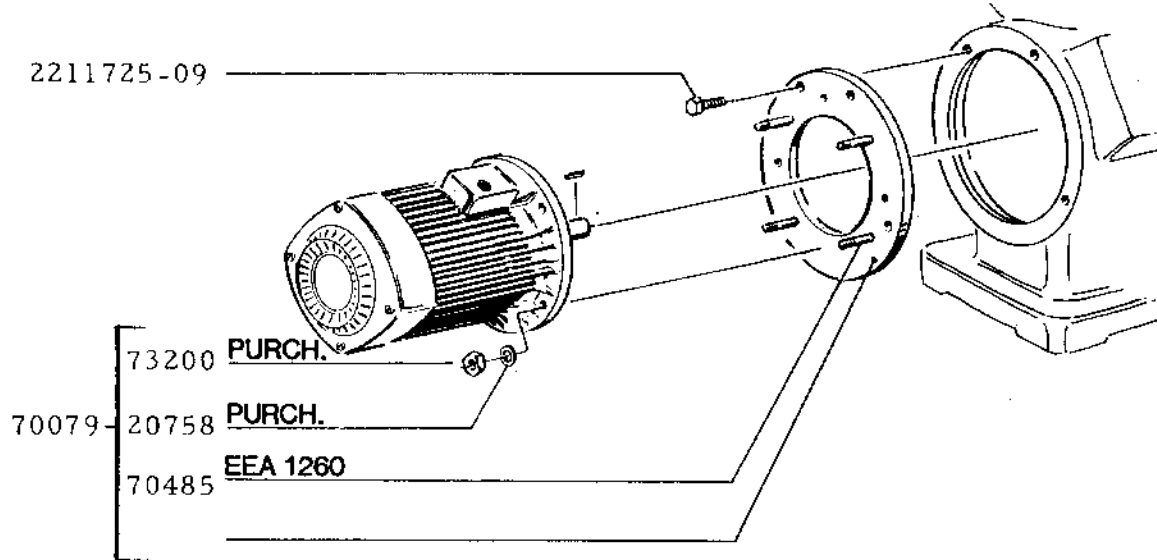
A	50 Hz	60 Hz
	522988-01	522988-02
	EEC 3225	



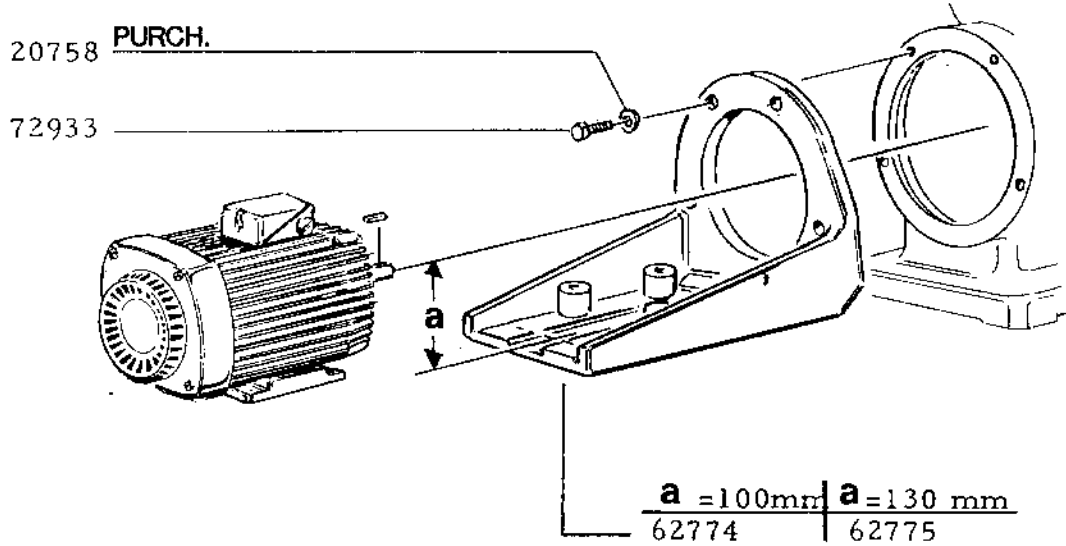
A	50 Hz	60 Hz
	527767-80	527770-80 EEB 2280
B	515799-02	515799-04 EEC 3226

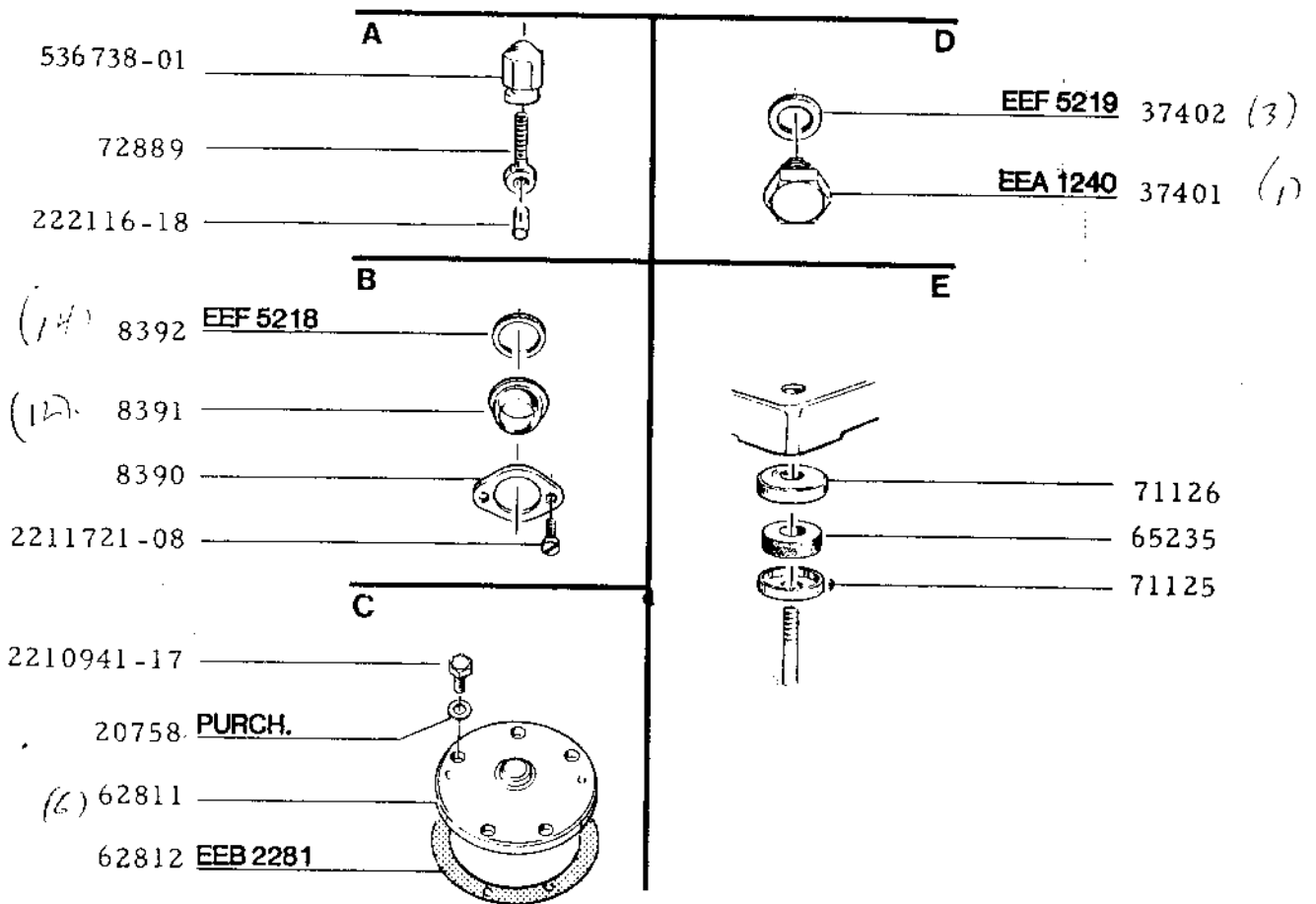
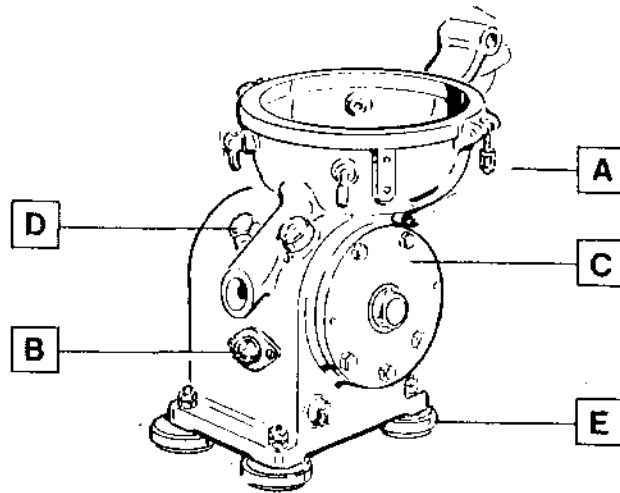
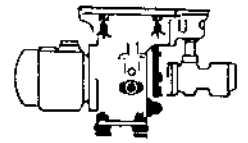


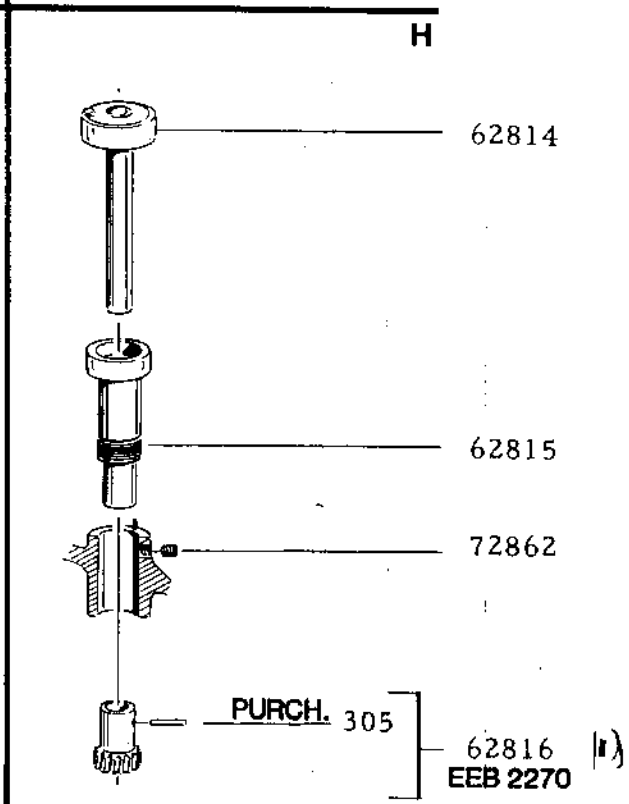
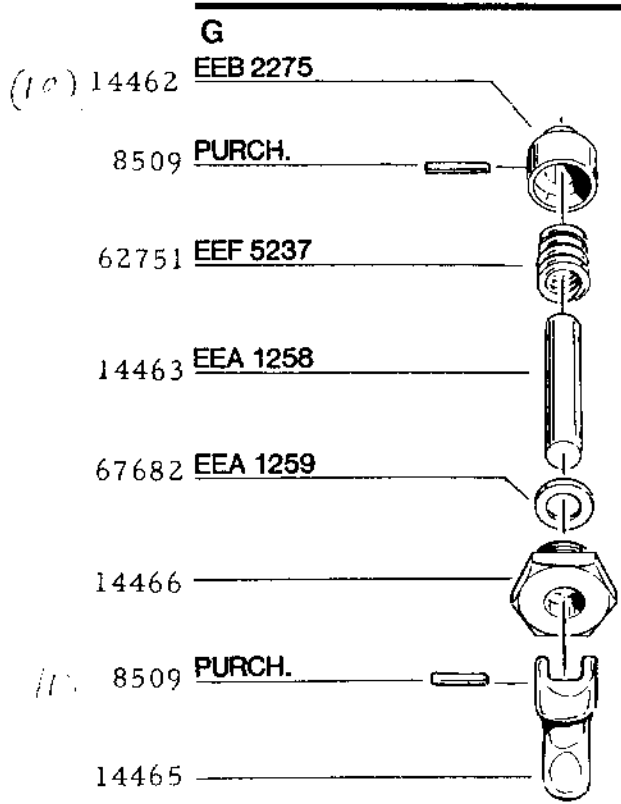
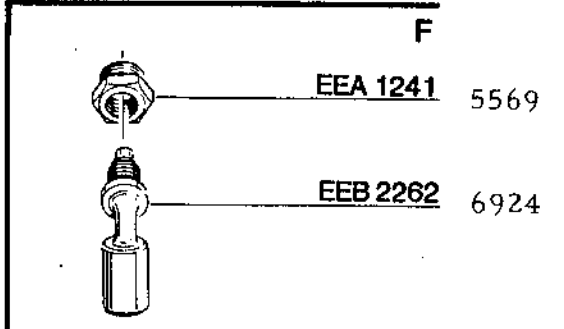
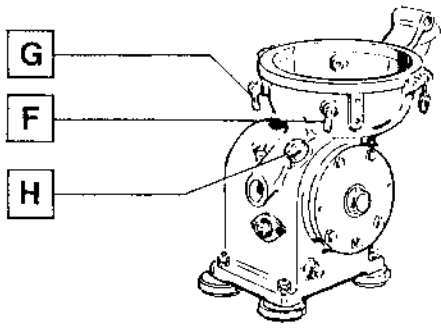
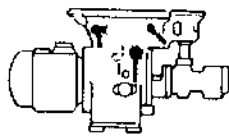
MAB 103B-24

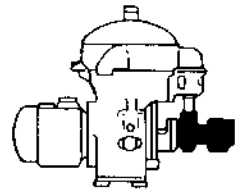


MAB 103B-29

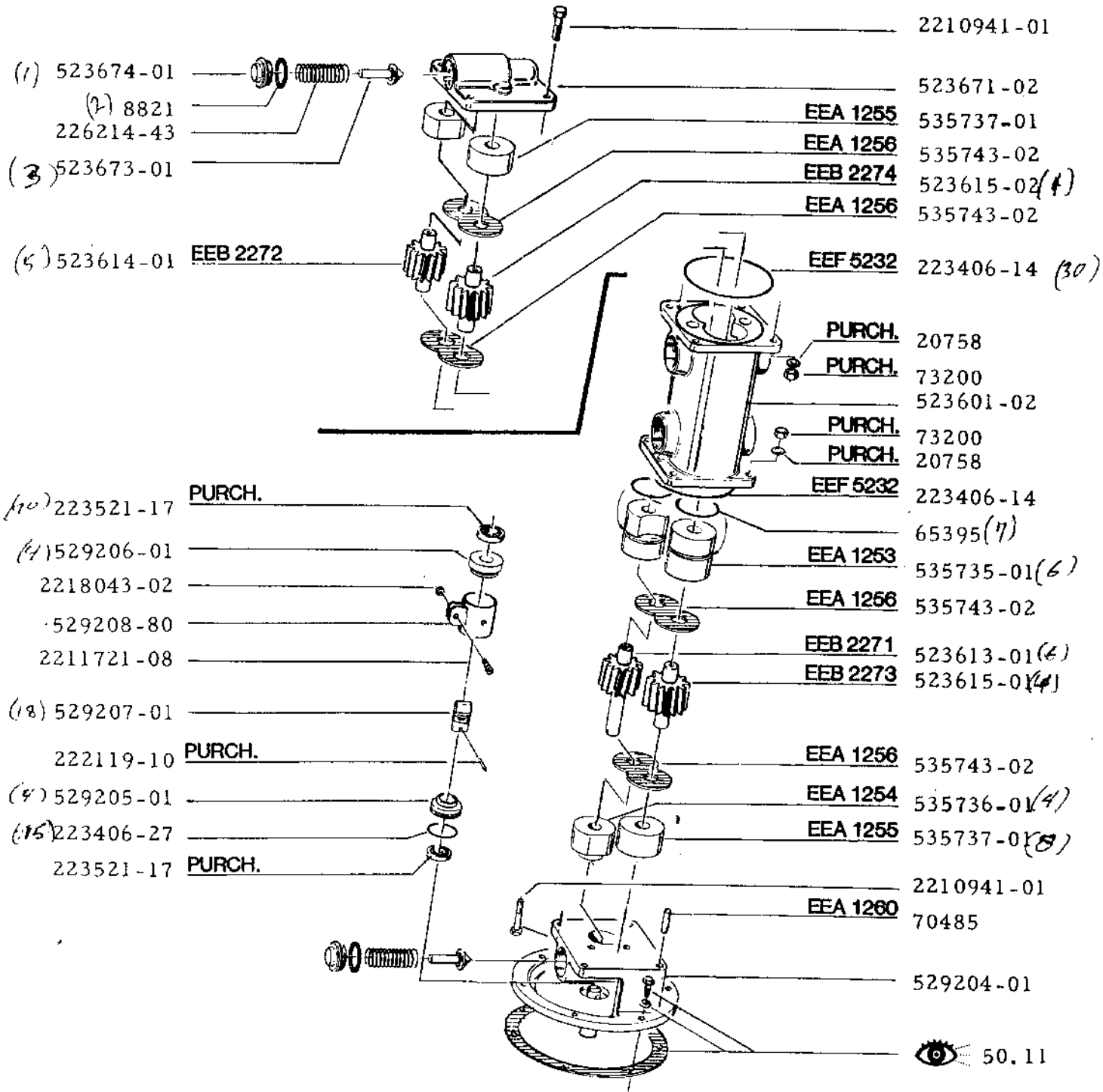


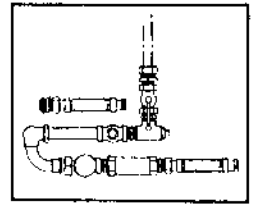









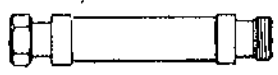

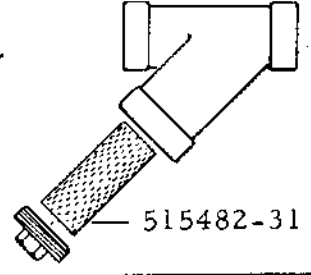
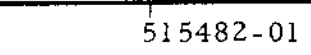


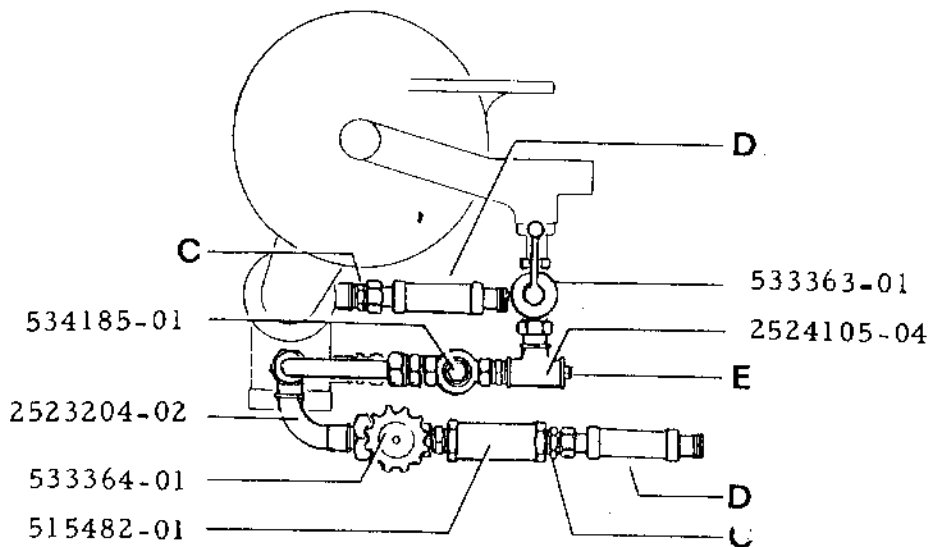
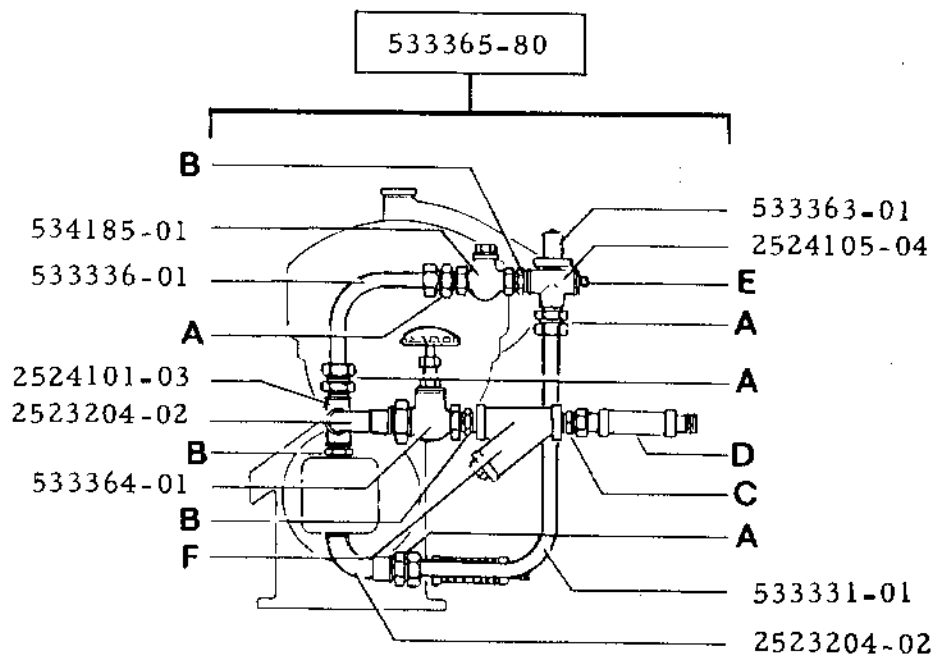


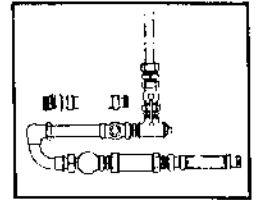
529209-81





<p>A</p>  533339-01 EEF 5231  70936  533292-01  533337-01
<p>B</p>  2521301-01
<p>C</p>  223310-04  533293-01
<p>D</p>  537533-80
<p>E</p>  2522302-06
<p>F</p>  515482-31  515482-01





A

- 533339-01
- EEF 5231
70936/4)
- 533292-01
- 533337-01

B

- 2521301-01

C

- 223310-04
- 533293-01

D

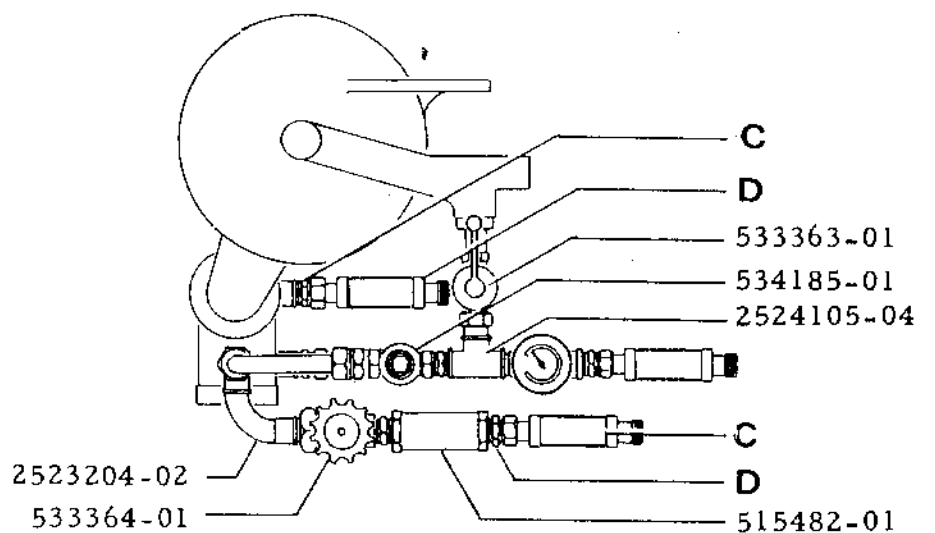
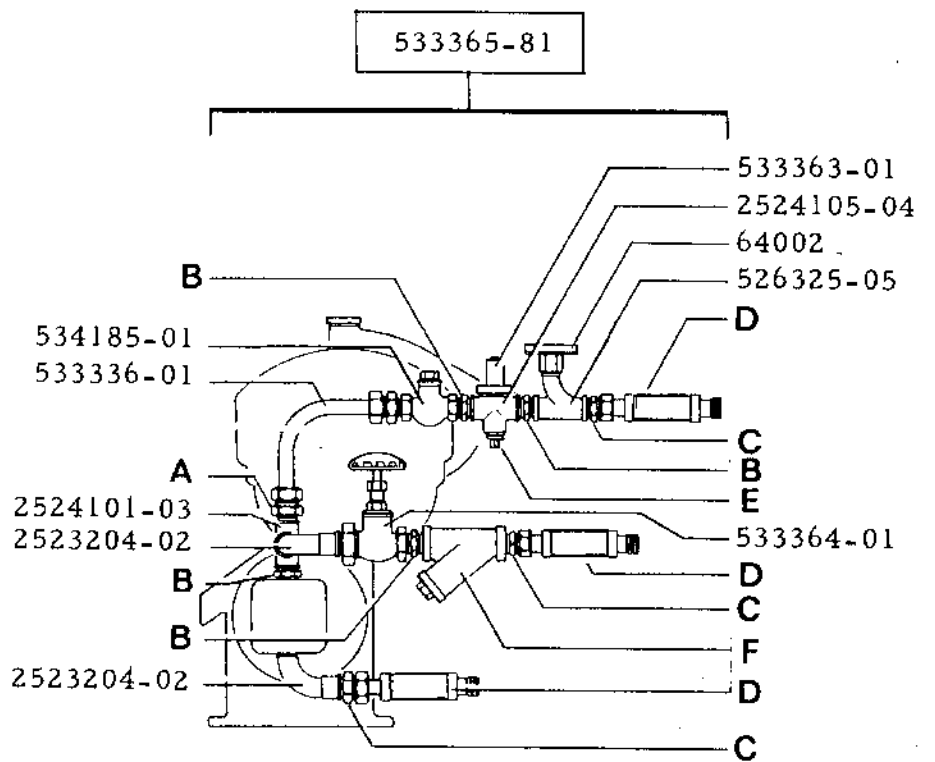
- 537533-80

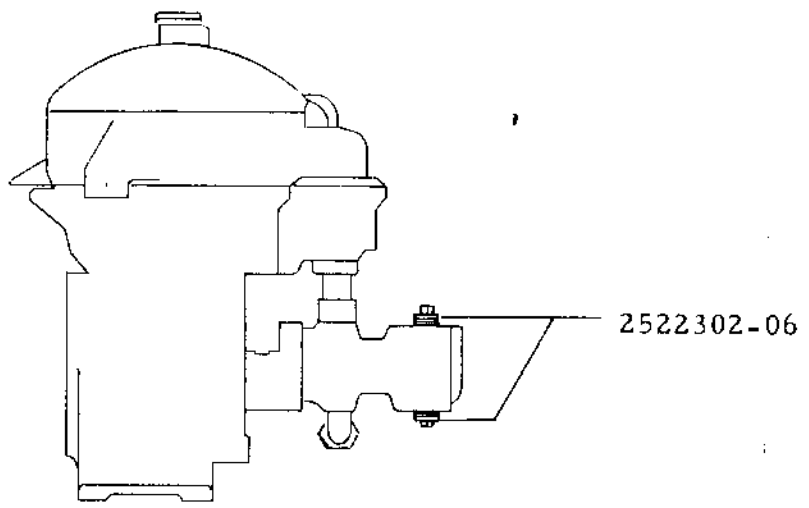
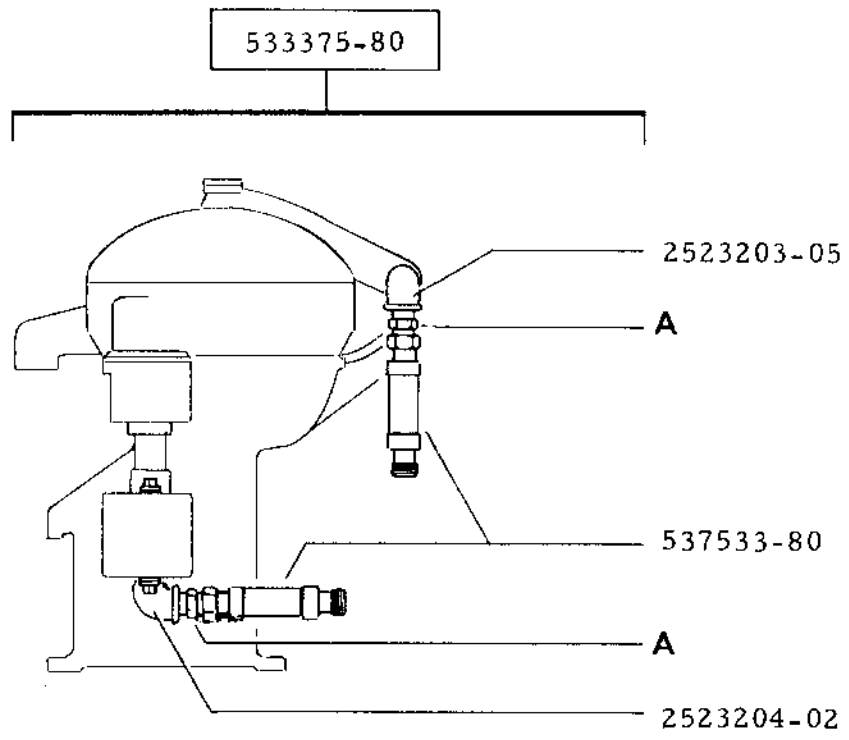
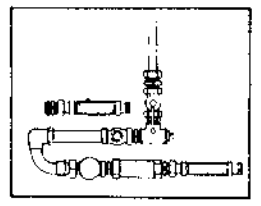
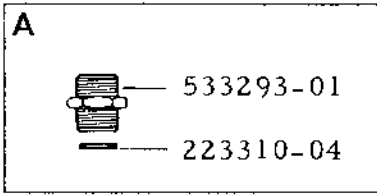
E

- 2522302-06

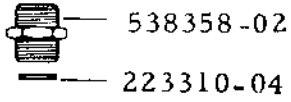
F

- 515482-31
- 515482-01

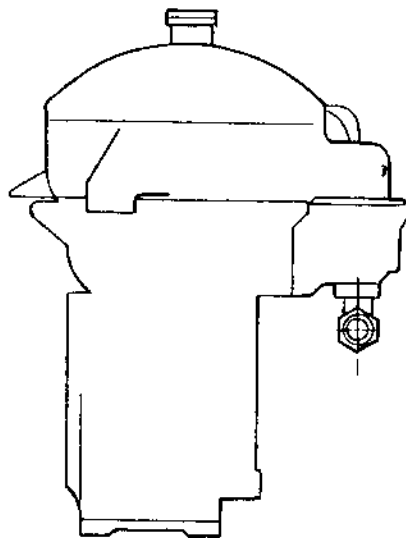
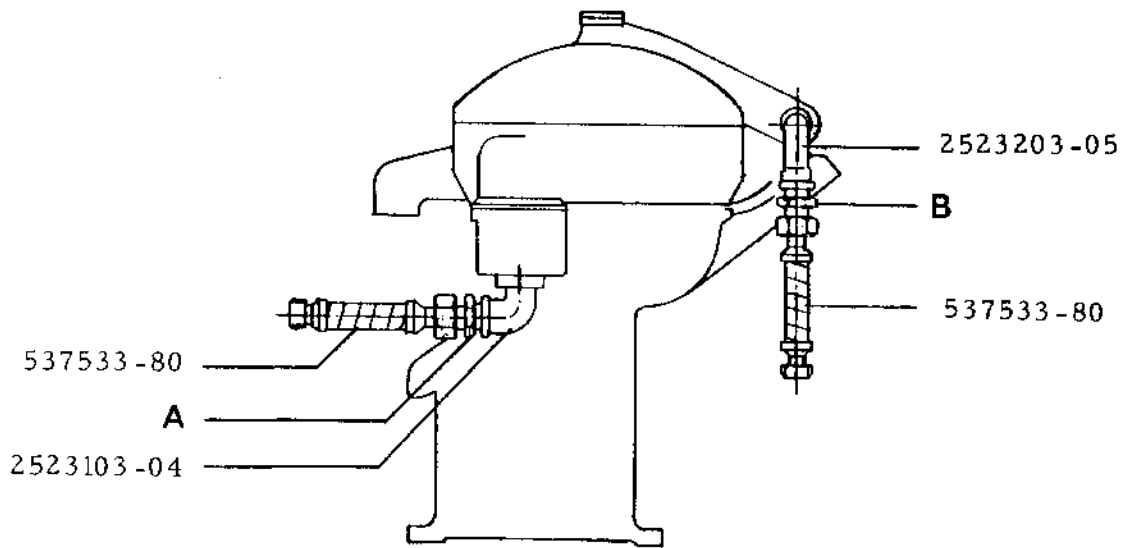
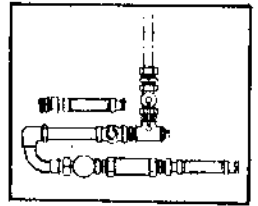
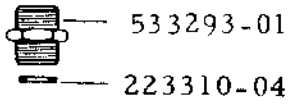




A



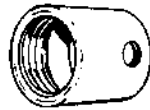
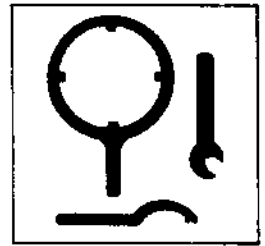
B



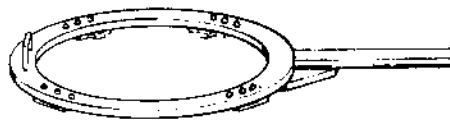
Type

MAB 103B

Page 80.11



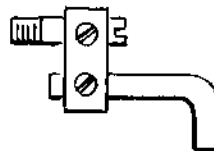
524717-01



67028



30292



73579

Part No	Page	Description	Benennung	Désignation	
305 PURCH.	50.21	Pin , Taper	Stift	Goupille	#2/0 x 3/4" (1/4"/FT.) #0 x 1" (1/4"/FT.)
323 PURCH.	40.11	Pin , Taper	Stift	Goupille	
EEB 2278	40.11	Worm Wheel Shaft			
3228-C EEC 3228	40.11	Clutch Drum			
5569 EEA 1241	50.21	Bushing	Buchse	Douille	
6924 EEB 2262	50.21	Screw , Bowl Lock	Schraube	Vis	
8114 PURCH.	40.11	Pin , Cotter	Stift	Goupille	7/64" DIA. x 1" REF. 37231
8341 EEA 1084	40.11	Screw , Clutch Shoe	Schraube	Vis	
8390	50.11	Plate	Platte	Plaque	
8391	50.11	Glass	Glas	Verre	3mm x 20mm (1mm/50mm)
8392 EEF 5218	50.11	Packing	Dichtung	Joint	
8509 PURCH.	50.21	Pin , Taper	Stift	Goupille	
8821	60.11	Packing	Dichtung	Joint	SKF (FAG) 2201
9408 EEA 1232	40.11	Friction pad	Reibungsfutter	Plaque de friction	
9574 PURCH.	30.11	Ball bearing	Kugellager	Roulement	
12174 PURCH.	30.11	Ball bearing	Kugellager	Roulement	SKF 6203 SKF 6202
12481 PURCH.	40.11	Ball bearing	Kugellager	Roulement	
14158 EEC 3232	30.11	Spring casing	Federgehäuse	Boîte à ressorts	
14161Y EEF 5235	30.11	Packing	Dichtung	Joint	
14166 EEB 2282	30.11	Collar	Kragen	Collier	
14462 EEB 2275	50.21	Plug	Pfropfen	Bouchon	
14463 EEA 1258	50.21	Spindle , Brake	Spindel	Arbre	
14464	10.11	Spring	Feder	Ressort	
14465	50.21	Handle	Handgriff	Poignée	
14466	50.21	Nut	Mutter	Ecrou	
20758 PURCH.	10.21	Washer	Scheibe	Rondelle	
					AN 3/8"

Part No		Page	Description	Benennung	Désignation	
20758	PURCH.	40.21	Washer	Scheibe	Rondelle	3/8" AN
20758	PURCH.	50.11	Washer	Scheibe	Rondelle	3/8" AN
20758	PURCH.	60.11	Washer	Scheibe	Rondelle	3/8" AN
30282	EEB 2283	20.11	Lock ring	Verschlussring	Anneau de serrage	
30292		80.11	Spanner	Schraubenschlüssel	Clé à vis	
32588		10.11	Plug	Pfropfen	Bouchon	
32641	EEA 1248	10.11	Glass disc	Schauglas	Viseur	
33355	EEF 5236	30.11	Spring	Feder	Ressort	
37166	EEA 1229	10.21	Sight glass	Schauglas	Viseur	
37168	EEB 2284	10.21	Lock ring	Haltering	Anneau de serrage	
37401	EEA 1240	50.11	Screw, Drain	Schraube	Vis	
37231	EEA 1084	40.11	Clutch Shoe Screw			
37402	EEF 5219	50.11	Packing	Dichtung	Joint	REF. 8341
41456	PURCH.	40.11	Washer	Scheibe	Rondelle	DIN 125
62013		10.11	Packing	Dichtung	Joint	
62751	EEF 5237	50.21	Spring	Feder	Ressort	
62761	EEA 1247	30.11	Washer	Scheibe	Rondelle	
62762	EEA 1249	30.11	Buffer	Puffer	Tampon	
62763	EEF 5224	30.11	Spring	Feder	Ressort	
62764	EEA 1250	30.11	Plug	Pfropfen	Bouchon	
62774		40.21	Motor bracket	Motorkonsole	Console du moteur	
62775		40.21	Motor bracket	Motorkonsole	Console du moteur	
62779		10.11	Bolt	Bolzen	Boulon	
62780		10.11	Inlet pipe	Zulaufstutzen	Tuyau d'alimentation	
62811		50.11	End shield	Lagerschild	Plaque	

Part No	Page	Description	Benennung	Désignation	
62812	EEB 2281	50.11 Packing	Dichtung	Joint	
62814		50.21 Shaft	Welle	Arbre	
62815		50.21 Bushing	Buchse	Douille	
62816	EEB 2270	50.21 Pinion	Ritzel	Pignon	
62948		10.11 Cover	Deckel	Couvercle	
63214	EEA 1257	30.11 Buffer	Puffer	Tampon	
63433	EEB 2279	30.11 Sleeve	Hülse	Manchon	
64002		70.21 Thermometer	Thermometer	Thermomètre	
64100	EEF 5229	20.11 Rubber ring	Gummiring	Joint	Hallite Seals #4603
64101	EEF 5230	10.11 Rubber ring	Gummiring	Joint	P.A.I. #241-9.475SS
65235		50.11 Cushion	Gummischeibe	Joint	
65395		60.11 Rubber ring	Gummiring	Joint	
65584		10.11 Screw	Schraube	Vis	
66555	EEF 5211	10.21 O-ring	O-Ring	Anneau O	
67028		80.11 Spanner	Schlüssel	Clé	
67682	EEA 1259	50.21 Washer	Scheibe	Rondelle	
70079		40.21 Motor adapter	Motorträger	Support du moteur	
70485	EEA 1260	40.21 Stud bolt	Stiftschraube	Prisonnier	
70485	EEA 1260	60.11 Stud bolt	Stiftschraube	Prisonnier	
70936Y	EEF 5231	70.11 Rubber ring	Gummiring	Joint	P.A.I. #1-209
70936Y	EEF 5231	70.21 Rubber ring	Gummiring	Joint	P.A.I. #1-209
70942	EEF 5228	20.11 Rubber ring	Gummiring	Joint	P.A.I. #176-3.115
70942	EEF 5228	20.21 Rubber ring	Gummiring	Joint	P.A.I. #176-3.115
71125		50.11 Cap	Kapsel	Couvette	
71126		50.11 Cap	Kapsel	Couvette	
72860		10.11 Set screw	Halteschraube	Goupille filete	
72862		50.21 Screw	Schraube	Vis	
72864		10.11 Pin	Stift	Goupille	

Part No	Page	Description	Benennung	Désignation	
72865	10.11	Pin	Stift	Goupille	
72889	50.11	Hinged bolt	Verschlussbolzen	Vis-charnière	
72933	10.21	Screw	Schraube	Vis	
72933	40.21	Screw	Schraube	Vis	
73200	40.21	Nut , Full Jam	Mutter	Ecrou	3/8" - 16 UNC - 2B
73200	60.11	Nut , Full Jam	Mutter	Ecrou	3/8" - 16 UNC - 2B
73579	80.11	Tool	Werkzeug	Outil	
190609	10.21	Rubber ring	Gummiring	Joint	
221585-13	40.11	Screw , Allen Hd. Set	Schraube	Vis	3/8" - 16 UNC - 2A x 5/8"
222116-18	50.11	Pin	Stift	Goupille	
222119-10	60.11	Pin , Spring	Stift	Goupille	1/8" DIA. x 5/8"
222119-14	40.11	Pin , Expansion	Stift	Goupille	3/16" DIA. x 1-1/4"
223101-48	10.11	Washer	Scheibe	Rondelle	
223310-04	70.11	Seal ring	Dichtungsring	Joint d'étanchéité	
223310-04	70.21	Seal ring	Dichtungsring	Joint d'étanchéité	
223310-04	70.31	Seal ring	Dichtungsring	Joint d'étanchéité	
223406-13	10.11	O-ring	O-Ring	Anneau O	Hallite Seals #1621
223406-14	60.11	O-ring	O-Ring	Anneau O	Hallite Seals #0739
223406-20	10.21	O-ring	O-Ring	Anneau O	P.A.I. #1-914
223406-26	40.11	O-ring	O-Ring	Anneau O	Hallite Seals #2086
223406-27	60.11	O-ring	O-Ring	Anneau O	
223436-02	10.21	Packing	Dichtung	Joint	
223436-19	10.11	Packing	Dichtung	Joint	
223521-17	40.11	Seal ring , Shaft	Dichtungsring	Joint d'étanchéité	Simrit : BA 14mm x 24mm x 7n.
223521-17	60.11	Seal ring , Shaft	Dichtungsring	Joint d'étanchéité	Simrit : BA 14mm x 24mm x 7n.
226214-43	60.11	Spring	Feder	Ressort	
252612-02	10.21	Nipple	Stutzen	Nipple	
515482-01	70.11	Strainer	Sieb	Tamis	
515482-01	70.21	Strainer	Sieb	Tamis	

Part No	Page	Description	Benennung	Désignation
515482-31	70.11	Strainer inset	Siebeinsatz	Cylindre de tamis
515482-31	70.21	Strainer inset	Siebeinsatz	Cylindre de tamis
515799-02	40.11	Worm wheel	Schneckenrad	Roue hélicoïdale
515799-04	40.11	Worm wheel	Schneckenrad	Roue hélicoïdale
517839-81	10.21	Nipple	Nippel	Nippel
517841-02	10.21	Holder	Halter	Support
517842-81	10.21	Water admixing device	Wasserezusatz - Vorrichtung	Dispositif pour ajouter de l'eau
517843-01	10.21	Glass , Sight	Glas	Verre
517846-01	10.21	Valve	Ventil	Soupape
522964-02	10.21	Housing	Gehäuse	Corps
522972-81	20.11	Bowl body	Trommelkörper	Fond du bol
522974-81	20.11	Bowl hood	Trommeldeckel	Chapeau du bol
522975-80	20.11	Distributor	Verteiler	Distributeur
522976-02	20.11	Top disc	Oberteller	Disque superieur
522981-01	20.11	Lock ring	Verschlussring	Anneau de serrage
522983-01	10.21	Flange	Flansch	Bride
522984-01	10.21	Sleeve	Hülse	Manchon
522988-01	30.11	Bowl spindle	Trommelwelle	Arbre du bol
522988-02	30.11	Bowl spindle , 60 Hz.	Trommelwelle	Arbre du bol
522990-80	20.11	Bottom disc	Unterteller	Disque inferieur
522990-81	20.11	Bowl disc	Einsatzteller	Disque du bol
522991-02	20.11	Top disc	Oberteller	Disque superieur
522992-01	20.21	Discharge collar	Auslaufhals	Col de décharge
522993-02	20.11	Gravity disc	Regulierscheibe	Disque de réglage
522993-03	20.11	Gravity disc	Regulierscheibe	Disque de réglage
522993-04	20.11	Gravity disc	Regulierscheibe	Disque de réglage
522993-05	20.11	Gravity disc	Regulierscheibe	Disque de réglage
522993-06	20.11	Gravity disc	Regulierscheibe	Disque de réglage
522993-07	20.11	Gravity disc	Regulierscheibe	Disque de réglage
522993-08	20.11	Gravity disc	Regulierscheibe	Disque de réglage
522993-09	20.11	Gravity disc	Regulierscheibe	Disque de réglage

Part No	Page	Description	Benennung	Désignation	
522997-01	EEA 1246	30.11	Cap nut	Kapselmutter	Ecrou coiffant
522997-01	EEA 1246	30.11	Cap nut	Kapselmutter	Ecrou coiffant
523601-02		60.11	Housing	Gehäuse	Corps
523613-01	EEB 2271	60.11	Impeller, Driver	Pumpenrad	Turbine
523614-01	EEB 2272	60.11	Impeller, Driver	Pumpenrad	Turbine
523615-01	EEB 2273	60.11	Impeller, Driven	Pumpenrad	Turbine
523615-02	EEB 2274	60.11	Impeller, Driven	Pumpenrad	Turbine
523671-02		60.11	Shield	Schild	Bouclier
523673-01		60.11	Cone	Kegel	Cône
523674-01		60.11	Plug	Pfropfen	Bouchon
524700-88		20.11	Bowl assy.	Trommel, vollst.	Bol, complete
524714-02		10.21	Flange	Flansch	Bride
524715-01		10.11	Bushing	Buchse	Douille
524716-01		10.11	Tube	Rohr	Tube
524717-01		80.11	Screw plug	Schraubpfropfen	Bouchon filite
524717-01		80.11	Screw plug	Schraubpfropfen	Tournevis
526230-80		70.11	Hose	Schlauch	Tube souple
526230-80		70.21	Hose	Schlauch	Tube souple
526230-80		70.31	Hose	Schlauch	Tube souple
526325-05		70.21	T-piece	T-Stück	Te
527766-80		40.11	Friction block	Mitnehmergewicht	Masselotte
527767-80		40.11	Friction block	Mitnehmergewicht	Masselotte
527770-80	EEB 2280	40.11	Friction block	Mitnehmergewicht	Masselotte
529204-01		60.11	End shield	Lagerschild	Plaque à palier
529205-01		60.11	Sleeve	Hülse	Manchon
529206-01		60.11	Sleeve	Hülse	Manchon
529207-01		60.11	Shear coupling	Abdrehkupplung	Accouplement

Part No	Page	Description	Benennung	Désignation	
529208-80	60.11	Sleeve half	Hülsehälfte	Demi du manchon	EEB 2278 & EEC 3228
529209-81	60.11	Pump assy.	Pumpe, vollst.	Pompe, complete	
531430-80	40.11	Worm wheel shaft Ass'y.	Schneckenradwelle	Arbre de la roue hélicoïdale	
531435-01	10.11	Splash guard	Spritzschirm	Garde d'éclaboussage	
531485-02	10.11	Frame hood bottom part	Fanghaube, Unterteil	Couvercle du bâti, inférieure	
531486-02	10.11	Frame hood top part	Fanghaube, Oberteil	Couvercle du bâti, supérieure	
532953-01	40.11	Seal washer	Dichtungsscheibe	Garniture d'étanchéité	
533292-01	70.11	Washer	Scheibe	Rondelle	
533293-01	70.11	Hexagonal nipple	Sechskantnippel	Raccord	
533293-01	70.11	Hexagonal nipple	Sechskantnippel	Raccord	
533293-01	70.21	Hexagonal nipple	Sechskantnippel	Raccord	
533293-01	70.31	Hexagonal nipple	Sechskantnippel	Raccord	
533331-01	70.11	Pipe	Rohr	Tube	
533336-01	70.11	Pipe	Rohr	Tube	
533336-01	70.21	Pipe	Rohr	Tube	
533337-01	70.11	Coupling nut	Überwurfmutter	Ecrou d'accouplement	
533337-01	70.21	Coupling nut	Überwurfmutter	Ecrou d'accouplement	
533339-01	70.11	Hexagonal nipple	Sechskantnippel	Raccord	
533339-01	70.21	Hexagonal nipple	Sechskantnippel	Raccord	
533363-01	70.11	Shut-off valve	Absperrventil	Soupape d'arrêt	
533363-01	70.21	Shut-off valve	Absperrventil	Soupape d'arrêt	
533364-01	70.11	Regulating valve	Regelventil	Vanne de réglage	
533364-01	70.21	Regulating valve	Regelventil	Vanne de réglage	
533365-80	70.11	Set of fittings	Armaturensatz	Jeu d'armature	
533365-81	70.21	Set of fittings	Armaturensatz	Jeu d'armature	
533375-80	70.31	Set of fittings	Armaturensatz	Jeu d'armature	
534185-01	70.11	Check valve	Rückschlagventil	Soupape de retenue	
534185-01	70.21	Check valve	Rückschlagventil	Soupape de retenue	
535735-01	60.11	Bushing	Buchse	Douille	
535736-01	60.11	Bushing	Buchse	Douille	
535737-01	60.11	Bushing	Buchse	Douille	
535743-02	60.11	Wear gasket	Dichtungsbrille	Joint d'étanchéité	
2210941-01	60.11	Screw	Schraube	Vis	
536738-01	50.11	Nut	Mutter	Ecrou	

Part No	Page	Description	Benennung	Désignation
2210941-17	50.11	Screw	Schraube	Vis
2211721-08	10.11	Screw	Schraube	Vis
2211721-08	50.11	Screw	Schraube	Vis
2211721-08	60.11	Screw	Schraube	Vis
2211721-13	30.11	Screw	Schraube	Vis
2211725-09	40.21	Screw	Schraube	Vis
2217751-05	40.11	Screw	Schraube	Vis
2217751-07	10.11	Screw	Schraube	Vis
2218043-02	60.11	Nut	Mutter	Ecrou
2521301-01	70.11	Nipple	Nippel	Nipple
2521301-01	70.21	Nipple	Nippel	Nipple
2522302-06	70.11	Screw plug	Schraubenpfropfen	Bouchon
2522302-06	70.21	Screw plug	Schraubenpfropfen	Bouchon
2522302-06	70.31	Screw plug	Schraubenpfropfen	Bouchon
2522303-05	70.31	Elbow	Knierohr	Coude
2523204-02	70.11	Elbow	Knierohr	Coude
2523204-02	70.21	Elbow	Knierohr	Coude
2523204-02	70.31	Elbow	Knierohr	Coude
2524101-03	70.11	T-piece	T-Stück	Te
2524101-03	70.21	T-piece	T-Stück	Te
2524105-04	70.11	T-piece	T-Stück	Te
2524105-04	70.21	T-piece	T-Stück	Te