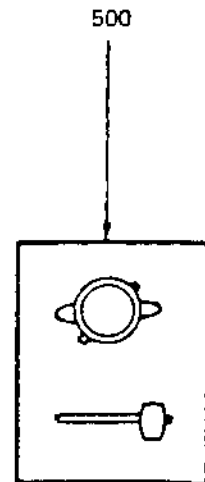
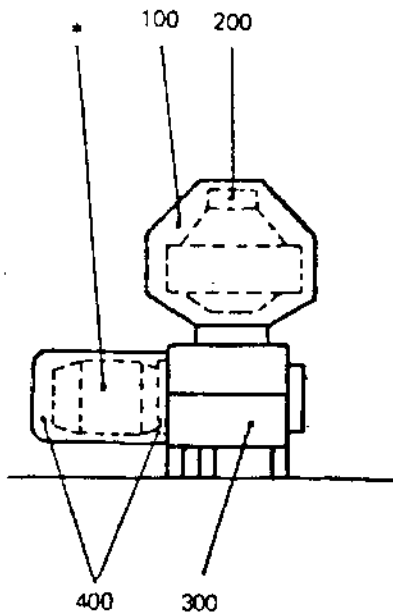


Hutchison-Hayes Separators, Inc.

Model CMRPX 414HGV-74C Parts List With Diagrams

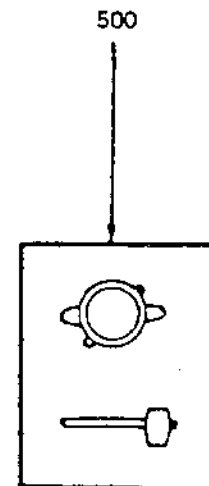
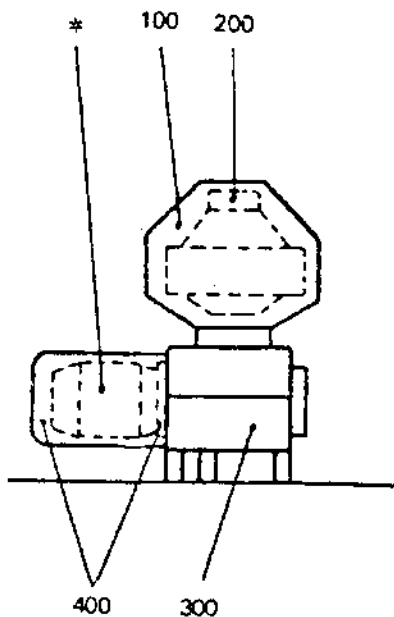
P.O. Box 2965 ♦ Houston, Texas 77252
3520 East Belt ♦ Houston, Texas 77015
(713) 455-9600 ♦ Fax (713) 455-7753

| | MRPX 414HGV-74C | MRPX 414HGV-74C | MRPX 414HGV-74C | MRPX 414HGV-74C | (C)MRPX 414HGV-74C-60 |
|------|--|--|--|------------------------|------------------------|
| | Prod No | | | | |
| | 881052-01-01 | 881052-01-02 | 881052-01-03 | 881052-02-01 | 881052-02-02 |
| Page | Machine Unit No | | | | |
| 100 | 538544-81 | 541805-02 | 541805-02 | 538544-82 | 541805-03 |
| 200 | 540741-80 | 540741-83 | 542194-03 | 540741-80 | 540741-83 |
| 300 | 540893-11 540893-12 540893-15 540893-16 | 540893-11 540893-12 540893-15 540893-16 | 540893-11 540893-12 540893-15 540893-16 | 540893-13 540893-14 | 540893-13 540893-14 |
| 400 | 540922-84 | 540922-84 | 540922-84 | 540922-84 | 540922-84 |
| 500 | 537687-88 | 537687-88 | 537687-92 | 537687-88 | 537687-88 |



* See separate printed matter

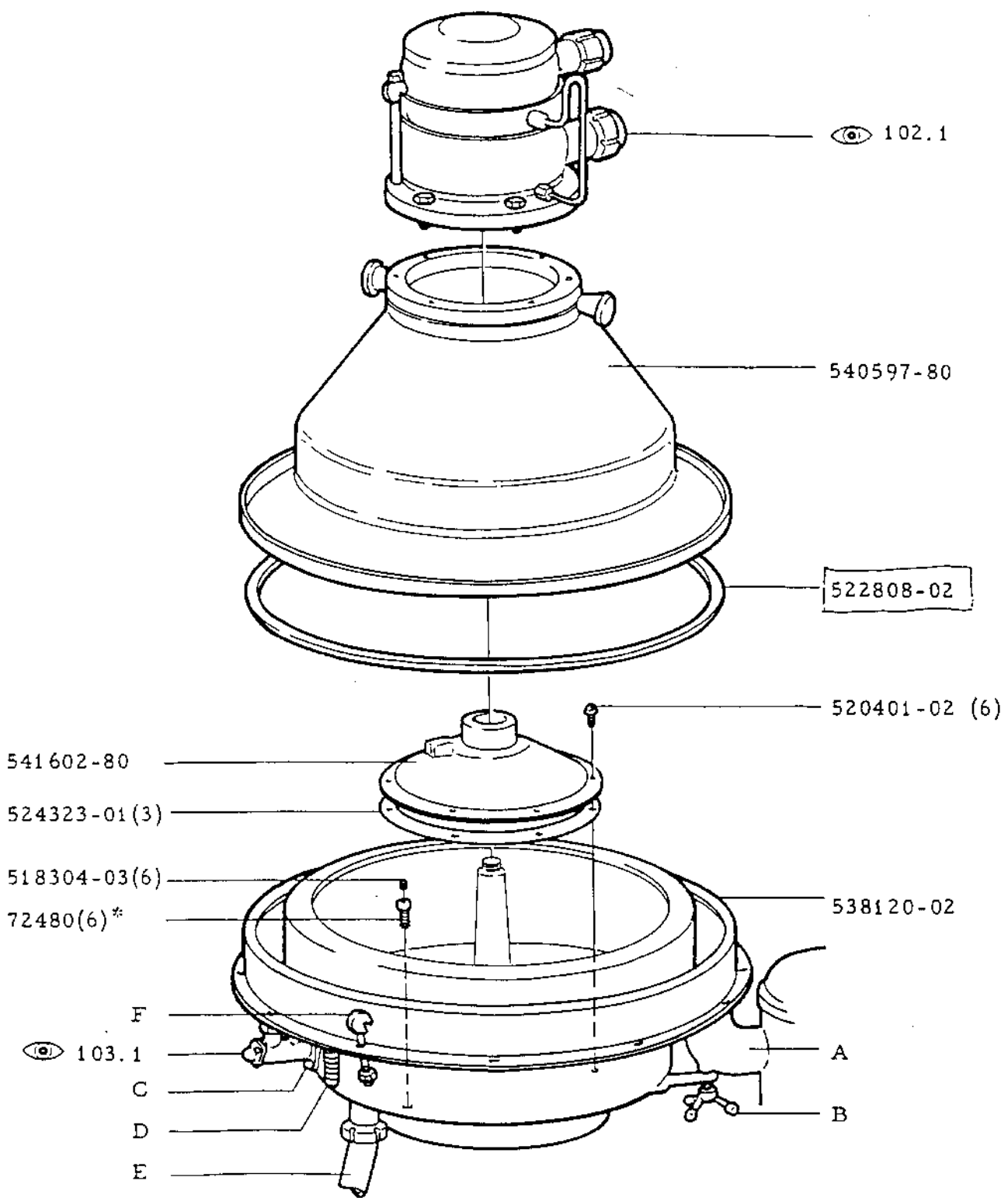
| | MRPX 414HGV-74C-60 | CMRPX 414HGV-74C | CMRPX 414HGV-74C | CMRPX 414HGV-74C | CMRPX 414HGV-74C |
|-------------|------------------------|--|--|------------------------|------------------------|
| Page | Prod No | | | | |
| | 881052-02-03 | 881052-03-01 | 881052-03-02 | 881052-04-01 | 881052-04-02 |
| | Machine Unit No | | | | |
| 100 | 541805-03 | 541805-04 | 541805-04 | 541805-05 | 541805-05 |
| 200 | 542194-03 | 540741-82 | 542194-02 | 540741-82 | 542194-02 |
| 300 | 540893-13 540893-14 | 540893-11 540893-12 540893-15 540893-16 | 540893-11 540893-12 540893-15 540893-16 | 540893-13 540893-14 | 540893-13 540893-14 |
| 400 | 540922-84 | 540922-84 | 540922-84 | 540922-84 | 540922-84 |
| 500 | 537687-92 | 537687-88 | 537687-92 | 537687-88 | 537687-92 |



* See separate printed matter

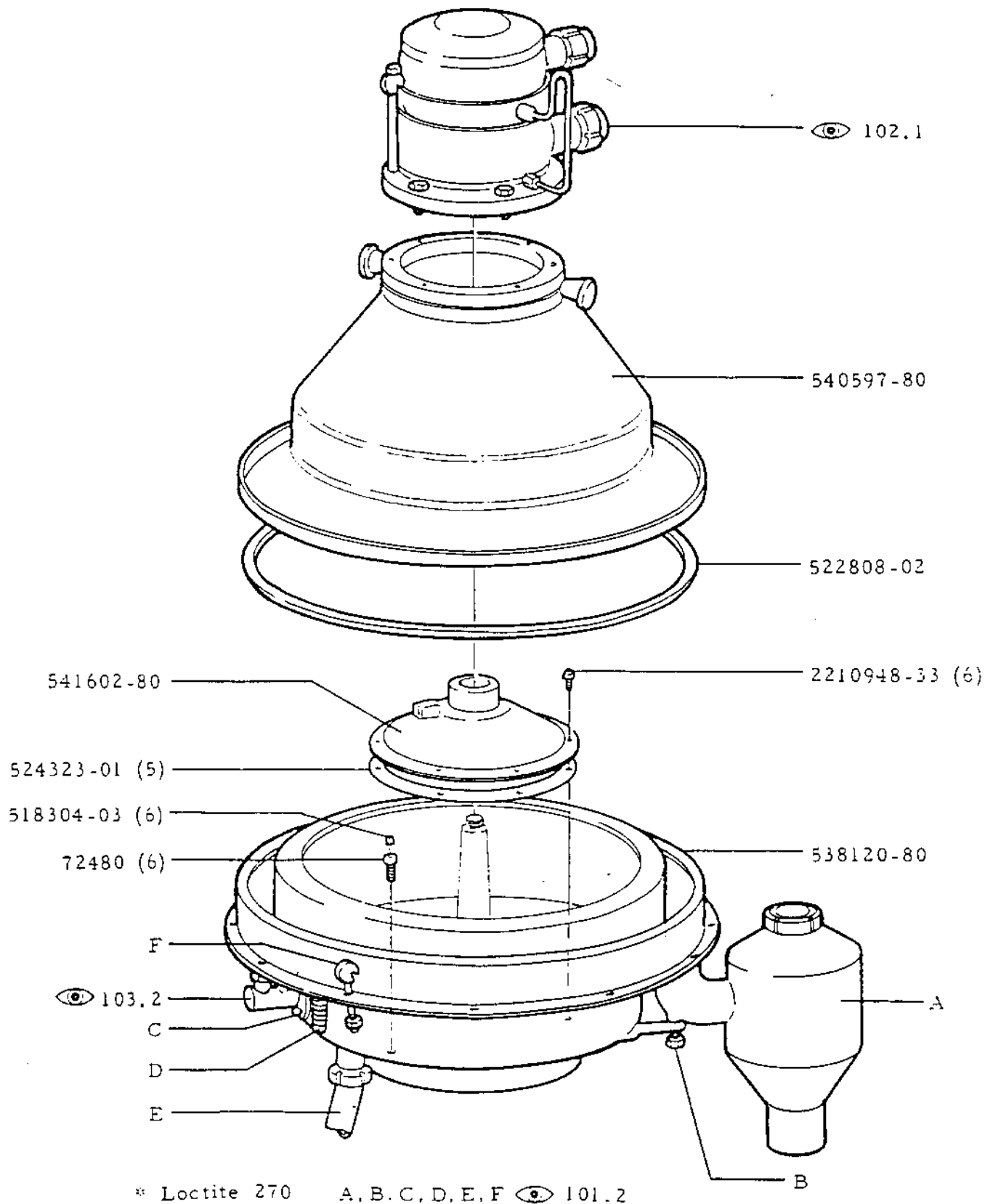
| | |
|------------------|-----------------|
| Description | Machine Unit No |
| Machine top part | 538544-81/82 |

| |
|--------------|
| Page |
| 100.1 |
| Date |
| 81-09 |

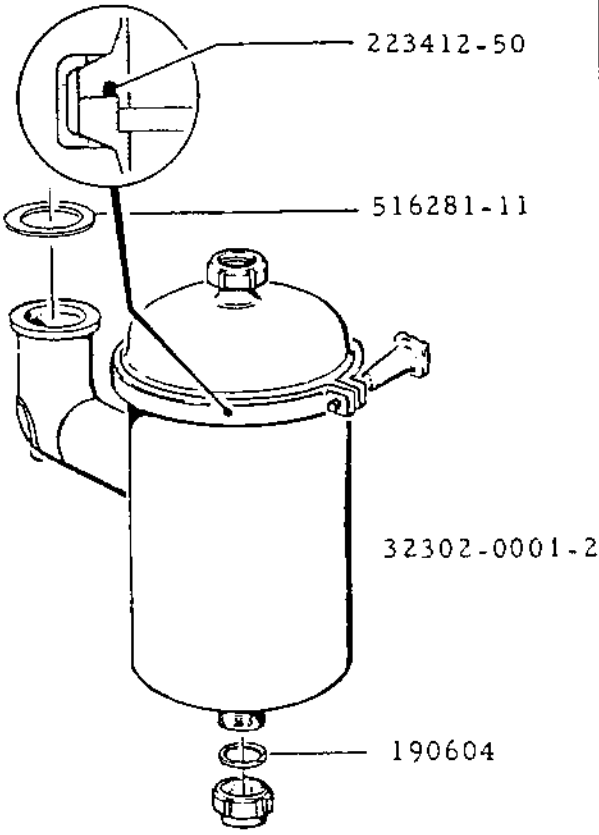


* Loctite 270

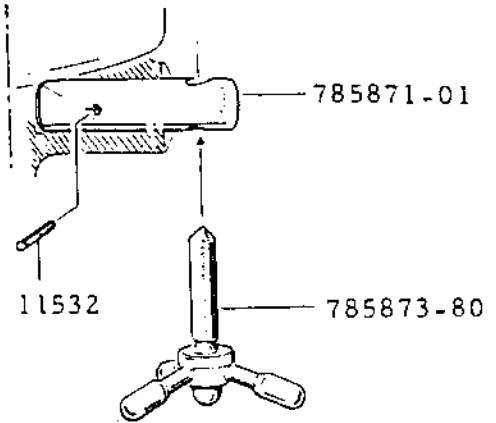
A, B, C, D, E, F 101.1



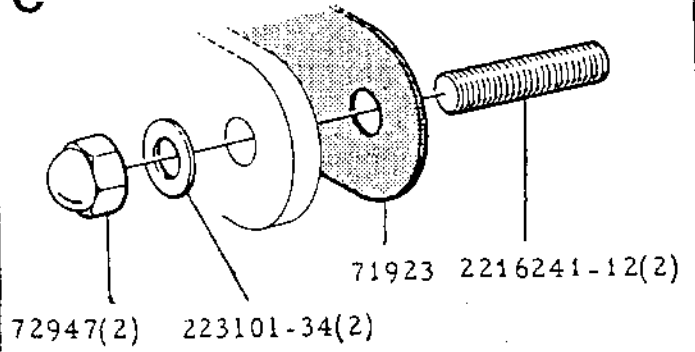
A



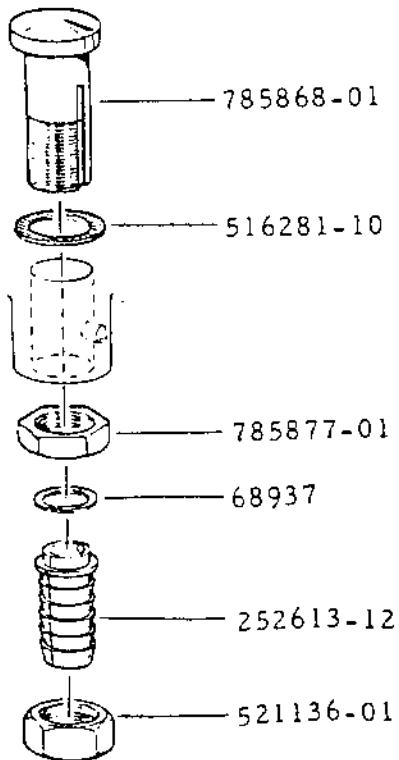
B



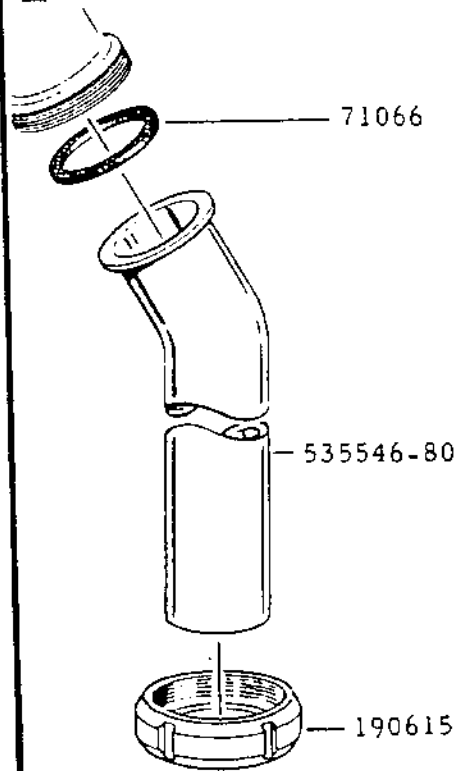
C



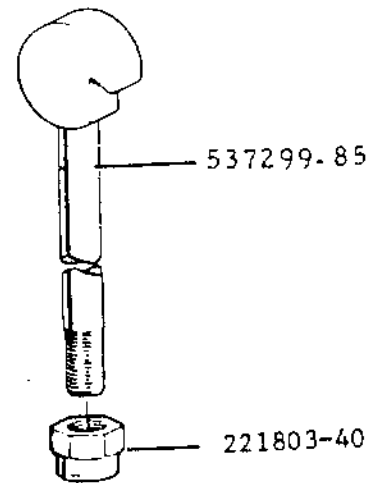
D



E

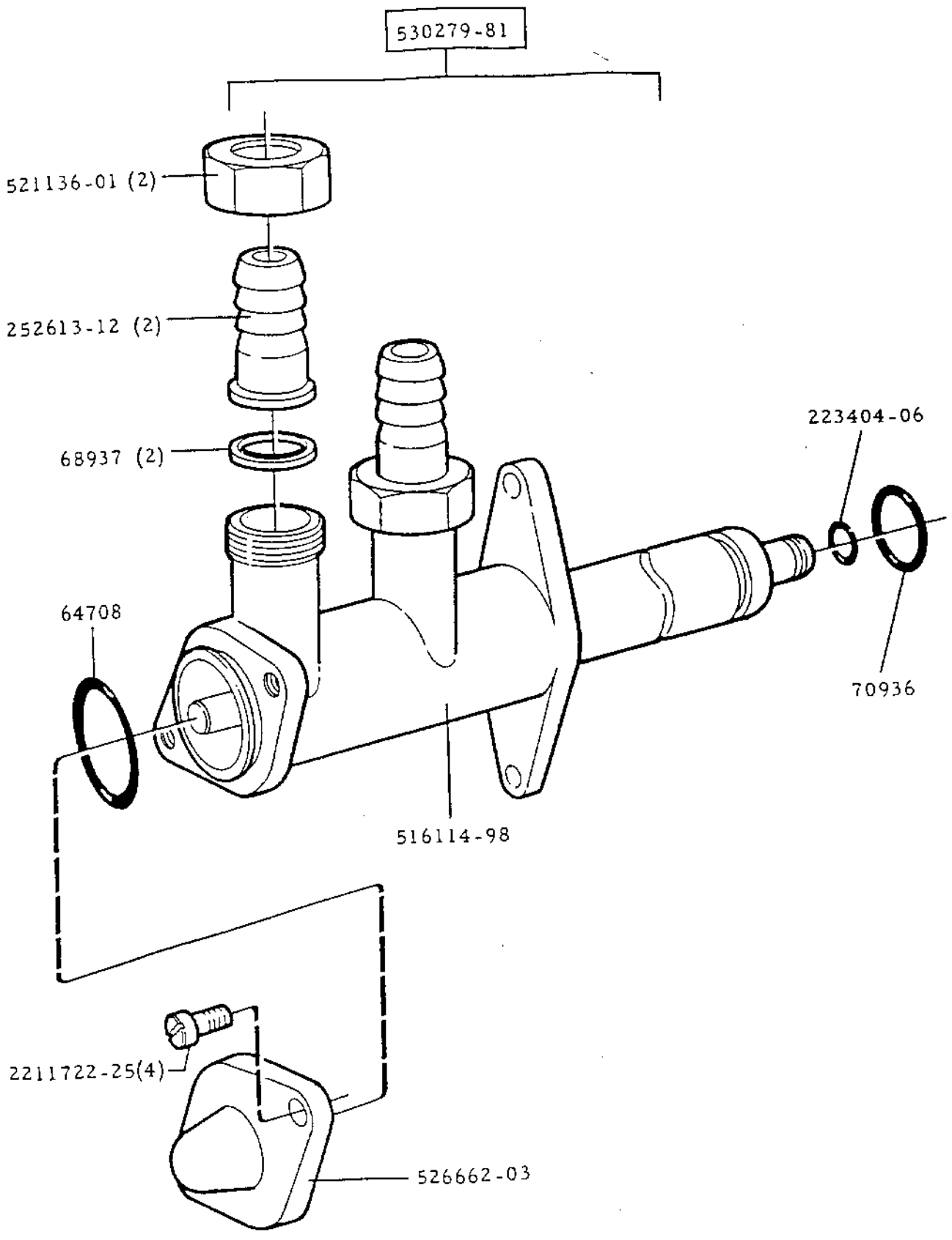


F (12)



| | |
|------------------------------|---------------------------------|
| Description Control valve | Machine Unit No 538544-81/82 |
|------------------------------|---------------------------------|

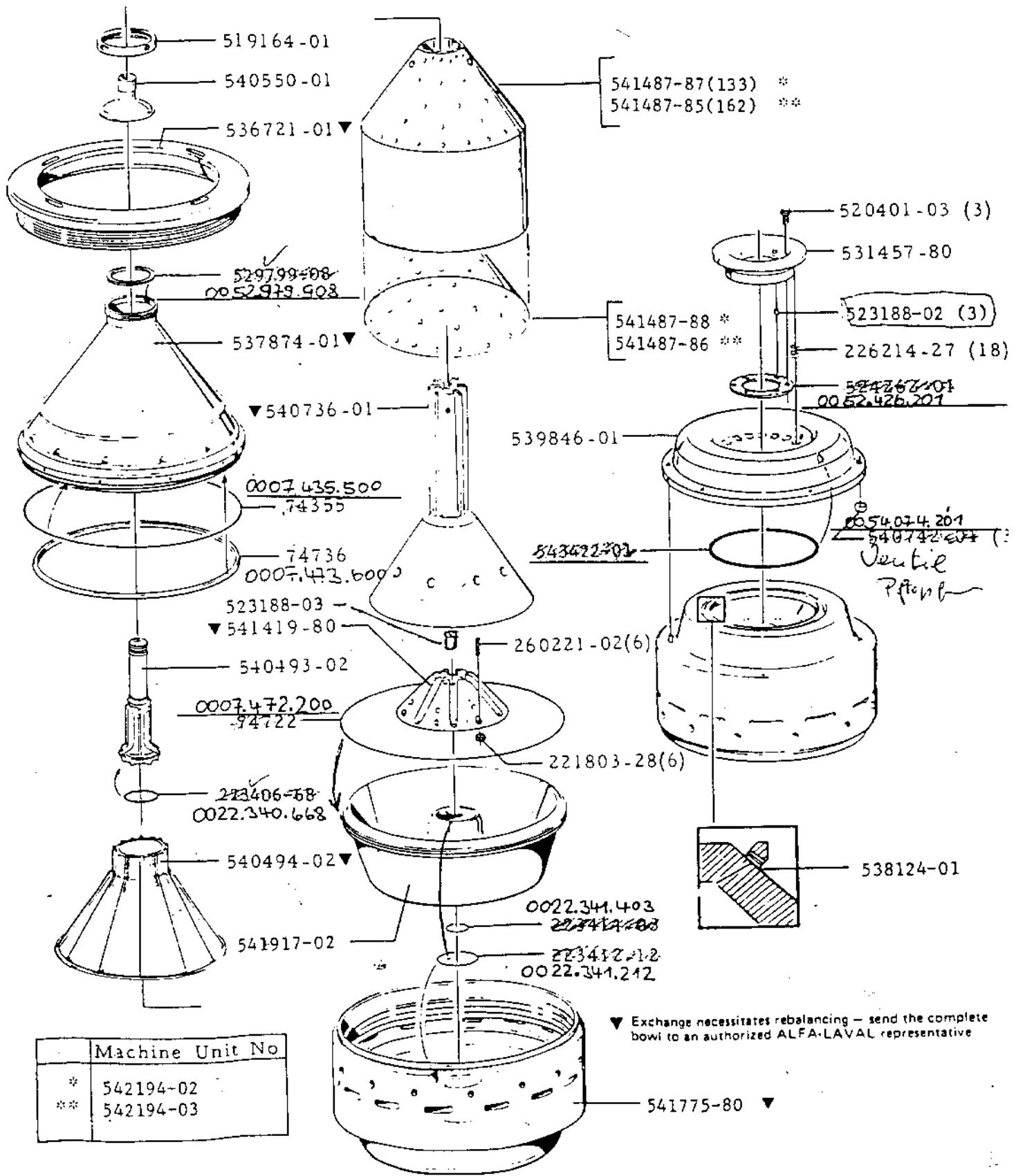
| |
|---------------------------------------|
| Page 103.1 Date 81-09 |
|---------------------------------------|



Description
 Separator bowl

Machine Unit No
 542194-02/03

Page
200.2
 Date
 82-10



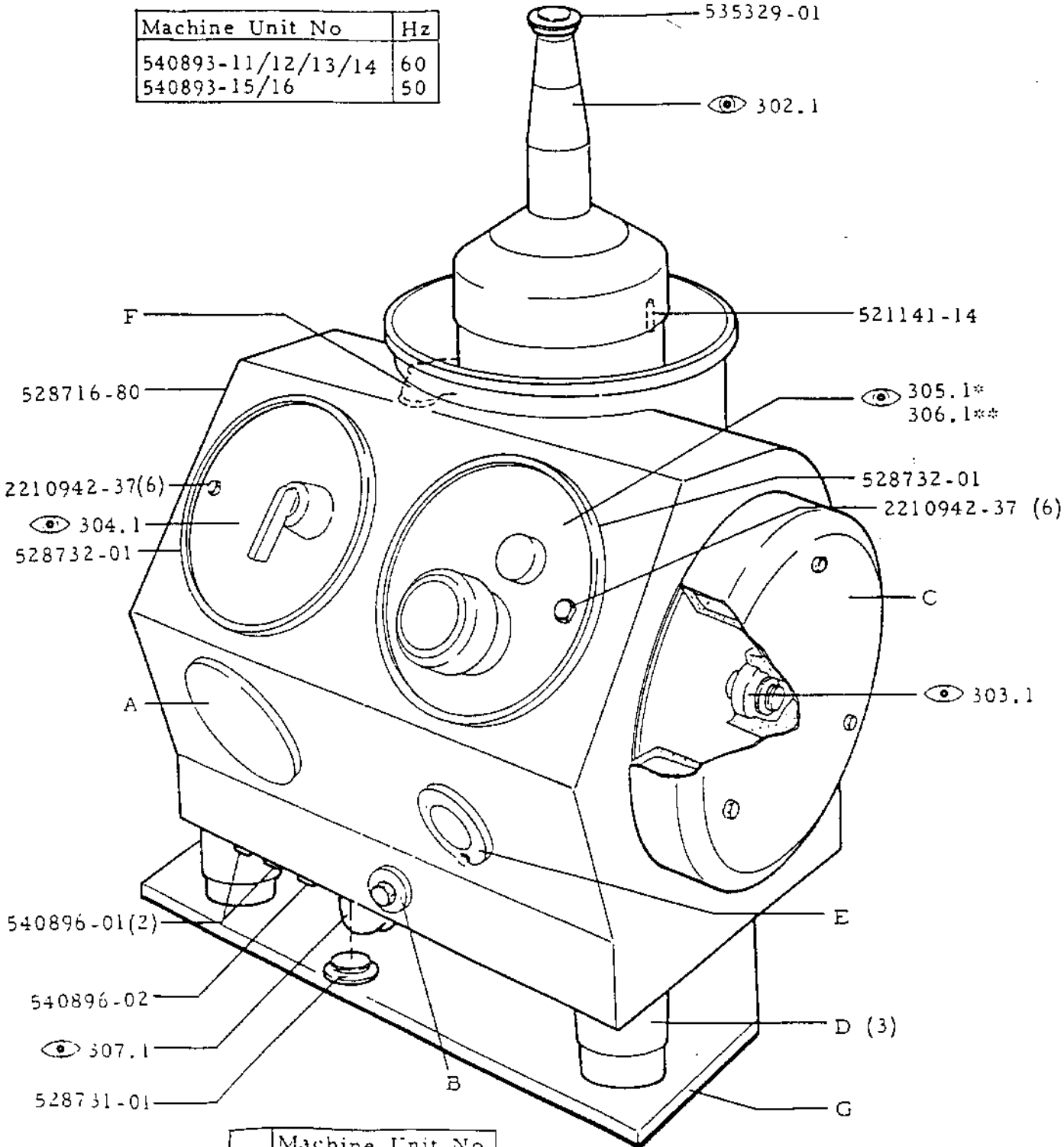
| Machine Unit No. | |
|------------------|-----------|
| * | 542194-02 |
| ** | 542194-03 |

Description
Machine bottom part

Machine Unit No
540893-11/12/13/14/15/16

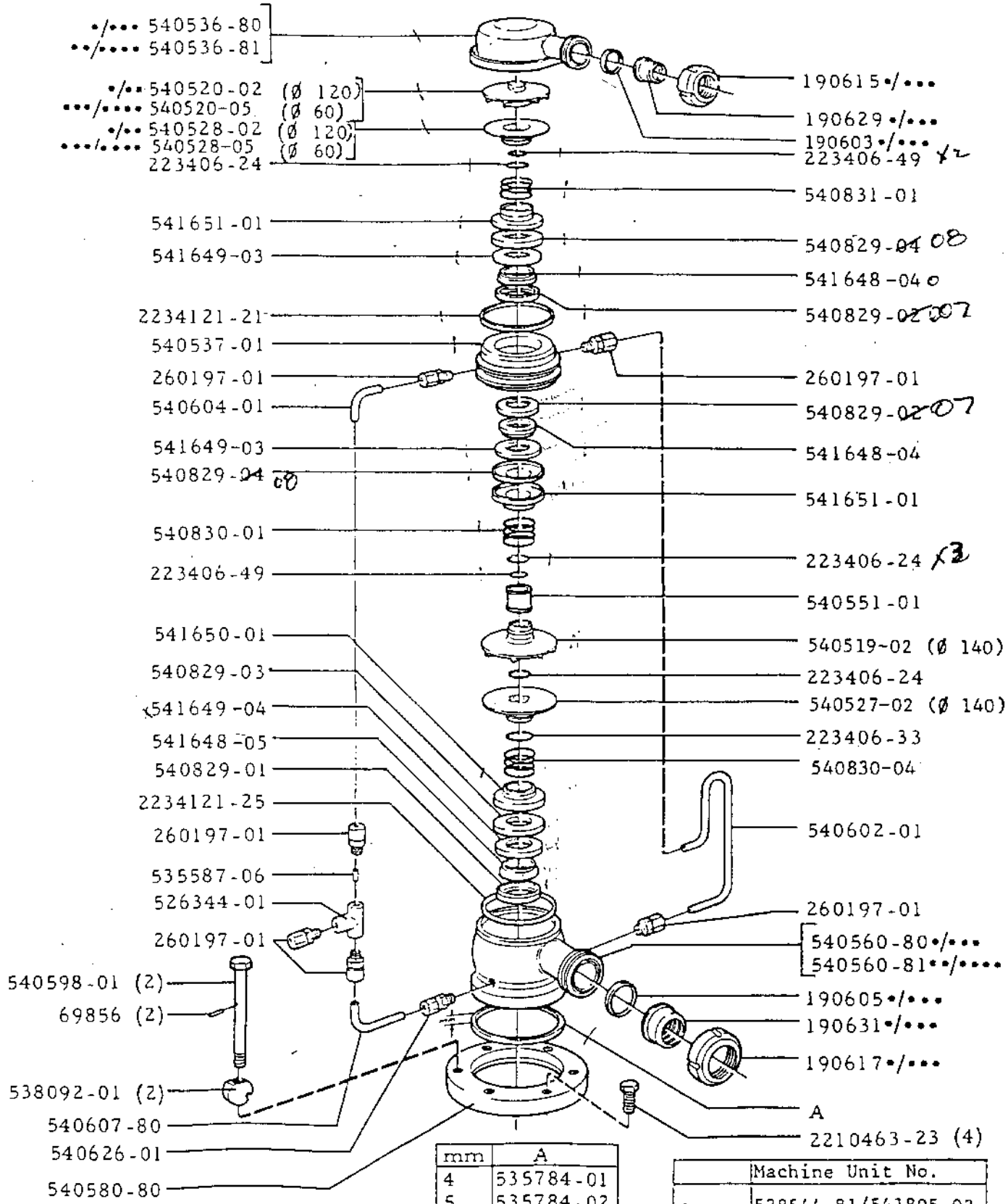
Page
300.1
Date
82-10

| Machine Unit No | Hz |
|--------------------|----|
| 540893-11/12/13/14 | 60 |
| 540893-15/16 | 50 |



| | Machine Unit No |
|----|-----------------|
| * | 540893-11/13/15 |
| ** | 540893-12/14/16 |

A, B, C, D, E, F, G 301.1

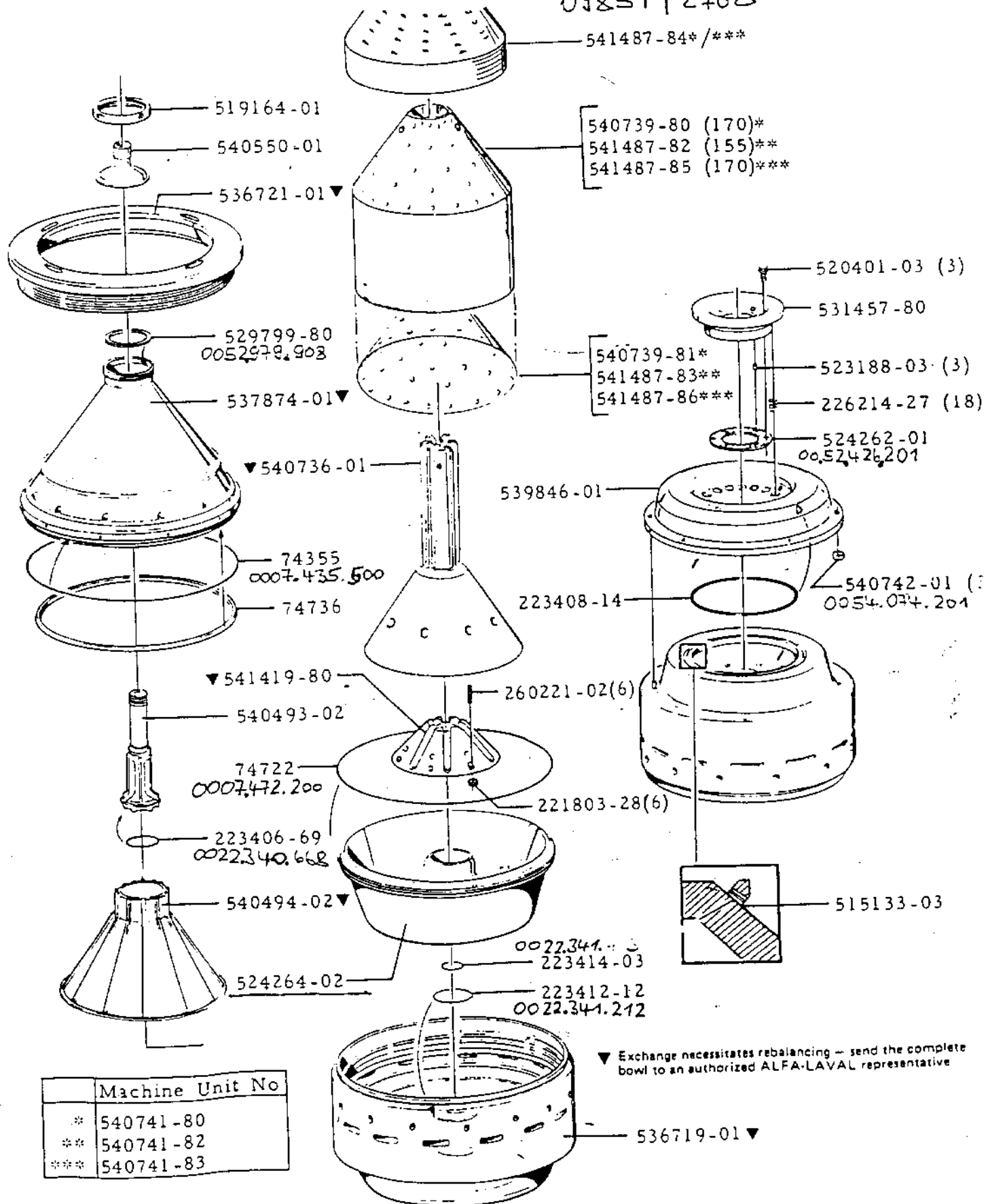


0000006

| mm | A |
|----|-----------|
| 4 | 535784-01 |
| 5 | 535784-02 |
| 6 | 535784-03 |
| 7 | 535784-04 |
| 8 | 535784-05 |

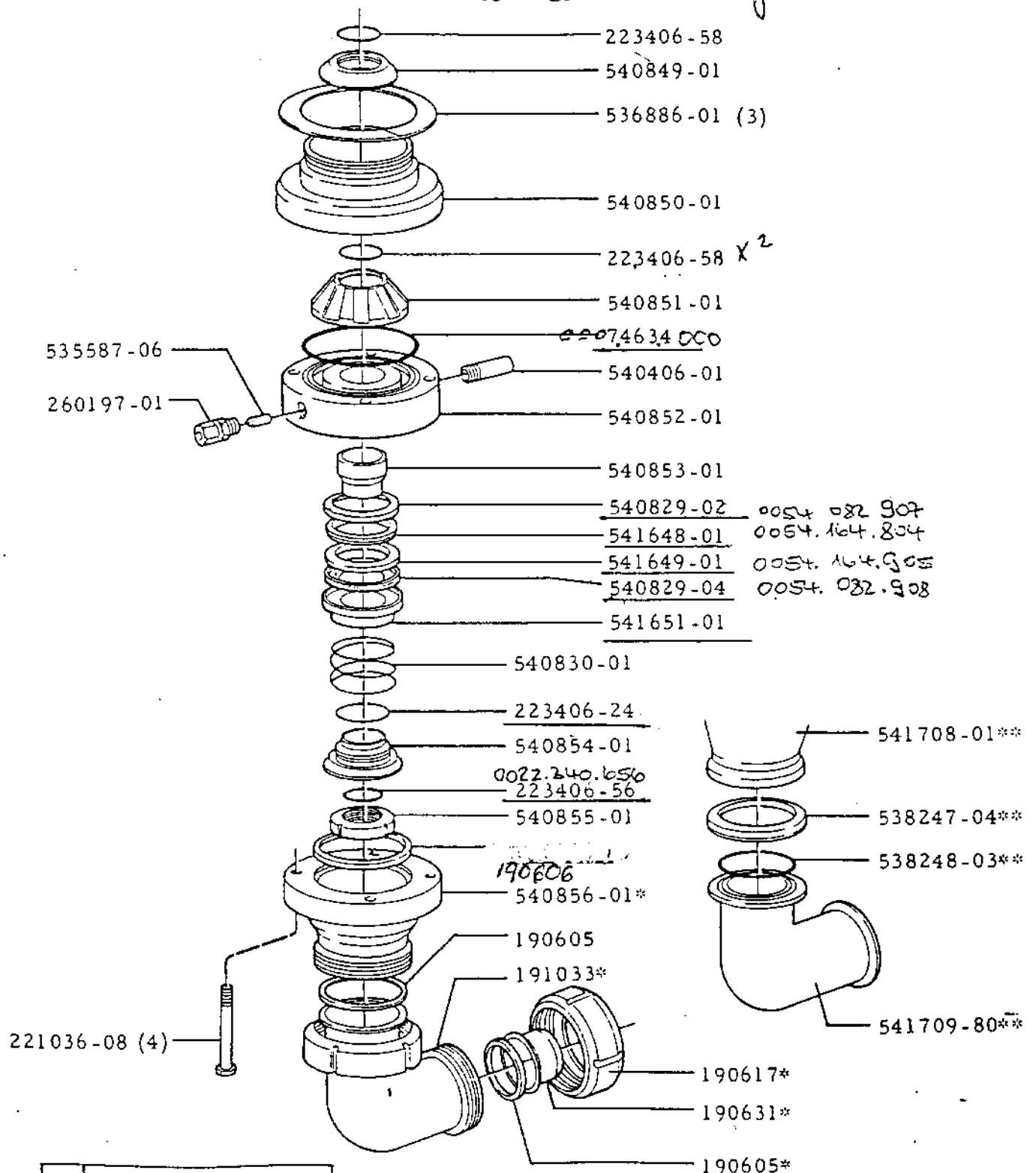
| | Machine Unit No. |
|------|---------------------|
| • | 538544-81/541805-02 |
| •• | 538544-82/541805-03 |
| ••• | 541805-04 |
| •••• | 541805-05 |

09251 | 2708



| | Machine Unit No |
|-----|-----------------|
| * | 540741-80 |
| ** | 540741-82 |
| *** | 540741-83 |

Revised drawing

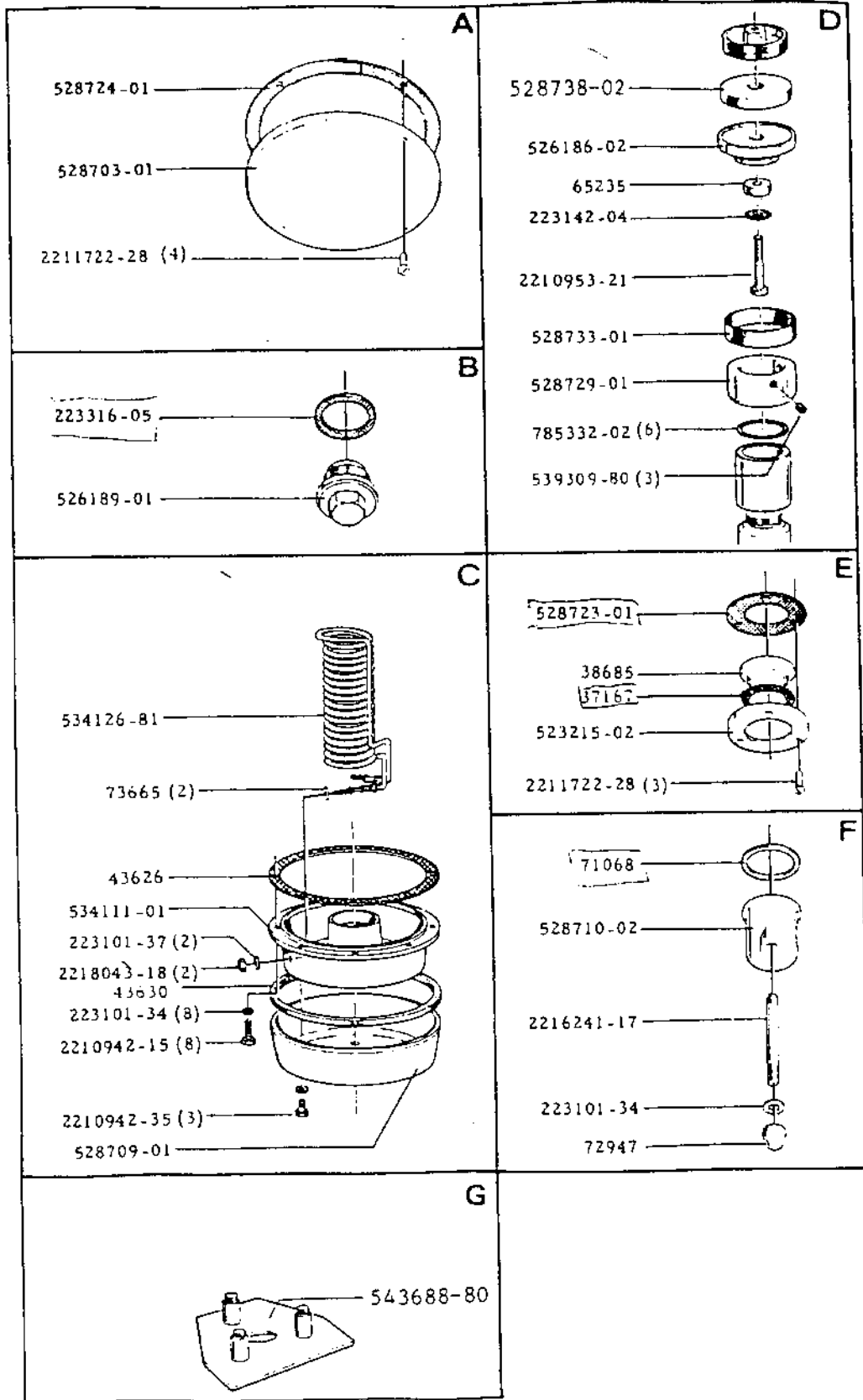


| | Machine Unit No |
|----|--------------------|
| * | 540893-11/12/15/16 |
| ** | 540893-13/14 |

Description
Frame parts

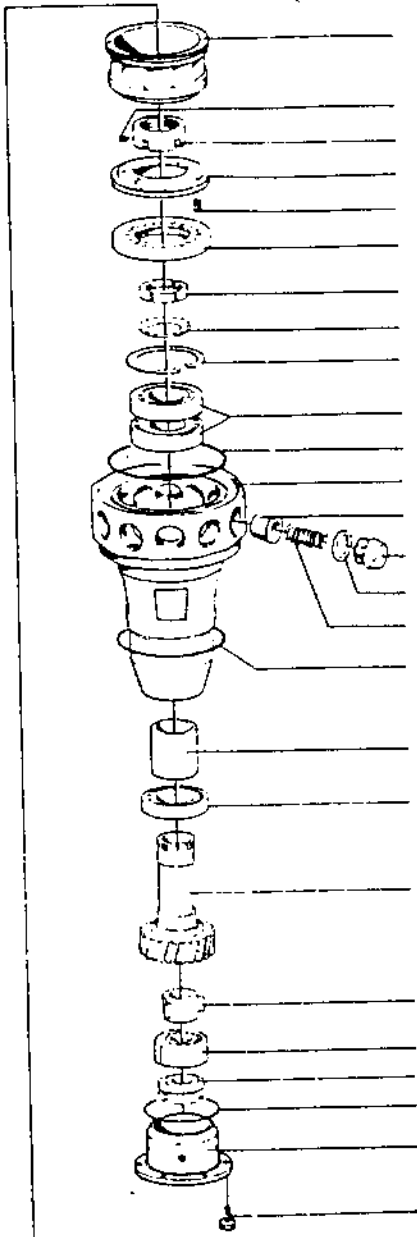
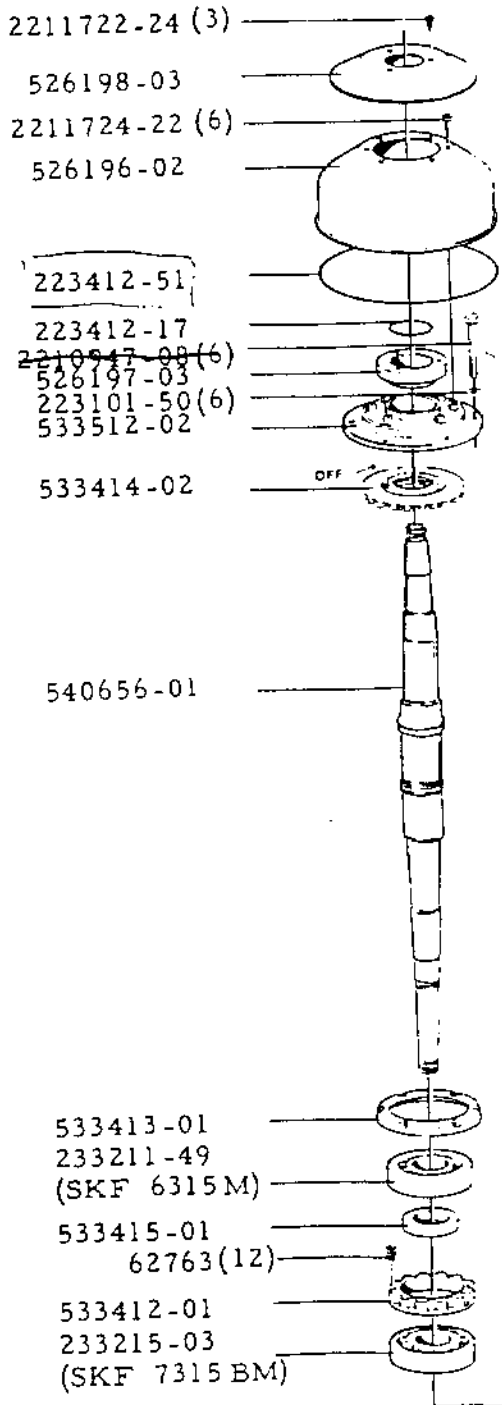
Machine Unit No
540893-11/12/13/14/15/16

Page
301.1
Date
82-10



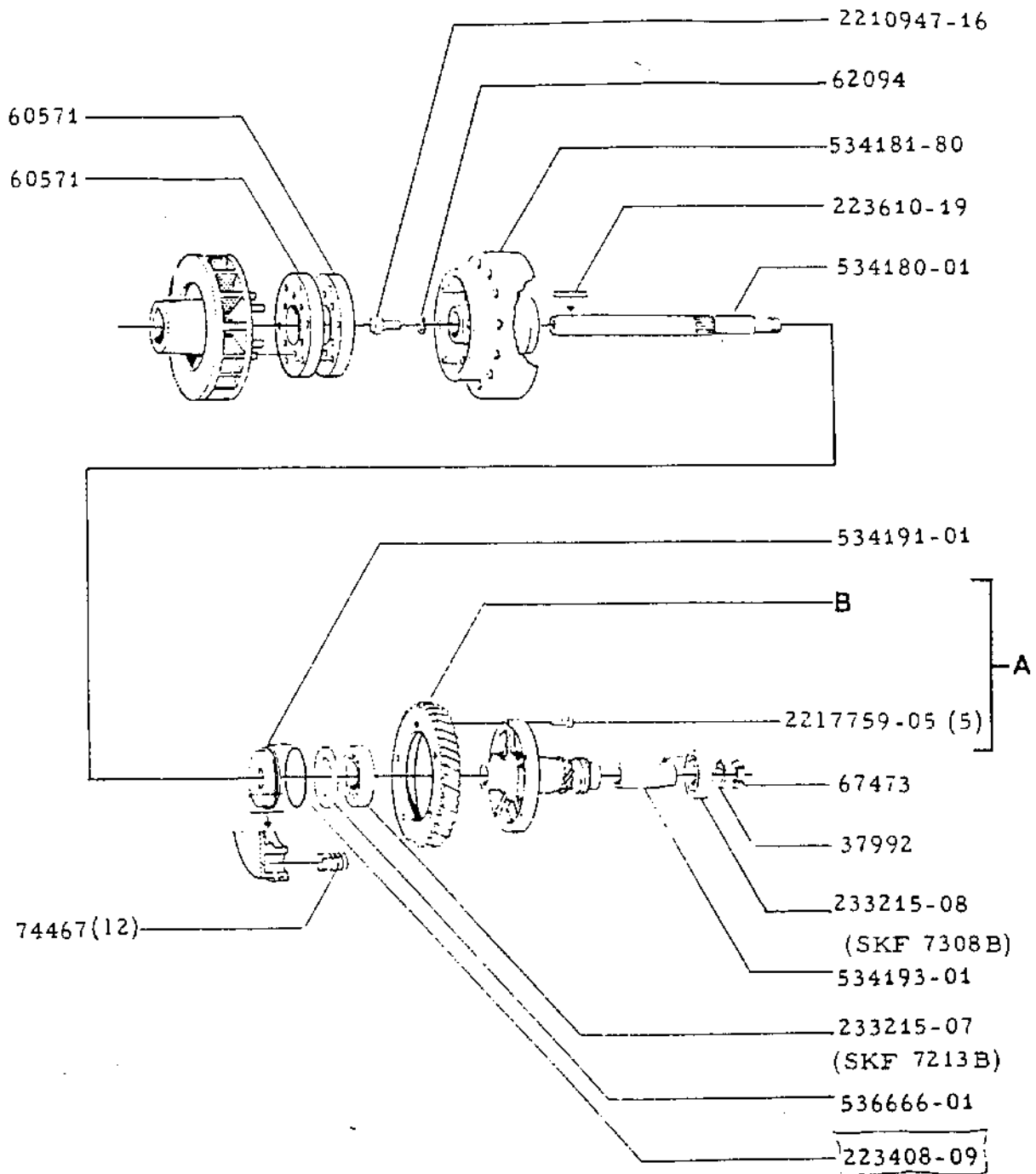
| | |
|--|--------------------------|
| Description | Machine Unit No |
| Driving device, vertical 537484-98/99 | 540893-11/12/13/14/15/16 |

| |
|--------------|
| Page |
| 302.1 |
| Date |
| 81-09 |



- 533411-01
- 221545-02 (2)
- 533416-01
- 533417-01
- 70340 (20)
- 533418-01
- 66312
- 66313
- 223642-45
- 69850 (SKF 7214 BM) x2
- 223412-42 x2
- 534143-01
- 70346 (12)
- 528776-01 (12)
- 72473 (12)
- 65197 (12)
- 223412-42
- 534276-01
- 65187 (SKF 6014 M)
- A**
- 71973
- 69843 (SKF 2309M)
- 536780-01
- 38411
- 535785-01
- 2210942-37 (6)

| Machine Unit No | Hz | A |
|--------------------|----|-----------|
| 540893-11/12/13/14 | 60 | 534275-18 |
| 540893-15/16 | 50 | 534275-16 |



| Machine Unit No | Hz | A | B |
|--------------------|----|-----------|-----------|
| 540893-11/12/13/14 | 60 | 538049-84 | 538051-06 |
| 540893-15/16 | 50 | 538049-83 | 538051-04 |

