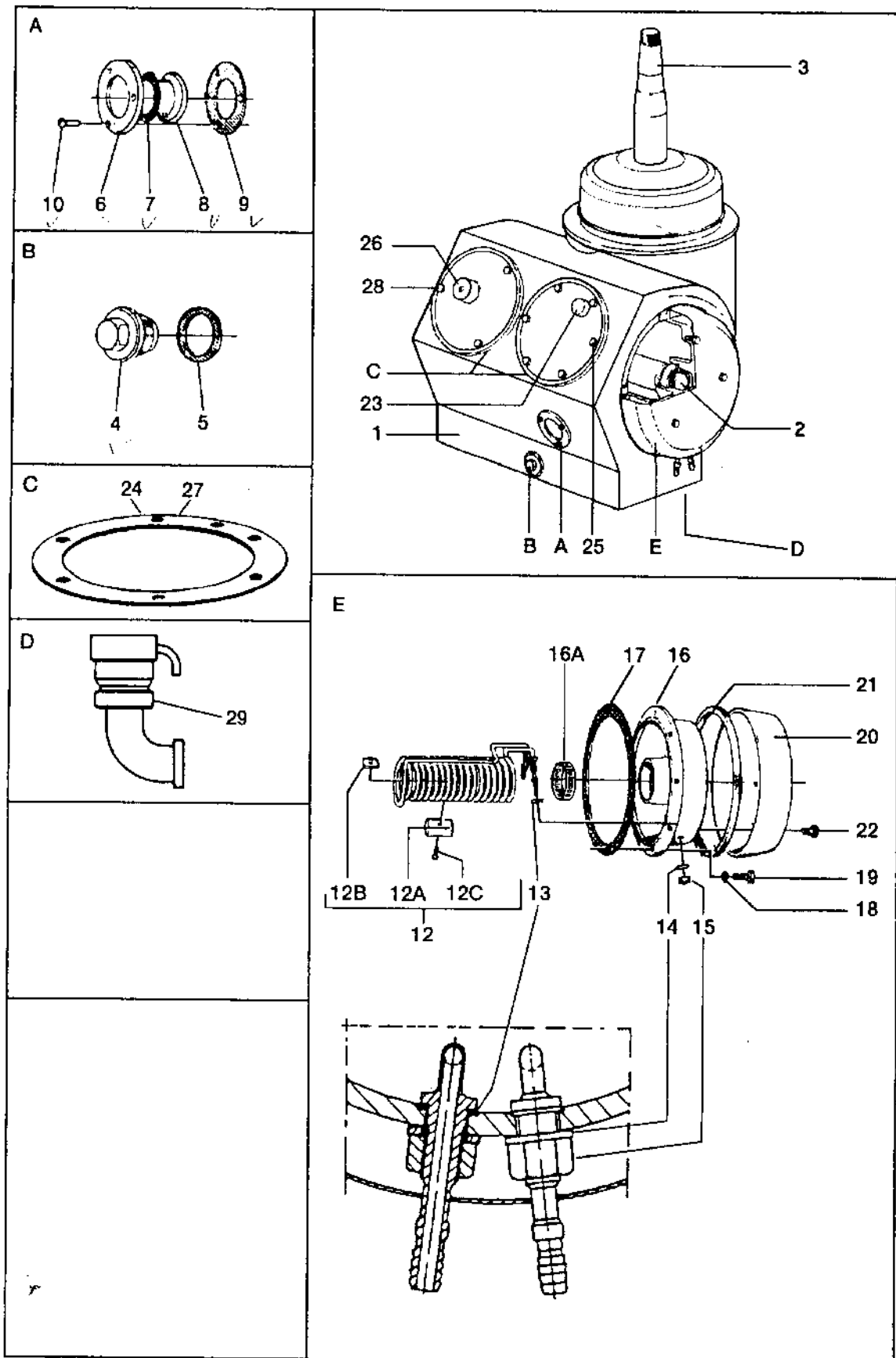


Hutchison-Hayes Separators, Inc.

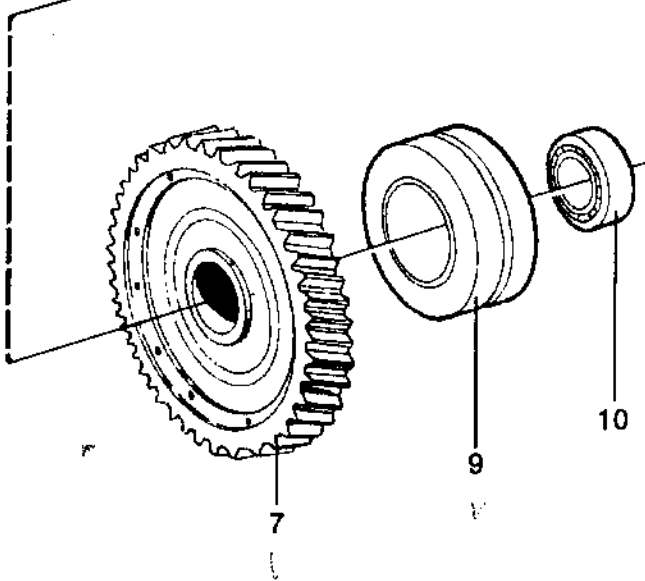
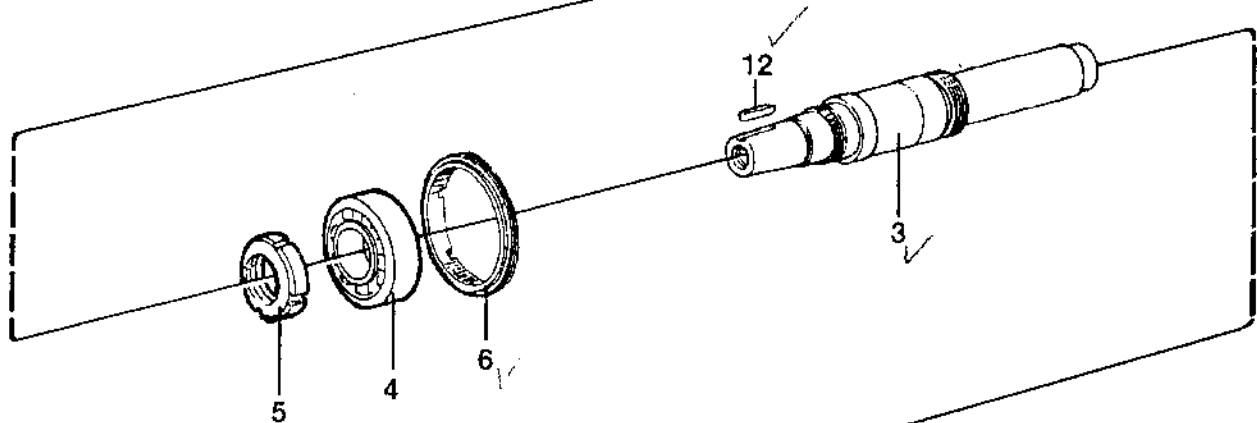
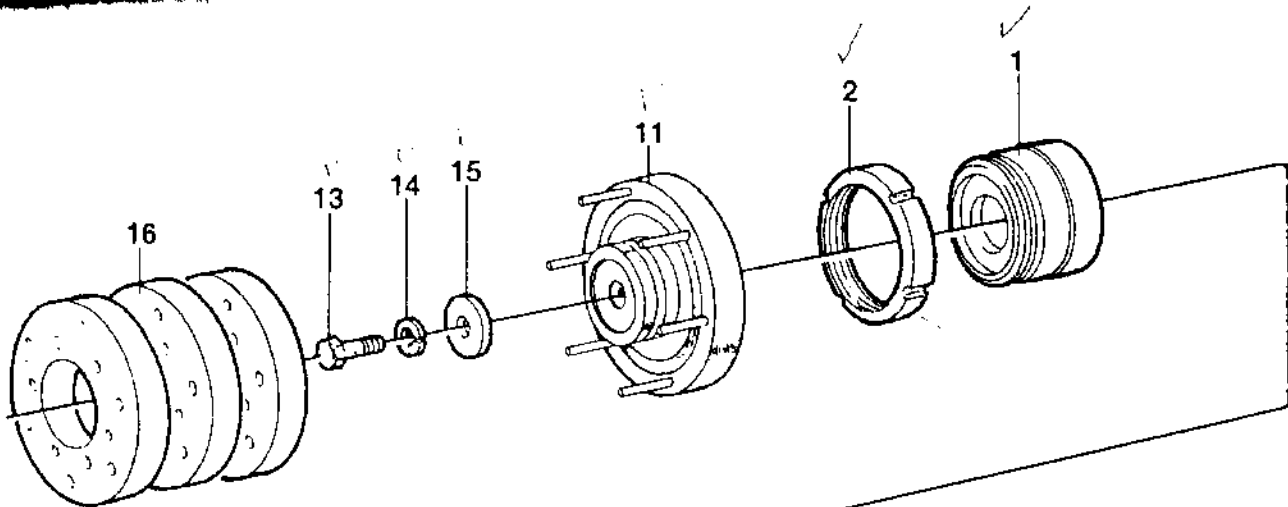
Model C/W/HMRPX-618 HGV Parts List With Diagrams

P.O. Box 2965 ♦ Houston, Texas 77252
3520 East Belt ♦ Houston, Texas 77015
(713) 455-9600 ♦ Fax (713) 455-7753



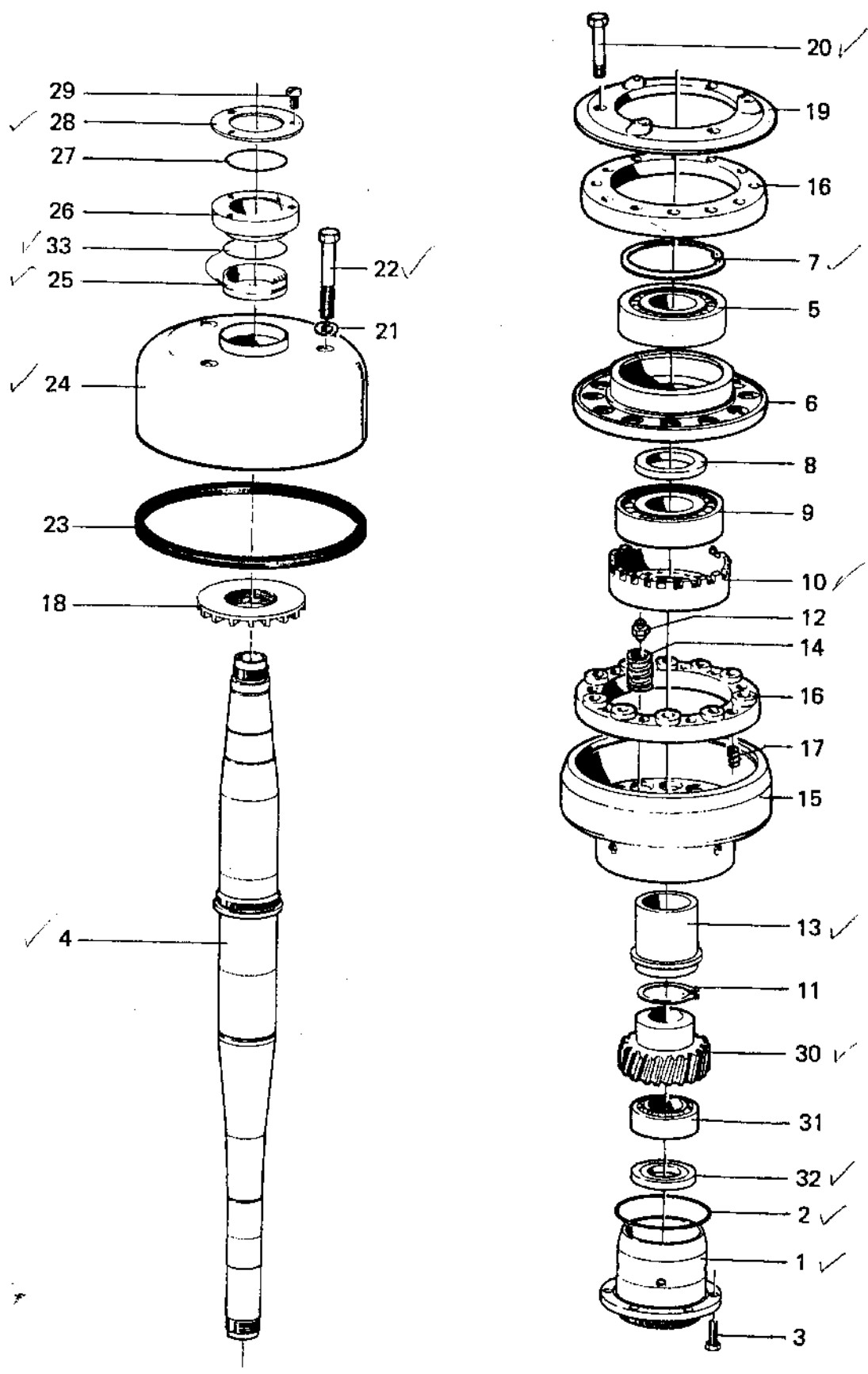
C-01224-0-1

Rev.	Part No	Description	Machine unit No or Subassembly description / Qty							Notes	
			553136 -								
			- 13	- 14	- 23						
-	-	For motor 50 Hz.....	↓	↓	↓	-	-	-	-	-	SMS coupling
-	-	For motor 60 Hz.....	-	↓	↓	-	-	-	-	-	SMS coupling
-	-	For motor 60 Hz.....	-	-	↓	-	-	-	-	-	Clamp coupling
1	541901 80	Frame bottom part.....	1	1	1	-	-	-	-	-	
2	546423 80	Driving device horizontal.....	1	-	-	-	-	-	-	-	See page 010-1.1
2	546423 81	Driving device horizontal.....	-	1	1	-	-	-	-	-	See page 010-1.1
3	546800 85	Driving device vertical.....	1	-	-	-	-	-	-	-	See page 010-1.2
3	546800 86	Driving device vertical.....	-	1	1	-	-	-	-	-	See page 010-1.2
4	526189 01	Drain screw.....	1	1	1	-	-	-	-	-	
5	223316 05	Rectangular ring.....	1	1	1	-	-	-	-	-	
6	523215 02	Fixing plate.....	1	1	1	-	-	-	-	-	
7	37167	Rectangular ring.....	1	1	1	-	-	-	-	-	
8	36685	Glass disc.....	1	1	1	-	-	-	-	-	
9	528723 01	Gasket.....	1	1	1	-	-	-	-	-	
10	221131 08	Screw.....	3	3	3	-	-	-	-	-	
12	534126 83	Cooling coil.....	1	1	1	-	-	-	-	-	
12A	534127 01	Magnet.....	1	1	1	-	-	-	-	-	
12B	534128 01	Washer.....	1	1	1	-	-	-	-	-	
12C	260250 05	Screw.....	1	1	1	-	-	-	-	-	
13	73665	Rectangular ring.....	2	2	2	-	-	-	-	-	
14	223101 37	Washer.....	2	2	2	-	-	-	-	-	
15	221803 40	Nut.....	2	2	2	-	-	-	-	-	
16	543494 80	Bearing shield.....	1	1	1	-	-	-	-	-	
16A	545063 03	Tolerance ring.....	1	1	1	-	-	-	-	-	
17	43626	Gasket.....	1	1	1	-	-	-	-	-	
18	223101 61	Washer.....	8	8	8	-	-	-	-	-	
19	221041 01	Screw.....	8	8	8	-	-	-	-	-	
	528709 01	Guard.....	1	1	1	-	-	-	-	-	
	43630	Seal strip.....	1	1	1	-	-	-	-	-	
22	221041 20	Screw.....	2	2	2	-	-	-	-	-	
23	528753 85	Worm wheel guard.....	1	1	1	-	-	-	-	-	See page 010-1.3
24	528732 01	Gasket.....	1	1	1	-	-	-	-	-	
25	221041 20	Screw.....	6	6	6	-	-	-	-	-	
26	535336 81	Remote control brake.....	1	1	1	-	-	-	-	-	See page 010-1.4
27	528732 01	Gasket.....	1	1	1	-	-	-	-	-	
28	221041 20	Screw.....	3	3	3	-	-	-	-	-	
29	546657 81	Feed device.....	1	1	-	-	-	-	-	-	See page 010-1.5
29	546657 82	Inlet device.....	-	-	1	-	-	-	-	-	See page 010-1.5



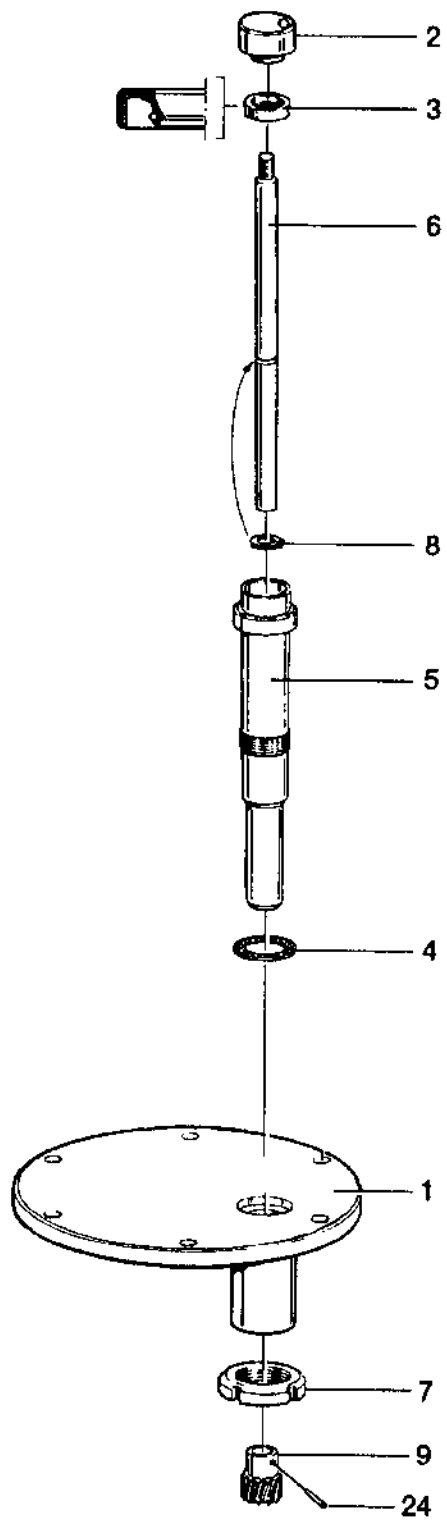
C-00085-0<

Ref.	Part No	Description	Machine unit No. or Subassembly description / Qty 548423 -							Notes
			- 80	- 81						
1	544786 01	Bearing housing.....	1	1						
2	541985 01	Round nut.....	1	1						
3	546424 80	Worm wheel shaft.....	1	1						
4	233211 94	Ball bearing.....	1	1						
5	67478	Round nut.....	1	1						
6	544789 01	Lock ring.....	1	1						
7	544950 01	Worm wheel.....	1	-	-	-	-	-	-	50 Hz
7	544950 02	Worm wheel.....	-	1	-	-	-	-	-	60 Hz
9	541988 01	Clamp element.....	1	1						
10	8379	Ball bearing.....	1	1						
11	544783 80	Coupling disc.....	1	1						
12	223610 32	Flat key.....	1	1						
13	260001 39	Screw.....	1	1						
14	223107 28	Spring washer.....	1	1						
15	541991 01	Washer.....	1	1						
16	60571	Elastic plate.....	3	3						



C-00331-0-2

Ref.	Part No	Description	Machine unit No or Subassembly description / Qty 546800 -							Notes
			- 85	- 86						
1	546607 01	Bottom bearing housing	1	1						
2	223406 17	O-ring	1	1						
3	221721 12	Screw	6	6						
4	546439 01	Bowl spindle	1	1						
5	548747 07	Ball bearing	1	1						
6	542451 02	Ball bearing housing	1	1						
7	223642 49	Snap ring	1	1						
8	533415 01	Spacing sleeve	1	1						
9	548745 04	Ball bearing	1	1						
10	542450 02	Bearing housing	1	1						
11	223641 01	Snap ring	1	1						
12	538129 01	Guide pin	12	12						
13	543318 01	Sleeve	1	1						
14	260083 41	Compression spring	12	12						
15	542452 02	Top bearing support	1	1						
16	529639 02	Rubber buffer	2	2						
17	70714	Spring	12	12						
18	542028 02	Oil fan	1	1						
19	542027 02	Top bearing cover	1	1						
20	221045 35	Screw	3	3						
21	541453 05	Usit-ring	3	3						
22	221046 16	Screw	3	3						
23	555231 01	Seal ring	1	1						
24	543179 01	Guard	1	1						
25	544271 01	Seal ring	1	1						
26	544272 01	Protecting collar	1	1						
27	223412 18	O-ring	1	1						
	543188 01	Protecting plate	1	1						
	221131 07	Screw	3	3						
30	541661 01	Worm	1	-	-	-	-	-	-	50 Hz
30	541661 02	Worm	-	1	-	-	-	-	-	60 Hz
31	548746 04	Ball bearing	1	1						
32	546601 01	Protecting collar	1	1						
33	223406 36	O-ring	1	1						



C-00737-0-3

H/W/MRPX 818GV-74C

Machine bottom part

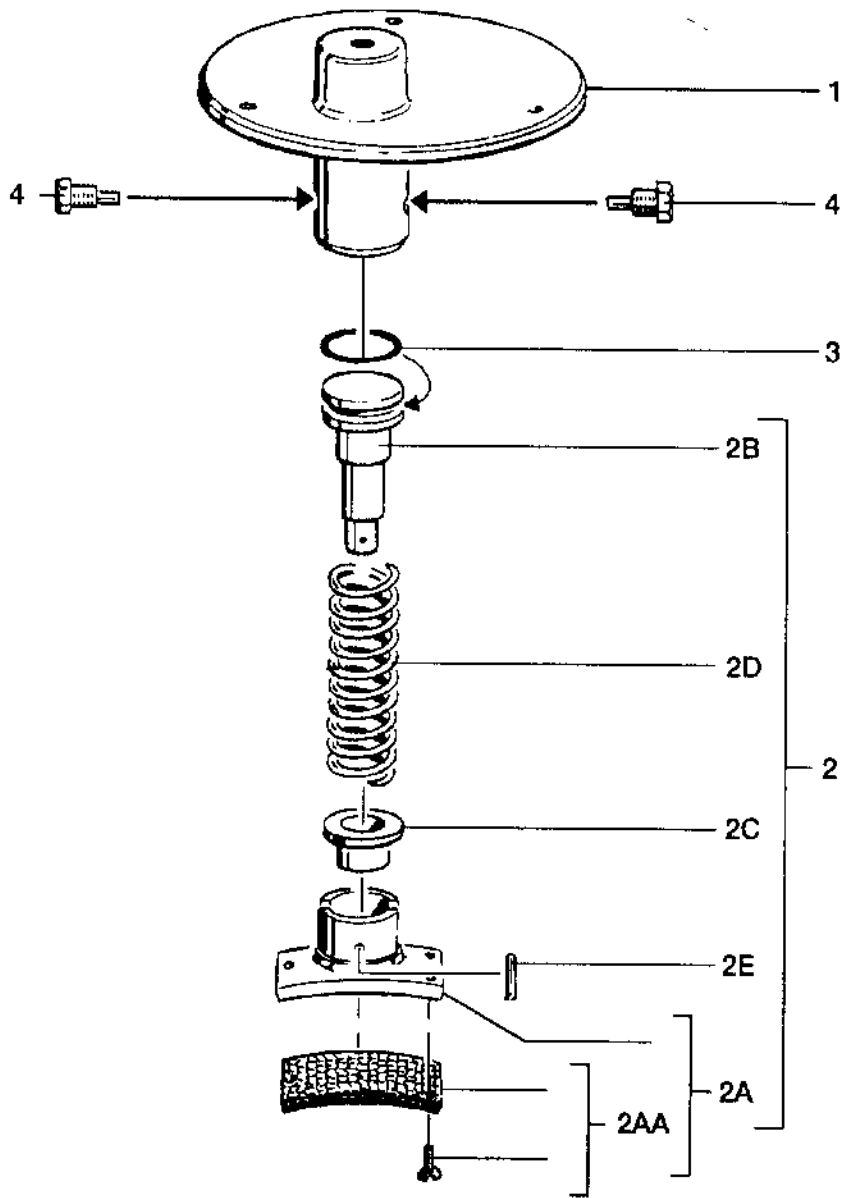
Subassembly description

Worm wheel guard

Fig. ref
C-00737-0-3

Date
93-05

Ref.	Part No	Description	Machine unit No or Subassembly description / Qty 528753 -								Notes
			- 85								
1	544165 02	Worm wheel guard.....	1								
2	526694 03	Protecting collar.....	1								
3	223521 08	Seal ring	1								
4	223434 02	Rectangular ring	1								
5	528743 01	Bushing.....	1								
6	526693 04	Shaft	1								
7	67473	Round nut.....	1								
8	67542	Snap ring	1								
9	69214	Gear wheel	1								
24	69226	Taper pin	1								



C-00736-0-2

H/W/MRPX 818HGV-74C

Machine bottom part

Fig. ref

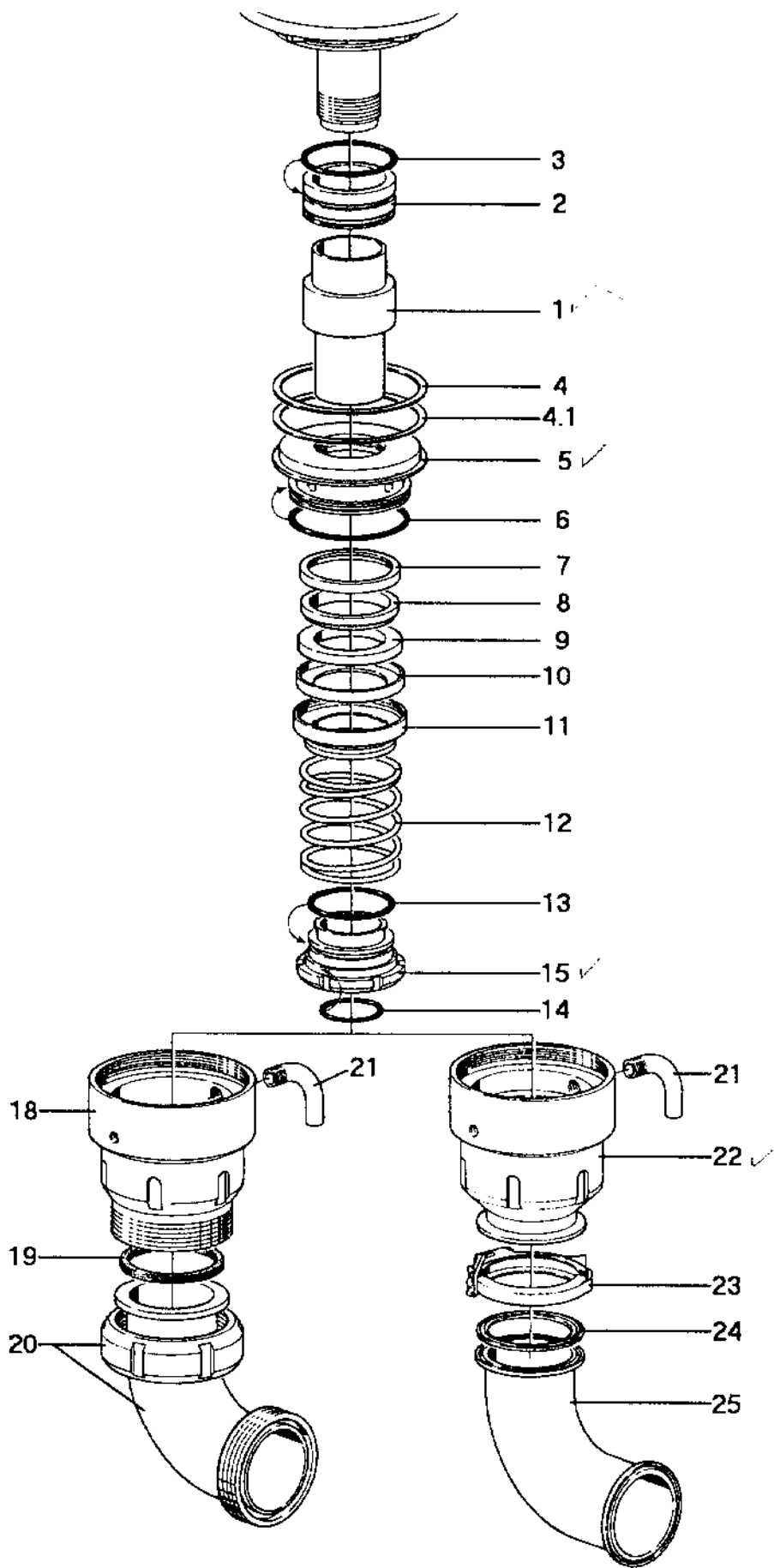
C-00738-0-2

Date
93-05

Subassembly description

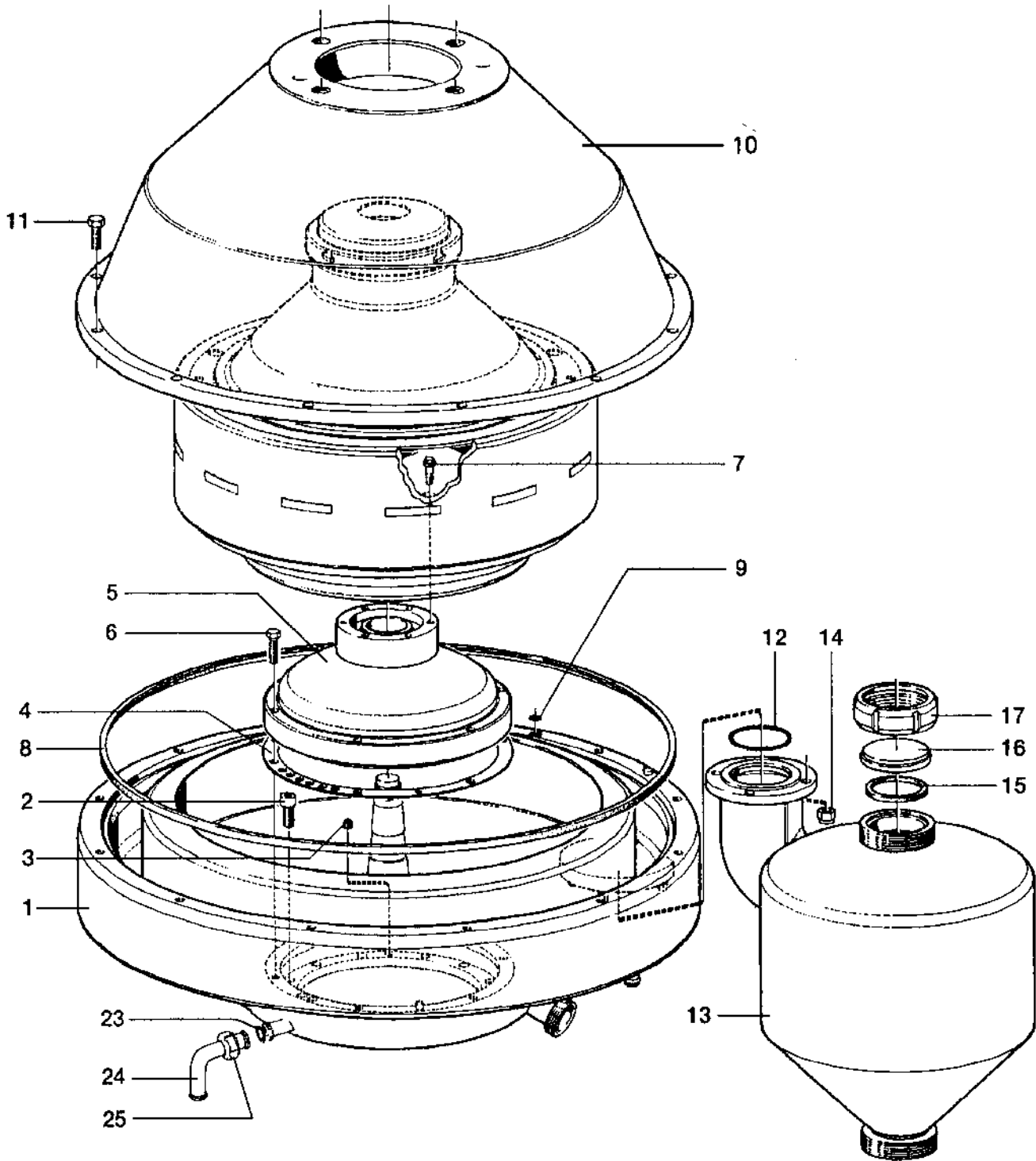
Remote control brake

Ref.	Part No	Description	Machine unit No. or Subassembly description / Qty 535338 -								Notes
			- 81								
1	544788 80	Protecting cover.....	1								
2	535201 83	Brake shoe	1								
2A	537602 86	Brake shoe.....	1								
2AA	310637 84	Friction pad	1								
2B	535202 01	Piston rod.....	1								
2C	535206 01	Gland	1								
2D	226214 83	Spring	1								
2E	67960	Slotted pin.....	1								
3	223406 27	O-ring.....	1								
4	535207 01	Stop screw.....	2								



C-00728-0-6

Ref.	Part No	Description	Machine unit No or Subassembly description / Qty 546657 -							Notes
			- 81	- 82						
-	-	With SMS coupling	↓							
-	-	With Clamp coupling		↓						
1	546636 01	Sleeve	1	1						
2	546635 01	Radiation ring	1	1						
3	223406 15	O-ring	1	1						
4	546637 01	Height adjusting ring	3	3	-	-	-	-	-	T = 1.0 mm
4.1	546637 02	Height adjusting ring	1	1	-	-	-	-	-	T = 0.5 mm
5	546610 01	Intermediate part	1	1						
6	223406 14	O-ring	1	1						
7	540829 05	Gasket	1	1						
8	541648 05	Seal ring	1	1						
9	541649 06	Wear ring	1	1						
10	540829 06	Gasket	1	1						
11	541650 01	Holder for wear ring	1	1						
12	545499 02	Compression spring	1	1						
13	260104 79	O-ring	1	1						
14	223406 58	O-ring	1	1						
15	546450 01	Guide sleeve	1	1						
18	546655 01	Inlet housing	1							
19	190605	Rectangular ring	1							
20	191033	Elbow pipe	1							
21	545461 01	Tube bend	1	1						
22	548412 01	Inlet housing		1						
23	538247 04	Clamp coupling		1						
24	538248 03	Gasket		1						
25	541709 80	Elbow pipe		1						

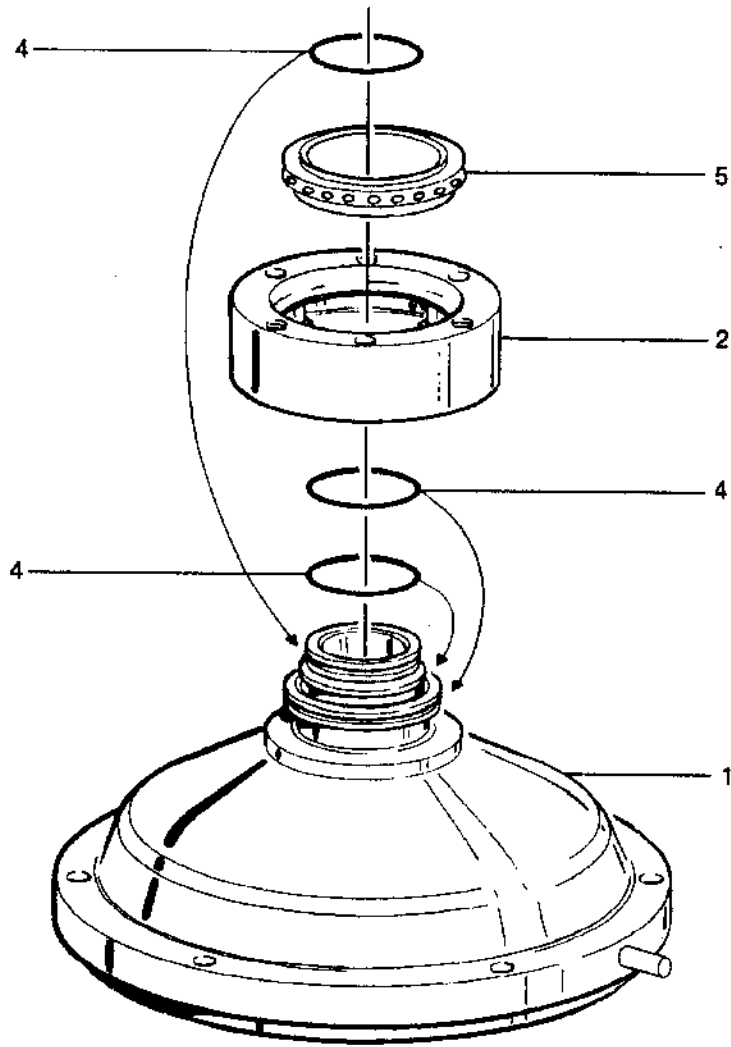


C-00561-0-6

H/W/MRPX 618HGV-74C	Machine top part
	Subassembly description

Fig. ref C-00581-0-6
Date 93-05

Ref.	Part No	Description	Machine unit No or Subassembly description / Qty 545525 -							Notes
			- 12							
1	545778 82	Frame top part	1							
2	221731 08	Screw	12							
3	260080 36	Stop screw	3							
4	539244 02	Height adjusting ring	5							
5	528249 85	Paring disc device	1	--	--	--	--	--	--	See page 020-1.1
6	221046 04	Screw	6							
7	545633 01	Screw	3							
8	545318 01	Seal strip	1							
9	223406 25	O-ring	1							
10	546540 80	Frame hood	1							
11	2 210463 23	Screw	12							
12	31317 0886 1	Rectangular ring	1							
13	542991 03	Cyclone	1							
14	221891 17	Lock nut	4							
15	31317 0886 1	Rectangular ring	1							
16	31317 0334 1	Washer	1							
17	31317 0884 1	Coupling nut	1							
23	190601	Rectangular ring	1							
24	191603	Hose liner	1							
25	190613	Coupling nut	1							

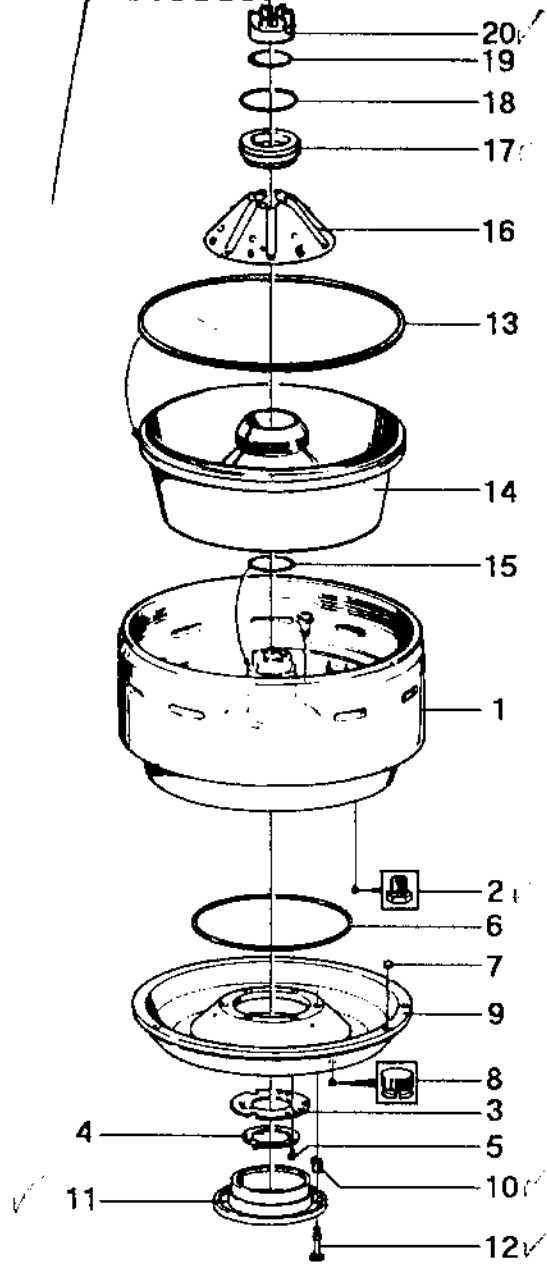
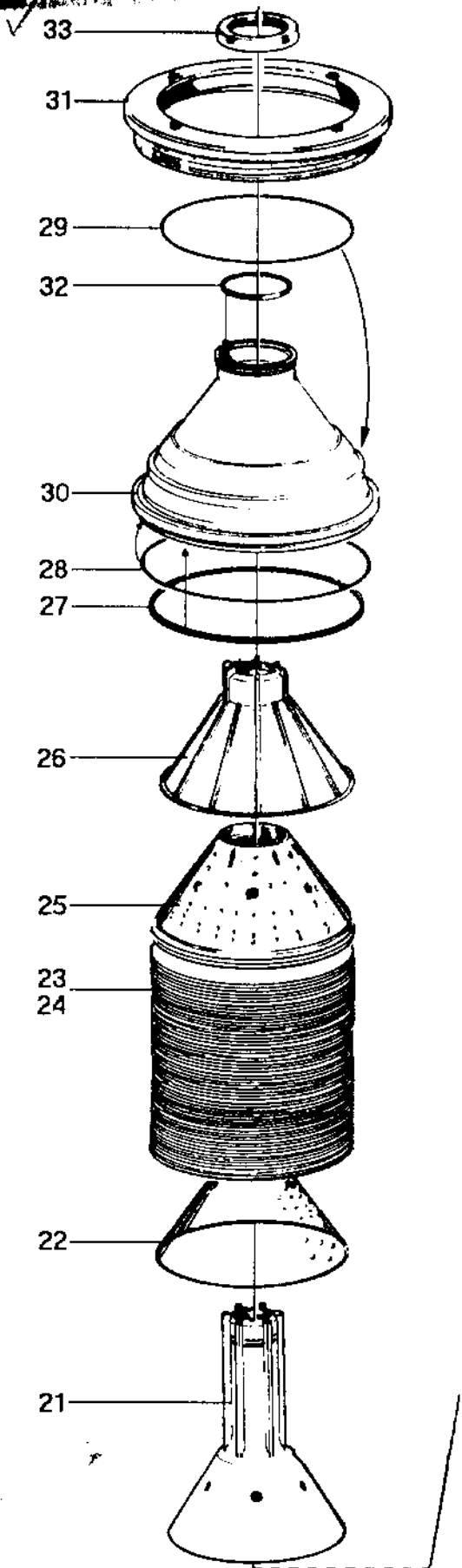


C-00735-0-2

H/W/MRPX 818HGV-740	Machine top part
	Subassembly description
	Paring disc device

Fig. ref C-00735-0-2
Date 93-05

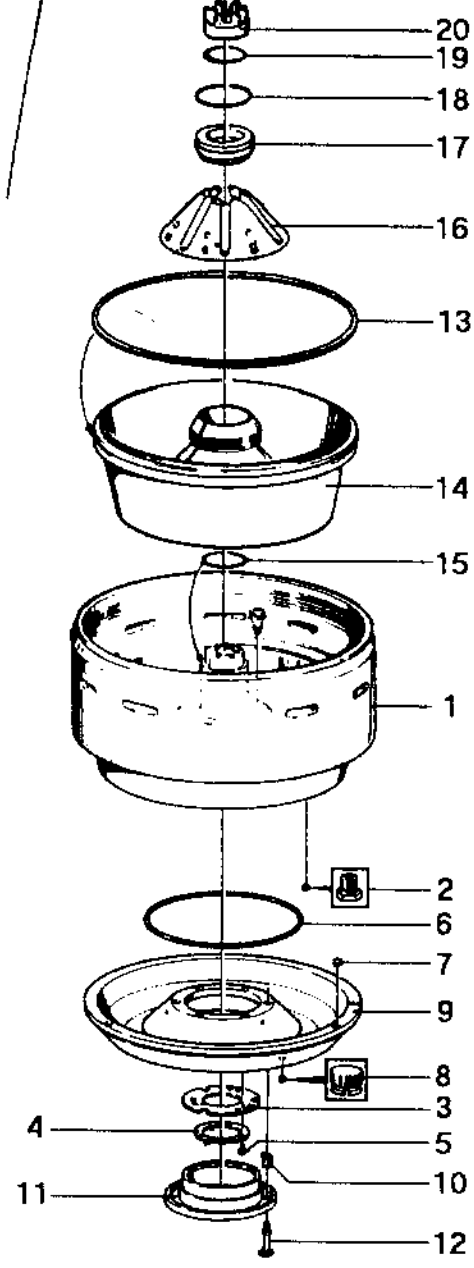
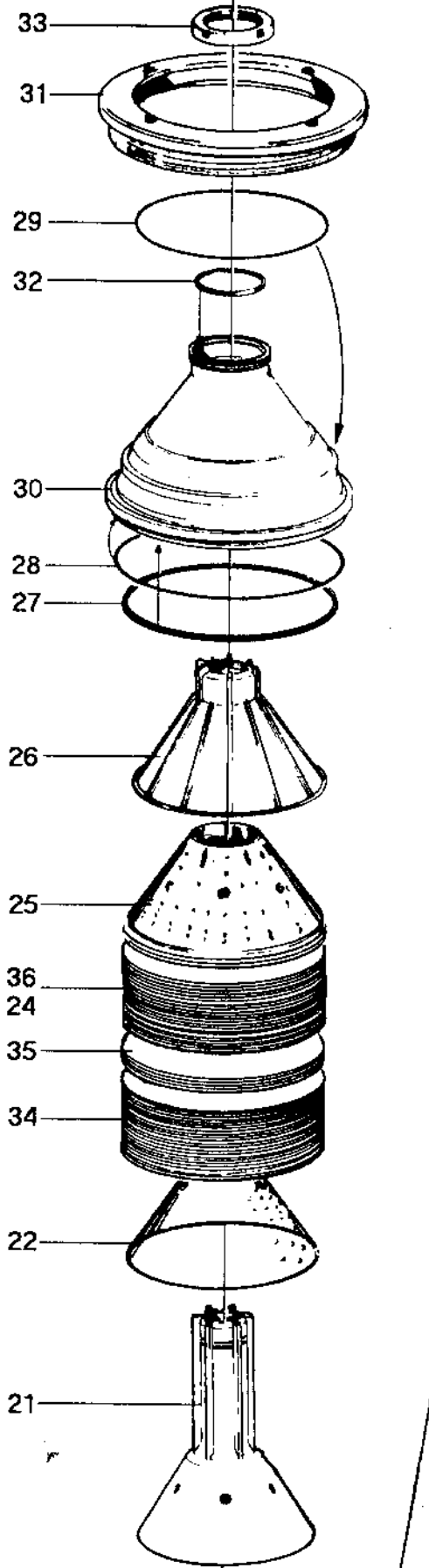
Ref.	Part No	Description	Machine unit No or Subassembly description / Qty 528249 -								Notes
			- 85								
1	539242 81	Distributing cover.....	1								
2	528094 83	Distributing ring.....	1								
4	74634	O-ring.....	3								
5	544326 01	Control paring disc.....	1								



C-0001-0-1

Ref.	Part No	Description	Machine unit No or Subassembly description / Qty 546272 -								Notes
			- 10								
1	541598 81	Bowl body	1	--	--	--	--	--	--	--	■
2	538124 08	Nozzle 5 mm	1								
3	543343 01	Gasket	1								
4	529608 01	Sleeve with wings	1								
5	221131 03	Screw	3								
6	543422 02	Rectangular ring	1								
7	537838 06	Valve plug	3								
8	545771 01	Plug	2								
9	539834 02	Operating slide	1	--	--	--	--	--	--	--	■
10	226214 74	Spring	24								
11	541690 81	Spring support	1	--	--	--	--	--	--	--	■
12	528168 02	Screw	6								
13	523116 04	Rectangular ring	1								
14	541692 04	Sliding bowl bottom	1								
15	223416 35	O-ring	1								
16	541334 81	Distributing cone	1	--	--	--	--	--	--	--	■
17	542182 01	Cap nut	1								
18	223406 64	O-ring	1								
19	223406 58	O-ring	1								
20	545769 02	Sleeve with wings	1								
21	545781 01	Distributor	1	--	--	--	--	--	--	--	■
22	541741 81	Bottom disc	1								
23	541741 85	Bowl disc	219								
24	541741 85	Bowl disc	3								
25	541741 84	Bowl disc	2								
26	541353 02	Top disc	1	--	--	--	--	--	--	--	■
27	543170 01	Seal ring	1								
28	521863 02	Rectangular ring	1								
29	74355	O-ring	1								
30	541366 02	Bowl hood	1	--	--	--	--	--	--	--	■
31	541354 02	Lock ring	1	--	--	--	--	--	--	--	■
32	529799 08	Rectangular ring	1								
33	519164 01	Lock ring	1								
99	537086 02	Molybdenum disulfide past	--	--	--	--	--	--	--	--	MOLYCOTE 1000, 1 KG

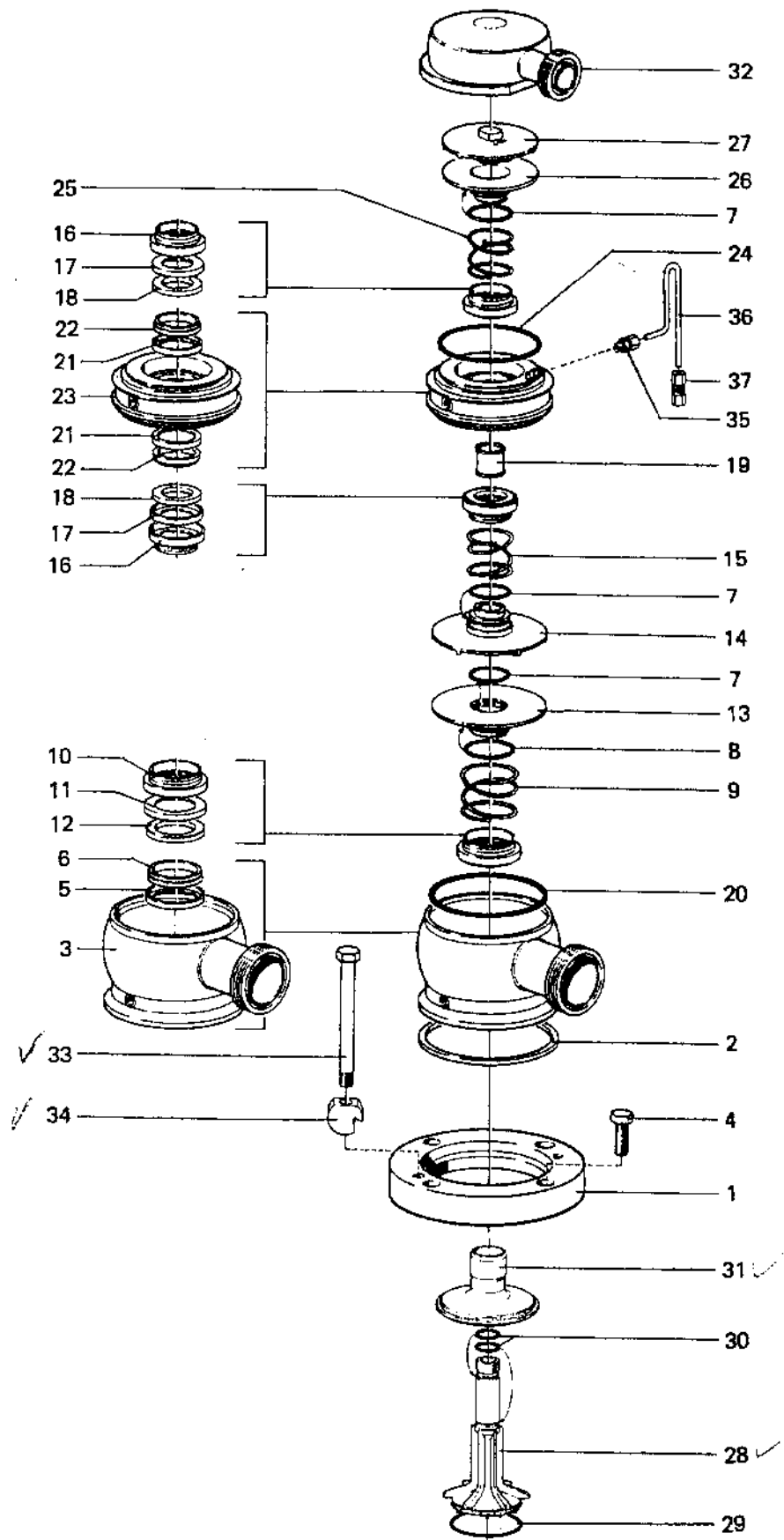
■ Utbyte nödvändig för ombalansering av kulan. Exchange necessitates rebalancing of bowl. Austausch erfordert Wiederauswuchtung der Trommel. L'échange nécessite le rééquilibrage du bol. El cambio hace necesario un nuevo equilibrado del rotor. La sostituzione comporta la riequilibratura del tamburo. A substituição exige o reequilíbrio do rotor. Vaihdettaessa kuula tasapainotettava uudelleen.



C-00081-02

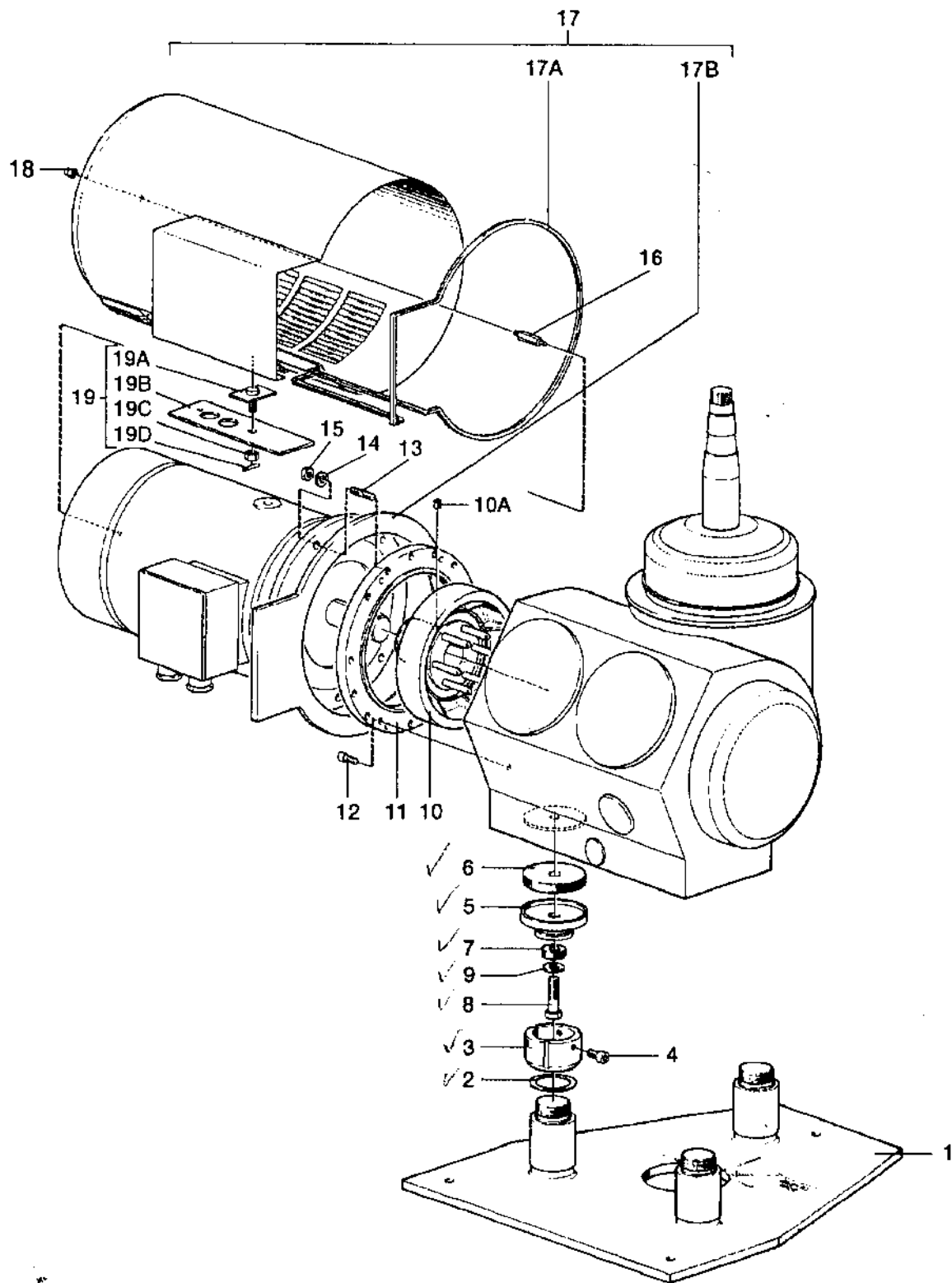
Ref.	Part No	Description	Machine unit No or Subassembly description / Qty							Notes	
			546272 -								
			- 11								
1	541598 81	Bowl body	1	-	-	-	-	-	-	-	■
2	538124 08	Nozzle 5 mm	1								
3	543343 01	Gasket	1								
4	529608 01	Sleeve with wings	1								
5	221131 03	Screw	3								
6	543422 02	Rectangular ring	1								
7	537838 06	Valve plug	3								
8	545771 01	Plug	2								
9	539834 02	Operating slide	1	-	-	-	-	-	-	-	■
10	226214 74	Spring	24								
11	541690 81	Spring support	1	-	-	-	-	-	-	-	■
12	528168 02	Screw	6								
13	523116 04	Rectangular ring	1								
14	541892 04	Sliding bowl bottom	1								
15	223416 35	O-ring	1								
16	541334 81	Distributing cone	1	-	-	-	-	-	-	-	■
17	542182 01	Cap nut	1								
18	223406 64	O-ring	1								
19	223406 58	O-ring	1								
20	545769 02	Sleeve with wings	1								
21	545781 01	Distributor	1	-	-	-	-	-	-	-	■
22	541741 81	Bottom disc	1								
24	541741 85	Bowl disc	3								
25	541741 84	Bowl disc	5								
26	541353 02	Top disc	1	-	-	-	-	-	-	-	■
27	543170 01	Seal ring	1								
28	521863 02	Rectangular ring	1								
29	74355	O-ring	1								
30	541366 02	Bowl hood	1	-	-	-	-	-	-	-	■
31	541354 02	Lock ring	1	-	-	-	-	-	-	-	■
32	529799 08	Rectangular ring	1								
33	519164 01	Lock ring	1								
34	541741 85	Bowl disc	98								
35	541741 84	Bowl disc	5								
36	541741 85	Bowl disc	98								
99	537086 02	Molybdenum disulfide past	-	-	-	-	-	-	-	-	MOLYCOTE 1000, 1 KG

■ Utbyte nödvändig för ombalansering av kulan. Exchange necessitates rebalancing of bowl. Austausch erfordert Wiederauswuchtung der Trommel. L'échange nécessite le rééquilibrage du bol. El cambio hace necesario un nuevo equilibrado del rotor. La sostituzione comporta la riequilibratura del tamburo. A substituição exige o reequilíbrio do rotor. Vaihdettaessa kuula tasapainoitettava uudelleen.



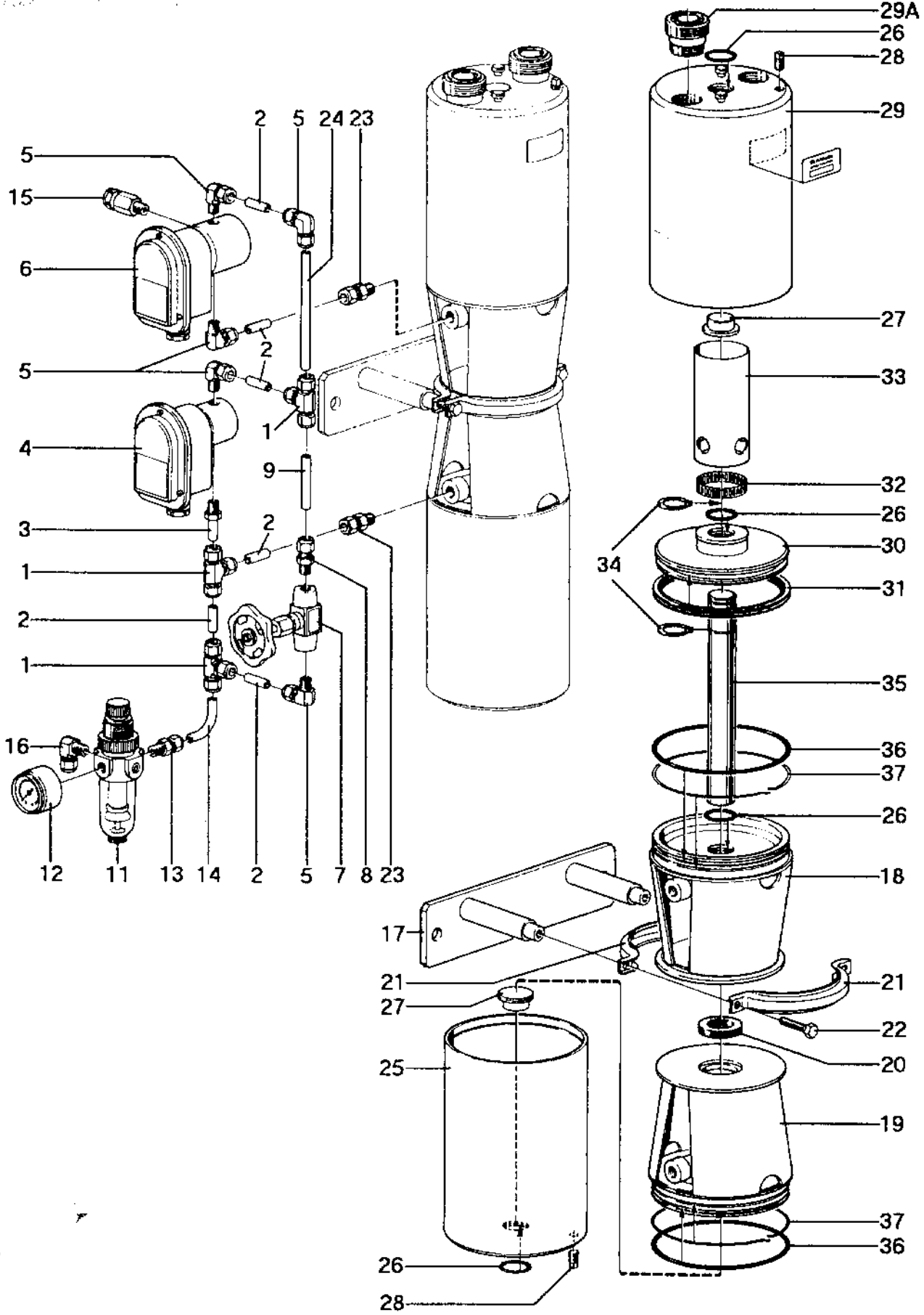
C-00237-0-2

Ref.	Part No	Description	Machine unit No or Subassembly description / Qty							Notes
			546666 -							
			- 01	- 03						
-	-	With SMS coupling	↓							
-	-	With Clamp coupling		↓						
1	546186 02	Centering ring	1	1						
2	535784 01	Height adjusting ring 4mm	1	1	-	-	-	-	-	H = 4 mm
2	535784 02	Height adjusting ring 5mm	1	1	-	-	-	-	-	H = 5 mm
2	535784 03	Height adjusting ring 6mm	1	1	-	-	-	-	-	H = 6 mm
2	535784 04	Height adjusting ring 7mm	1	1	-	-	-	-	-	H = 7 mm
2	535784 05	Height adjusting ring 8mm	1	1	-	-	-	-	-	H = 8 mm
3	546662 80	Discharge housing lower	1							
3	546662 81	Discharge housing lower		1						
4	2 210463 23	Screw	4	4						
5✓	540829 05	Gasket	1	1						
6✓	541648 05	Seal ring	1	1						
7	260104 80	O-ring	3	3						
8	260104 79	O-ring	1	1						
9	260083 48	Compression spring	1	1						
10	541650 01	Holder for wear ring	1	1						
11✓	540829 06	Gasket	1	1						
12✓	541649 06	Wear ring	1	1						
13	540527 02	Impeller bottom part	1	1						
14	540519 02	Impeller top part	1	1						
15	260083 49	Compression spring	1	1						
16	541651 01	Holder for wear ring	2	2						
17	540829 08	Gasket	2	2						
18	541649 05	Wear ring	2	2						
19	540551 01	Spacing sleeve	1	1						
20	2 234121 25	O-ring	1	1						
21	540829 07	Gasket	2	2						
22	541648 04	Seal ring	2	2						
23	546667 01	Intermediate part	1	1						
24	2 234121 21	O-ring	1	1						
25	545499 01	Compression spring	1	1						
26	540528 02	Impeller bottom part	1	1						
27	540520 02	Impeller top part	1	1						
28	540493 02	Outlet pipe	1	1						
29	223406 68	O-ring	1	1						
30	223406 49	O-ring	2	2						
31	540550 01	Guide sleeve	1	1						
32	540536 80	Discharge housing	1							
32	540536 81	Discharge housing upper		1						
33	546218 01	Screw	2	2						
34	538092 01	Hook	2	2						
35	260197 01	Union	1	1						
36	544949 01	Tube	1	1						
37	528940 03	Joint connector	1	1						



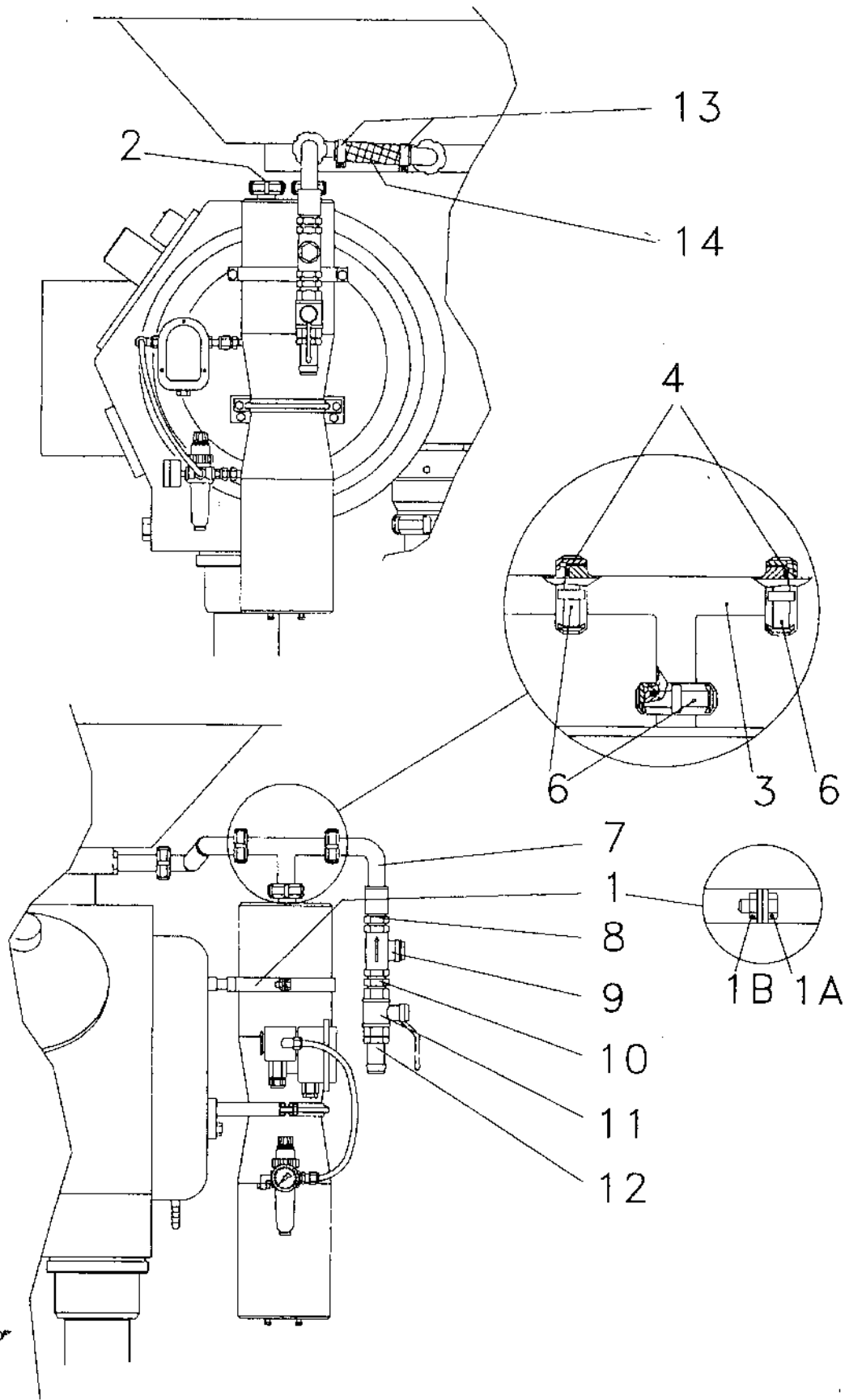
C-00566-0-4

Ref.	Part No	Description	Machine unit No or Subassembly description / Qty							Notes
			546093 -							
			- 01							
1	543688 80	Foundation plate	1							
2	785332 02	Adjusting washer	18							
3	528729 02	Holder	3							
4	221731 11	Screw	9							
5	526186 02	Frame foot	3							
6	528738 02	Rubber cushion	3							
7	65235	Rectangular ring	3							
8	260001 21	Screw	3							
9	223142 04	Washer	3							
10	544782 80	Brake pulley	1							
10A	221581 74	Screw	1							
11	544781 02	Motor adapter	1							
12	221726 09	Screw	6							
13	260176 01	Stud bolt	6							
14	70490	Washer	6							
15	221803 34	Nut	6							
16	544790 01	Spacing pin	1							
17	544057 81	Guard	1							
17A	43631	Seal strip	2							
17B	543775 81	Guide ring	1							
18	221851 11	Cap nut	1							
19	543776 81	Covering plate f prot cap	1							
19A	543778 80	Locking plate	1							
19B	543777 02	Covering plate	1							
19C	221803 40	Nut	1							
19D	68617	Slotted pin	1							



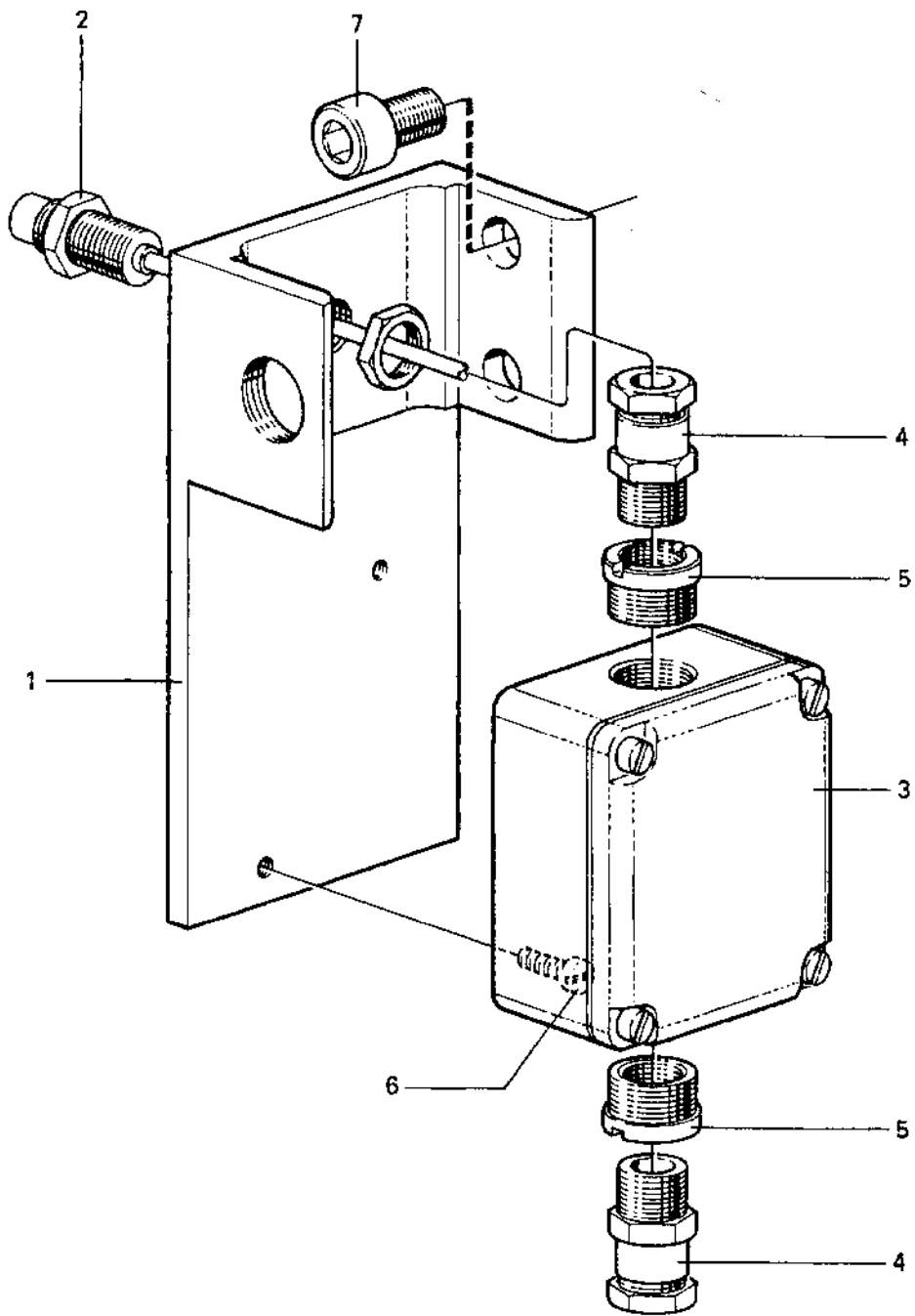
C-00017-0-7

Ref.	Part No	Description	Machine unit No or Subassembly description / Qty								Notes
			554569 -								
			- 01	- 02	- 03	- 04					
1	552894 13	Union tee	3	3	3	3					
2	552894 32	Port connector	6	6	6	6					
3	552755 13	Tube adapter	1	1	1	1					
4	554495 01	Solenoid valve 24vdc.....	1								
4	554495 02	Solenoid valve 24vac.....		1							
4	554495 03	Solenoid valve 48vac.....			1						
4	554495 04	Solenoid valve 110vac.....				1					
5	552755 73	Male elbow connector.....	4	4	4	4					
6	552652 80	Solenoid valve	1	--	--	--	--	--	--	--	24V DC
6	552652 81	Solenoid valve	--	1	--	--	--	--	--	--	24V AC, 50/60 Hz
6	552652 82	Solenoid valve	--	--	1	--	--	--	--	--	48V AC, 50/60 Hz
6	552652 83	Solenoid valve	--	--	--	1	--	--	--	--	110V AC, 50/60 Hz
7	554038 01	Needle valve	1	1	1	1					
8	552755 43	Male connector	1	1	1	1					
9	554069 02	Pipe	1	1	1	1					
10	552894 02	Union elbow	1	1	1	1					
11	770120 05	Filter regulator	1	1	1	1					
12	543054 20	Pressure gauge	1	1	1	1					
13	552755 32	Male connector	1	1	1	1					
14	554068 03	Elbow pipe	1	1	1	1					
14A	554069 02	Pipe.....	1	1	1	1					
15	553325 02	Silencer.....	1	1	1	1					
16	552755 60	Male elbow connector.....	1	1	1	1					
17	544968 82	Holder	1	1	1	1					
18	554712 01	Intermediate part	1	1	1	1					
19	554713 01	Intermediate part	1	1	1	1					
20	545098 02	Washer	1	1	1	1					
21	544611 01	Clamp half	2	2	2	2					
22	221036 06	Screw.....	2	2	2	2					
23	552755 33	Male connector	2	2	2	2					
24	554069 07	Pipe	1	1	1	1					
25	31353 0185 1	Cylinder	1	1	1	1					
26	223406 49	O-ring.....	4	4	4	4					
27	544584 01	Plug	2	2	2	2					
28	544990 01	Plug	2	2	2	2					
29	544586 81	Cylinder	1	1	1	1					
29A	544587 01	Nipple.....	2	2	2	2					
30	554065 01	Piston.....	1	1	1	1					
31	554090 02	Piston seal	1	1	1	1					
32	554094 01	Tolerance ring.....	1	1	1	1					
33	554059 01	Distance pipe.....	1	1	1	1					
34	519975 05	Snap ring	2	2	2	2					
35	544590 01	Piston rod	1	1	1	1					
36	223406 17	O-ring.....	2	2	2	2					
37	552835 02	Locking wire.....	2	2	2	2					



C-00572-0-6

Ref.	Part No	Description	Machine unit No or Subassembly description / Qty							Notes
			552984 -							
			- 04							
1	545113 80	Support	1							
1A	221036 01	Screw	2							
1B	221803 21	Nut	2							
2	190084	Blind washer	1							
3	544592 81	T-piece	1							
4	190601	Rectangular ring	4							
5	191603	Hose liner	1							
6	190613	Coupling nut	2							
7	544593 80	Elbow pipe	1							
8	543953 02	Nipple	1							
9	550675 01	Check valve	1							
10	545070 03	Reducing male part.....	1							
11	526826 06	Ball valve	1							
12	528920 07	Hose nipple.....	1							
13	42174	Hose clip.....	2							
14	544779 01	Hose	1							

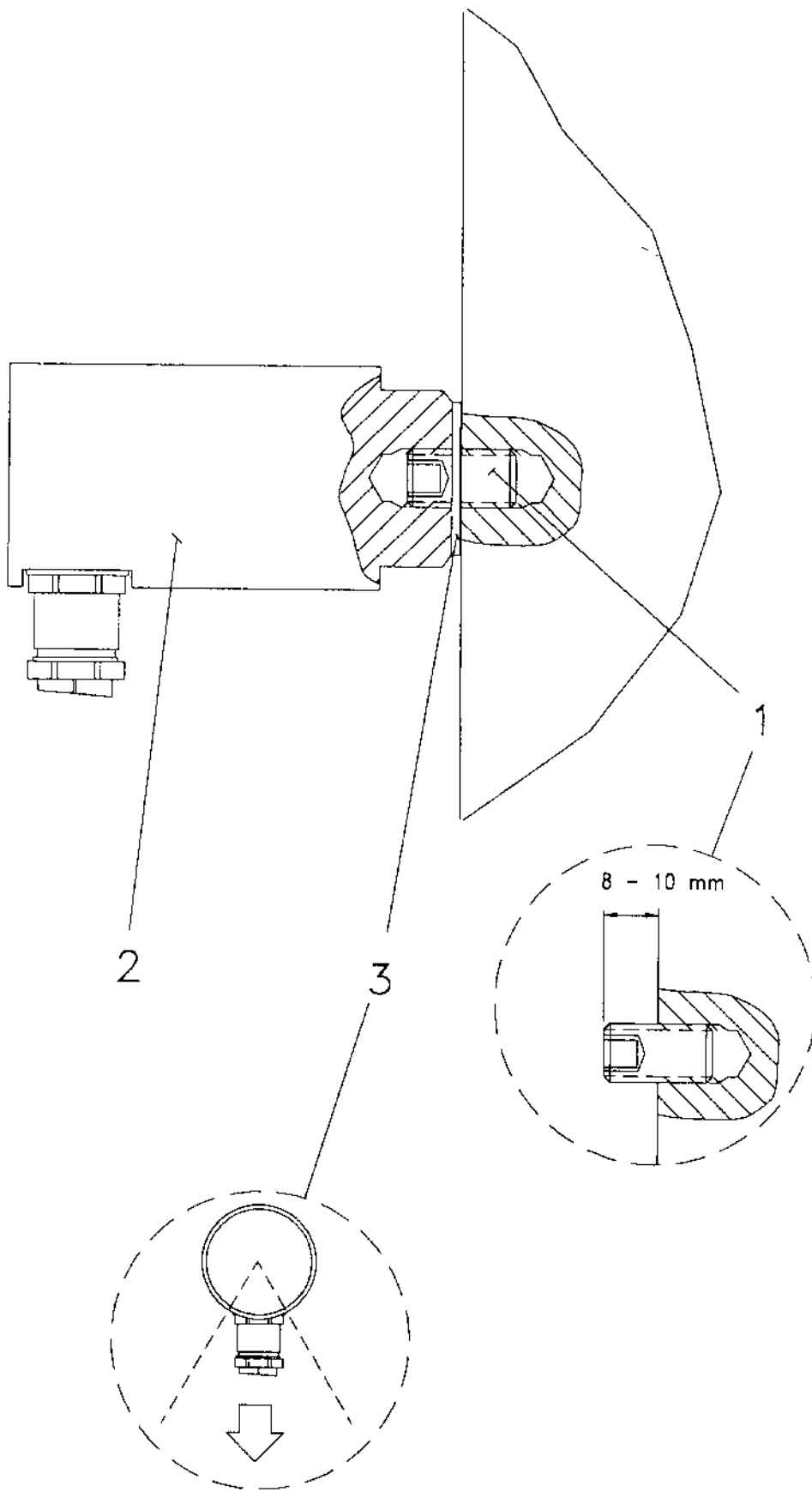


D-00724-0-2

H/W/MRPX 618HGV-74C	Speed sensor
	Subassembly description

Fig. ref C-00724-0-2
Date 93-05

Ref.	Part No	Description	Machine unit No or Subassembly description / Qty 546530 -							Notes
			- 82							
1	546531 01	Support.....	1							
2	552042 01	Inductive sensor	1							
3	542267 01	Junction box	1							
4	529910 01	Seal sleeve	2							
5	539505 03	Reducing socket	2							
6	221120 27	Screw.....	2							
7	221721 37	Screw.....	2							

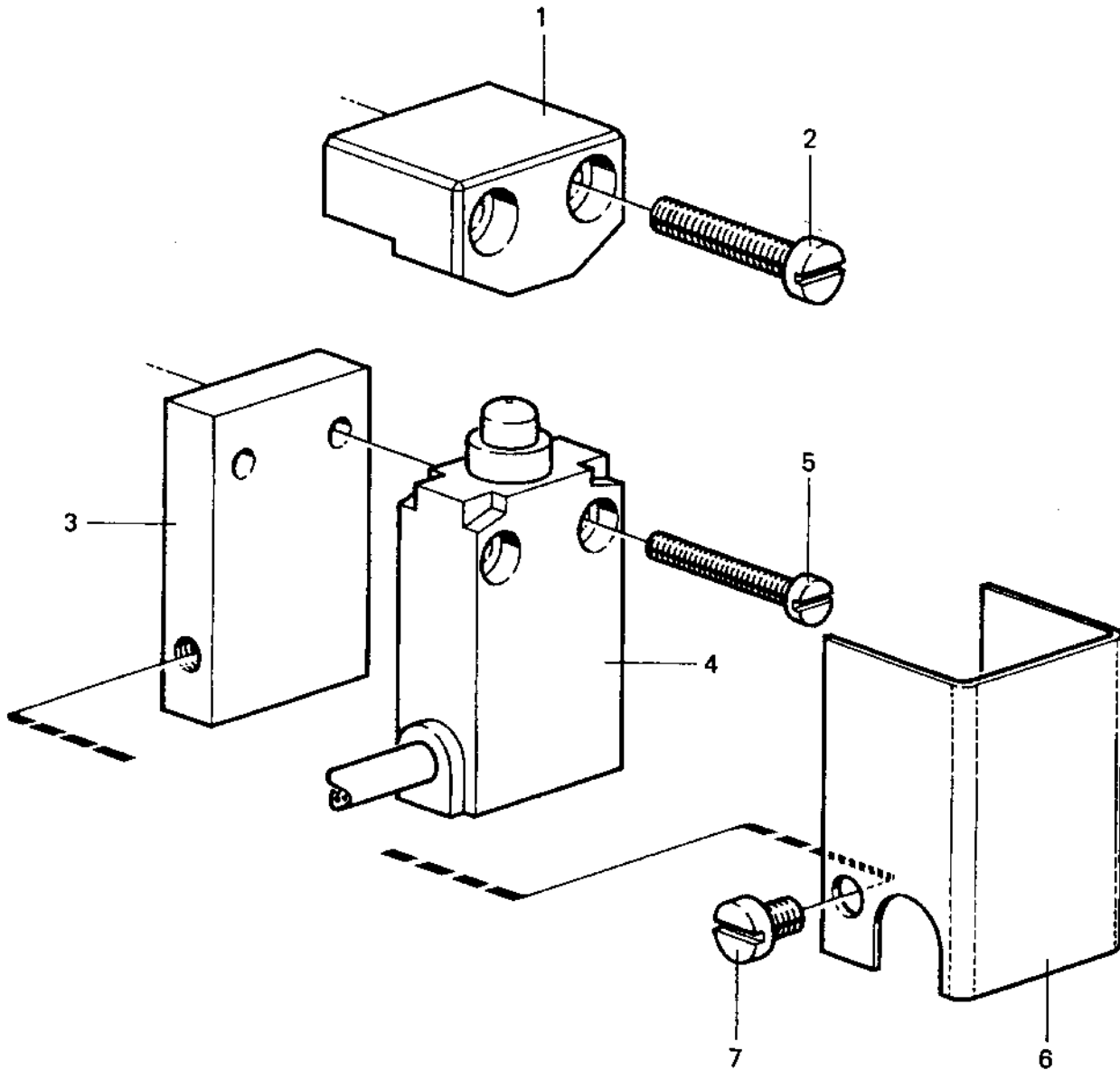


C-00916-0-3

H/W/MRPX 018HGV-74C	Vibration sensor kit
	Subassembly description

Fig. ref C-00916-0-3
Date 93-05

Ref.	Part No	Description	Machine unit No or Subassembly description / Qty 553652 -								Notes
			- 01								
1	260080 15	Screw.....	1								
2	552158 01	Vibration sensor.....	1								
3	223132 04	Washer.....	2								



Safety regulations according to the laws of the Federal Republic of Germany.

Säkerhetsbestämmelser enligt tysk lag.

Sicherheitsvorschriften laut Gesetz der Bundesrepublik Deutschland.

Prescriptions de sécurité selon la loi allemande.

Normas de seguridad de acuerdo con las leyes de la República Federal de Alemania.

Правила по технике безопасности Западной Германии.

Norme di sicurezza secondo la legge della Repubblica Federale Tedesca.

Regulamentos de segurança de acordo com as leis da República Federal da Alemanha.

Turvallisuusmääräys saksalaisen lain mukaan.

C-00751-0-1

H/W/MRPX 618HGV-74C

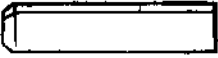

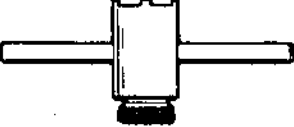

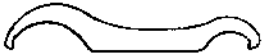
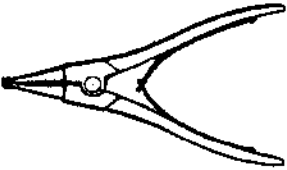
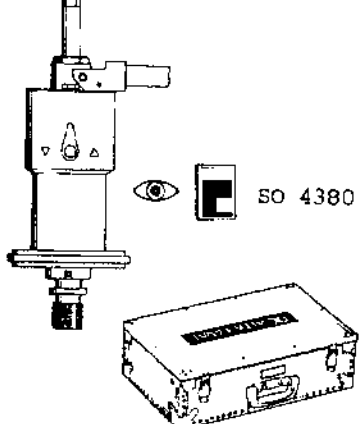





Lock switch kit

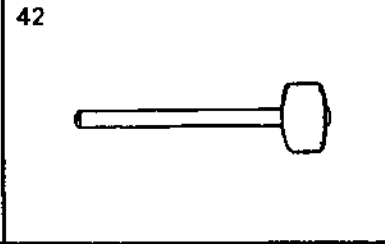
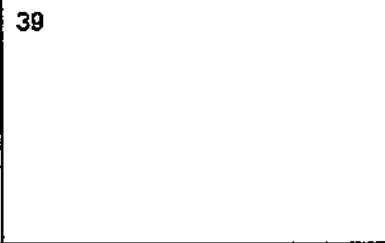
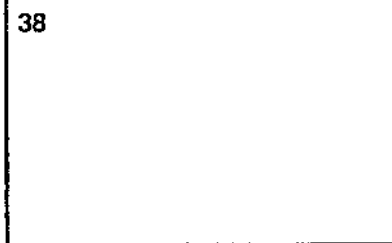
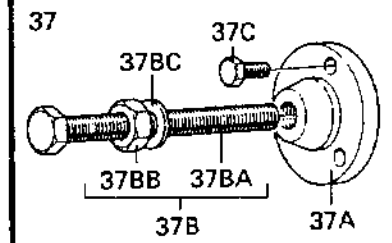
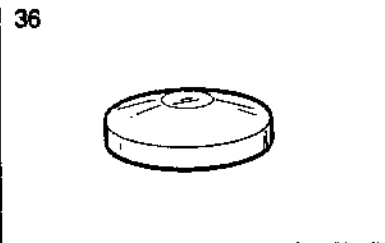
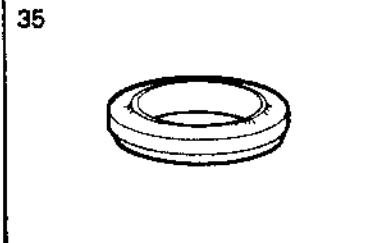
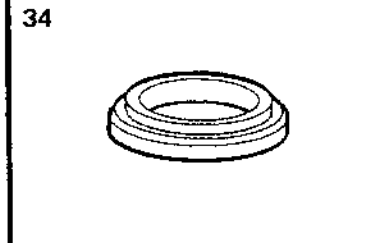
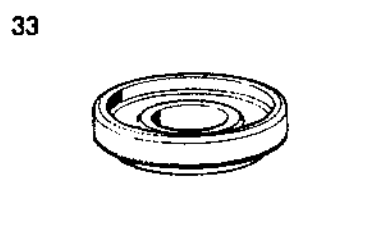
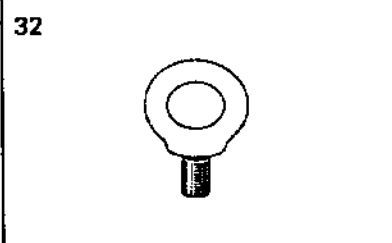
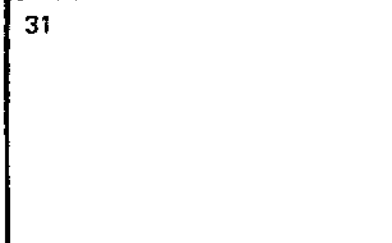
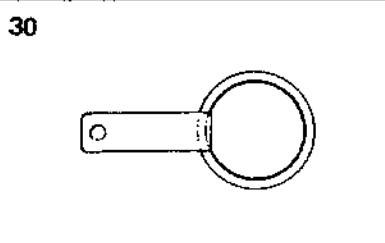
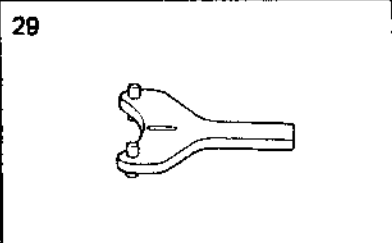
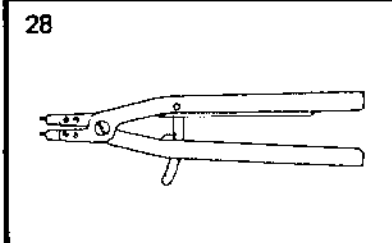
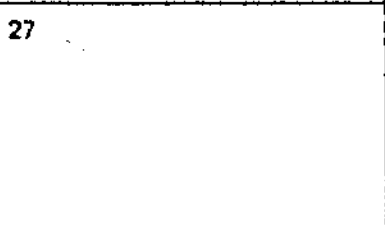
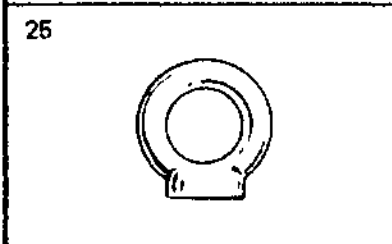
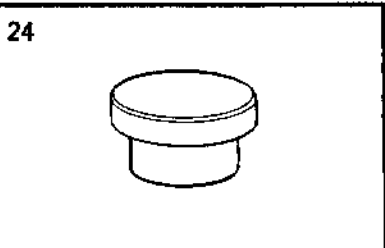
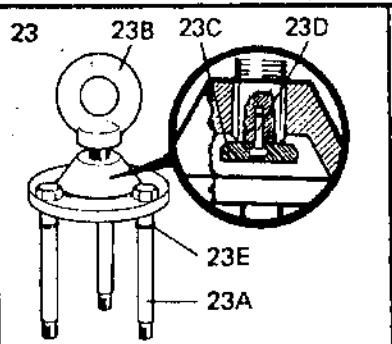
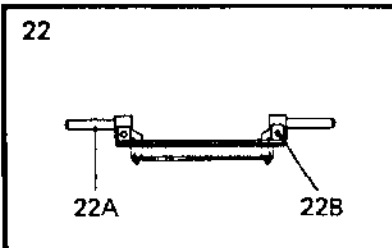
Fig. ref
C-00751-0-1

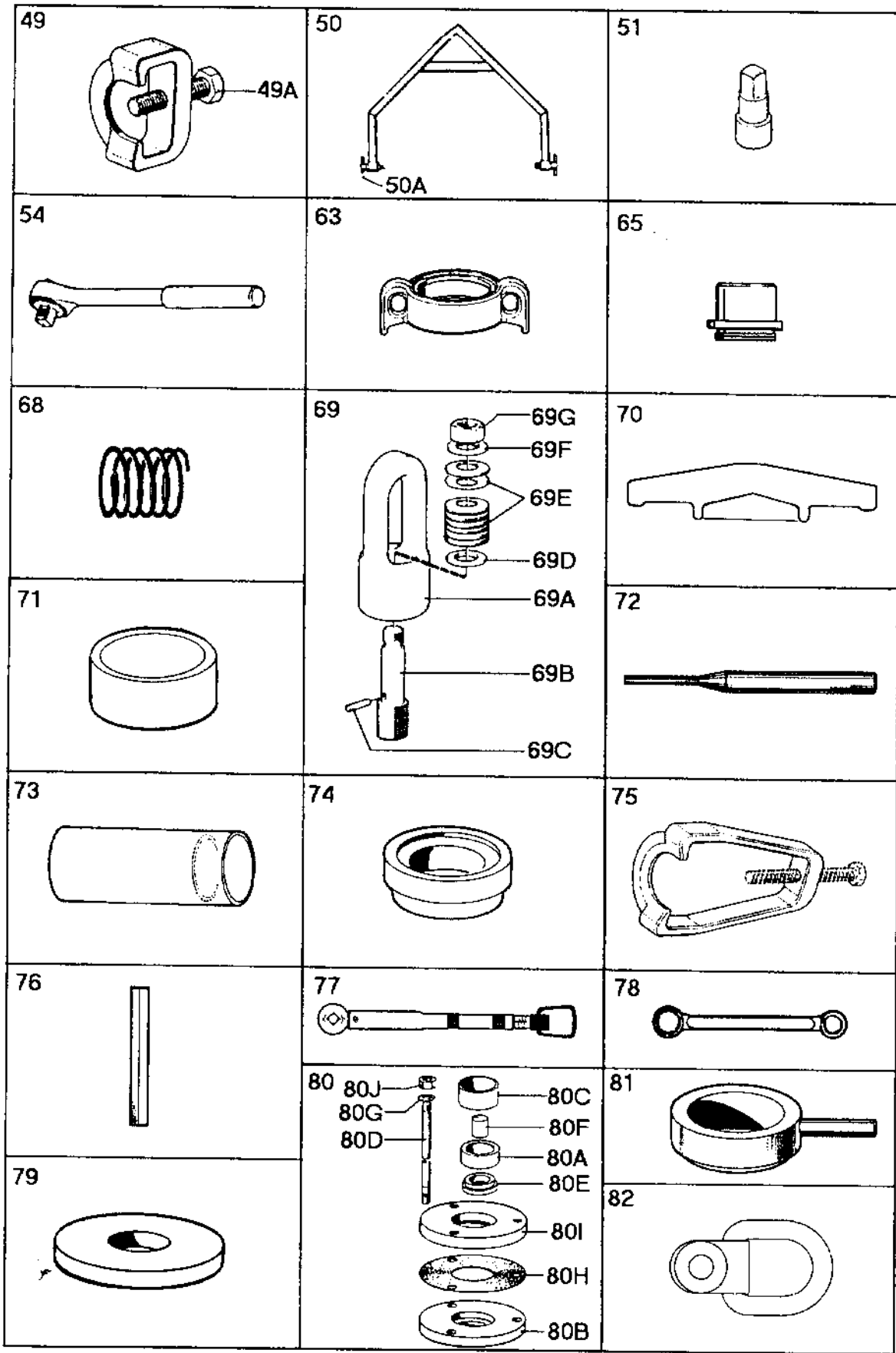
Date
93-05

Subassembly description

Ref.	Part No	Description	Machine unit No or Subassembly description / Qty 553633 -							Notes
			- 03							
1	546402 01	Lock switch actuator	1							
2	221126 56	Screw.....	2							
3	546401 01	Support.....	1							
4	551337 01	Limit switch.....	1							
5	221121 52	Screw.....	2							
6	546403 01	Guard.....	1							
7	67844	Screw.....	2							

1	2	3 
4	5 	6 
7 	8 	9
10 	11 	12
13	15 	15
16 	17	18 
19 	20	21 

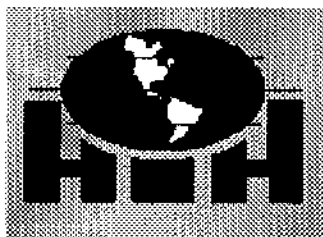




Ref.	Part No	Description	Machine unit No or Subassembly description / Qty 537687 -							Notes
			- 02							
3	531296 81	Driving-off tool	1							
5	541647 01	Dismounting drift.....	1							
6	542181 80	Lifting and mounting tool.....	1							
7	72978	Socket 11 mm (1/2")	1	--	--	--	--	--	--	11 mm
7.1	527353 09	Socket 30 mm (1/2")	1	--	--	--	--	--	--	30 mm
7.2	527353 17	Socket 16 mm (1/2")	1	--	--	--	--	--	--	16 mm
8	69696	Hook spanner	1							
10	42386	Mounting tongs	1							
11	543135 06	Compressing tool.....	1	--	--	--	--	--	--	SEE MANUAL SO 4380
15	72243	T-handle	1							
16	72244	Extension rod.....	1	--	--	--	--	--	--	L = 255 mm
16.1	527348 01	Extension rod.....	1	--	--	--	--	--	--	L = 125-150 mm
18	527353 05	Socket 18 mm (1/2")	1	--	--	--	--	--	--	18 mm
19	73085	Socket 24 mm (1/2")	1	--	--	--	--	--	--	24 mm
21	75420	Socket 13 mm (1/2")	1	--	--	--	--	--	--	13 mm
22	528380 85	Lifting tool	1							
22A	71405	Slotted pin.....	2							
22B	67782	Cylindrical pin	2							
23	543307 80	Lifting tool	1							
23A	544088 01	Screw.....	3							
23B	543309 01	Lifting eye	1							
23C	543310 01	Washer	1							
23D	221711 02	Screw.....	1							
23E	68372	Snap ring	3							
24	530313 03	Plug	1							
25	70844	Lifting tool	1	--	--	--	--	--	--	M45X3
25.1	540131 02	Lifting tool	1	--	--	--	--	--	--	M42X1,5
26	545532 01	Lifting tool f.sliding b.....	1							
28	66445	Mounting tongs	1							
29	543346 01	Spanner	1							
30	539917 80	Spanner for lock ring.....	1							
32	545935 01	Lifting eye bolt.....	2	--	--	--	--	--	--	M16
33	546855 01	Ring	1							
34	543550 01	Ring	1							
35	543551 01	Ring	1							
36	543552 01	Mounting tool	1							
37	543553 80	Dismounting tool.....	1							
37A	543554 01	Washer	1							
37B	537464 84	Mounting tool	1							
37BA	260001 42	Screw.....	1							
37BB	544275 01	Nut	1							
37BC	223101 52	Washer.....	1							
37C	221045 09	Screw.....	3	--	--	--	--	--	--	L=30mm
42	64324	Tin hammer	1							
49	545756 80	Puller	1							
49A	260001 41	Screw.....	1							
50	528350 80	Reversing tool.....	1							
50A	528352 80	Screw.....	2							
51	260164 03	Hexagon socket spanner	1	--	--	--	--	--	--	8 mm
51.1	260164 06	Hexagon socket spanner	1	--	--	--	--	--	--	14 mm
54	260161 01	Ratchet handle	1							
63	545530 02	Lifting ring for bowl h.....	1							
65	540610 01	Centering tool	1							
68	38954	Spring	1							

H/W/MRPX 818HGV-740	Set of tools	Fig. ref C-00521-0-1 + +
	Subassembly description	Date 93-05

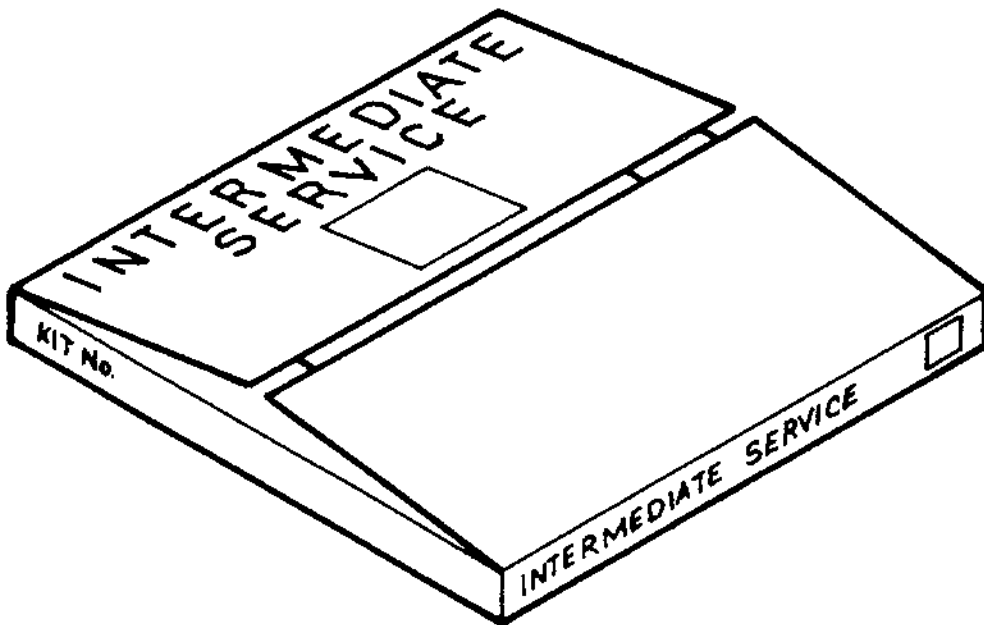
Ref.	Part No	Description	Machine unit No or Subassembly description / Qty							Notes
			537887 -							
			- 02							
89	545537	80 Lifting tool f.distribut.....	1							
89A	545531	02 Lifting stirrup.....	1							
89B	545536	01 Lifting pin.....	1							
89C	222116	41 Slotted pin.....	1							
89D	223101	64 Washer.....	1							
89E	226314	27 Belleville washer.....	14							
89F	223101	64 Washer.....	1							
89G	221803	23 Nut.....	1							
70	544264	01 Pressure washer.....	1							
71	544273	01 Sleeve.....	1							
72	544372	01 Drift.....	1							
73	544288	01 Tube.....	1							
74	544261	01 Ring.....	1							
75	544302	02 Puller.....	1							
76	521196	16 Socket spanner.....	1	--	--	--	--	--	--	36 mm
77	544371	01 Torque wrench.....	1							
78	528905	08 Ring spanner.....	1							
79	537441	01 Washer.....	1							
80	545540	80 Mount and dismount tool.....	1							
80A	545547	01 Ring.....	1							
80B	545541	01 Plate lower.....	1							
80C	545546	01 Sleeve.....	1							
80D	545544	01 Bar.....	3							
80E	545545	01 Support ring.....	1							
80F	545548	01 Intermediate part.....	1							
80G	68372	Snap ring.....	3							
80H	545543	01 Washer.....	1							
80I	545542	01 Plate upper.....	1							
80J	221803	35 Nut.....	3	--	--	--	--	--	--	M20
81	545529	80 Pin spanner.....	1							
82	553188	02 Lifting eye.....	3							
83	2 210463	34 Screw.....	3							



Hutchison-Hayes Separators, Inc.

This is a Spacer Page

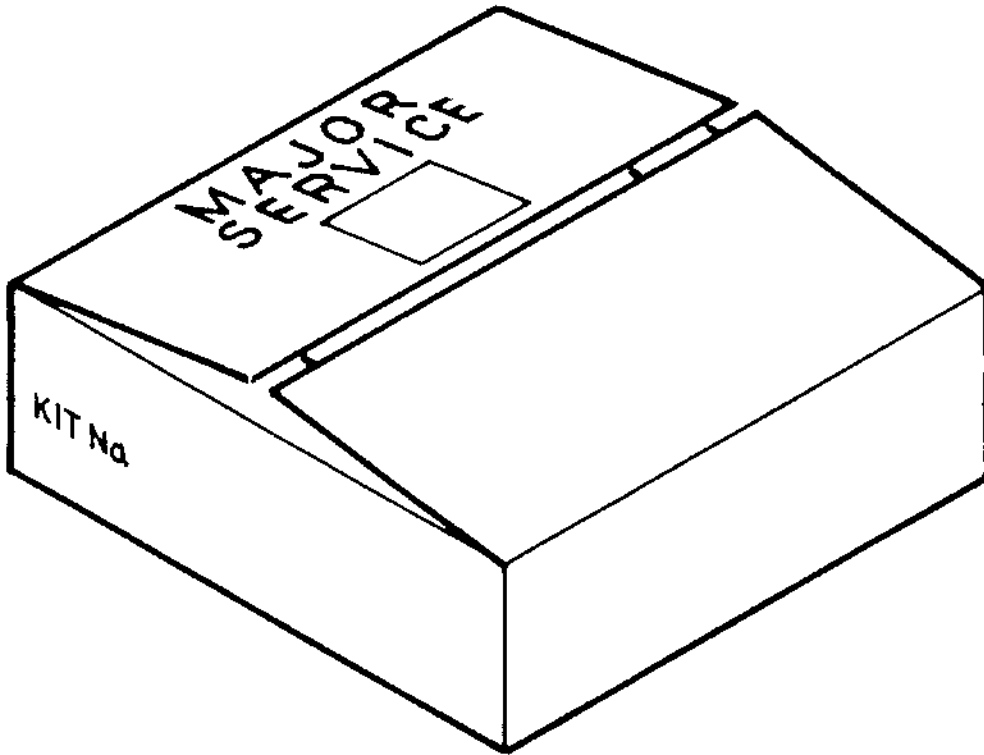
P.O. Box 2965 ♦ Houston, Texas 77252
3520 East Belt ♦ Houston, Texas 77015
(713) 455-9600 ♦ Fax (713) 455-7753



C-00780-0-1

	Subassembly description
--	-------------------------

Ref.	Part No	Description	Machine unit No or Subassembly description / Qty 549253 -							Notes
			- 03	- 04						
1	543343 01	Gasket	1	1						
2	543422 02	Rectangular ring	1	1						
3	537838 06	Valve plug	3	3						
4	523116 04	Rectangular ring	1	1						
5	223416 35	O-ring	1	1						
6	223406 64	O-ring	1	1						
7	223406 58	O-ring	1	1						
8	521863 02	Rectangular ring	1	1						
9	543170 01	Seal ring	1	1						
10	74355	O-ring	1	1						
11	529799 08	Rectangular ring	1	1						
12	540829 05	Gasket	1	1						
13	541648 05	Seal ring	1	1						
14	260104 80	O-ring	3	3						
15	260104 79	O-ring	1	1						
16	540829 06	Gasket	1	1						
19	541649 06	Wear ring	1	1						
20	540829 08	Gasket	2	2						
21	541649 05	Wear ring	2	2						
22	2 234121 25	O-ring	1	1						
23	540829 07	Gasket	2	2						
24	541648 04	Seal ring	2	2						
25	2 234121 21	O-ring	1	1						
26	223406 68	O-ring	1	1						
27	223406 49	O-ring	2	2						
28	223406 15	O-ring	1	1						
29	223406 14	O-ring	1	1						
30	540829 05	Gasket	1	1						
31	541648 05	Seal ring	1	1						
32	541649 06	Wear ring	1	1						
33	540829 06	Gasket	1	1						
34	260104 79	O-ring	1	1						
35	223406 58	O-ring	1	1						
36	190605	Rectangular ring	1							
36	538248 03	Gasket		1						
37	74634	O-ring	3	3						
38	223316 05	Rectangular ring	1	1						
39	528732 01	Gasket	1	1						
40	539474 03	Silicone grease	1	1	-	-	-	-	-	25 G
41	537086 05	Lubricating paste	1	1						



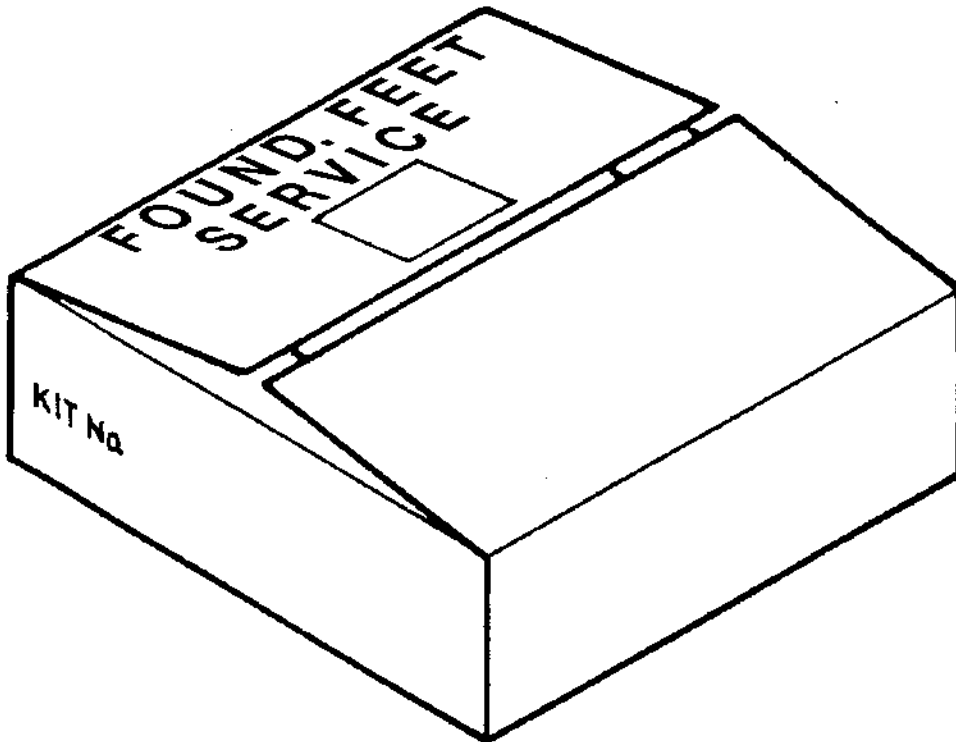
C-00781-0-1

H/W/MRPX 818HQV-74C

Major service kit
Subassembly description

Fig. ref
C-00781-0-1
Date
93-05

Ref.	Part No	Description	Machine unit No. or Subassembly description / Qty 549223 -							Notes
			- 13							
1	37167	Rectangular ring	1							
2	528723 01	Gasket	1							
3	73665	Rectangular ring	2							
4	43626	Gasket	1							
5	43630	Seal strip	1							
6	545063 03	Tolerance ring	1							
7	239211 94	Ball bearing	1							
8	8379	Ball bearing	1							
9	60571	Elastic plate	3							
10	223406 17	O-ring	1							
11	548747 07	Ball bearing	1							
12	223642 49	Snap ring	1							
13	548745 04	Ball bearing	1							
14	223641 01	Snap ring	1							
16	529639 02	Rubber buffer	2							
17	541453 05	Usit-ring	3							
18	516714 05	Rectangular ring	1							
19	544271 01	Seal ring	1							
20	223412 18	O-ring	1							
21	548746 04	Ball bearing	1							
22	223406 36	O-ring	1							
23	310637 84	Friction pad	1							
23A	8341	Screw	3							
28	539244 02	Height adjusting ring	2							
29	545318 01	Seal strip	1							
30	223406 25	O-ring	1							



C-00781-03

H/WMRPX 618HGV-74C	Service kit f. found feet
	Subassembly description

Fig. ref C-00781-0-3
Date 93-05

Ref.	Part No	Description	Machine unit No. or Subassembly description / Qty 553048 -								Notes
			- 01								
1	221731 11	Screw.....	9								
2	528738 02	Rubber cushion	3								
3	65235	Rectangular ring	3								
4	260001 21	Screw.....	3								

Part No	Page	Ref.	Part No	Page	Ref.	Part No	Page	Ref.			
544592	81	080-1	3	546610	01	010-1.5	5	2 234121	25	150-1	22
544593	80	080-1	7	546635	01	010-1.5	2	31317 0334	1	020-1	16
544611	01	070-1	21	546636	01	010-1.5	1	31317 0884	1	020-1	17
544779	01	080-1	14	546637	01	010-1.5	4	31317 0886	1	020-1	12
544781	02	060-1	11	546637	02	010-1.5	4.1	31317 0886	1	020-1	15
544782	80	060-1	10	546655	01	010-1.5	18	31353 0185	1	070-1	25
544783	80	010-1.1	11	546657	81	010-1	29				
544786	01	010-1.1	1	546657	82	010-1	29				
544788	80	010-1.4	1	546662	80	040-1	3				
544789	01	010-1.1	6	546662	81	040-1	3				
544790	01	060-1	16	546667	01	040-1	23				
544949	01	040-1	36	546800	85	010-1	3				
544950	01	010-1.1	7	546800	86	010-1	3				
544950	02	010-1.1	7	546855	01	130-1A	33				
544968	82	070-1	17	548412	01	010-1.5	22				
544990	01	070-1	28	548745	04	010-1.2	9				
545063	03	010-1	16 A	548745	04	160-1	13				
545063	03	160-1	6	548746	04	010-1.2	31				
545070	03	080-1	10	548746	04	160-1	21				
545098	02	070-1	20	548747	07	010-1.2	5				
545113	80	080-1	1	548747	07	160-1	11				
545318	01	020-1	8	550675	01	080-1	9				
545318	01	160-1	29	551337	01	120-1	4				
545461	01	010-1.5	21	552042	01	100-1	2				
545499	01	040-1	25	552158	01	110-1	2				
545499	02	010-1.5	12	552652	80	070-1	6				
545529	80	130-1B	81	552652	81	070-1	6				
545530	02	130-1A	63	552652	82	070-1	6				
545531	02	130-1B	69 A	552652	83	070-1	6				
545532	01	130-1A	26	552755	13	070-1	3				
545536	01	130-1B	69 B	552755	32	070-1	13				
545537	80	130-1B	69	552755	33	070-1	23				
545540	80	130-1B	80	552755	43	070-1	8				
545541	01	130-1B	80 B	552755	60	070-1	16				
545542	01	130-1B	80	552755	73	070-1	5				
545543	01	130-1B	80 H	552835	02	070-1	37				
545544	01	130-1B	80 D	552894	02	070-1	10				
545545	01	130-1B	80 E	552894	13	070-1	1				
545546	01	130-1B	80 C	552894	32	070-1	2				
545547	01	130-1B	80 A	553188	02	130-1B	82				
545548	01	130-1B	80 F	553325	02	070-1	15				
545633	01	020-1	7	554038	01	070-1	7				
545756	80	130-1A	49	554059	01	070-1	33				
545769	02	030-1	20	554065	01	070-1	30				
545769	02	030-2	20	554068	03	070-1	14				
545771	01	030-1	8	554069	02	070-1	9				
545771	01	030-2	8	554069	02	070-1	14 A				
545778	82	020-1	1	554069	07	070-1	24				
545781	01	030-1	21	554090	02	070-1	31				
545781	01	030-2	21	554094	01	070-1	32				
545935	01	130-1A	32	554495	01	070-1	4				
546186	02	040-1	1	554495	02	070-1	4				
546218	01	040-1	33	554495	03	070-1	4				
546401	01	120-1	3	554495	04	070-1	4				
546402	01	120-1	1	554712	01	070-1	18				
546403	01	120-1	6	554713	01	070-1	19				
546423	80	010-1	2	555231	01	010-1.2	23				
546423	81	010-1	2	770120	05	070-1	11				
546424	80	010-1.1	3	785332	02	060-1	2				
546439	01	010-1.2	4	2 210463	23	020-1	11				
546450	01	010-1.5	15	2 210463	23	040-1	4				
546531	01	100-1	1	2 210463	34	130-1B	83				
546540	80	020-1	10	2 234121	21	040-1	24				
546601	01	010-1.2	32	2 234121	21	150-1	25				
546607	01	010-1.2	1	2 234121	25	040-1	20				

Part No	Page	Ref.	Part No	Page	Ref.	Part No	Page	Ref.	
8341	180-1	23 A	221045	35	010-1.2	223416	35	030-2	15
8379	010-1.1	10	221046	04	020-1	223416	35	150-1	5
8379	180-1	8	221046	16	010-1.2	223434	02	010-1.3	4
37167	010-1	7	221120	27	100-1	223521	08	010-1.3	3
37167	180-1	1	221121	52	120-1	223610	32	010-1.1	12
38885	010-1	8	221126	56	120-1	223641	01	010-1.2	11
38954	130-1A	68	221131	03	030-1	223641	01	160-1	14
42174	080-1	13	221131	03	030-2	223642	49	010-1.2	7
42386	130-1A	10	221131	07	010-1.2	223642	49	160-1	12
43626	010-1	17	221131	08	010-1	226214	74	030-1	10
43626	160-1	4	221581	74	060-1	226214	74	030-2	10
43630	010-1	21	221711	02	130-1A	226214	83	010-1.4	2 D
43630	160-1	5	221721	12	010-1.2	226314	27	130-1B	69 E
43631	060-1	17 A	221721	37	100-1	233211	94	010-1.1	4
60571	010-1.1	16	221726	09	060-1	233211	94	160-1	7
60571	160-1	9	221731	08	020-1	260001	21	060-1	8
64324	130-1A	42	221731	11	060-1	260001	21	170-1	4
65235	060-1	7	221731	11	170-1	260001	39	010-1.1	13
65235	170-1	3	221803	21	080-1	260001	41	130-1A	49 A
66445	130-1A	28	221803	23	130-1B	260001	42	130-1A	37 BA
67473	010-1.3	7	221803	34	060-1	250080	15	110-1	1
67478	010-1.1	5	221803	35	130-1B	250080	36	020-1	3
67542	010-1.3	8	221803	40	010-1	250083	41	010-1.2	14
67782	130-1A	22 B	221803	40	060-1	250083	48	040-1	9
67844	120-1	7	221851	11	060-1	250083	49	040-1	15
67960	010-1.4	2 E	221891	17	020-1	260104	79	010-1.5	13
68372	130-1A	23 E	222116	41	130-1B	260104	79	040-1	8
68372	130-1B	80 G	223101	37	010-1	260104	79	150-1	15
68617	060-1	19 D	223101	52	130-1A	260104	79	150-1	34
69214	010-1.3	9	223101	61	010-1	260104	80	040-1	7
69226	010-1.3	24	223101	64	130-1B	260104	80	150-1	14
69696	130-1A	8	223101	64	130-1B	260161	01	130-1A	54
70490	060-1	14	223107	28	010-1.1	260164	03	130-1A	51
70714	010-1.2	17	223132	04	110-1	260164	06	130-1A	51.1
70844	130-1A	25	223142	04	060-1	260176	01	060-1	13
71405	130-1A	22 A	223316	05	010-1	260197	01	040-1	35
72243	130-1A	15	223316	05	150-1	260250	05	010-1	12 C
72244	130-1A	16	223406	14	010-1.5	310637	84	010-1.4	2 AA
72978	130-1A	7	223406	14	150-1	310637	84	160-1	23
73085	130-1A	19	223406	15	010-1.5	516714	05	160-1	18
73665	010-1	13	223406	15	150-1	519164	01	030-1	33
73665	160-1	3	223406	17	010-1.2	519164	01	030-2	33
74355	030-1	29	223406	17	070-1	519975	05	070-1	34
74355	030-2	29	223406	17	160-1	521196	16	130-1B	76
74355	150-1	10	223406	25	020-1	521863	02	030-1	28
74634	020-1.1	4	223406	25	160-1	521863	02	030-2	28
74634	150-1	37	223406	27	010-1.4	521863	02	150-1	8
75420	130-1A	21	223406	36	010-1.2	523116	04	030-1	13
190084	080-1	2	223406	36	160-1	523116	04	030-2	13
190601	020-1	23	223406	49	040-1	523116	04	150-1	4
190601	080-1	4	223406	49	070-1	523215	02	010-1	6
190605	010-1.5	19	223406	49	150-1	526186	02	060-1	5
190605	150-1	36	223406	58	010-1.5	526189	01	010-1	4
190613	020-1	25	223406	58	030-1	526693	04	010-1.3	6
190613	080-1	6	223406	58	030-2	526694	03	010-1.3	2
191033	010-1.5	20	223406	58	150-1	526826	06	080-1	11
191603	020-1	24	223406	58	150-1	527348	01	130-1A	16.1
191603	080-1	5	223406	64	030-1	527353	05	130-1A	18
221036 01	080-1	1 A	223406	64	030-2	527353	09	130-1A	7.1
221036 06	070-1	22	223406	64	150-1	527353	17	130-1A	7.2
221041 01	010-1	19	223406	68	040-1	528094	83	020-1.1	2
221041 20	010-1	22	223406	68	150-1	528168	02	030-1	12
221041 20	010-1	25	223412	18	010-1.2	528168	02	030-2	12
221041 20	010-1	28	223412	18	160-1	528249	85	020-1	5
221045 09	130-1A	37 C	223416	35	030-1	528350	80	130-1A	50

Part No	Page	Ref.	Part No	Page	Ref.	Part No	Page	Ref.			
528352	80	130-1A	50 A	540493	02	040-1	28	541741	85	030-2	34
528380	85	130-1A	22	540519	02	040-1	14	541741	85	030-2	36
528709	01	010-1	20	540520	02	040-1	27	541901	80	010-1	1
528723	01	010-1	9	540527	02	040-1	13	541985	01	010-1.1	2
528723	01	160-1	2	540528	02	040-1	26	541988	01	010-1.1	9
528729	02	060-1	3	540536	80	040-1	32	541991	01	010-1.1	15
528732	01	010-1	24	540536	81	040-1	32	542026	02	010-1.2	18
528732	01	010-1	27	540550	01	040-1	31	542027	02	010-1.2	19
528732	01	150-1	39	540551	01	040-1	19	542181	80	130-1A	6
528738	02	060-1	6	540610	01	130-1A	65	542182	01	030-1	17
528738	02	170-1	2	540829	05	010-1.5	7	542182	01	030-2	17
528743	01	010-1.3	5	540829	05	040-1	5	542267	01	100-1	3
528753	85	010-1	23	540829	05	150-1	12	542450	02	010-1.2	10
528905	08	130-1B	78	540829	05	150-1	30	542451	02	010-1.2	6
528920	07	080-1	12	540829	05	010-1.5	10	542452	02	010-1.2	15
528940	03	040-1	37	540829	06	040-1	11	542991	03	020-1	13
529608	01	030-1	4	540829	06	150-1	16	543054	20	070-1	12
529608	01	030-2	4	540829	06	150-1	33	543135	06	130-1A	11
529639	02	010-1.2	16	540829	07	040-1	21	543170	01	030-1	27
529639	02	160-1	16	540829	07	150-1	23	543170	01	030-2	27
529799	08	030-1	32	540829	08	040-1	17	543170	01	150-1	9
529799	08	030-2	32	540829	08	150-1	20	543179	01	010-1.2	24
529799	08	150-1	11	541334	81	030-1	16	543188	01	010-1.2	28
529910	01	100-1	4	541334	81	030-2	16	543307	80	130-1A	23
530313	03	130-1A	24	541353	02	030-1	26	543309	01	130-1A	23 B
531296	81	130-1A	3	541353	02	030-2	26	543310	01	130-1A	23 C
533415	01	010-1.2	8	541354	02	030-1	31	543318	01	010-1.2	13
534126	83	010-1	12	541354	02	030-2	31	543343	01	030-1	3
534127	01	010-1	12 A	541366	02	030-1	30	543343	01	030-2	3
534128	01	010-1	12 B	541366	02	030-2	30	543343	01	150-1	1
535201	83	010-1.4	2	541453	05	010-1.2	21	543346	01	130-1A	29
535202	01	010-1.4	2 B	541453	05	160-1	17	543422	02	030-1	6
535206	01	010-1.4	2 C	541598	81	030-1	1	543422	02	030-2	6
535207	01	010-1.4	4	541598	81	030-2	1	543422	02	150-1	2
535336	81	010-1	26	541647	01	130-1A	5	543494	80	010-1	16
535784	01	040-1	2	541648	04	040-1	22	543550	01	130-1A	34
535784	02	040-1	2	541648	04	150-1	24	543551	01	130-1A	35
535784	03	040-1	2	541648	05	010-1.5	8	543552	01	130-1A	36
535784	04	040-1	2	541648	05	040-1	6	543553	80	130-1A	37
535784	05	040-1	2	541648	05	150-1	13	543554	01	130-1A	37 A
537086	02	030-1	99	541648	05	150-1	31	543688	80	060-1	1
537086	02	030-2	99	541649	05	040-1	18	543775	81	060-1	17 B
537086	05	150-1	41	541649	05	150-1	21	543776	81	060-1	19
537441	01	130-1B	79	541649	06	010-1.5	9	543777	02	060-1	19 B
537464	84	130-1A	37 B	541649	06	040-1	12	543778	80	060-1	19 A
537602	86	010-1.4	2 A	541649	06	150-1	19	543953	02	080-1	8
537838	06	030-1	7	541649	06	150-1	32	544057	81	060-1	17
537838	06	030-2	7	541650	01	010-1.5	11	544088	01	130-1A	23 A
537838	06	150-1	3	541650	01	040-1	10	544165	02	010-1.3	1
538092	01	040-1	34	541651	01	040-1	16	544261	01	130-1B	74
538124	08	030-1	2	541661	01	010-1.2	30	544264	01	130-1B	70
538124	08	030-2	2	541661	02	010-1.2	30	544271	01	010-1.2	25
538129	01	010-1.2	12	541690	81	030-1	11	544271	01	160-1	19
538247	04	010-1.5	23	541690	81	030-2	11	544272	01	010-1.2	26
538248	03	010-1.5	24	541692	04	030-1	14	544273	01	130-1B	71
538248	03	150-1	36	541692	04	030-2	14	544275	01	130-1A	37 BB
539242	87	020-1.1	1	541709	80	010-1.5	25	544288	01	130-1B	73
539244	02	020-1	4	541741	81	030-1	22	544302	02	130-1B	75
539244	02	160-1	28	541741	81	030-2	22	544326	01	020-1.1	5
539474	03	150-1	40	541741	84	030-1	25	544371	01	130-1B	77
539505	03	100-1	5	541741	84	030-2	25	544372	01	130-1B	72
539834	02	030-1	9	541741	84	030-2	35	544584	01	070-1	27
539834	02	030-2	9	541741	85	030-1	23	544586	81	070-1	29
539917	80	130-1A	30	541741	85	030-1	24	544587	01	070-1	29 A
540131	02	130-1A	25.1	541741	85	030-2	24	544590	01	070-1	35