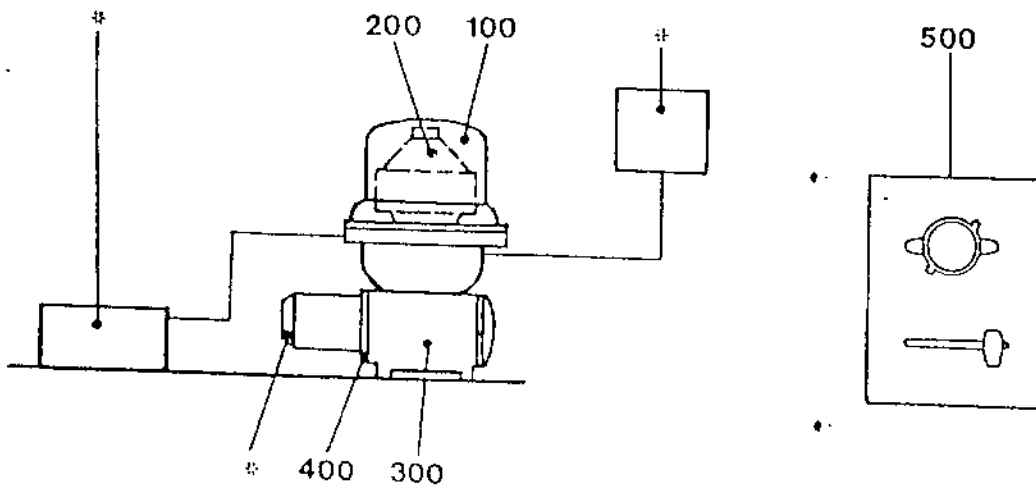


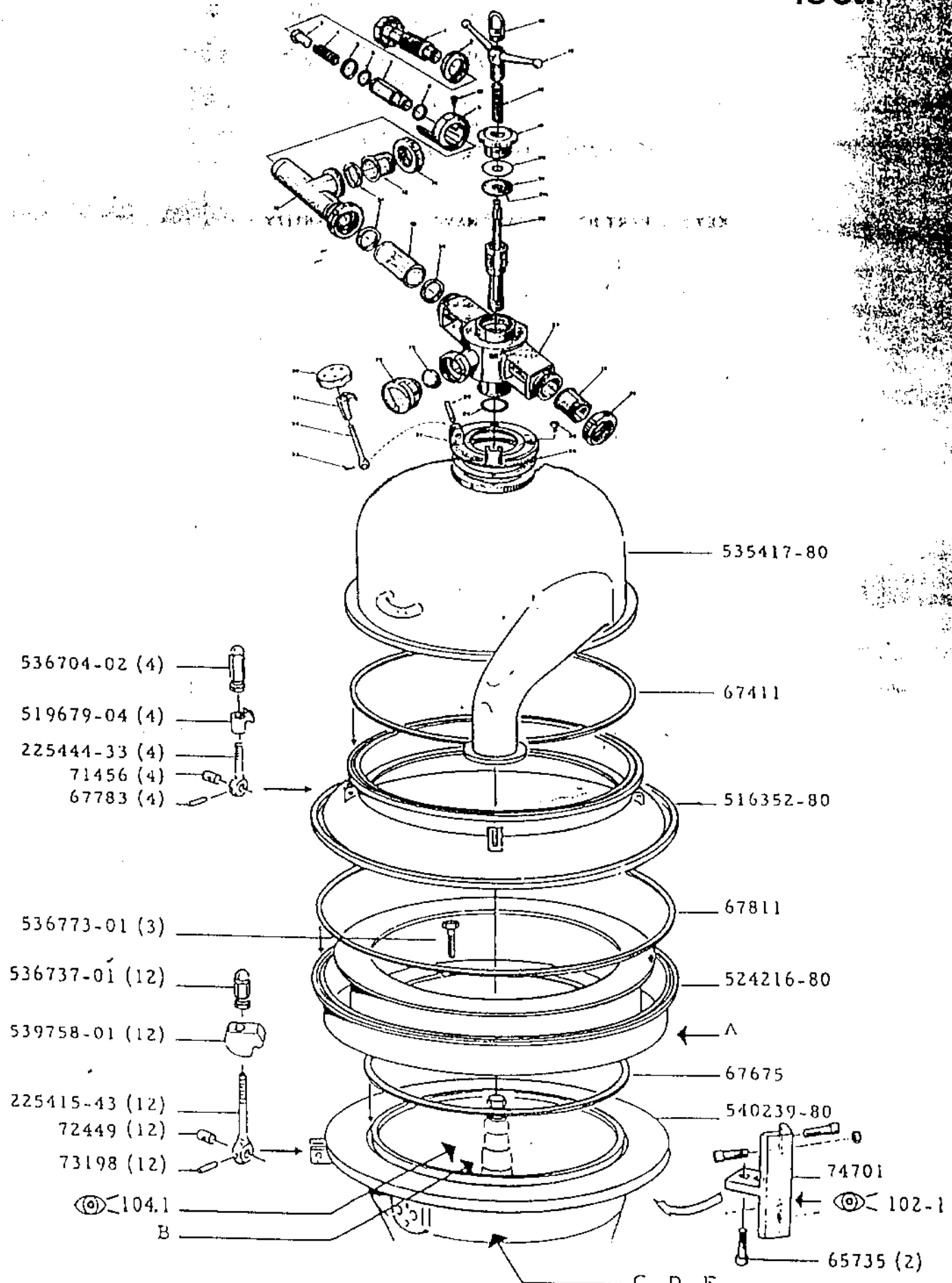
Hutchison-Hayes Separators, Inc.

Model BRPX 413XGD-74C Parts List With Diagrams

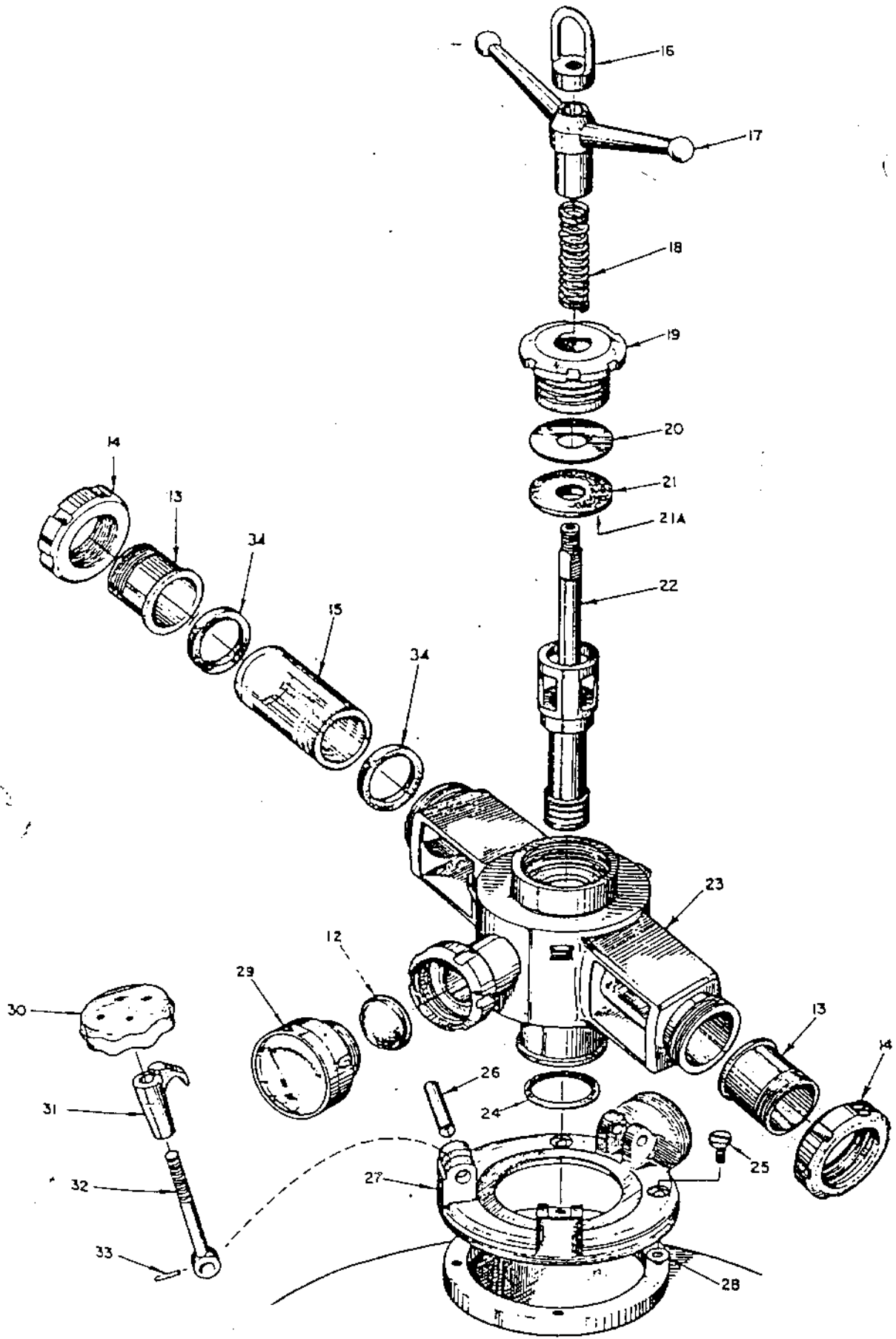
P.O. Box 2965 ♦ Houston, Texas 77252
3520 East Belt ♦ Houston, Texas 77015
(713) 455-9600 ♦ Fax (713) 455-7753

Type				
BRPX 413 XGD-14C	BRPX 413 XGD-74C	CMPX 413 XGD-14C	CMPX 413 XGD-74C	
Product No.				
881051-01-01	881051-02-01	881051-03-01	881051-04-01	
Machine Unit No.				
100	542123-01 542123-02	542123-01 542123-02	542124-01	542124-01
200	542125-02 542125-04	542125-01	542125-02	542125-03
300	540234-08 540234-09	540234-08 540234-09	540234-08 540234-09	540234-08 540234-09
400	540259-01	540259-01	540259-01	540259-01
500	540279-08	540279-08	540279-08	540279-08





INLET AND OUTLET DEVICE

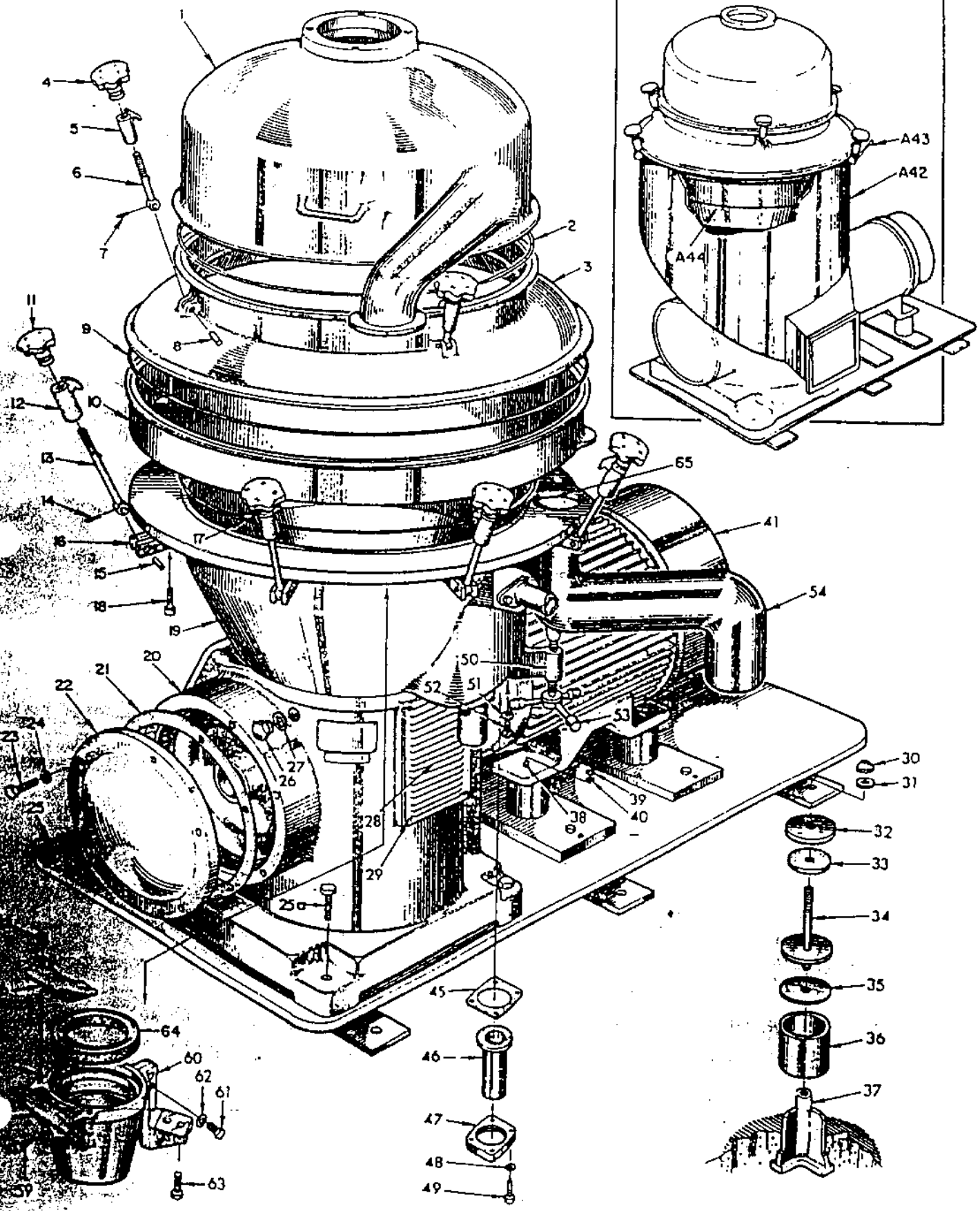


1.001

PARTS LIST - PLATE 2

KEY NO.	PART NO.	PART NAME	QUANTITY
1	39468	Adjusting Screw	1
2	39425	Lock Nut	1
3	39371	Thrust Plug	1
4	39462	Valve Spring	1
5	39373	Inner Nut	1
6	39461	Rubber Ring	1
7	39379	Regulating Valve	1
8	39370	Seal Ring	1
9	39405	Stop Ring	1
10	32056	Set Screw	1
11	39384	Valve Body	1
12	8700064-01	Rubber Membrane	1
13	39484	Adapter Ferrule	2
14	39382	Coupling Nut	3
15	39235	Sight Glass	2
16	39194	Lifting Eye	1
17	39205	Handwheel	1
18	39459	Spring	1
19	39460	Cap Nut	1
20	39458	Seal Washer	1
21	8700059-80	Seal (Comp.)	1
21A	39456	Spring (Not Illustrated)	1
22	8700785-01	Feed Tube	1
23	39391	Inlet and Outlet Connect. Housing	1
24	8700070-01	Rubber Ring	1
25	39094	Screw	4
26	39124	Hinge Pin	3
27	39474	Guide Ring	1
28	39475	Height Adjusting Ring (as req'd.)	1
29	39239	Pressure Gage	1
30	39173	Handwheel	3
31	39188	Clamping Lug	3
32	39123	Clamping Stud	3
33	39420	Cross Pin	3
34	39365	Sight Glass Gasket	5
	39888	Hose - Complete (Not Shown)	2

MAIN ASSEMBLY



MAIN ASSEMBLY

PARTS LIST

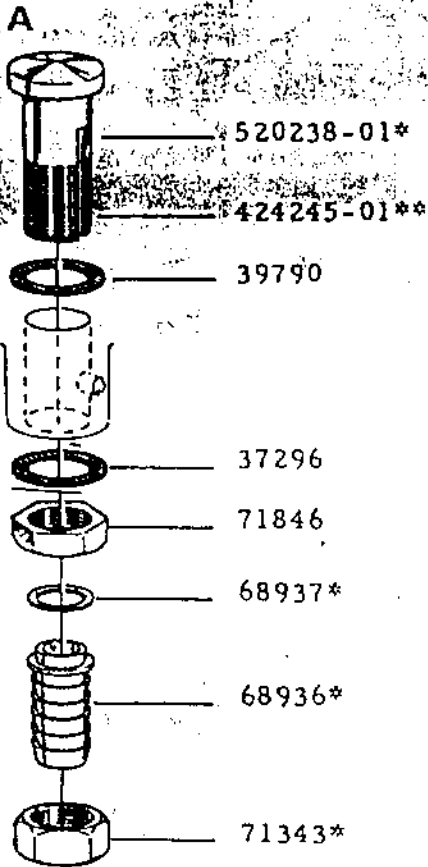
KEY NO.	PART NO.	PART NAME	QUANTITY
	99139177	Frame Cover	1
1	8701608-80	Frame Cover (special flange)	1
2	99137311	Rubber Ring (HYCAR)	1
3	99139160	Top Shell	1
4	99139173	Handwheel	4
5	99139188	Cover Clamp	4
6	99139123	Cover Clamp Stud	4
7	99139420	Groove Pin	4
8	99139434	Hinge Pin	4
9	99139268	Rubber Ring	1
*10		Bottom Cover	
11	99137428	Handwheel	8
12	99138459	Cover Clamp Lug	8
*13	99139121	Cover Clamp Stud	
14	99139118	Cross Pin	8
15	99139119	Hinge Pin	8
16	99139216	Clamp Lug	8
17	99139267	Rubber Ring	
18	99139097	Screw	
*19	99139215	Frame Top	
20	99139043	Frame Bottom	1
21	99137216	Gasket	1
22	99139222	Worm Wheel Housing Cap	1
23	99139100	Screw	6
24	99138514	Washer	6
25	99139200	Base	1
25A	8000023-01	Screw	4
26	99139364	Screw Plug	1
27	99139147	Gasket	1
28	99139297	Louver	1
29	99139084	Screw	6
30	99139349	Cap Nut	6
31	99139111	Upper Base Cushion	6
32	99139116	Lower Base Cushion Cap	6
33	99139112	Lower Base Cushion	6
34	99139453	Anchor Stud	6
35	99139115	Height Adj. Washer	(as req'd.)
36	99139136	Spacer Sleeve	6
37	99139226	Anchor Foot	6
38	99138837	Motor Stud	4
39	99132309	Nut	4

* Not used with deep sludge cover

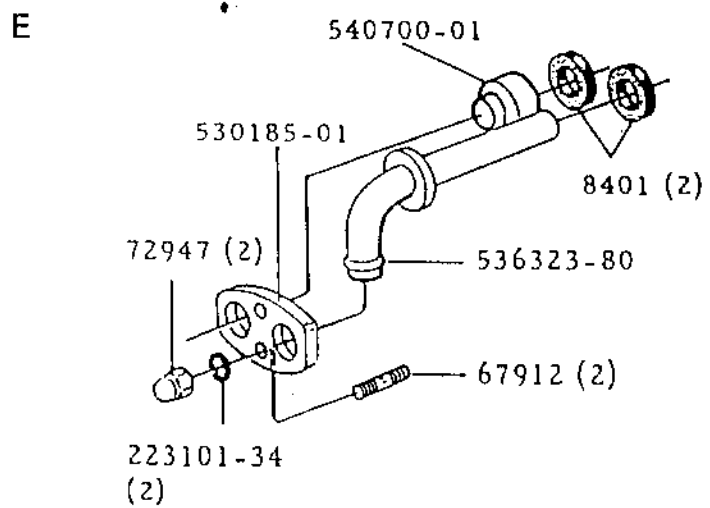
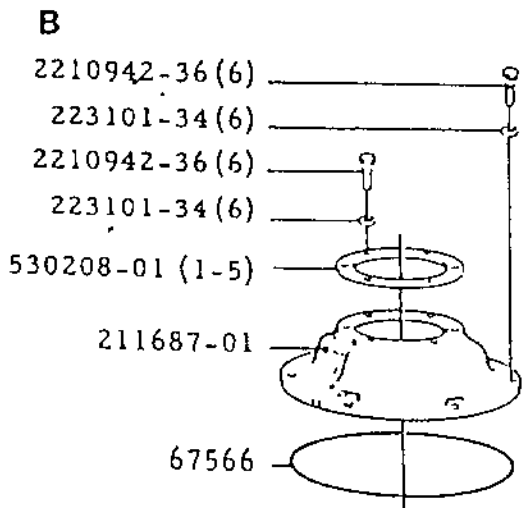
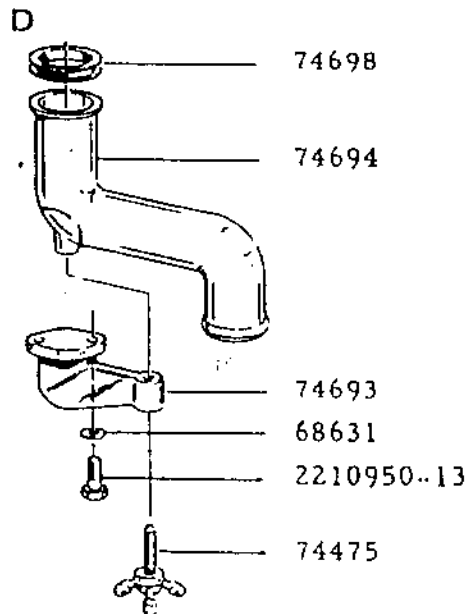
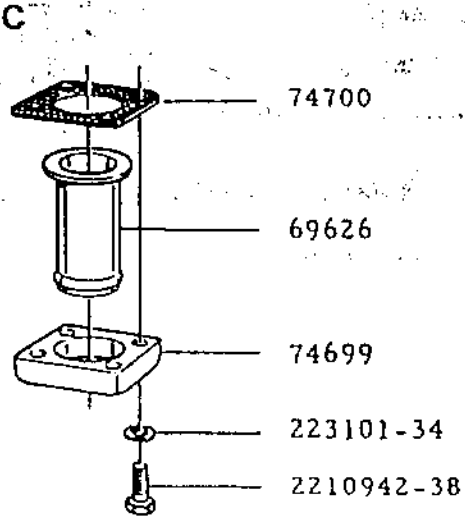
Description
510
 Frame parts

Machine Unit No
 542123-01/02

Page
101.1
 Date
 81-04



	Machine Unit No
*	542123-01
**	542123-02



Description

Machine Unit No

Page

101.2

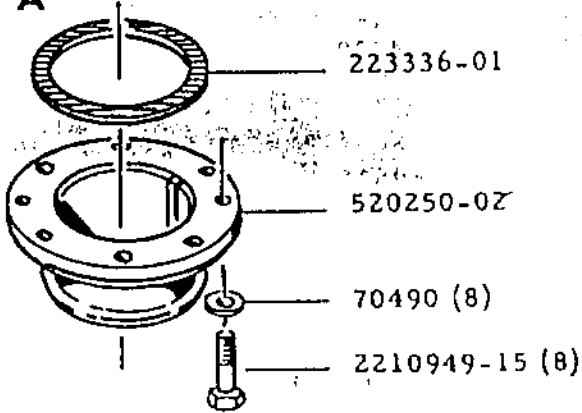
Frame parts

542124-01

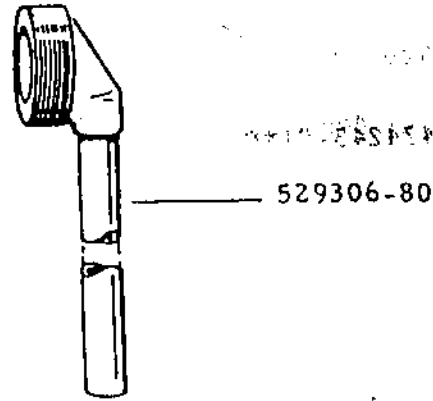
Date

81-04

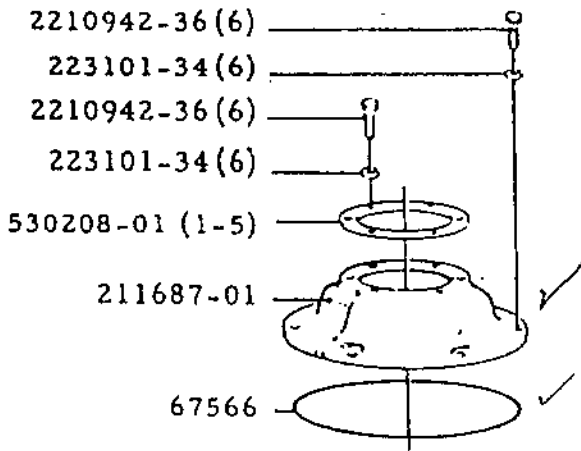
A



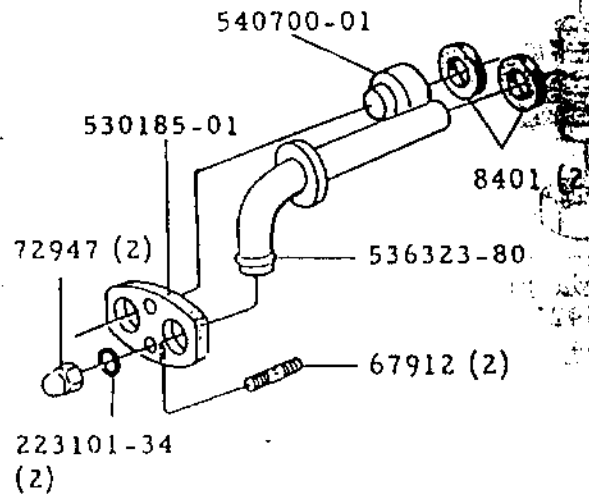
D



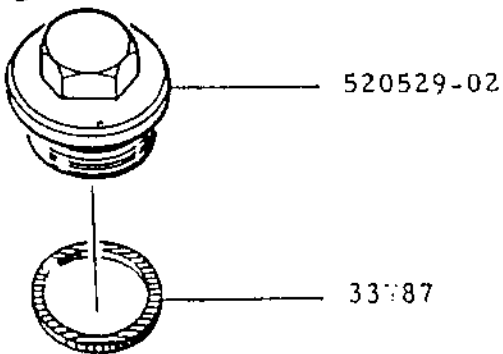
B



E



C



Description

Sight glass box

Machine Unit No

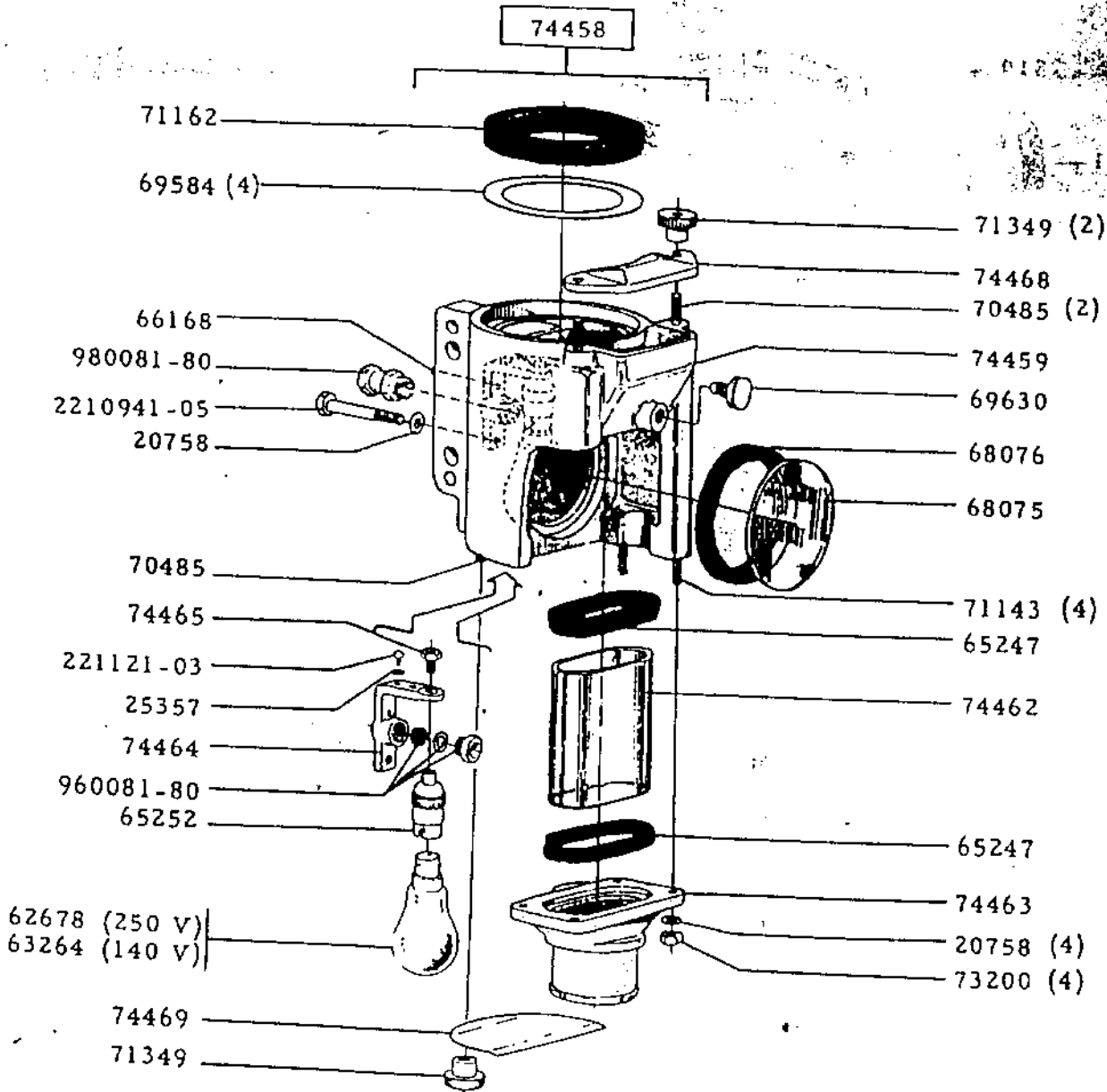
542123-01/02

Page

1021

Date

81-04

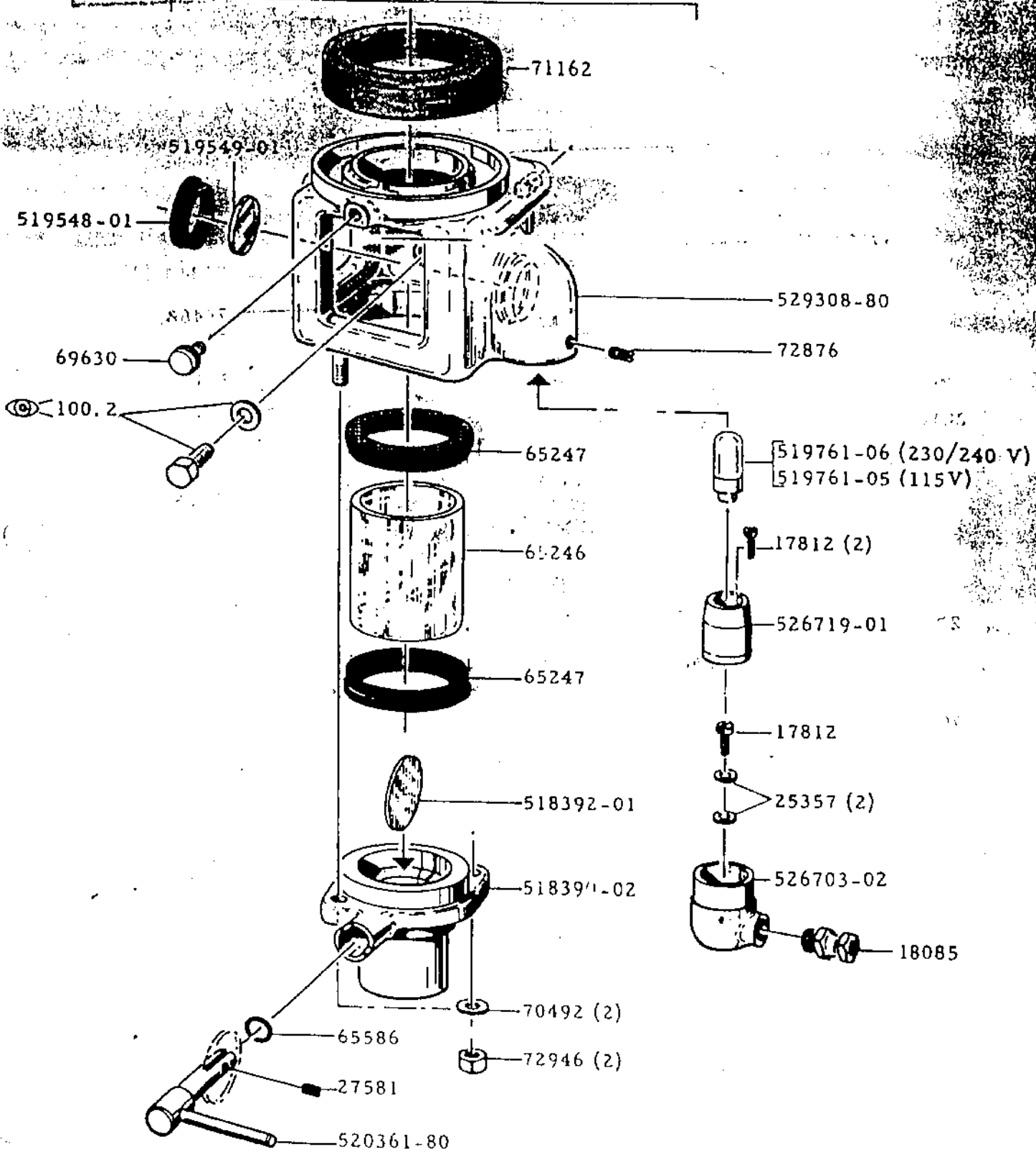


Description
Inspection

Machine Unit No
542124-01

Page
102-2
Date
81-04

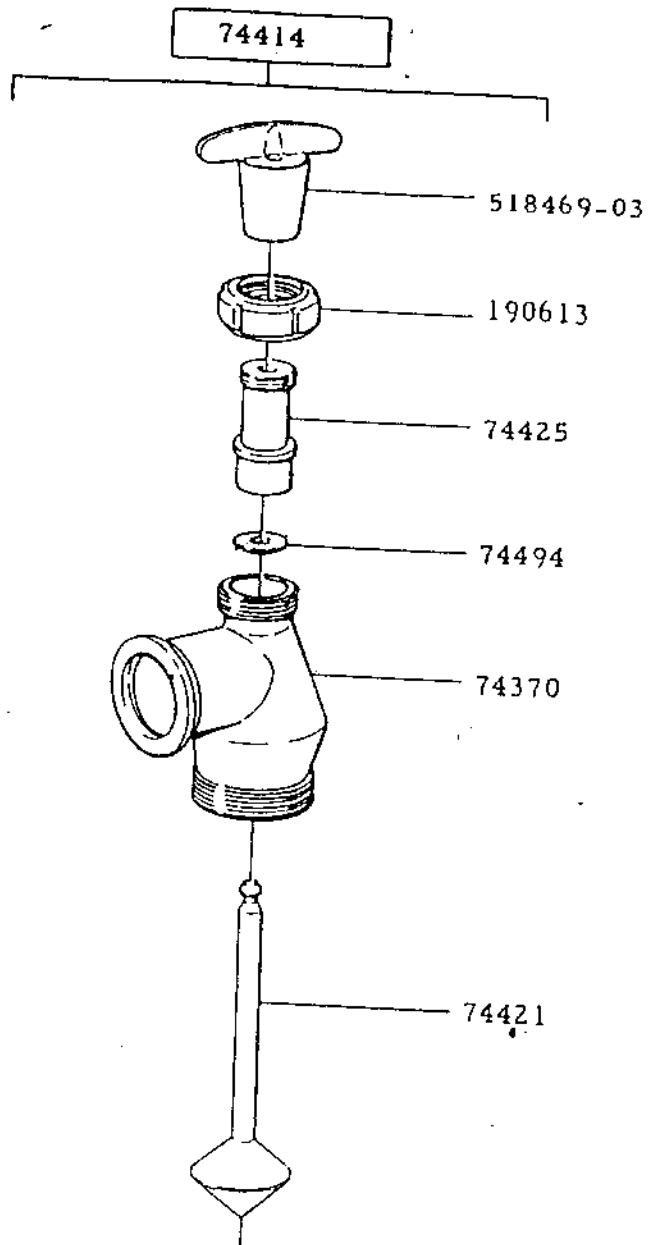
526770-81

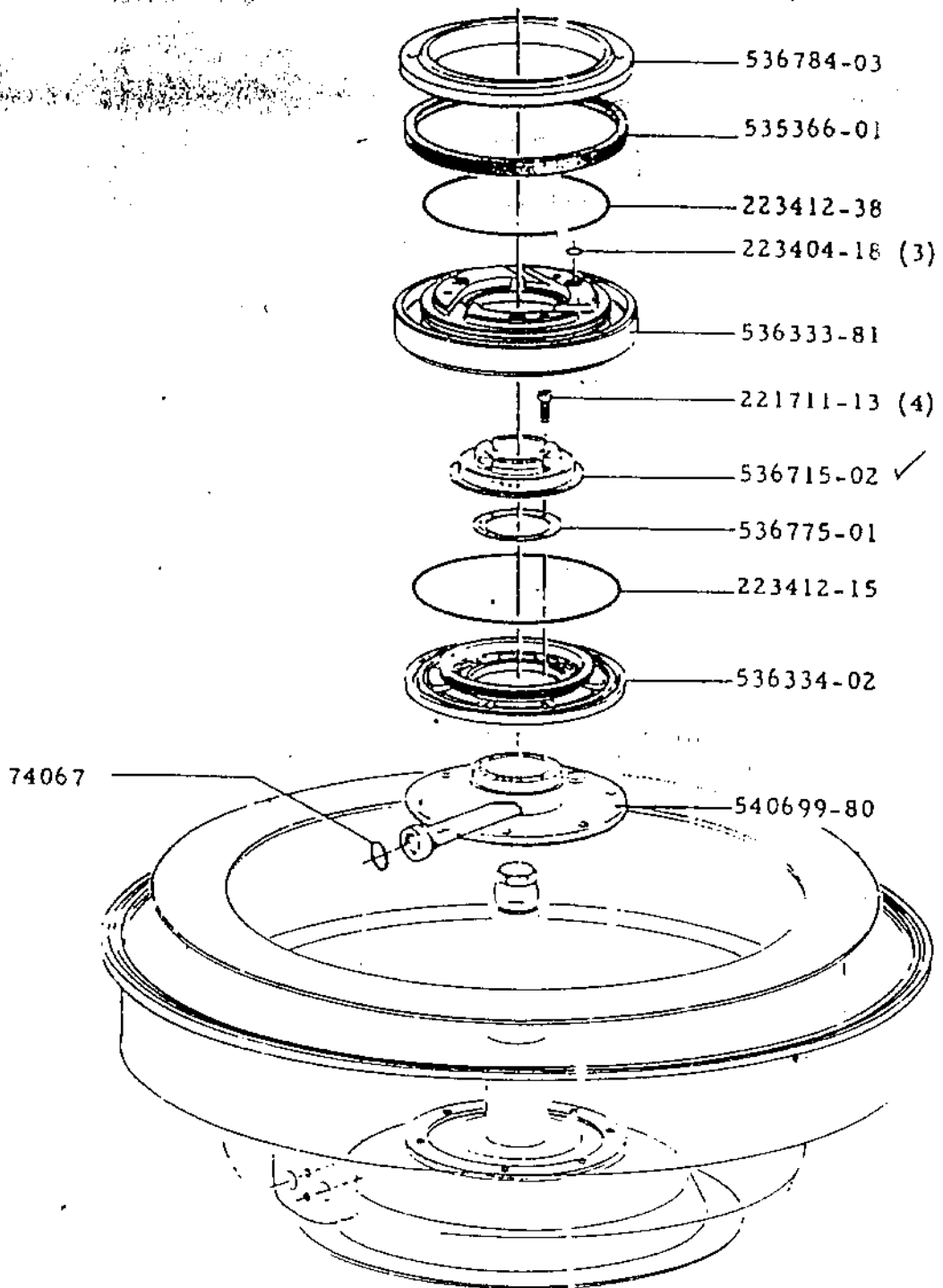


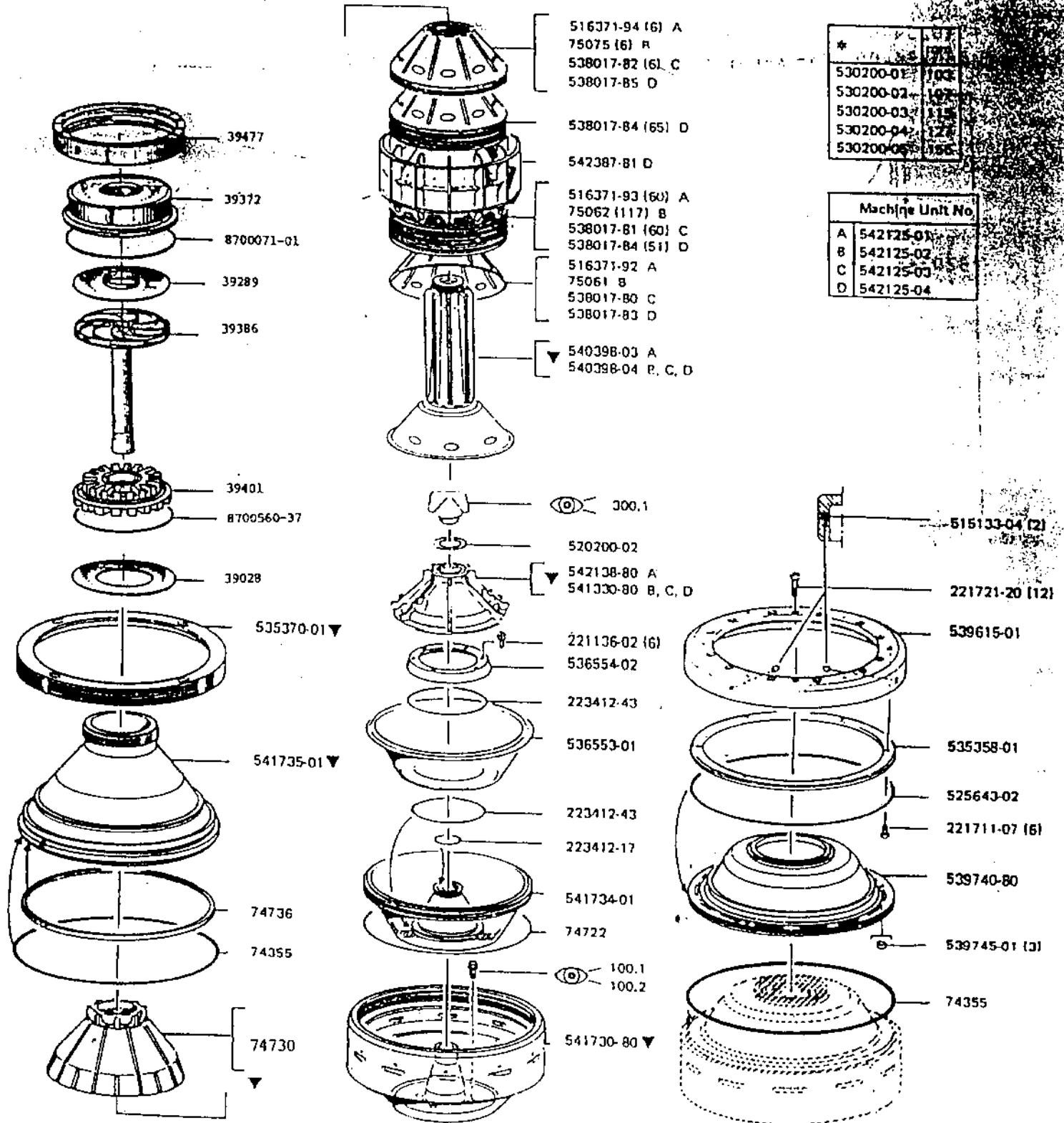
Description
Regulating valve

Machine Unit No.
542123-01/02

Page 1 of 1
1031
Date
81-04







*	530200-01	103
	530200-02	107
	530200-03	115
	530200-04	124
	530200-05	155

Machine Unit No	
A	542125-01
B	542125-02
C	542125-03
D	542125-04

✓ WEAR LINE
8701369-01

Description

Machine bottom part

Machine Unit No

540234-08/09

Page

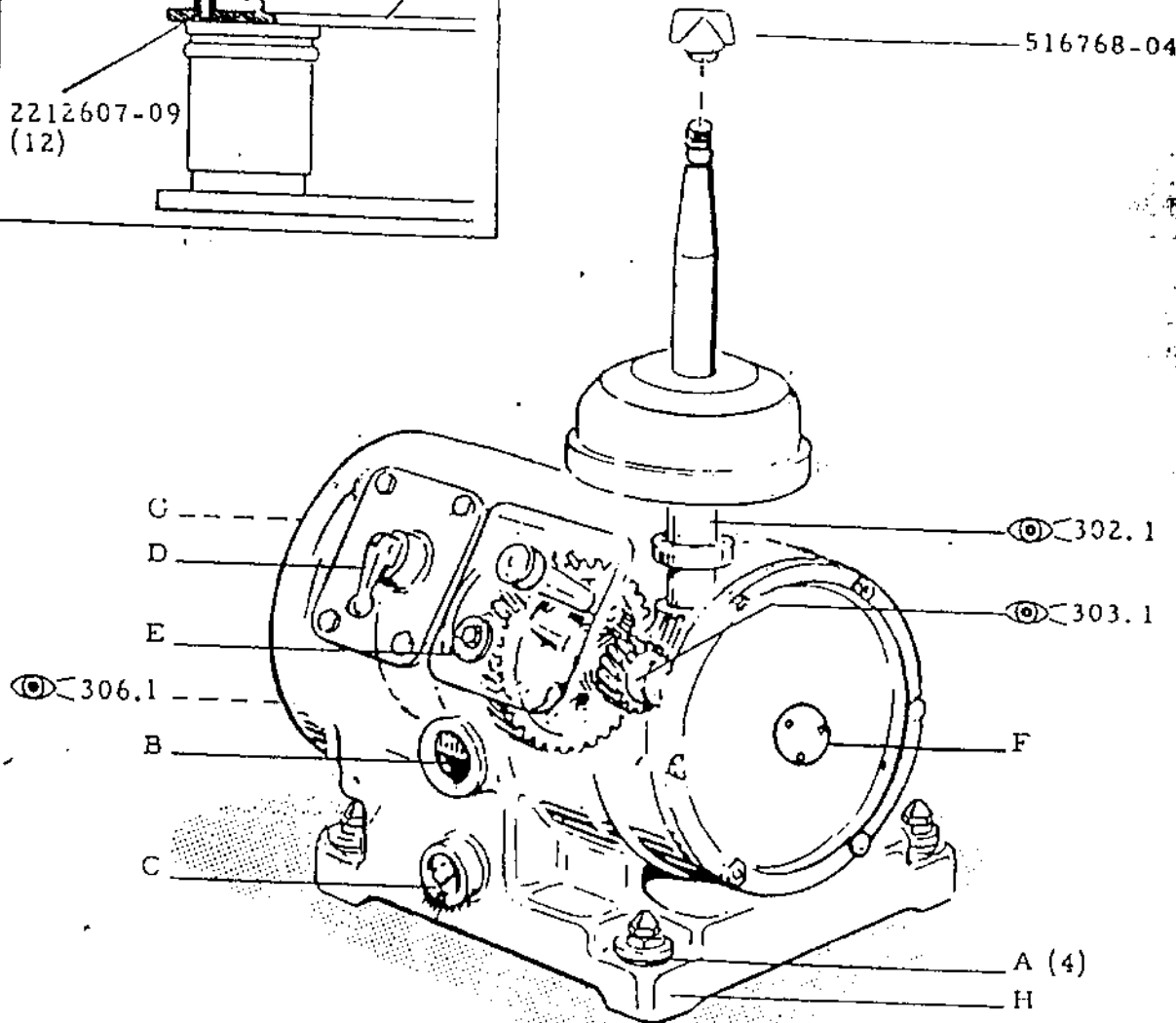
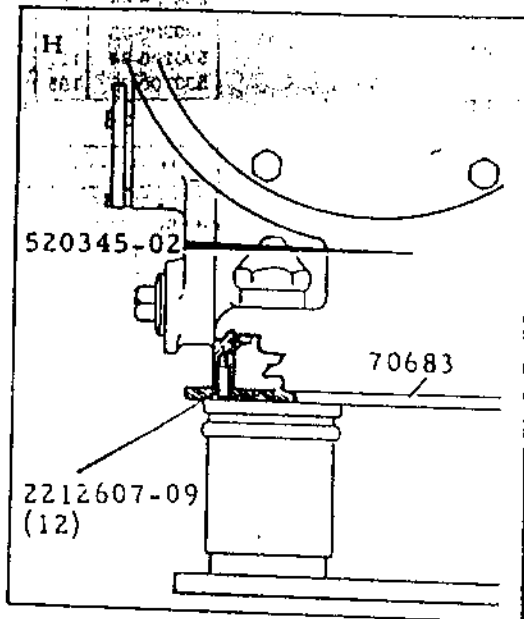
300.1

Date

81-04

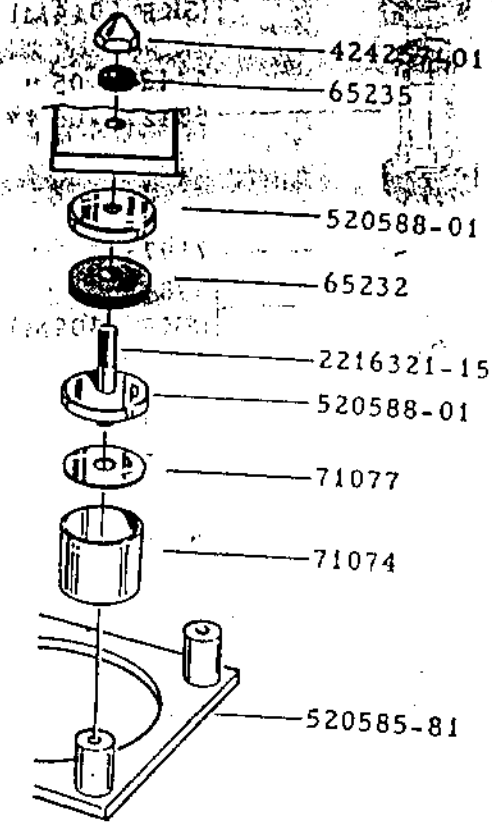
540234-08 for separator 50 Hz

540234-09 for separator 60 Hz

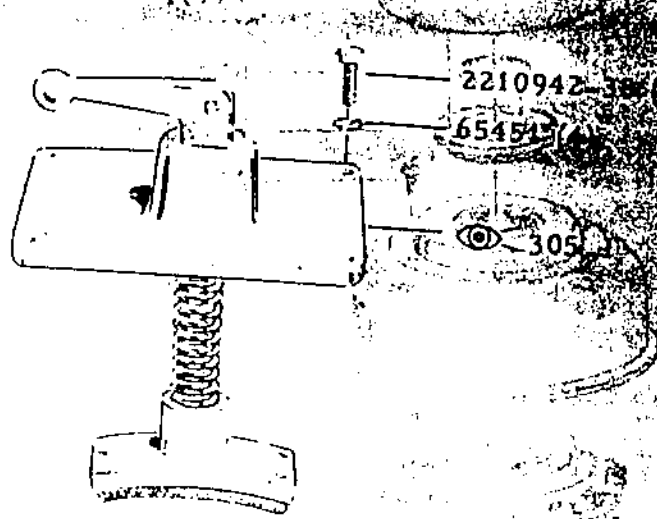


A, B, C, D, E, F, G Ⓞ 301.1

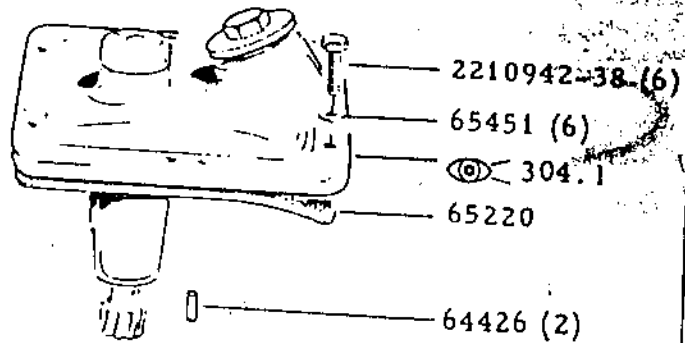
A



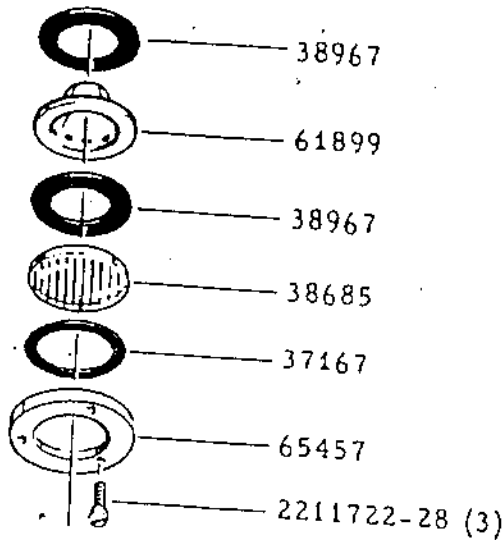
D



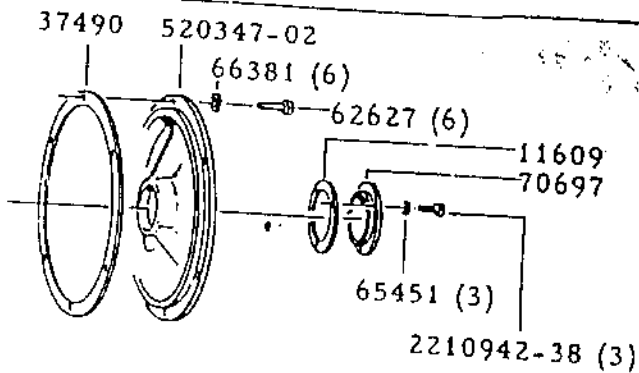
E



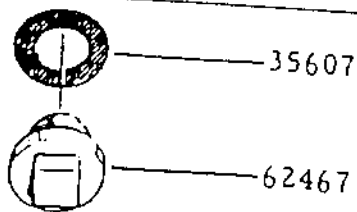
B



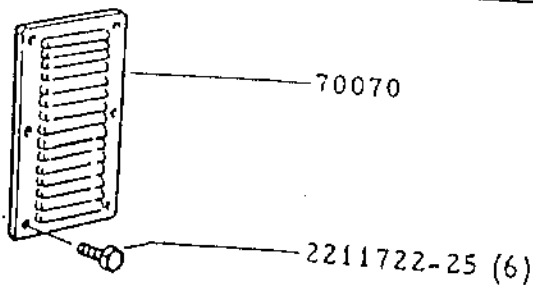
F



C



G



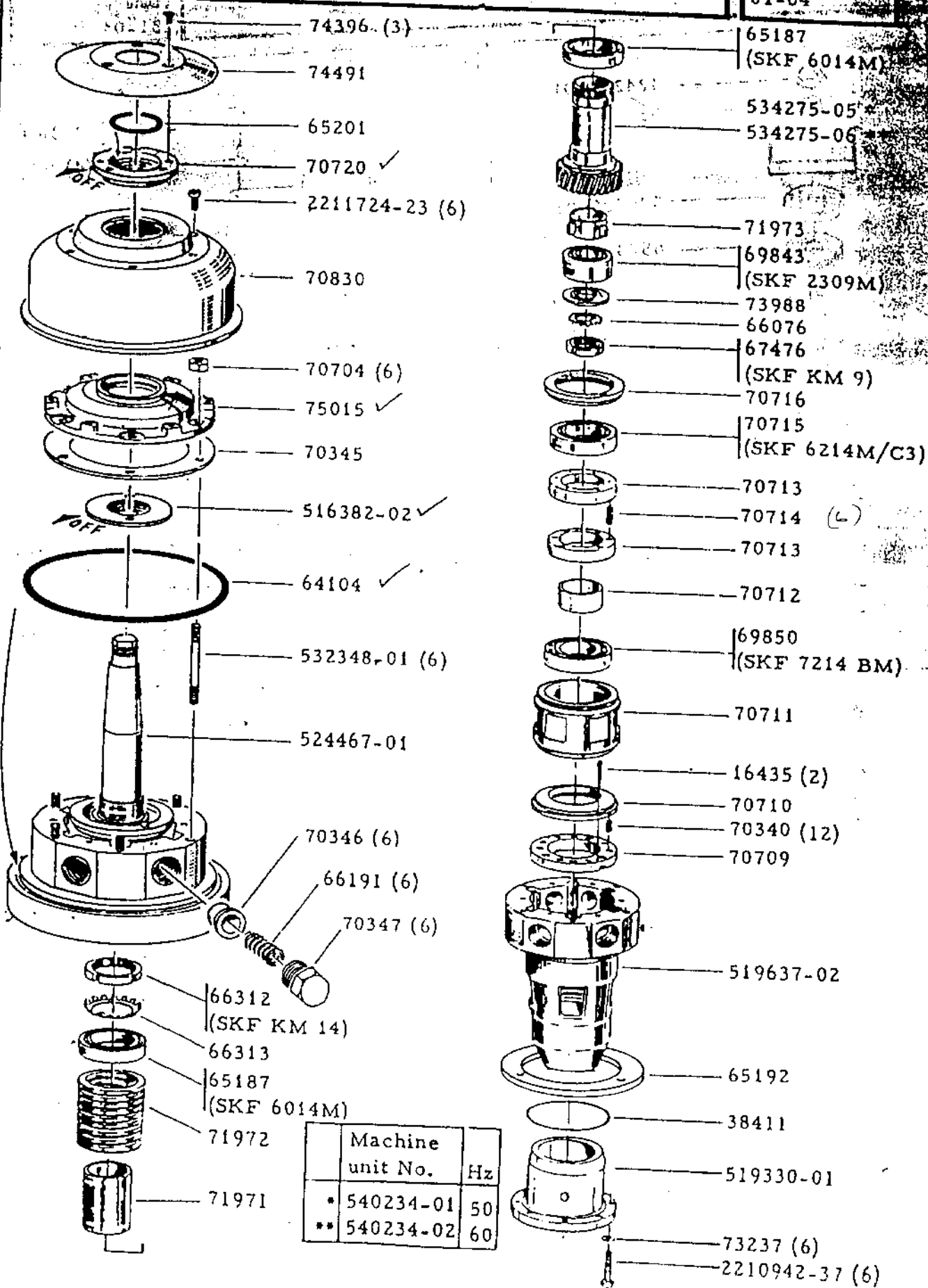
Driving device, vertical

540234-01-08/09

302.1

Date
81-04

540232-01, J2**



	Machine unit No.	Hz
*	540234-01	50
**	540234-02	60

Description

Driving device, horizontal

Machine Unit No

540234-08/09

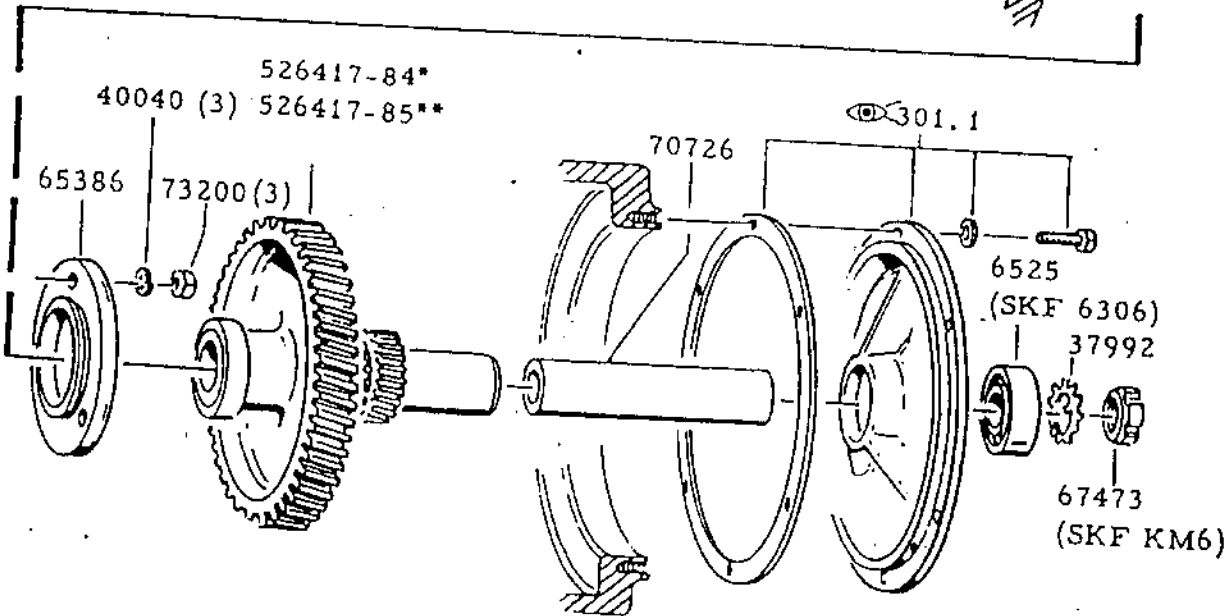
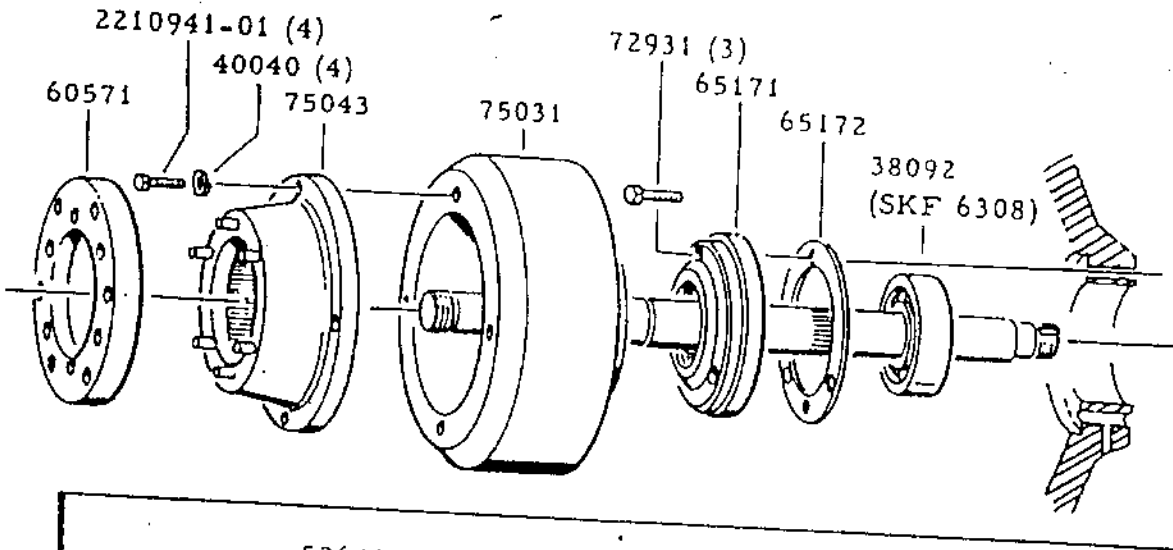
Page

303.1

Date

81-04

540233-01*02**



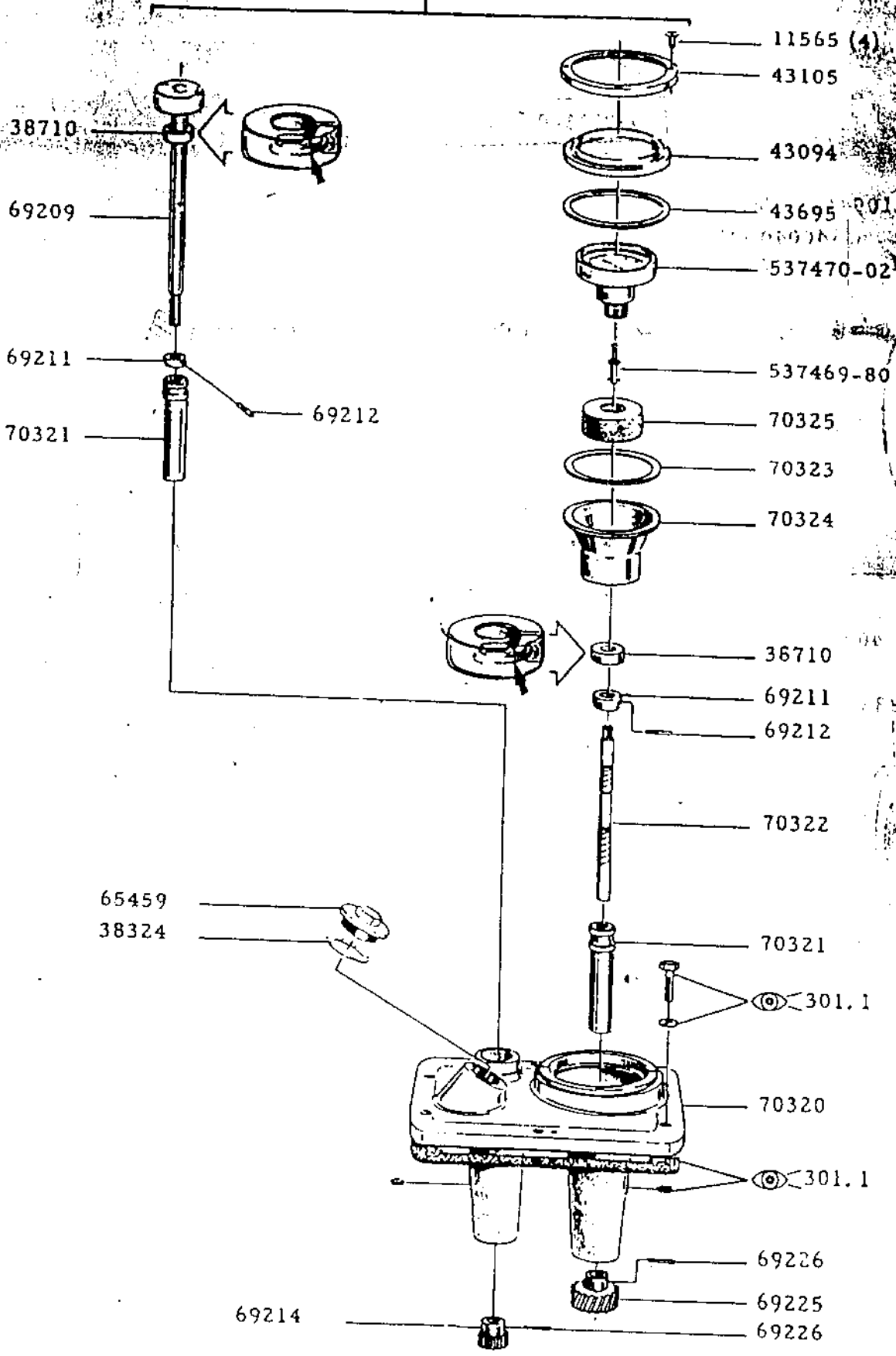
Machine unit No.	Hz
* 540234-01	50
** 540234-02	60

Description
Revolution counter
and tachometer

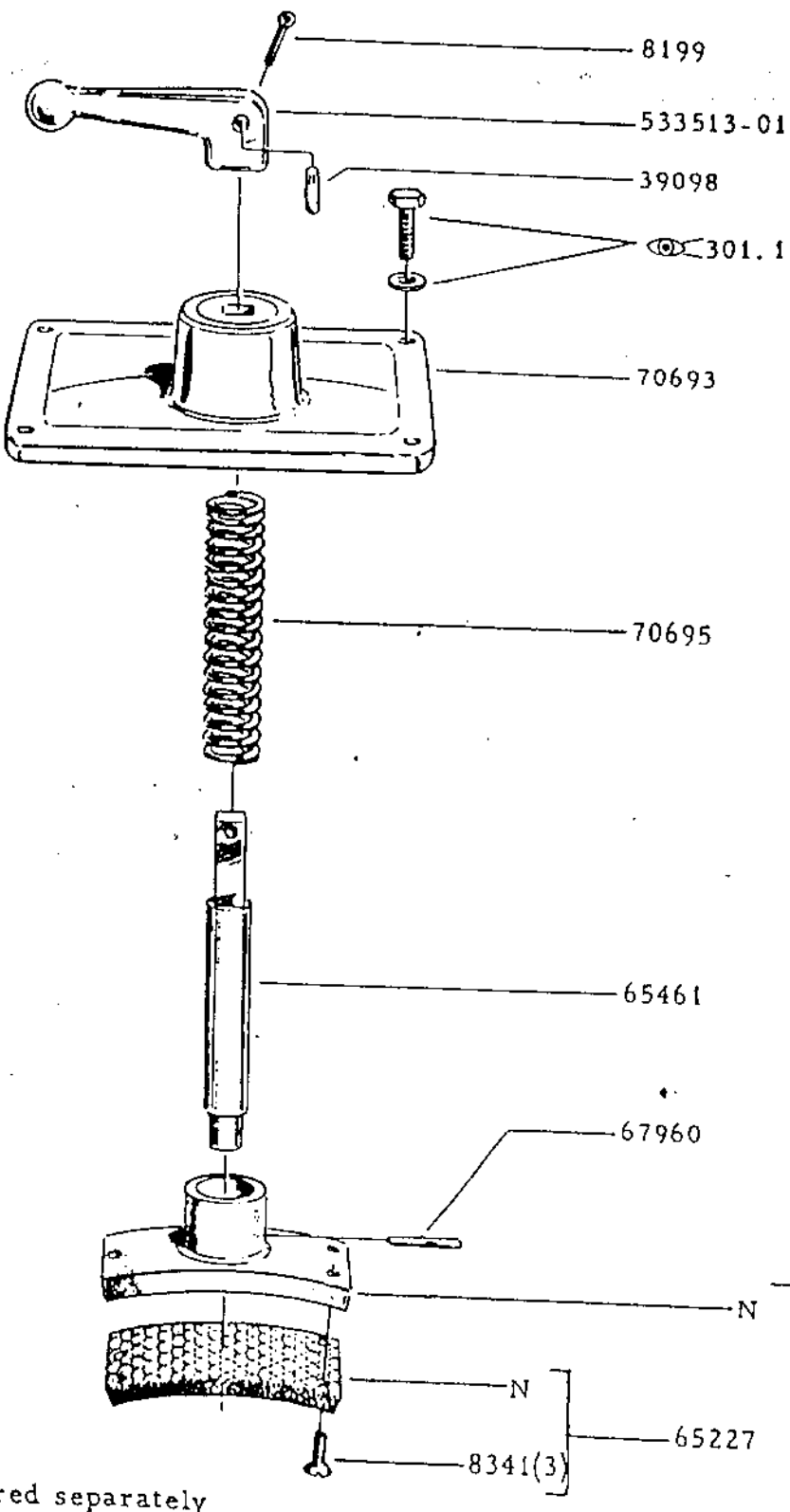
Machine Unit No
540234-08/09

Page
304
Date
81-04

519678-80



515116-01



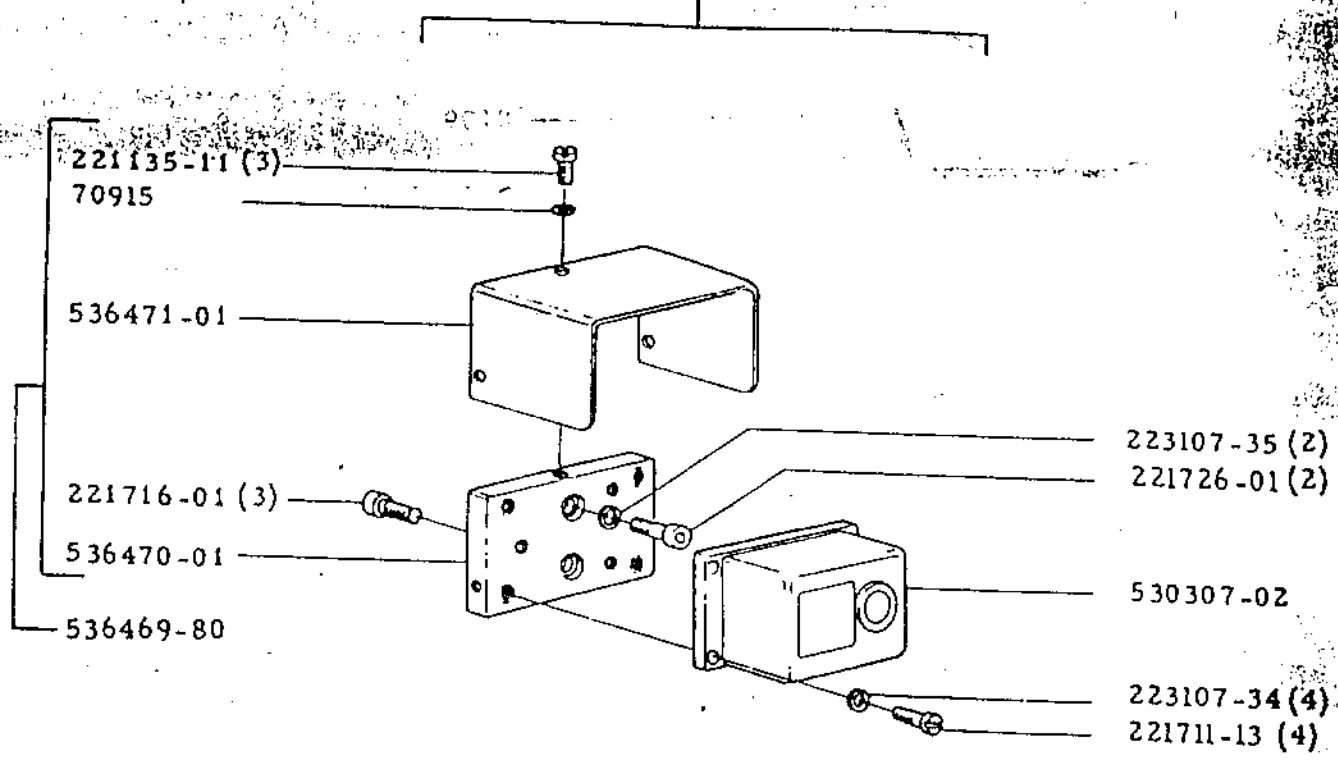
N Not delivered separately

Description
Vibraswitch

Machine-Unit No
540234-08/09

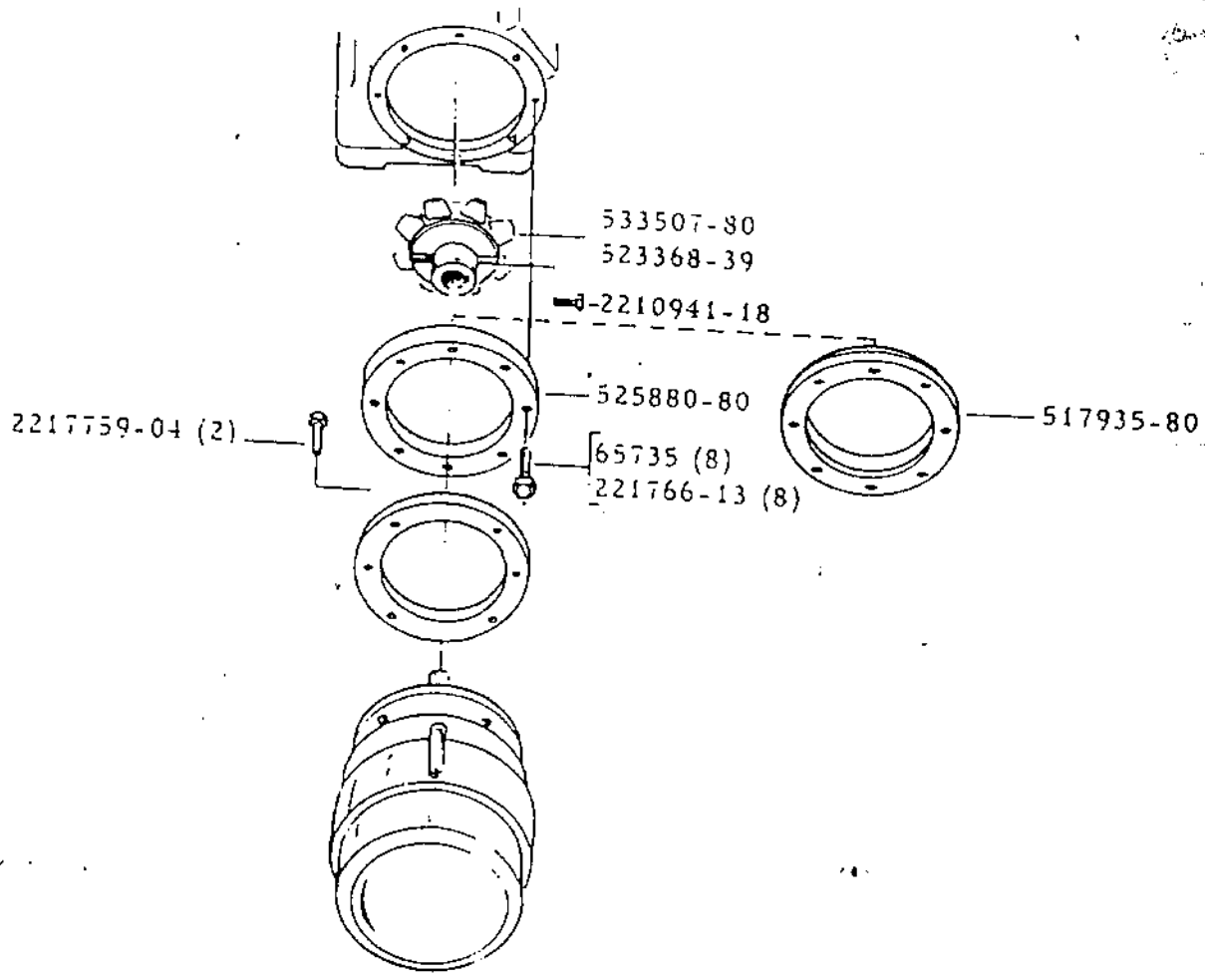
Page
306.1
Date
81-04

536498-80



Description Parts for mounting of motor	Machine Unit No S-10259-01
---	-------------------------------

Page 400.1
Date 81-01



Description

Set of tools

Machine Unit No

540279-08

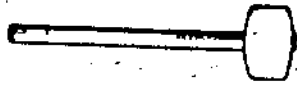
Page

500:1

Date

81-09

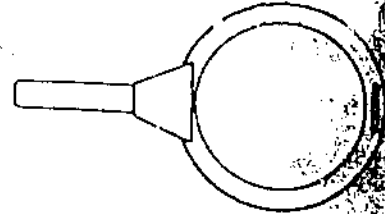
64324



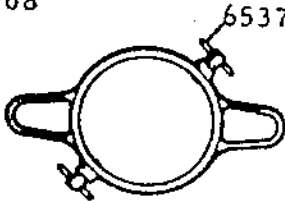
72244



74783



65368



65370 (2)

72246

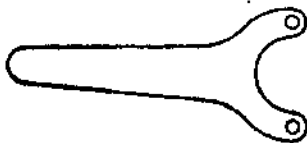


21 mm

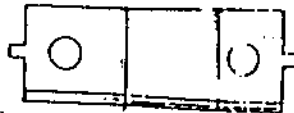
260154-01 (2)



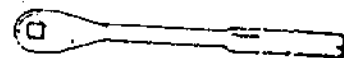
65380



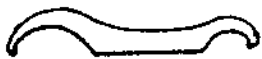
72719



260161-01



69696

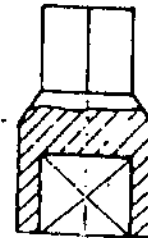


73085



24 mm

260164-03



70844



73376



9/16"

317646-80



72243



73377



3/4"

516771-80



Description

Set of tools

Machine Unit No



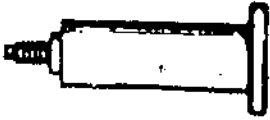

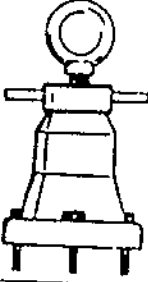
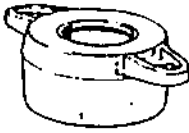

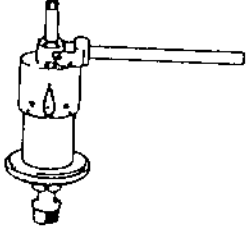
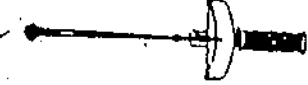


540279-08

Page

5002

Date

81-09

<p>527353-04 17 mm</p> 	<p>540323-80</p> 	
<p>528514-80</p> 	<p>542270-82</p> 	
<p>532265-82</p> 	<p>543133-02</p> 	
<p>537446-01</p> 	<p>543135-01</p> 	
<p>538016-01</p> 	<p>SO 4380</p> 	
<p>539156-80</p> 		

810901

PRODUCT NO 88 1051 0101

PART NO	DESCRIPTION
6525	BALL BEARING
8199	SPLIT PIN
8341	SCREW
9401	RECTANGULAR RING
11532	PIN
11565	SCREW
11609	GASKET
15435	SPLIT PIN
17812	SCREW
13385	SEAL SLEEVE
23758	WASHER
25357	WASHER
27581	SCREW
33787	GASKET
35667	GASKET
37167	RECTANGULAR RING
37296	WASHER
37490	GASKET
37992	LOCK WASHER
38092	BALL BEARING
38324	GASKET
38411	O-RING
38685	GLASS DISK
38710	SEAL RING
38967	GASKET
39094	CYLINDRICAL PIN
39790	GASKET

PART NO	DESCRIPTION
40340	SPRING WASHER
43094	GLASS
43105	FIXING RING
43695	O-RING
60571	ELASTIC PLATE
61899	GUARD
62467	DRAIN SCREW
62627	SCREW
62679	BULB
63264	BULB
64104	O-RING
64324	TIN HAMMER
64361	SCREW
64426	PARALLEL PIN
64731	PIN
65171	PROTECTING COVER
65172	GASKET
65187	SING ROW RIG BALL BEARING
65192	GASKET
65201	O-RING
65220	GASKET
65227	FRICITION PAD
65228	FRICITION PAD
65232	RECTANGULAR RING
65235	RECTANGULAR RING
65246	SIGHT GLASS
65247	SEAL RING

60-18

PROJECT NO 88 1051 0101

810901

ART NO	DESCRIPTION	PART NO	DESCRIPTION
65252	LAMP HOLDER		
65368	SPANNER	67844	SCREW
65370	CLAMP SCREW	67912	STUD BOLT
		67963	SLOTTED PIN
65381	PIN SPANNER		
65386	WASHER	68075	SIGHT GLASS
65451	WASHER	68076	SEAL RING
		68631	WASHER
65457	FIXING PLATE		
65459	FILLING PLUG	68936	HOSE LINER
65461	SPINDLE	68937	RECTANGULAR RING
		68956	HOSE NIPPLE
65586	O-RING		
65735	SCREW	69209	SHAFT
66076	LOCK WASHER	69211	STOP RING
		69212	SLOTTED PIN
66163	PIN		
66169	DRIVE SCREW	69213	GEAR WHEEL
66191	SPRING	69214	GEAR WHEEL
		69224	GEAR WHEEL
66312	ROUND NUT		
66313	LOCK WASHER	69225	GEAR WHEEL
66381	WASHER	69226	TAPER PIN
		69584	RECTANGULAR RING
67411	O-RING		
67429	GUIDE PIN	69626	CONNECTING PIPE
67473	ROUND NUT	69630	VALVE SCREW
		69696	HOOK SPANNER
67476	ROUND NUT		
67566	O-RING	69843	BALL BEARING
67675	O-RING	69850	ANGULAR CONTACT BALL BEAR
		70320	TACHOMETER CAP
67783	SLOTTED PIN		
67785	GUIDE PLUG	70321	BUSHING
67811	O-RING	70322	SHAFT
		70323	GASKET

PRODUCT NO 88 1051 0101

810901

ART NO	DESCRIPTION	PART NO	DESCRIPTION
70324	GUIDE SLEEVE	70844	LIFTING TOOL
70325	TACHOMETER HOLDER	70915	SPRING WASHER
70340	SPRING	71068	RECTANGULAR RING
70345	GASKET	71074	SPACING TUBE
70346	BUFFER	71077	HEIGHT ADJUSTING WASHER
70347	SCREW PLUG	71143	STJD BOLT
70485	STUD BOLT	71162	SEAL RING
70490	WASHER	71343	COUPLING NUT
70492	WASHER	71349	HANDWHEEL
70683	BOTTOM PLATE	71456	CYLINDRICAL PIN
70693	PROTECTING GUARD	71846	TUBE NUT
70695	SPRING	71971	SPACING SLEEVE
70697	BOWL BEARING COVER	71972	SPRING
70700	GRATING	71973	CONVEYOR
70704	NUT	72018	SCREW
70708	BUFFER	72123	LOCK RING
70709	SPRING SUPPORT	72243	T-HANDLE
70710	WEAR RING	72244	EXTENSION ROD
70711	BALL BEARING HOUSING	72246	SOCKET
70712	SPACING SLEEVE	72449	HINGE PIN
70713	SPRING SUPPORT	72719	PIN SPANNER
70714	SPRING	72876	SCREW
70715	BALL BEARING	72931	CLAMP SCREW
70716	LOCK RING	72946	NUT
70720	COLLAR	72947	CAP NUT
70726	SPACING SLEEVE	73085	SOCKET FOR SOCKET SPANNER
70830	PROTECTING GUARD	73198	SLOTTED PIN

PRODUCT NO 88 1051 0101

PART NO	DESCRIPTION
73200	NUT
73237	WASHER
73376	SOCKET FOR SOCKET SPANNER
73377	SOCKET FOR SOCKET SPANNER
73397	SCREW
73988	WASHER
74067	O-RING
74355	O-RING
74384	MEMBRANE
74386	PRESSURE GAUGE
74396	SCREW
74414	REGULATING VALVE
74421	VALVE CONE
74425	VALVE BUSHING
74458	INSPECTION BOX COMPLETE
74459	INSPECTION BOX COMPLETE
74462	GLASS TUBE
74463	OUTLET FLANGE
74464	SUPPORT FOR LAMP HOLDER
74465	SCREW
74468	COVER
74469	COVER COMPLETE
74475	CLAMP SCREW
74491	PROTECTING PLATE
74494	COLLAR
74567	SLOTTED PIV
74690	GUIDE RING LOWER

810901

PART NO	DESCRIPTION
74693	BRACKET
74694	OUTLET BEND
74699	SEAL RING
74699	FLANGE
74700	GASKET
74701	SUPPORT
74722	RECTANGULAR RING
74730	TOP DISK
74736	SEALRING
74783	SPANNER
75015	COVER
75031	WORM WHEEL SHAFT
75043	COUPLING DISK
75061	BOTTOM DISK
75062	BOWL DISK
75075	BOWL DISK
190604	RECTANGULAR RING
190613	COUPLING NUT
190615	COUPLING NUT
190616	COUPLING NUT
190630	CONNECTING SLEEVE
190644	NIPPLE
190997	LINER
191004	NIPPLE
221121 03	SCREW
221121 55	SCREW
221126 15	SCREW

PRODUCT NO 88 1051 0101

810901

PART NO DESCRIPTION

221126 54	SCREW
221126 56	SCREW
221135 11	SCREW
221136 02	SCREW
221585 13	SCREW
221711 07	SCREW
221711 13	SCREW
221716 01	SCREW
221721 20	SCREW
221726 01	SCREW
221766 13	SCREW
221803 33	NUT
222116 36	SLOTTED PIN
222119 42	SPRING PIN
223101 02	WASHER
223101 30	WASHER
223101 34	WASHER
223101 49	WASHER
223101 50	WASHER
223107 34	SPRING WASHER
223107 35	SPRING WASHER
223336 01	RECTANGULAR RING
223404 18	O-RING
223406 98	O-RING
223412 15	O-RING
223412 17	O-RING
223412 31	O-RING

PART NO	DESCRIPTION
223412 38	O-RING
223412 43	O-RING
223412 88	O-RING
223643 04	SNAP RING
225415 43	LINK SCREW
225444 33	HINGED BOLT
260154 01	LIFTING EYE
260154 03	LIFTING EYE
260151 01	RATCHET HANDLE
260164 03	SLEEVE
260214 01	REDUCING TAP
317546 80	TEMPLET
424245 01	GUIDE PLUG
424257 01	CAP NUT
515116 01	PROTECTING GUARD
515133 04	NOZZLE
516281 14	GASKET
516352 80	FRAME RING
516371 92	BOWL DISK
516371 93	BOWL DISK
516371 94	BOWL DISK
516382 02	OIL FAN
516768 04	CAP NUT
516771 80	LIFTING TOOL
516780 01	TOP DISK
517935 80	MOTOR ADAPTER, COMPL
518304 03	PLUG

PAGE

PRODUCT NO 88 1051 0101

810901

ART NO	DESCRIPTION
518390 02	CONNECTION PIECE
518392 01	THROTTLE
518469 03	HANDLE
518859 82	EPOXY LACQUER
519330 01	SLEEVE
519548 01	SEAL RING
519549 01	GLASS
519637 02	SPRING CASING
519678 80	CAP WITH TACHOMETER
519679 04	CLAMPING SHOE
520200 02	GASKET
520214 80	TOP DISK
520238 01	NUZZLE
520250 02	HOSE SLEEVE
520345 02	FRAME BOTTOM PART
520347 02	BEARING SHIELD
520361 80	THROTTLE SHAFT
520529 02	PLUG
520585 81	FOUNDATION PLATE
520588 01	CAP
521141 11	CYLINDRICAL PIN
523368 39	COUPLING PULLEY
524216 80	FRAME RING
524467 01	BOWL SPIVOLE
525298 01	FILTER
525298 03	STRAINER INSET
525643 02	RECTANGULAR RING

PART NO	DESCRIPTION
525880 80	MOTOR ADAPTER
526417 84	WORM WHEEL
526417 85	WORM WHEEL
526703 02	SUPPORT
526719 01	HOLDER
526770 81	INSPECTION BOX
527353 04	SOCKET FOR SOCKET SPANNER
527614 10	TERMINAL
527614 11	EARTH TERMINAL
527614 12	MOUNTING RAIL
527614 13	END PLATE
527971 01	GUIDE RING
528096 01	HEIGHT ADJUSTING RING
528514 80	PULLER
528515 01	SCREW
529306 80	DISCHARGE PIPE
529307 01	PLUG
529308 80	INSPECTION BOX
529403 80	PIN SPANNER
529910 05	SEAL SLEEVE
530007 03	SWITCH
530087 03	PARING CHAMBER
530096 80	DISCHARGE COVER
530185 01	CLAMP WASHER
530200 03	GRAVITY DISK
530200 04	GRAVITY DISK
530200 05	GRAVITY DISK

PAGE

PRODUCT NO 88 1051 0101

810901

PART NO DESCRIPTION

530200 06	GRAVITY DISK
530200 07	GRAVITY DISK
530200 08	GRAVITY DISK
530200 09	GRAVITY DISK
530200 10	GRAVITY DISK
530208 01	HEIGHT ADJUSTING RING
530307 02	VIBRASWITCH
530430 08	RELAY HOLDER
530431 01	CLIP SOCKET
530490 80	PROGRAM TIMER
530490 81	PROGRAM TIMER
530603 01	PUSH BOTTON
530603 02	PUSH BOTTON
530603 03	PUSH BOTTON
530603 04	BULB
530603 07	PILOT LAMP
530603 08	PILOT LAMP
530603 10	PUSH-BUTTON
530603 11	LENS
530603 12	LENS
530603 14	PROTECTING RING
530603 15	PILOT LAMP
530603 16	LENS
530603 17	LENS
530615 01	SOCKET
530615 04	COVER
530615 05	TIMER

PART NO DESCRIPTION

530616 02	CAM SHAFT
530617 01	RELAY
530617 02	RELAY
532265 82	LIFTING TOOL
532348 01	STUD BOLT
533507 80	COUPLING DISK
533513 01	HANDLE
534275 05	WORM
534275 06	WORM
535366 01	SEAL RING
535370 01	LOCK RING
535417 80	FRAME HOOD
535839 01	SUPPORT
535861 01	PROTECTING CAP
535891 01	SPACING TUBE
535891 03	SPACING TUBE
535894 80	LOCK SWITCH
535895 01	ACTUATOR
535899 01	PLUG
536323 80	INLET PIPE
536323 82	INLET PIPE
536333 81	DISTRIBUTING RING
536334 02	COVER
536343 80	PARING DISK
536345 80	PARING DISK TOP PART
536469 80	SUPPORT
536470 01	PLATE

PAGE

PRODUCT NO. BE 1051 0131

810901

PART NO	DESCRIPTION
536471 01	CAP
536498 80	VIBRASWITCH
536527 01	PARING CHAMBER BOTT PART
536553 01	LINING
536554 02	FIXING RING
536593 02	CABLE
536613 01	LOCK-SWITCH
536704 02	CAP NUT
536715 02	CONTROL PARING DISK
536737 01	CAP NUT
536773 01	SCREW
536775 01	GASKET
536784 03	PISTON
536799 01	FRAME TOP PART
536845 02	TAPPED RING
536889 01	SCREW
537086 02	MOLYBDENUM DISULFIDE PAST
537446 01	BELT PIPE WRENCH
537469 01	SHAFT
537470 02	TACHOMETER
537511 80	INLET PIPE COMPLETE
537602 80	BRAKE SHDE
538016 01	TORQUE WRENCH
538017 80	BOWL DISK
538017 81	BOWL DISK
538017 82	BOWL DISK
538017 83	BOTTOM DISK W. SLOT

PART NO	DESCRIPTION
538017 84	BOWL DISK W. SLOT
538017 85	BOWL DISK W. SLOT
538267 01	INSERT RING
539156 80	LIFT TOOL, SLID. BOWL BOTT.
539464 80	FRAME TOP PART
539475 04	O-RING
539475 05	VALVE HOUSING
539475 06	CORE WITH SPRING
539475 07	O-RING
539475 10	SCREW
539475 11	SCREW
539475 12	CABLE HEAD WITH SCREW
539615 02	PROPORTIONING RING
539740 80	OPERATING SLIDE COMPL
539745 01	VALVE PLUG
539753 80	FRAME RING
539758 01	HOOK
540195 86	TIMING RELAY
540197 01	RECTIFIER
540234 08	MACHINE BOTTOM PART
540234 09	MACHINE BOTTOM PART
540239 80	FRAME TOP PART COMPLETE
540259 01	PARTS FOR MOTOR MOUNTING
540259 02	PARTS FOR MOTOR MOUNTING
540323 80	TOOL F DISTRIB RING COVER
540325 01	PLATE
540398 03	DISTRIBUTOR

PART NO	DESCRIPTION
540398 04	DISTRIBUTOR
540526 03	PLUGS
540526 05	COIL COMPLETE 60HZ
540526 06	COIL COMPLETE 50HZ
540689 01	7 SEGMENTS COUNTER 48V AC
540696 01	CONTACTOR WITH BOX
540696 02	CONTACTOR WITH BOX
540699 80	DISTRIBUTING COVER
540700 01	HOLDER
540725 01	CENTRIFUGAL PUMP
540725 02	CENTRIFUGAL PUMP
540725 03	CENTRIFUGAL PUMP
540725 04	CENTRIFUGAL PUMP
540725 05	CENTRIFUGAL PUMP
540725 06	CENTRIFUGAL PUMP
540725 07	CENTRIFUGAL PUMP
540725 08	CENTRIFUGAL PUMP
540725 09	CENTRIFUGAL PUMP
540725 10	CENTRIFUGAL PUMP
540740 01	SPARE PARTS SET
540915 80	LOCK SWITCH
541276 01	SEAL SLEEVE
541277 01	FITTING
541278 01	SEAL SLEEVE
541279 01	CABLE CAP
541280 01	SLEEVE PART
541281 01	PIV PART

PART NO	DESCRIPTION
541282 01	CABLE CAP
541330 80	DISTRIBUTING CONE, COMPL.
541730 80	BOWL BODY COMPLETE
541733 80	SLIDING BOWL BOTTOM COMPL
541735 01	BOWL HOOD
542123 01	MACHINE TOP PART
542123 02	MACHINE TOP PART
542124 01	MACHINE TOP PART
542125 01	SEPARATOR BOWL
542125 02	SEPARATOR BOWL
542125 03	SEPARATOR BOWL
542125 04	SEPARATOR BOWL
542138 80	DISTRIBUTION CONE
542270 82	LIFTING TOOL
542272 01	STOP WASHER
542317 03	TOP BEARING HOOD
543125 01	HANDLE
543133 02	LIFTING RING
543134 02	COMPRESSION TOOL
543134 03	PACKING SET
543135 01	COMPRESSION TOOL
550073 05	COIL
550133 02	SOLENOID VALVE
550133 04	SPARE PART KIT
550162 80	OPE 61X, 50HZ
550162 81	OPE 61X, 60HZ
550162 82	OPE 61X, 50 HZ

PRODUCT NO 88 1011 018

810901

PART NO	DESCRIPTION
550162 83	DPE 61X, 60 HZ
550163 80	PROGRAMME EQUIPMENT
550163 81	PROGRAMME EQUIPMENT
550167 01	SOLENOID VALVE BLOCK
550167 02	SOLENOID VALVE BLOCK
550167 03	MOUNTING PLATE
550167 80	SOLENOID VALVE 50HZ
550167 81	SOLENOID VALVE 60HZ
550182 80	EXTERNAL COMPONENTS
550182 81	EXTERNAL COMPONENTS
550182 82	EXTERNAL COMPONENTS
550182 83	EXTERNAL COMPONENTS
550182 84	EXTERNAL COMPONENTS
550182 85	EXTERNAL COMPONENTS
550182 86	EXTERNAL COMPONENTS
550182 87	EXTERNAL COMPONENTS
550182 88	EXTERNAL COMPONENTS
550182 89	EXTERNAL COMPONENTS
550192 04	VALVE
550261 80	EXTERNAL COMPONENTS
550261 81	EXTERNAL COMPONENTS
550261 82	EXTERNAL COMPONENTS
550261 83	EXTERNAL COMPONENTS
550261 84	EXTERNAL COMPONENTS
550261 85	EXTERNAL COMPONENTS
550261 86	EXTERNAL COMPONENTS
550261 87	EXTERNAL COMPONENTS

PART NO	DESCRIPTION
550261 88	EXTERNAL COMPONENTS
550261 89	EXTERNAL COMPONENTS
715697 83	OPERATING WATER TANK
770048 01	PRESSURE GAUGE
770048 07	REPAIR SET
770101 80	GEAR WHEEL
770120 03	BRACKET
770120 04	REPAIR SET
770120 80	PRESSURE REGULATOR
770227 01	HOSE
770370 01	CABLE PIT
770370 02	CABLE PIT
770370 03	SWITCH
770370 04	SWITCH
770373 10	PLUG
980081 80	CABLE GLAND
2 210941 01	SCREW
2 210941 05	SCREW
2 210941 18	SCREW
2 210942 36	SCREW
2 210942 37	SCREW
2 210942 38	SCREW
2 210947 15	SCREW
2 210948 33	SCREW
2 210949 15	SCREW
2 210950 13	SCREW
2 210950 31	SCREW

PRODUCT VJ 88 1051 0101

PART NO DESCRIPTION

2 211722 25 SCREW
2 211722 28 SCREW
2 211724 23 SCREW

2 212607 09 SCREW
2 212608 03 SCREW
2 216261 02 STUD BOLT

2 216321 02 SCREW
2 216321 15 STUD BOLT
2 217759 04 SCREW

2 217771 14 SCREW
2 218043 04 NUT
2 218043 05 NUT

2 234121 18 O-RING
2 245101 02 HOSE CLIP
1801 1438 1 BULKHEAD COUPLING

1801 1440 1 ELBOW UNION
1801 1444 1 PARALLEL MALE STUD
9 900120 14 DECORON TUBE

810901

PART NO DESCRIPTION