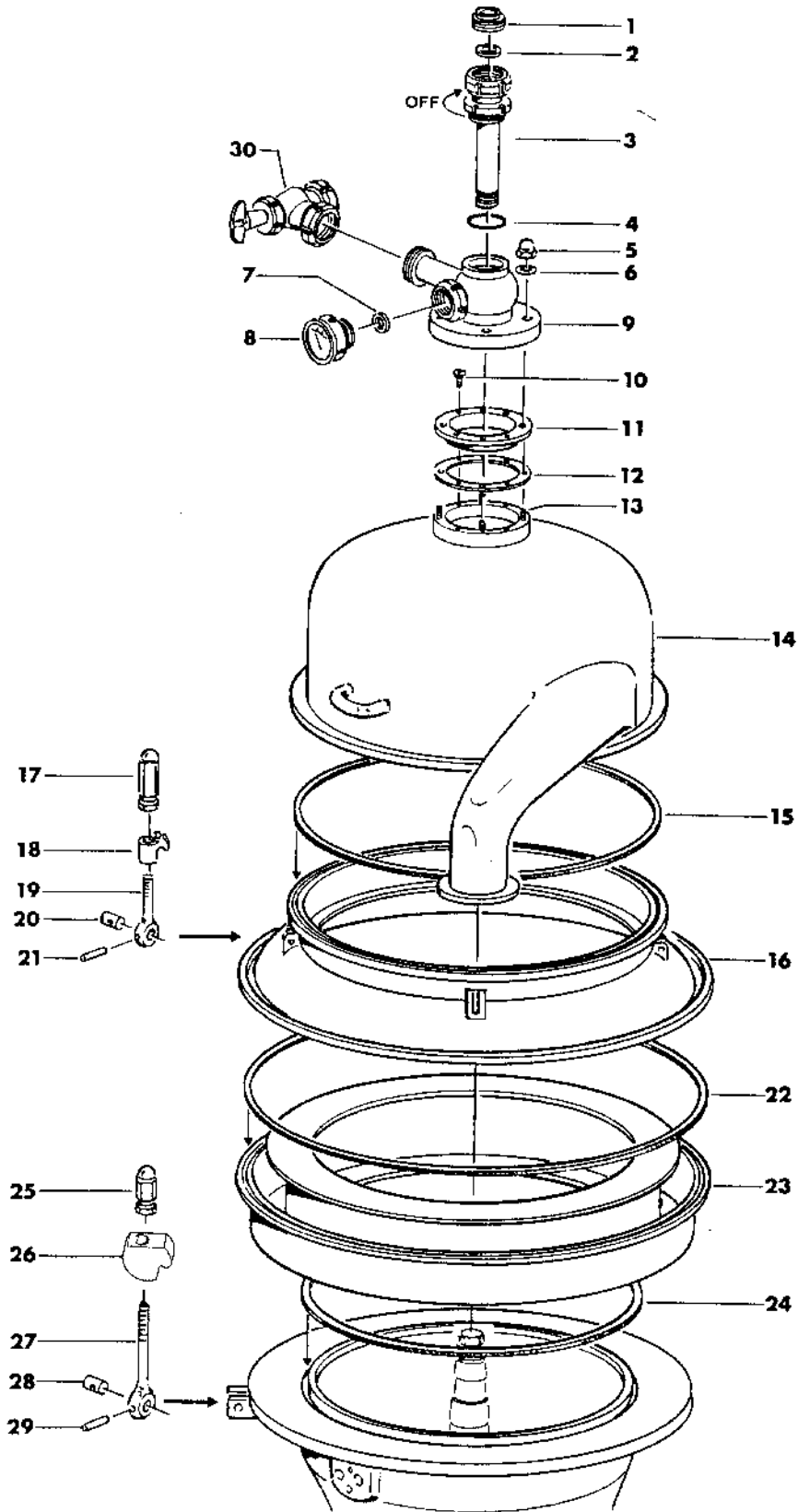


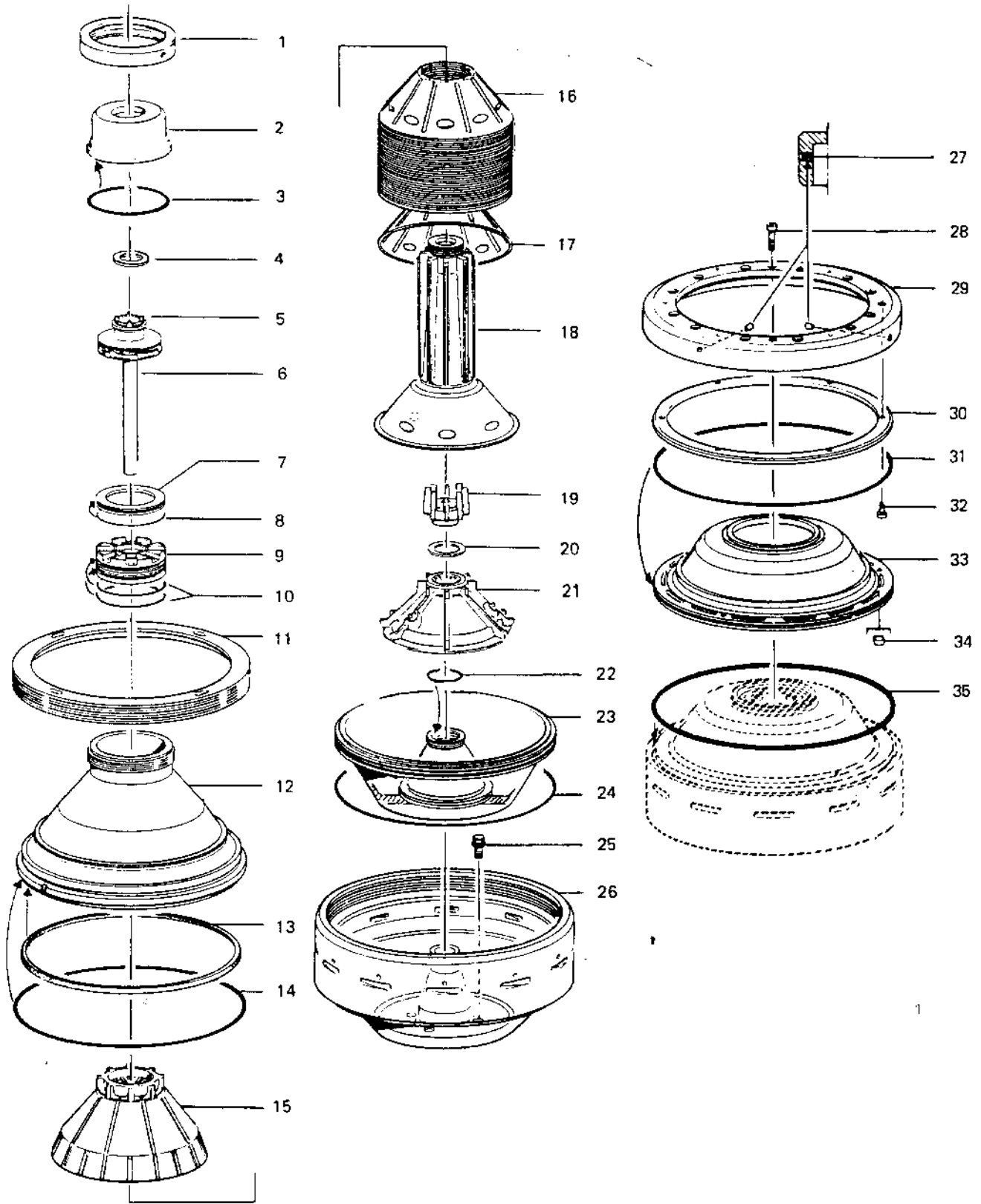
Hutchison-Hayes Separators, Inc.

Model BRPX 313 Parts List With Diagrams

P.O. Box 2965 ♦ Houston, Texas 77252
3520 East Belt ♦ Houston, Texas 77015
(713) 455-9600 ♦ Fax (713) 455-7753

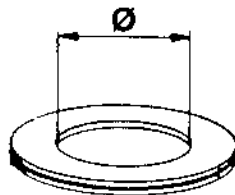


Ref.	Part No. Delnr.	Qty. Ant.	Part name	Benämning
1	190644	1	Nipple (even pipes) 51 mm, 2"	Nippel (släta rör) 51 mm, 2"
2	190604	1	Packing	Packning
3	537511-80	1	Inlet pipe	Tilloppspip
4	2234121-18	1	Seal ring	Tätningarring
5	72947	4	Cap nut	Hattmutter
6	223101-34	4	Washer	Bricka
7	74384	1	Rubber membrane	Gummimembran
8	74386	1	Pressure gauge	Tryckmätare
9	530096-80	1	Discharge cover	Utloppslock
10	2212608-03	4	Screw	Skruv
11	527971-01	1	Guide ring	Styrring
12	528096-01	7	Height adjusting ring	Höjdring
13	67912	4	Stud bolt	Pinnskruv
14	535417-80	1	Frame hood	Stativhuv
15	67411	1	Seal ring	Tätningarring
16	516352-80	1	Frame ring, top part	Stativring, överdel
17	536704-02	4	Cap nut	Hattmutter
18	519679-02	4	Clamping shoe	Låsklack
19	225444-33	4	Hinged bolt	Länkskruv
20	71456	4	Hinge pin	Gångjärns-pinne
21	67783	4	Pin	Sprint
22	67811	1	Seal ring	Tätningarring
23	524216-80	1	Frame ring, bottom part	Stativring, innerdel
24	67675	1	Seal ring	Tätningarring
25	536737-01	12	Cap nut	Hattmutter
26	539758-01	12	Clamping shoe	Låsklack
27	225415-43	12	Hinged bolt	Länkskruv
28	72449	12	Hinge pin	Gångjärns-pinne
29	73198	12	Pin	Sprint
30	See chapter X Se kapitel X	1	Regulating valve	Regleringsventil

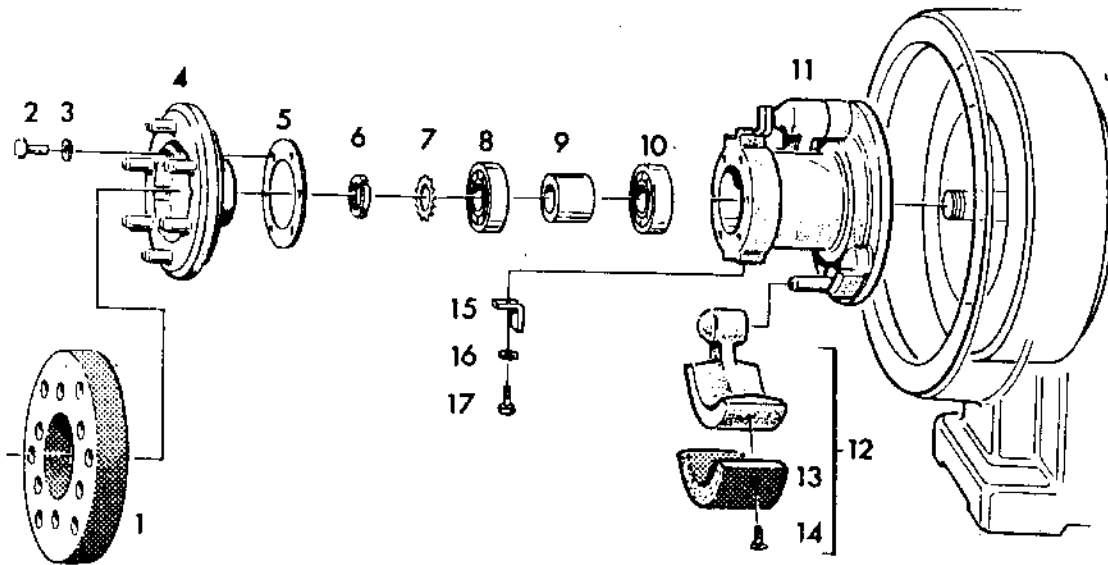


Ref.	Part No. Delnr.	Qty. Ant.	Part name	Benämning
	539752-81		PURIFICATOR BOWL complete (0.9 mm caulks)	PURIFIKATORKULA komplett (0,9 mm klammer)
1	72123	1	Lock ring, small (left- hand thread)	Låsring, mindre (vänster- gångad)
2	530087-03	1	Paring chamber, top part	Skalkammare, överdel
3	223412-88	1	Seal ring	Tätningssring
4	516281-14**	1	Packing	Packning
5	536345-01**	1	Paring disc, top part	Skalskiva, överdel
6	536343-80**	1	Paring disc, bottom part	Skalskiva, underdel
7	See next page Se nästa sida		Gravity disc	Regleringsbricka
8	223406-98	1	Seal ring	Tätningssring
9	536527-01	1	Paring chamber, bottom part	Skalkammare, underdel
10	223412-31	2	Seal ring	Tätningssring
11	535370-01*	1	Lock ring, large (left- hand thread)	Låsring, större (vänster- gångad)
12	535406-01*	1	Bowl hood	Kulhuv
13	74736	1	Seal ring	Tätningssring
14	74355	1	Seal ring	Tätningssring
15	74730*	1	Top disc	Överplåt
16	75062	114	Bowl disc	Insatsplåt
17	75061	1	Bottom disc	Underplåt
18	540398-04*	1	Distributor	Fördelare
19	536939-02**	1	Cap nut (left-hand thread)	Kapselmutter (vänstergänga)
20	520200-02	1	Packing	Packning
21	536805-80*	1	Distributing cone	Fördelningskona
22	74356	1	Seal ring	Tätningssring
23	539738-01	1	Sliding bowl bottom	Slidallrik
24	74722	1	Seal ring	Tätningssring
25	536773-01	3	Screw	Skruv
26	539742-80*	1	Bowl body	Kulkropp
27	515133-04	2	Nozzle	Munstycke
28	221721-20	12	Screw	Skruv
29	539615-01*	1	Dosing ring	Doseringsring
30	535358-01	1	Insert ring	Inläggsring
31	525643-02	1	Seal ring	Tätningssring
32	221711-07	6	Screw	Skruv
33	539740-80	1	Operating slide	Manöverslid
34	539745-01	3	Valve plug	Ventilpropp
35	74355	1	Seal ring	Tätningssring
			* Exchange necessitates rebalancing - send the COMPLETE bowl to an ALFA-LAVAL representative	* Utbyte nödvändiggör ombalansering - skicka in HELA kulan till en ALFA- LAVAL-representant.
			** Not included in the assembly number of the bowl.	** Ingår ej i kulans komplettnummer.

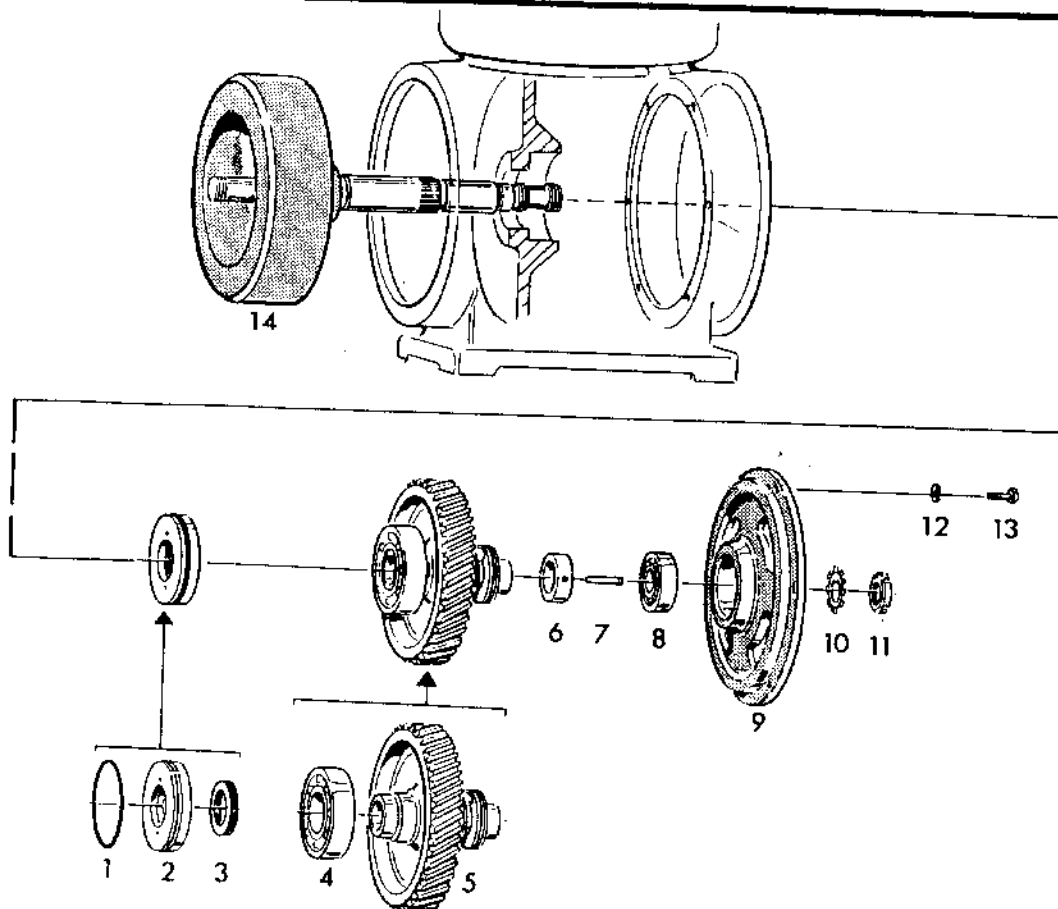
GRAVITY DISC
REGLERINGSBRICKA
REGULIERSCHEIBE



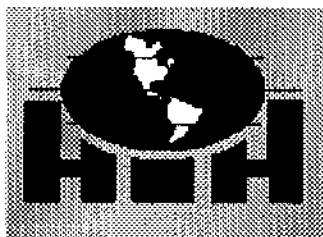
$\varnothing = 103$ mm	530200-01
$\varnothing = 107$ mm	530200-02
$\varnothing = 115$ mm	530200-03
$\varnothing = 127$ mm	530200-04
$\varnothing = 155$ mm	530200-05



Ref.	Part No. Delnr.	Qty. Ant.	Part name	Benämning
			CLUTCH COUPLING	FRIKTIONSKOPPLING
1	60571		Elastic plate	Ledskiva
2	72933	6	Screw	Skruv
3	40040	6	Spring washer	Fjäderbricka
4	71460		Coupling disc	Kopplingskiva
5	38164		Packing	Packning
6	67472 (SKF KM5)		Round nut	Rundmutter
7	38159 (SKF MB5)		Lock washer	Låsbricka
8	7026 (SKF 6305)*		Ball bearing	Kullager
9	38160		Spacing sleeve	Distanshylsa
10	8726 (SKF 6206)*		Ball bearing	Kullager
11	70363		Nave	Nav
12		4	Friction block with pad and screws for 50 Hz motor for 60 Hz motor	Friktionsback med skoning och skruvar för 50 Hz motor för 60 Hz motor
	518508-82 70366			
13	70208	4	Pad with screws	Skoning med skruvar
14	8341	16	Screw	Skruv
15	70372	4	Holding bracket	Stoppvinkel
16	40040	4	Spring washer	Fjäderbricka
17	73801	4	Screw	Skruv
			* or equivalent bearing of other make	* eller likvärdigt lager av annat fabrikat



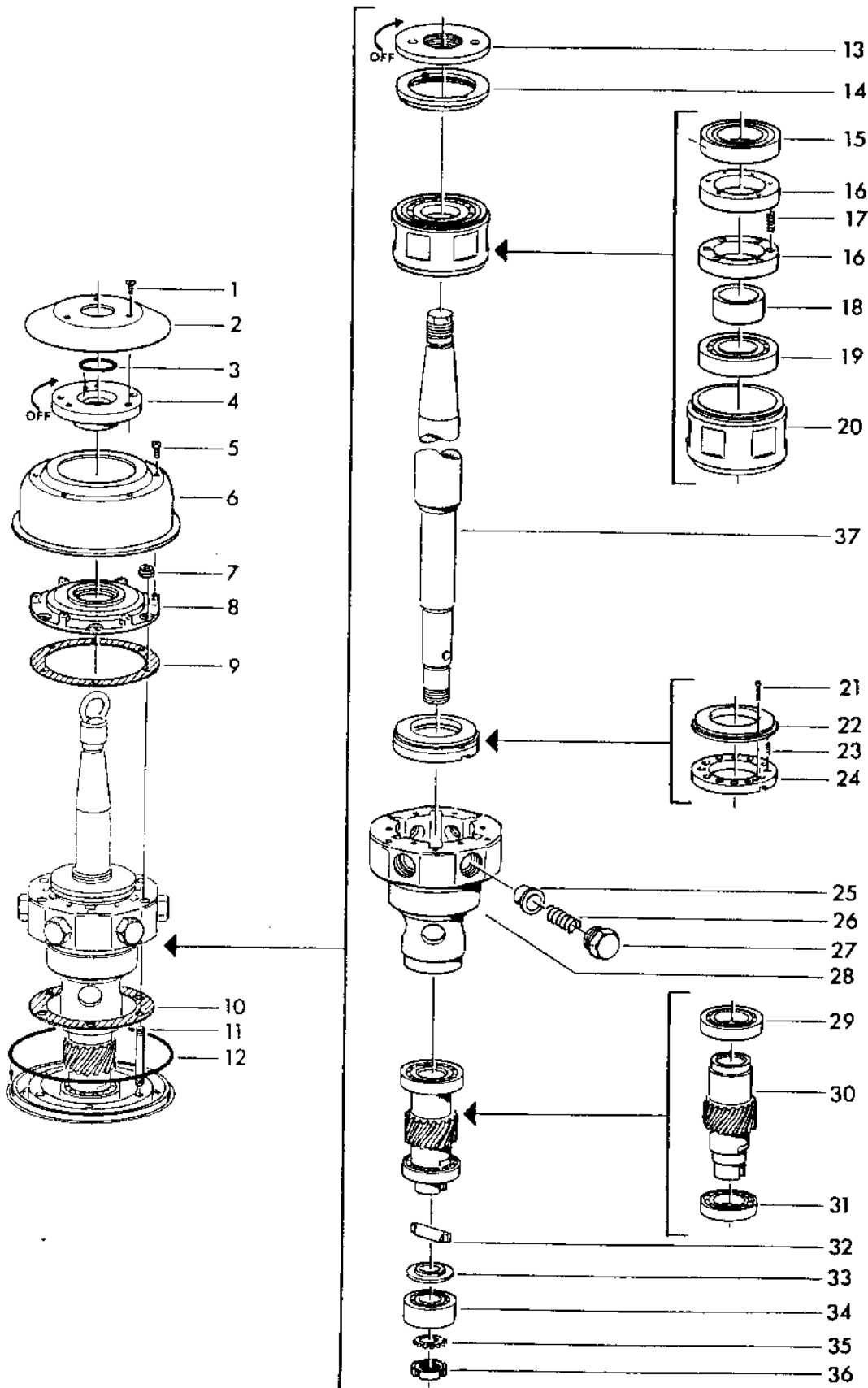
Ref.	Part No. Delnr.	Qty. Ant.	Part name	Benämning
1	223412-21		Seal ring	Tätningring
2	528098-01		Seal washer	Tätningbricka
3	73547		Lip seal ring	Tätningring
4	68827		Ball bearing (SKF 6211)*	Kullager (SKF 6211)*
5	528100-92		Worm wheel for 50 Hz motor	Skruvhjul för 50 Hz motor
	528100-93		Worm wheel for 60 Hz motor	Skruvhjul för 60 Hz motor
6	65170		Stop ring	Stoppring
7	64729		Pin	Sprint
8	6525		Ball bearing (SKF 6306)*	Kullager (SKF 6306)*
9	528172-02		Bearing shield	Lagersköld
10	37992		Lock washer (SKF MB6)	Låsbricka (SKF MB6)
11	67473		Round nut (SKF KM6)	Rundmutter (SKF KM6)
12	62094	4	Spring washer	Fjäderbricka
13	65231	4	Screw	Skruv
14	74636		Worm wheel shaft with coupling drum, round nut and lock washer	Skruvhjul saxel med med- bringarskiva, rundmutter och låsbricka
			*or equivalent bearing of other make.	* eller motsvarande kul- lager av annat fabrikat.



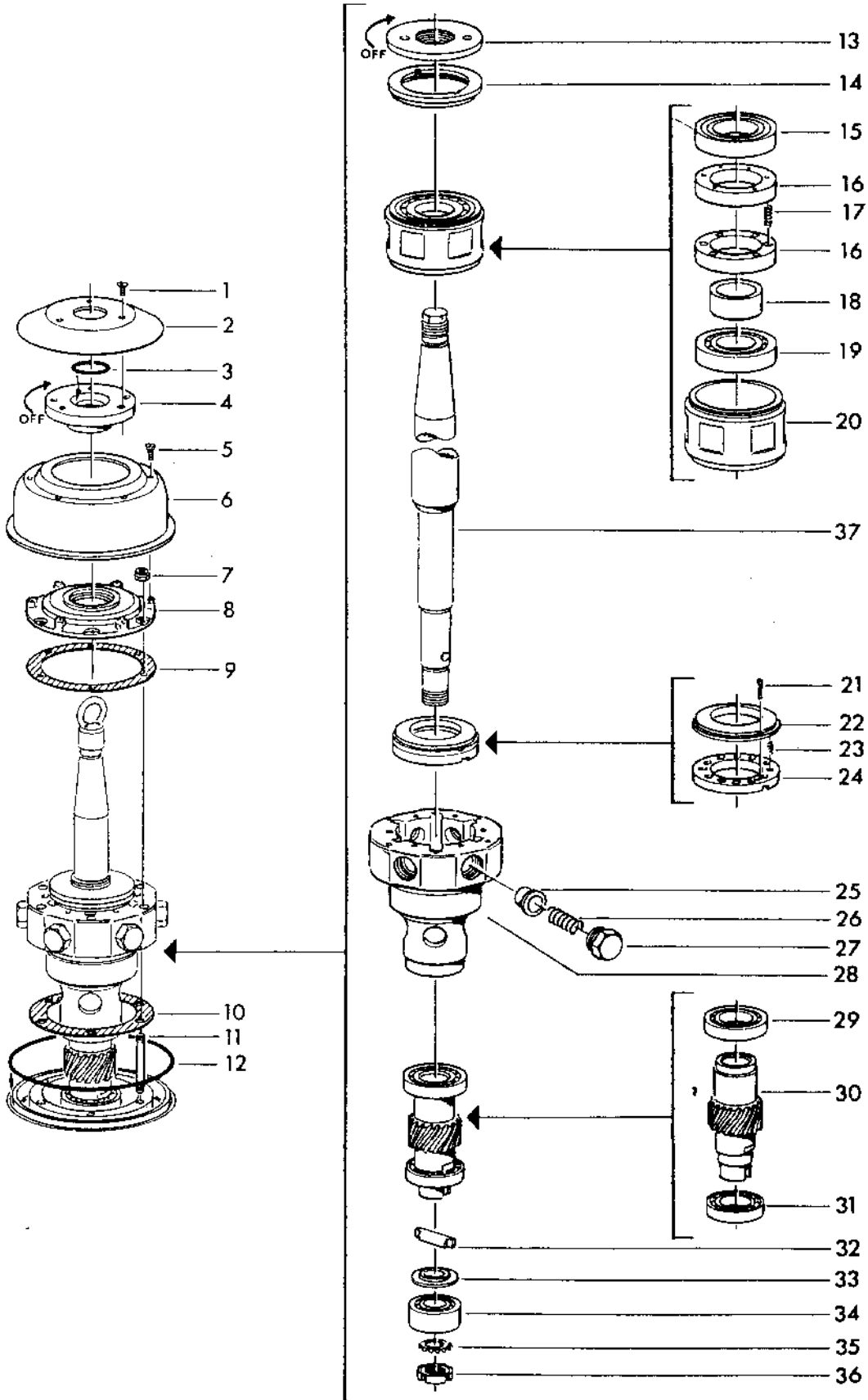
Hutchison-Hayes Separators, Inc.

This is a Spacer Page

P.O. Box 2965 ♦ Houston, Texas 77252
3520 East Belt ♦ Houston, Texas 77015
(713) 455-9600 ♦ Fax (713) 455-7753

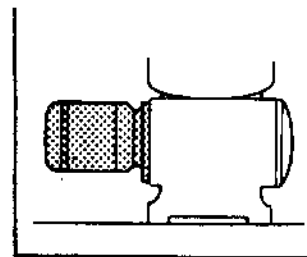
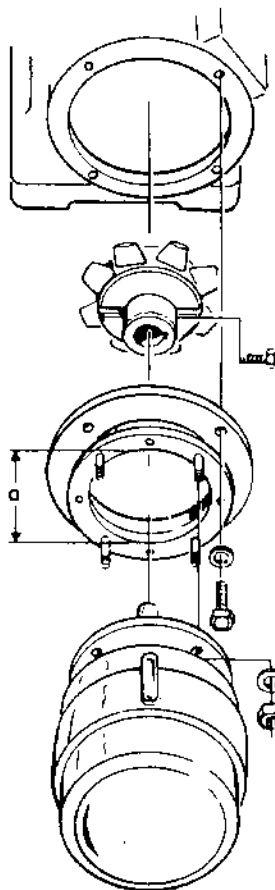


Ref.	Part No. DeInr.	Qty. Ant.	Part name	Benämning
1	74396	3	Screw	Skruv
2	74491	1	Top shield	Skyddsplåt
3	65201	1	Seal ring	Tätningring
4	70720	1	Throw-off collar (left-hand thread)	Skyddskrage (Vänstergänga)
5	2211724-23	6	Screw	Skruv
6	70830	1	Protecting cap	Skyddskåpa
7	70704	6	Nut	Mutter
8	75015	1	Cover	Lock
9	70345	1	Packing	Packning
10	65192	1	Packing	Packning
11	532348-01	6	Stud bolt	Pinnskruv
12	64104	1	Seal ring	Tätningring
13	70717	1	Oil deflector (left-hand thread)	Oljefläkt (Vänstergänga)
14	70716	1	Lock ring	Låsring
15	70715	1	Ball bearing (SKF 6214M/C3)*	Kullager (SKF 6214M/C3)*
16	70713	2	Spring support	Fjäderhållare
17	70714	6	Spring	Fjäder
18	70712	1	Spacing sleeve	Distanshylsa
19	69850	1	Angular contact ball bearing (SKF 7214BM)*	Vinkelkontaktkullager (SKF 7214BM)*
20	70711	1	Ball bearing housing	Kullagerhus
21	16435	2	Split pin	Saxpinne
22	70710	1	Wear ring	Slitring
23	70340	12	Spring	Fjäder
24	70709	1	Spring support	Fjäderhållare
25	70346	6	Buffer	Buffert
26	66191	6	Spring	Fjäder
27	70347	6	Plug	Propp
			* or equivalent bearing of other make.	* eller likvärdigt lager av annat fabrikat.



Ref.	Part No. Delnr.	Qty. Ant.	Part name	Benämning
28	73989	1	Spring casing	Fjäderhus
29	65186	1	Ball bearing (SKF 6015M)*	Kullager (SKF 6015M)*
30	69828 520320-08	1	Worm: for 50 Hz motor for 60 Hz motor	Snäcka: för 50 Hz motor för 60 Hz motor
31	65187	1	Ball bearing (SKF 6014M)*	Kullager (SKF 6014M)*
32	65190	1	Conveyor	Medbringare
33	73988	1	Intermediate washer	Mellanläggsbricka
34	69843	1	Ball bearing (SKF 2309M)*	Kullager (SKF 2309M)*
35	66076	1	Lock washer (SKF MB 9)	Låsbricka (SKF MB 9)
36	67476	1	Round nut (SKF KM 9)	Rundmutter (SKF KM 9)
37	74702	1	Spindle	Spindel
			* or equivalent bearing of other make.	* eller likvärdigt lager av annat fabrikat.

FLANGE MOTOR (drive "4")



Frame

Coupling pulley*
-- 533507-80Set screw
- 2210941-18

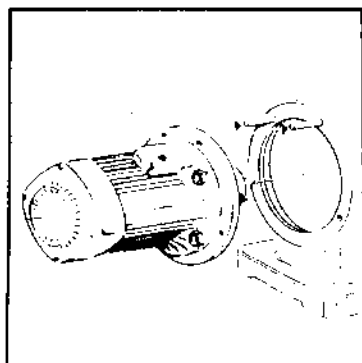
	a = 250 mm	a = 350 mm
Motor adapter	72670	67191
Stud bolt	70489 (4)	66765 (8)
Washer (8)	70492	70492
Screw (8)	65231	70494
Washer	70528 (4)	70490 (8)
Nut	2218043-4 (4)	2218043-4 (8)

Note that, as a rule, it is not necessary to loosen the motor and motor adapter from each other when mounting and dismounting.

Push the elastic plate on to the pins in the coupling pulley of the separator.

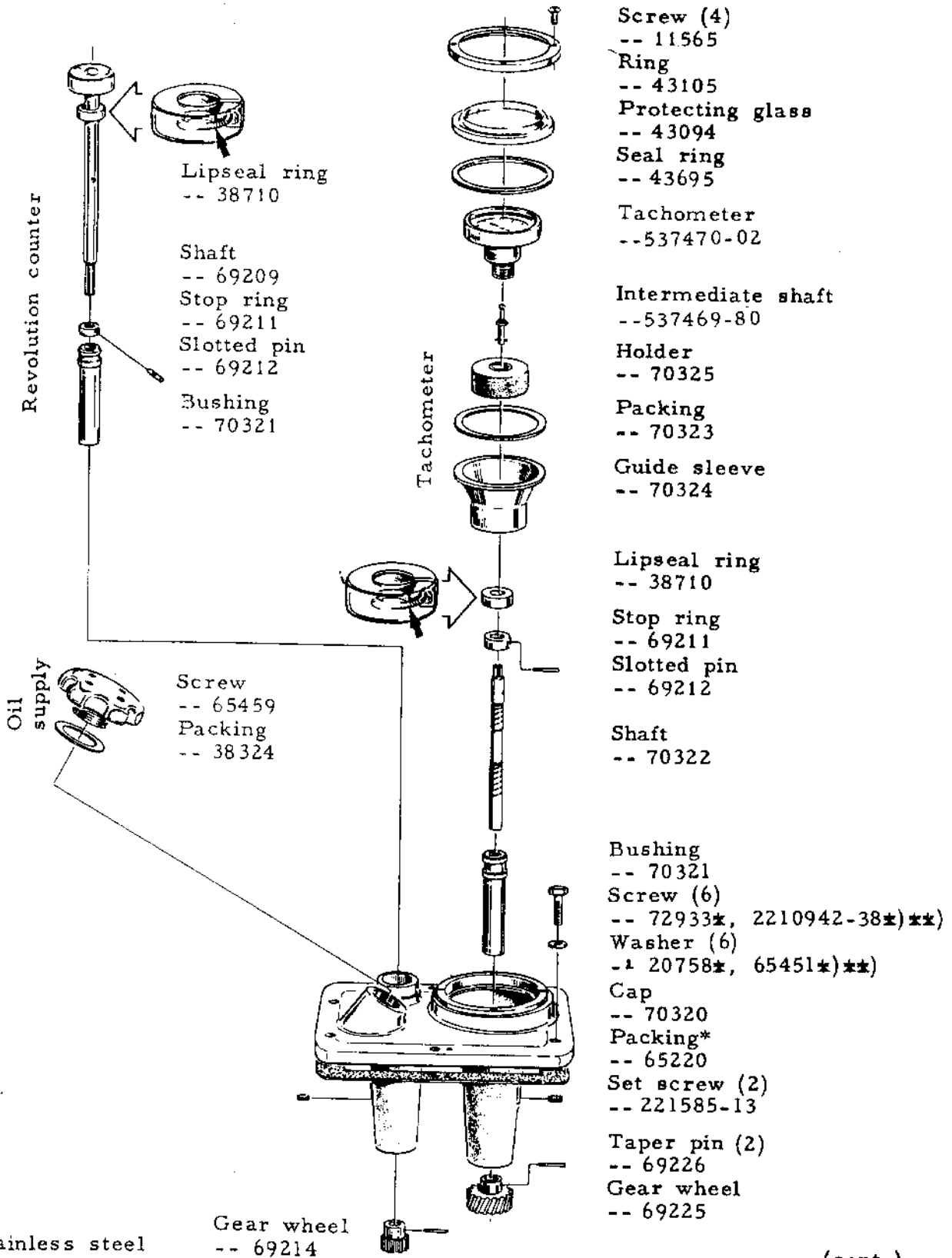
Screw the two guide bolts (see chapter F) into the two upper, opposed screw holes in the frame flange. Hang the motor (with adapter attached) on the guide bolts and push it into correct position, fitting the pins of the coupling pulley into the holes in the elastic plate. Fasten the motor and replace the guide bolts by screws. Tighten the screws alternately and check that the motor adapter enters the seat in the frame.

When dismounting note that the electric cable must not be disconnected in the terminal block.



* When ordering - follow the instruction given in chapter A.

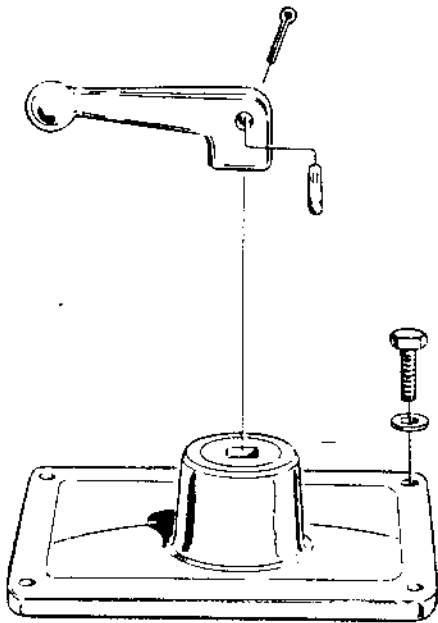
REVOLUTION COUNTER and TACHOMETER -- 519678-80 (*-marked parts are not included in the complete-unit number)



** stainless steel

(cont.)

BRAKE -- 67799 (*-marked parts are not included in the complete-unit No.)



- Split pin
-- 8199
- Handle
-- 533513-1
- Pivot
-- 39098
- Screw (4)*
-- 2210942-38
- Washer (4)*
-- 65451
- Cap
-- 67786

Spring
-- 39096

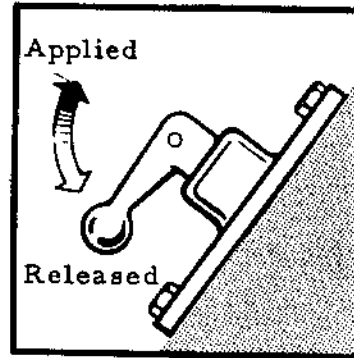
Spindle
-- 65461

Brake shoe, compl.
- 537602-80

Slotted pin
-- 67960

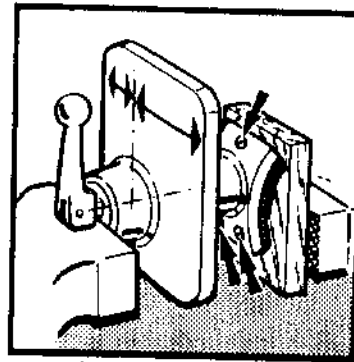
Lining
-- 65227

Screw (3)
-- 8341



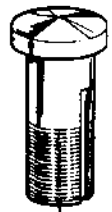
Exchange of lining
Release the brake and re-
move the cap. Exchange the
lining. Note that the screws
are slotted at both ends (use
an angle driver). Fasten the
cap to the machine with the
handle pointing downward.

Dismantling. Assem-
ling



Clamp the cap in a screw
vice, apply the brake, and
remove the handle. See that
cap, handle, and brake shoe
are turned as shown by the
arrows in the figure. Fasten
the cap to the machine with
the handle pointing downward.

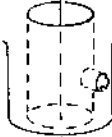
FLUSHING DEVICE for SLUDGE COVER



Nozzle
-- 520238-01



Packing
-- 39790



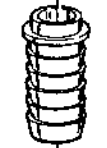
Nut
-- 71846



Packing
-- 68937



Hose nipple
-- 68936

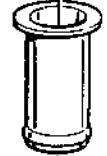


Coupling nut
-- 71343

VENT PIPE (2)



Packing
-- 74700



Pipe
-- 69626

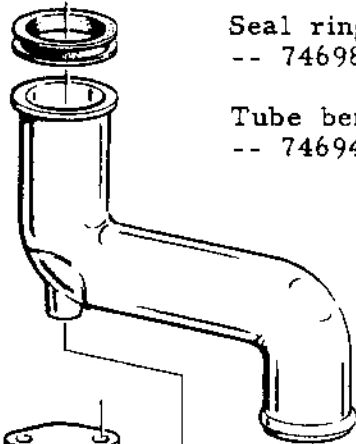


Flange
-- 74699



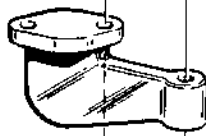
Washer (4)
-- 223101-34
Screw (4)
-- 2210942-38

SLUDGE OUTLET



Seal ring
-- 74698

Tube bend
-- 74694

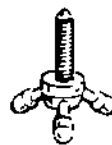


Bracket
-- 74693



Washer (2)
-- 68631

Screw (2)
-- 2210950-13



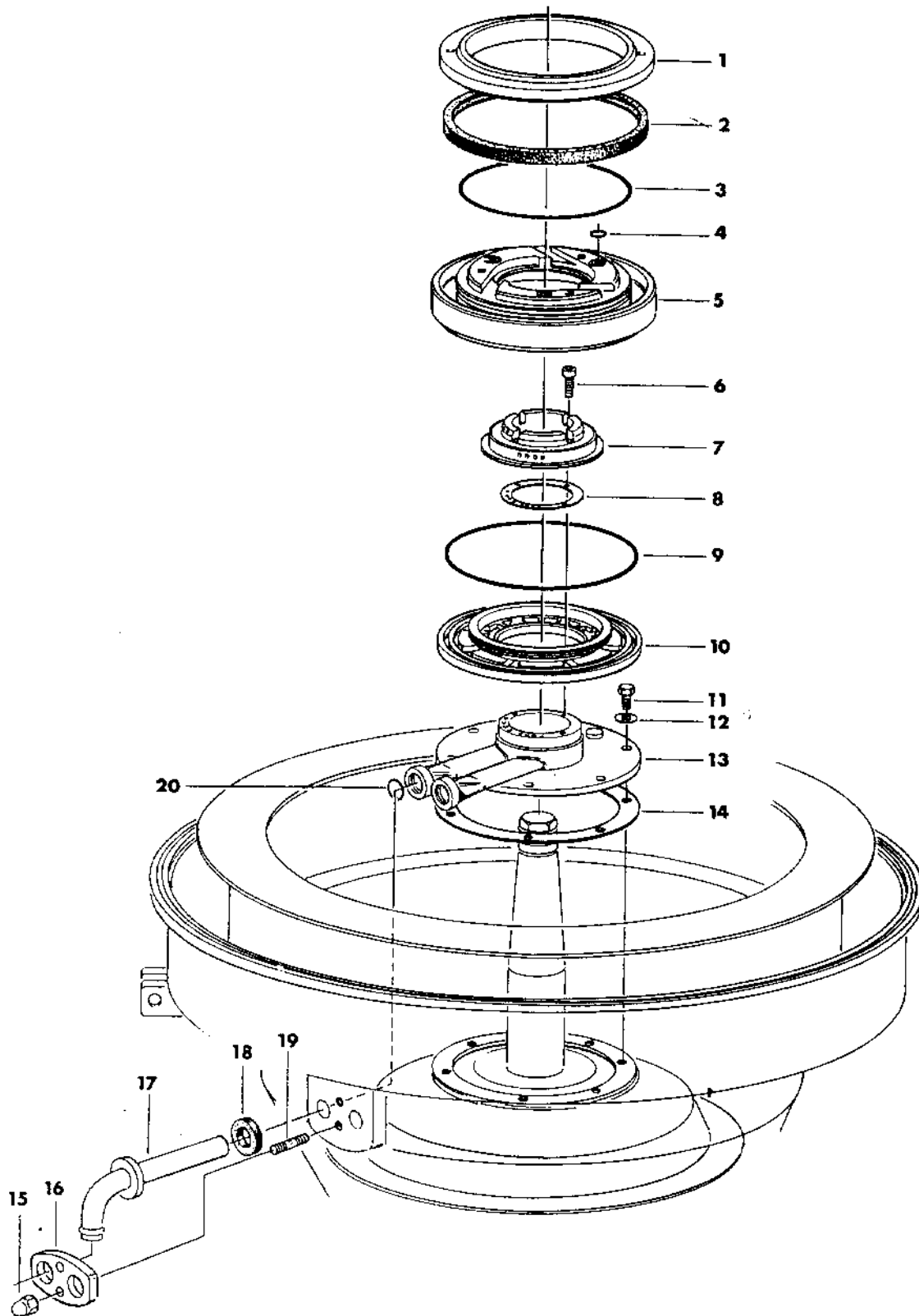
Clamp screw
-- 74475
(left-hand thread)

OIL DRAIN

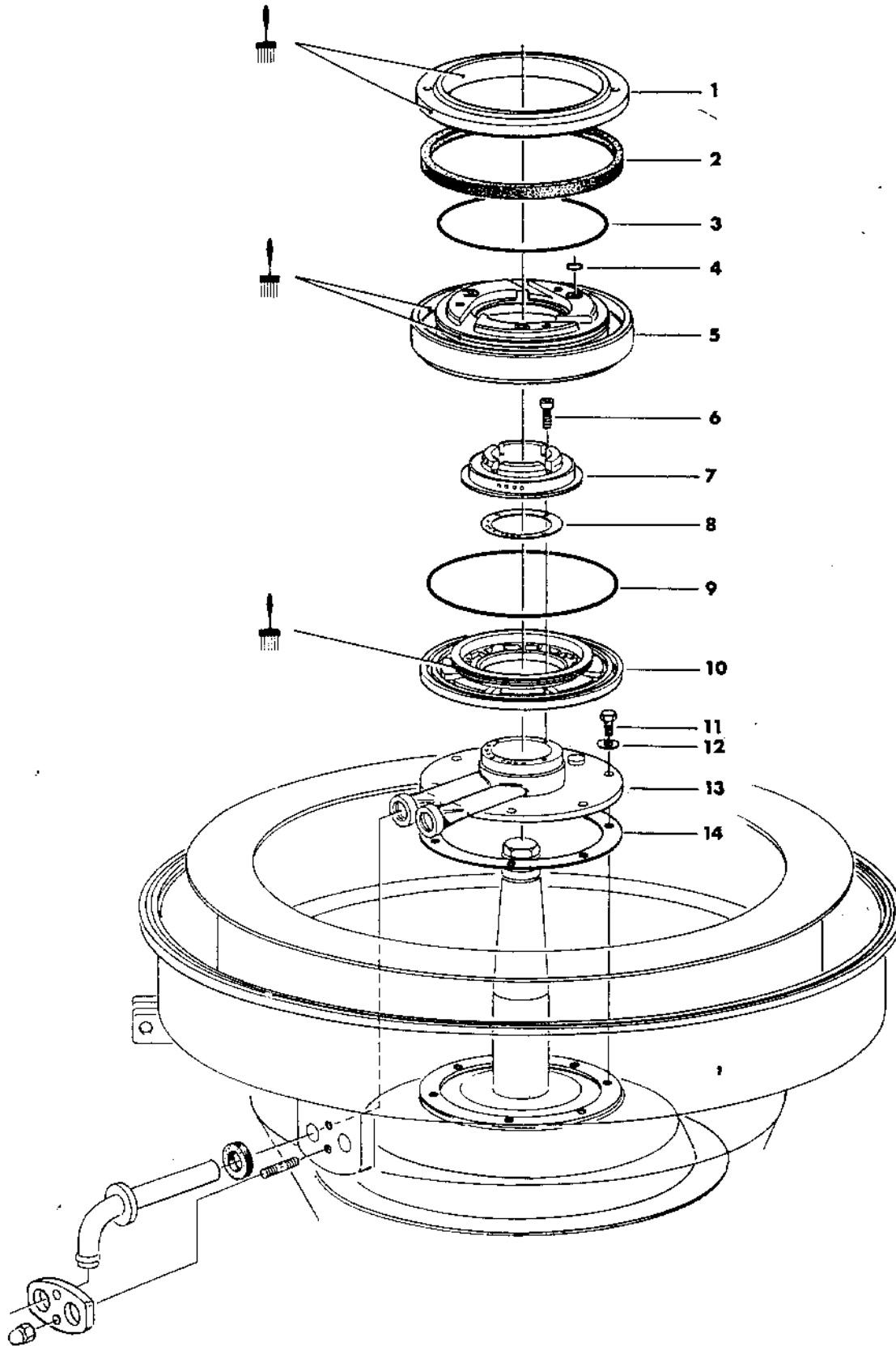


Packing
-- 35607

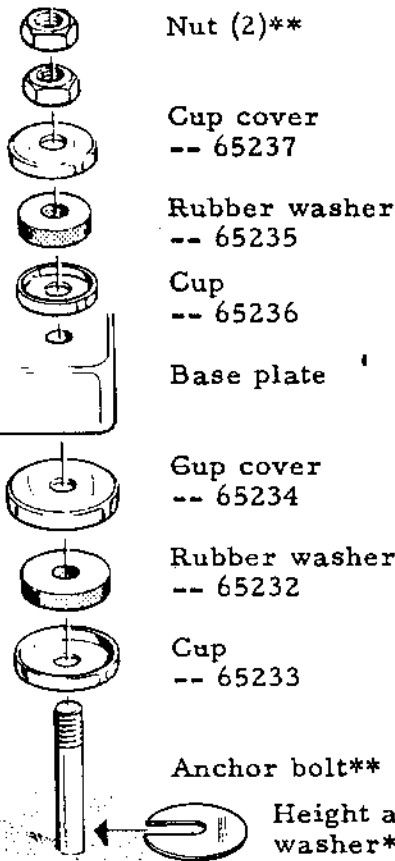
Screw
-- 62467



Ref.	Part No. Delnr.	Qty. Ant.	Part name	Benämning
1	536784-02	1	Piston	Kolv
2	535366-01	1	Seal ring	Tätningarring
3	223412-38	1	Seal ring	Tätningarring
4	223404-18	3	Seal ring	Tätningarring
5	536333-80	1	Distributing ring	Fördelningsring
6	221711-13	4	Screw	Skruv
7	536715-02	1	Control paring disc	Manöverskalskiva
8	536775-01	1	Packing	Packning
9	223412-15	1	Seal ring	Tätningarring
10	536334-02	1	Cover	Lock
11	2210942-36	6	Screw	Skruv
12	223101-34	6	Washer	Bricka
13	536331-80	1	Distributing cover	Fördelningslock
14	530208-01	5	Height adjusting ring	Höjdring
15	72947	2	Cap nut	Hattmutter
16	530185-01	1	Clamp washer	Klämbricka
17	536323-80	2	Inlet pipe	Inloppsrör
18	8401	2	Seal ring	Tätningarring
19	67912	2	Stud bolt	Pinnskruv
20	74067	1	Seal ring	Tätningarring



VIBRATION DAMPER (6)*



Nut (2)**

Cup cover
-- 65237

Rubber washer
-- 65235

Cup
-- 65236

Base plate

Cup cover
-- 65234

Rubber washer
-- 65232

Cup
-- 65233

Anchor bolt**

Height adjusting
washer**

* used with the foundation plate intended for collective mounting of machine and driving motor.

** not included

GAUGE GLASS



Packing
-- 38967



Oil level stabilizer
-- 61899



Packing
-- 38967



Glass disc
-- 38685



Packing
-- 37167

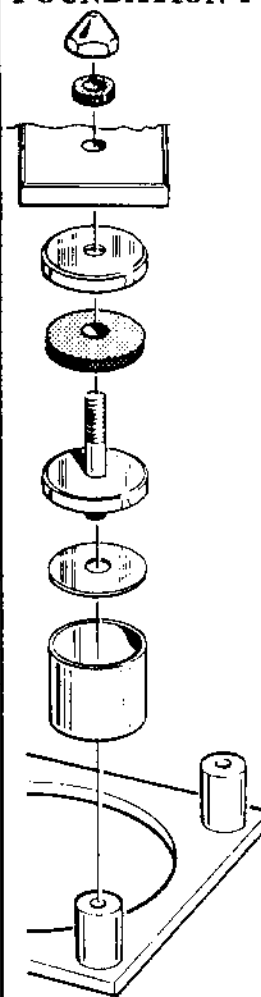


Washer
-- 65457



Screw (3)
-- 2211722-28

VIBRATION DAMPER (4) and FOUNDATION PLATE



Nut
-- 424257-1
Rubber washer
-- 65235

Machine foot

Cup cover
-- 520588-1

Rubber washer
-- 65232

Stud bolt
-- 2216321-04

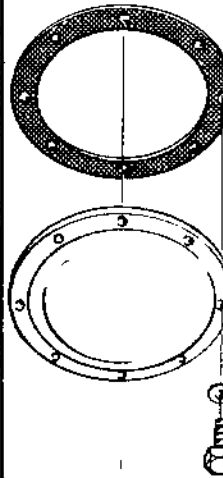
Cup cover
-- 520588-01

Height adjusting
washer
-- 71077

Spacing tube
-- 71074

Foundation plate for
embedment
-- 520585-80

FRAME CAP



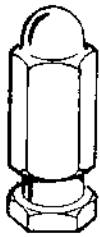
Packing
-- 37490

Cap
-- 38714

Washer (6)
-- 66381

Screw (6)
-- 65437

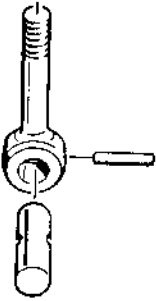
HINGED BOLT (12) for frame ring



Cap nut
-- 536737-01



Clamping shoe
-- 539758-01

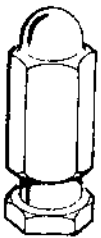


Hinged bolt
-- 225415-43

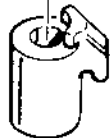
Pin
-- 73198

Hinge pin
-- 72449

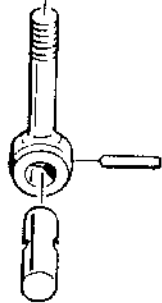
HINGED BOLT (4) for frame hood



Cap nut
-- 536704-02



Clamping shoe
-- 519679-04

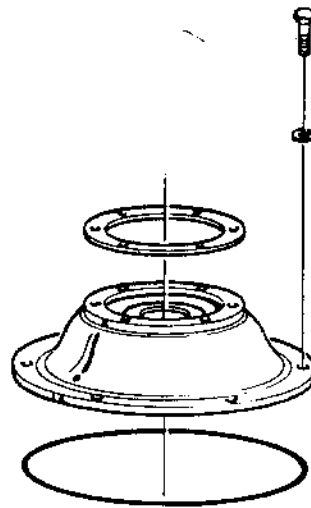


Hinged bolt
-- 225444-33

Pin
-- 67783

Hinge pin
-- 71456

HOOD for PARING DISC DEVICE



Screw
-- 2210942-36

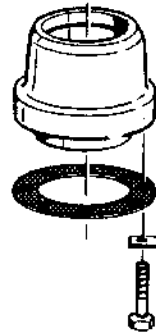
Spring washer
(6)
-- 223101-34

Height adjust-
ing ring (5)
-- 530208-01

Hood
-- 211687-01

Seal ring
-- 67566

BOTTOM BUSHING for BOWL SPINDLE

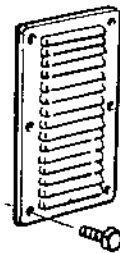


Bushing
-- 70318

Packing
-- 65211
Lock washer
(8) -- 63256

Screw (8)
-- 65193

GRATING - vent hole

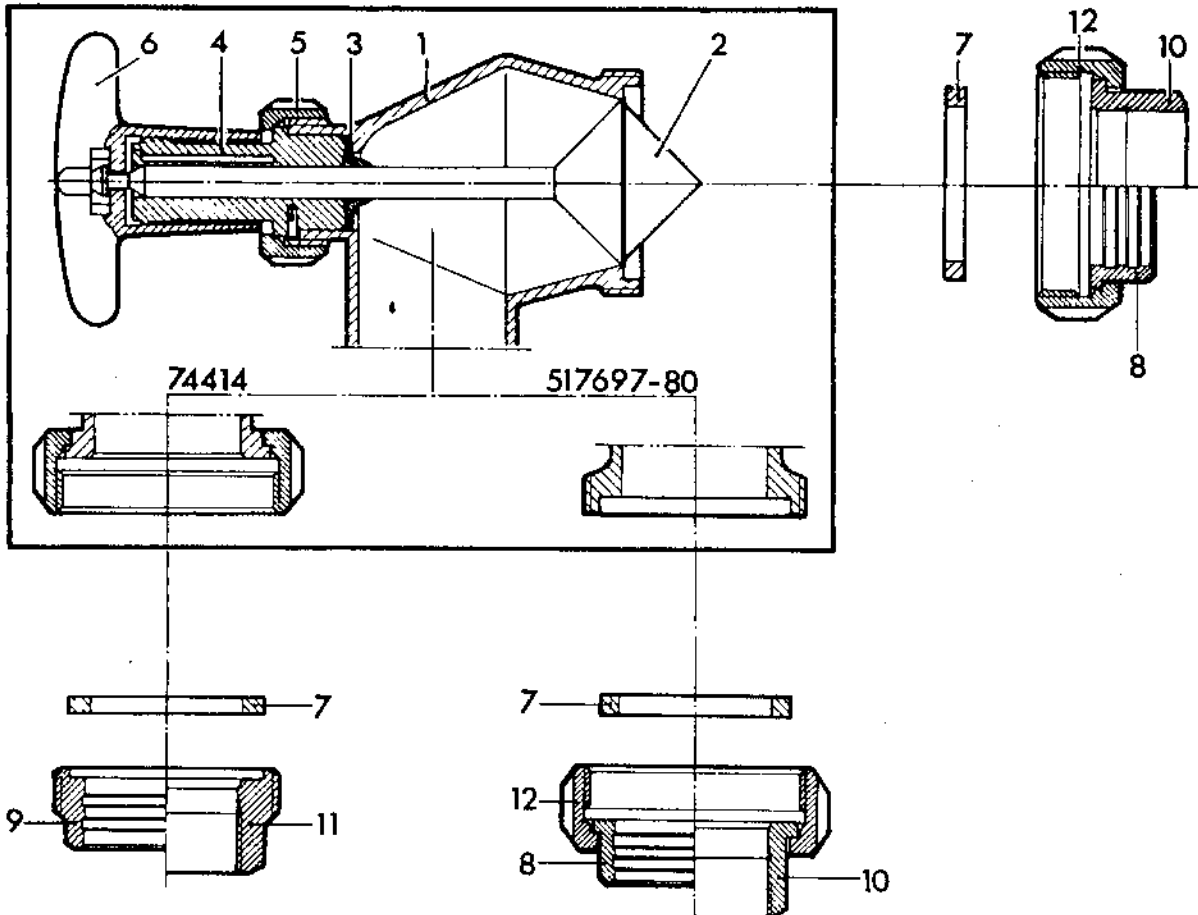


Grating
-- 65445

Screw (6)
-- 2211722-25

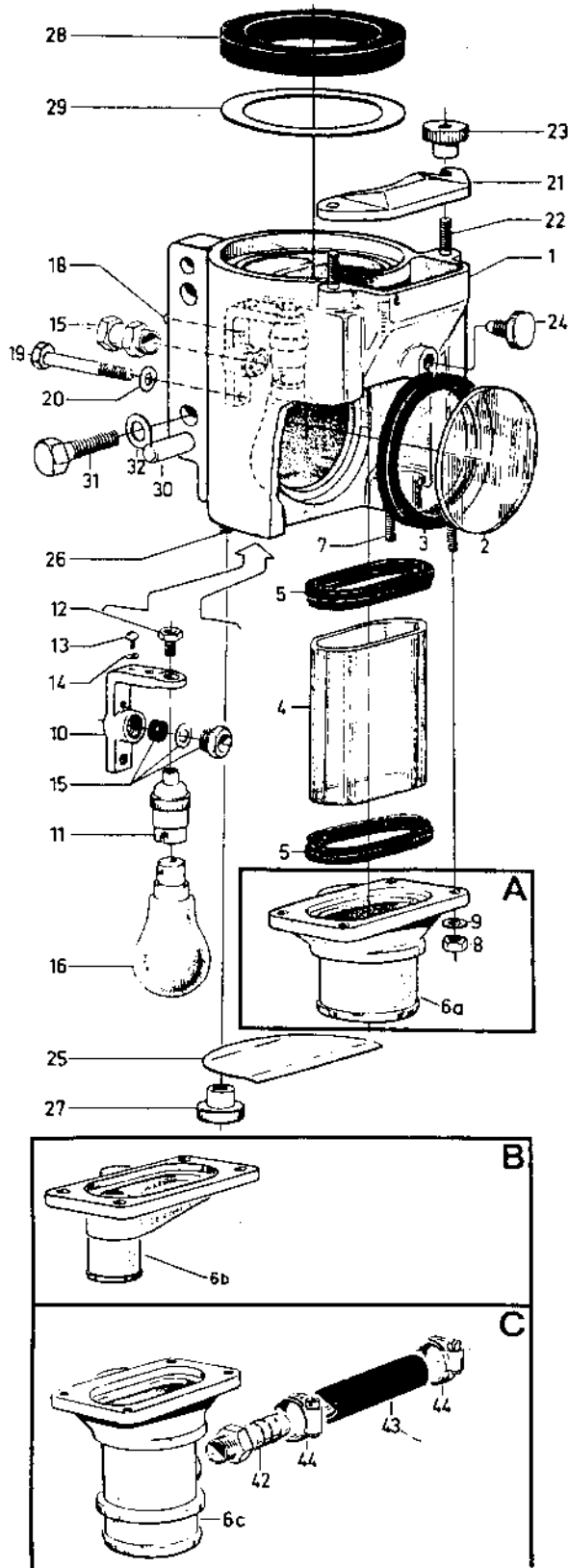
REGULATING VALVE without connecting parts
 REGLERINGSVENTIL utan kopplingsdelar

74414
 517697-80



Pos.	Part No. Detalj nr.	Description	Benämning	Qty. Ant.
1.		Valve housing	Ventilhus	
2.	74421	Valve cone	Ventilkägla	
3.	74494	Packing collar	Tätningmanschett	
4.	74425	Valve bushing	Ventilbussning	
5.	190613	Coupling nut	Kopplingsmutter	
6.	518469-03	Hand wheel	Vred	
		Connecting parts	Anslutningsdelar	
7.	71068	Packing	Packning	2
8.	190630	Sleeve (even pipes) 51 mm, 2"	Hylsa (släta rör) 51 mm, 2"	
9.	190644	Nipple (even pipes) 51 mm, 2"	Nippel (släta rör) 51 mm, 2"	
10.	72234	Sleeve (threaded pipes) R 1 1/2"	Hylsa (gängade rör) R 1 1/2"	
11.	72226	Nipple (threaded pipes) R 1 1/2"	Nippel (gängade rör) R 1 1/2"	
12.	190616	Coupling nut	Kopplingsmutter	
		Spare part	Reservdel	
3.	74494	Packing collar	Tätningmanschett	

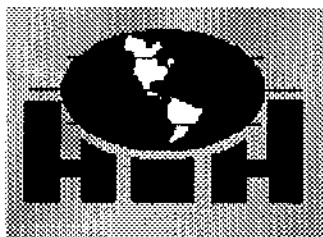
SIGHT GLASS BOX with OUTLET FLANGE: A - 74458, B - 517898-80, C - 74630



TO BE EARTHED

- 1 Sight glass box - 74459
- 2 Sight glass - 68075
- 3 Seal ring - 68076
- 4 Glass tube - 74462
- 5 Seal ring (2) - 65247
- 6a Outlet flange - 74463
- 6b Outlet flange - 517895-2
- 6c Outlet flange - 74629
- 7 Stud bolt (4) - 71143
- 8 Nut (4) - 40036
- 9 Washer (4) - 20758
- 10 Holder - 74464
- 11 Lamp socket - 65252
- 12 Screw - 74465
- 13 Grounding screw - 24846
- 14 Washer (2) - 25357
- 15 Cable fitting - 980081-80
- 16 Lamp 25W, 140 V -- 63264
250 V -- 62678
- 18 Slotted pin - 66168
- 19 Screw - 74472
- 20 Washer - 20758
- 21 Cover - 74468
- 22 Stud bolt (2) - 70485
- 23 Hand wheel (2) - 71349
- 24 Vent screw - 69630
- 25 Cover - 74469
- 26 Stud bolt - 70485
- 27 Hand wheel - 71349
- 28 Seal ring - 71162
- 29 Height adjusting ring (1-4) - 69584
- 30 Guide pin - 67429
- 31 Screw (2) - 2210950-32
- 32 Washer (2) - 223101-37
- 42 Hose nipple - 68956
- 43 Hose - 68951
- 44 Hose clamp - 69167

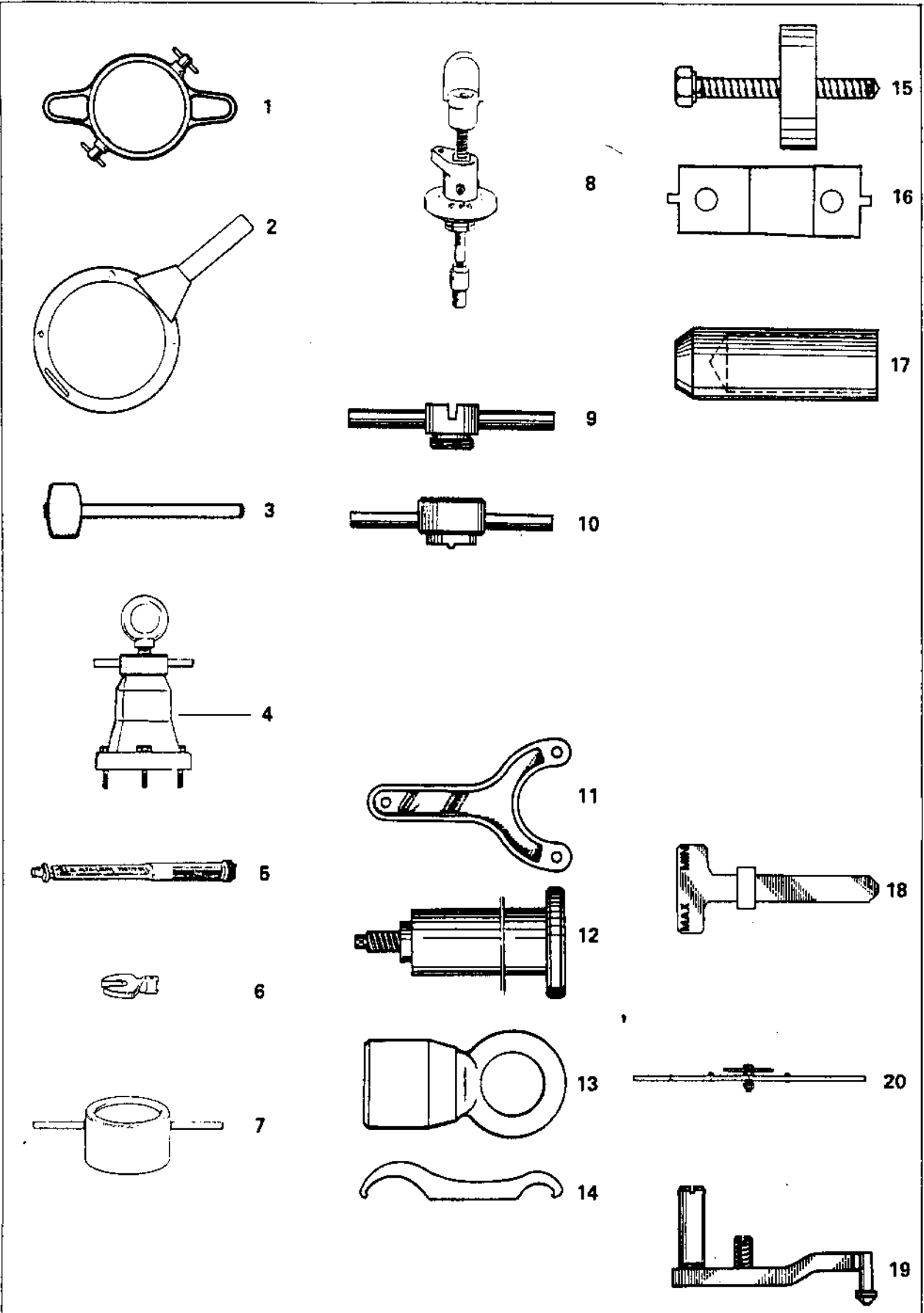
- Spare parts
- 2 Sight glass - 68075
 - 3 Seal ring - 68076
 - 4 Glass tube - 74462
 - 5 Seal ring (2) - 65247



Hutchison-Hayes Separators, Inc.

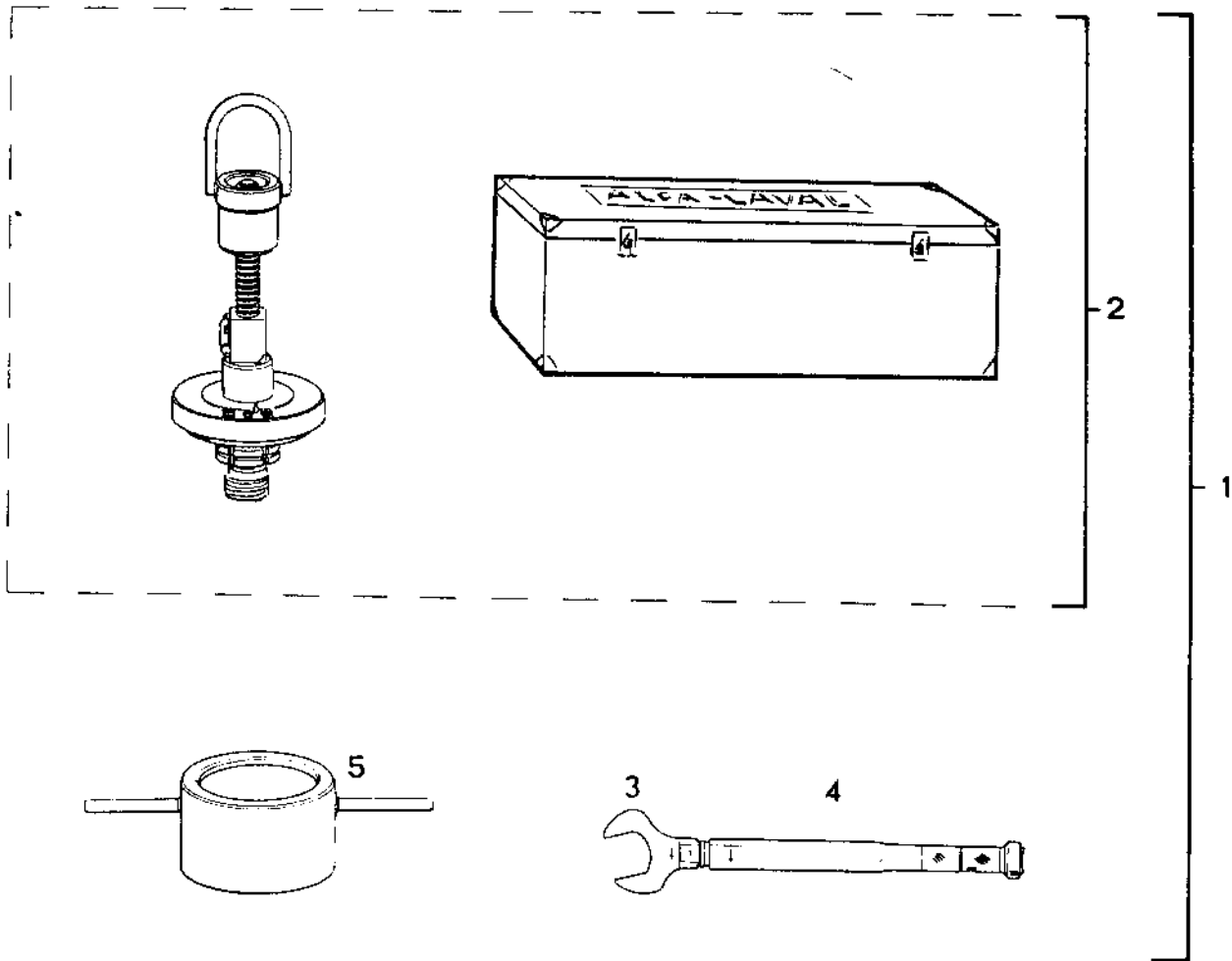
This is a Spacer Page

P.O. Box 2965 ♦ Houston, Texas 77252
3520 East Belt ♦ Houston, Texas 77015
(713) 455-9600 ♦ Fax (713) 455-7753



Ref.	Part No. Delnr.	Qty. Ant.	Part name	Benämning
			TOOLS for BOWL	VERKTYG för KULA
1	65368	1	Spanner for small lock ring	Nyckel för låsring mindre
2	74783	1	Spanner for large lock ring	Nyckel för låsring större
3	64324	1	Tin mallet	Tennhammare
4	532265-82	1	Lifting tool for bowl body	Lyftverktyg för kulkropp
6	536803-80	1	Pressing and lifting tool for distributor with disc set and for bowl hood (see also special page)	Press och lyftverktyg för fördelare med plåtsats och för kulhuv (se även särskild sida)
7	516771-80	1	Spanner for cap nut. Lifting tool for distributing cone	Nyckel för kapselmutter. Lyftverktyg för fördelningskona
8	74780	1	Lifting tool for sliding bowl bottom	Lyftverktyg för sliddallrik
6	540258-86	1	Compressing and lifting tool, see book No S95132	Press- och lyftverktyg, se bok nr S95132.
			TOOLS for BOWL SPINDLE	VERKTYG för KULSPINDEL
14	65380	1	Pin spanner	Tappnyckel
15	528514-80	1	Puller for ball bearing housing	Avdragare för kullagerhus
16	70844	1	Lifting eye for bowl spindle	Lyftögla för kulspindel
17	69696	1	Hook spanner for round nuts	Haknyckel för rundmuttrar
			TOOLS for COUPLING and WORM WHEEL SHAFT	VERKTYG för KOPPLING och SKRUVHJULSAXEL
19	523249-80	1	Puller for nave	Avdragare för nav
20	72719	1	Pin spanner for round nuts	Tappnyckel för rundmuttrar
22	65374	1	Driving-on sleeve for ball bearings of nave	Pådrivningshylsa för navets kullager
			GENERAL TOOLS	ALLMÄNNA VERKTYG
27	317646-80	1	Templet for height adj.	Mall för höjdställning
31	65382	1	Lining-up tool for motor	Uppriktningsverktyg för motor

Ref.	Part No. Delnr.	Qty. Ant.	Part name	Benämning
1	221891-19	1	Lock nut	Låsmutter
2	223101-55	1	Washer	Bricka
3	226314-27	14	Cup spring	Tallriksfjäder
4	530035-80	1	Yoke	Bygel
5	536843-80	1	Spindle with ball nut and thrust washer	Spindel med kulmutter och tryckbricka
6	535731-01	1	Seal ring	Tätningarring
7a	260189-01	2	Bearing	Lager
7b	260189-02	4	Washer	Bricka
8	535726-01	1	Thrust washer	Tryckbricka
9	535724-01	1	Washer	Bricka
10	223406-66	1	Seal ring	Tätningarring
11	530028-01	2	Round nut	Rundmutter
12	221581-12	1	Grub screw	Stoppskruv
13	226211-02	1	Spring	Fjäder
14	64416	1	Cylindrical pin	Cylindrisk pinne
15	221230-10	2	Screw	Skruv
16	530033-01	1	Lock plate	Låsbricka
17	536791-01	1	Roller	Rulle



Ref.	Part No. Delnr.	Qty. Ant.	Part name	Benämning
1	536803-80		Pressing and lifting tool, complete	Press- och lyftverktyg komplett
2	536803-81		Pressing and lifting tool with box	Press- och lyftverktyg med låda
3	538777-01	1	Wrench head	Ändstycke
4	538779-80	1	Dynamometric wrench	Momentnyckel
5	536847-02	1	Lifting tool for bowl hood	Lyftverktyg för kulhuv

SET OF SPARE PARTS

The set of spares listed below includes only parts belonging to the standard equipment of the machine. Make it a rule always to keep consuming articles in stock. Avoid incorrect dispatch - observe the ordering routine described in chapter A.

The figure in brackets indicates the quantity (if more than 1).

INLET. OUTLET (comp. chapter I)

73484 Membrane for pressure gauge
2234121-18 Seal ring for inlet pipe
516281-14 Packing for paring disc

BOWL SPINDLE (comp. chapter P)

BOWL (comp. chapter I)

536553-01 Liner for sliding bowl bottom
515133-04 Nozzle for dosing ring (2)
68899 Valve plug (3)

Seal rings:

74722 large for sliding bowl bottom (2)

74355 for dosing ring, bowl hood (4)

525643-02 for operating slide (2)

223412-43 for liner and fixing ring (4)

223406-98 for gravity disc

223412-31 for paring chamber, bottom part (4)

223412-88 for paring chamber, top part (2)

74356 small, for sliding bowl bottom (2)

74736 for bowl hood

70340 for axial buffer (12)
66191 for top bearing (6)

Seal rings:

65201 for throw-off collar
64104 for protecting cap

FRAME PARTS (comp. chapter S)

65227 Brake lining incl. 3 screws No. 8341

518859-82 Touch-up paint (tin 1/8 l)

537086-01 Molybdenum disulfide paste

Seal rings:

38710 for tachometer shaft
67811 for frame ring

74698 for outlet bend
67566 for hood (paring disc device)

67411 for frame hood

PARING DISC DEVICE FOR OPERATING LIQUID

Seal rings:

8401 for inlet pipe (2)

74067 for inlet pipe (2)

223412-38 for distributing ring (2)

223404-18 for distributing ring (3)

223412-15 for cover

535366-01 for piston

536775-01 Packing for control paring disc

CLUTCH COUPLING and WORM WHEEL

SHAFT (comp. chapter P)

70208 Friction pad (4) incl. 16 screws No. 8341

223412-21 Seal ring, for seal washer

73547 Lip seal ring for worm wheel shaft