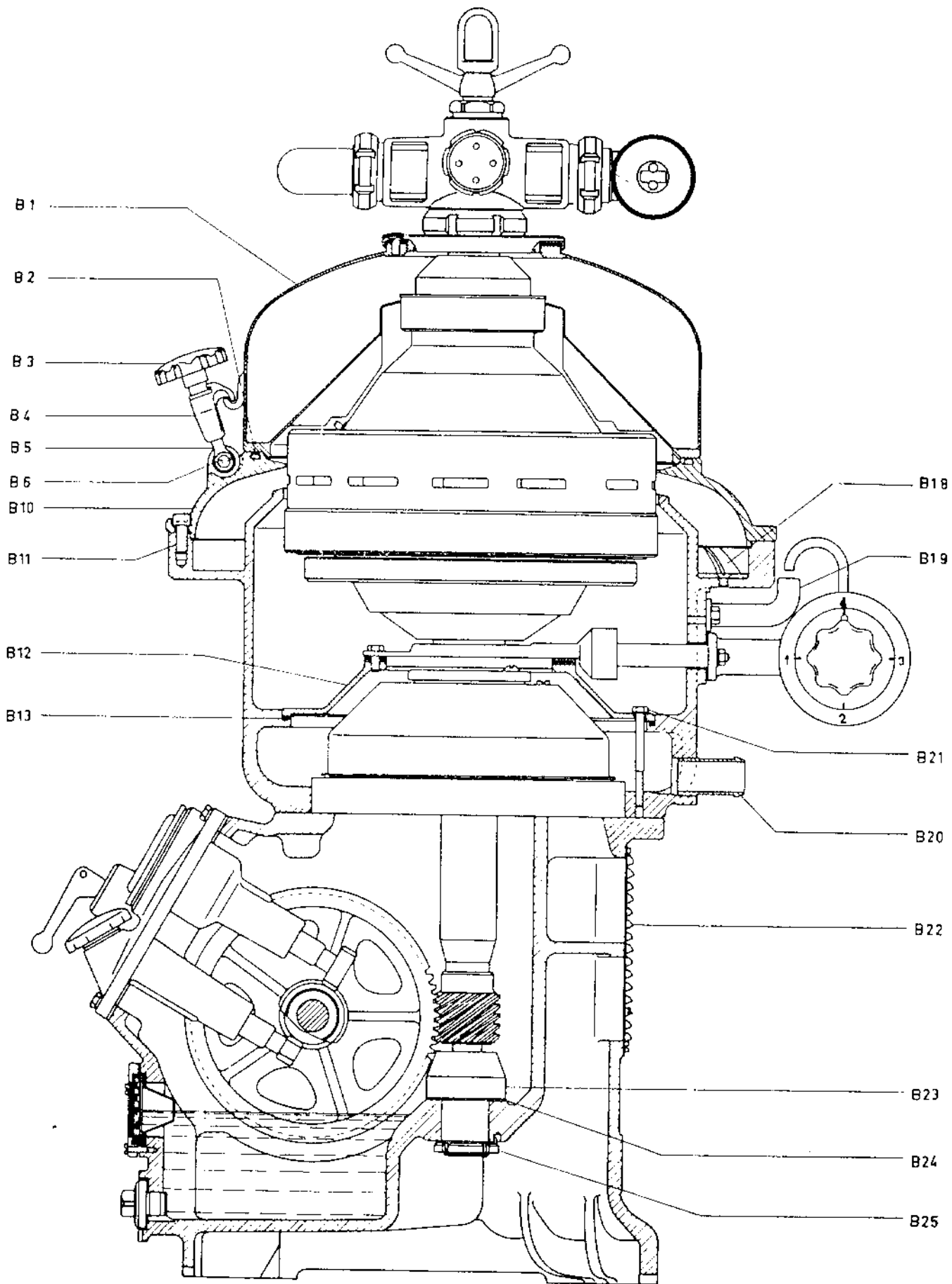


## **Hutchison-Hayes Separators, Inc.**

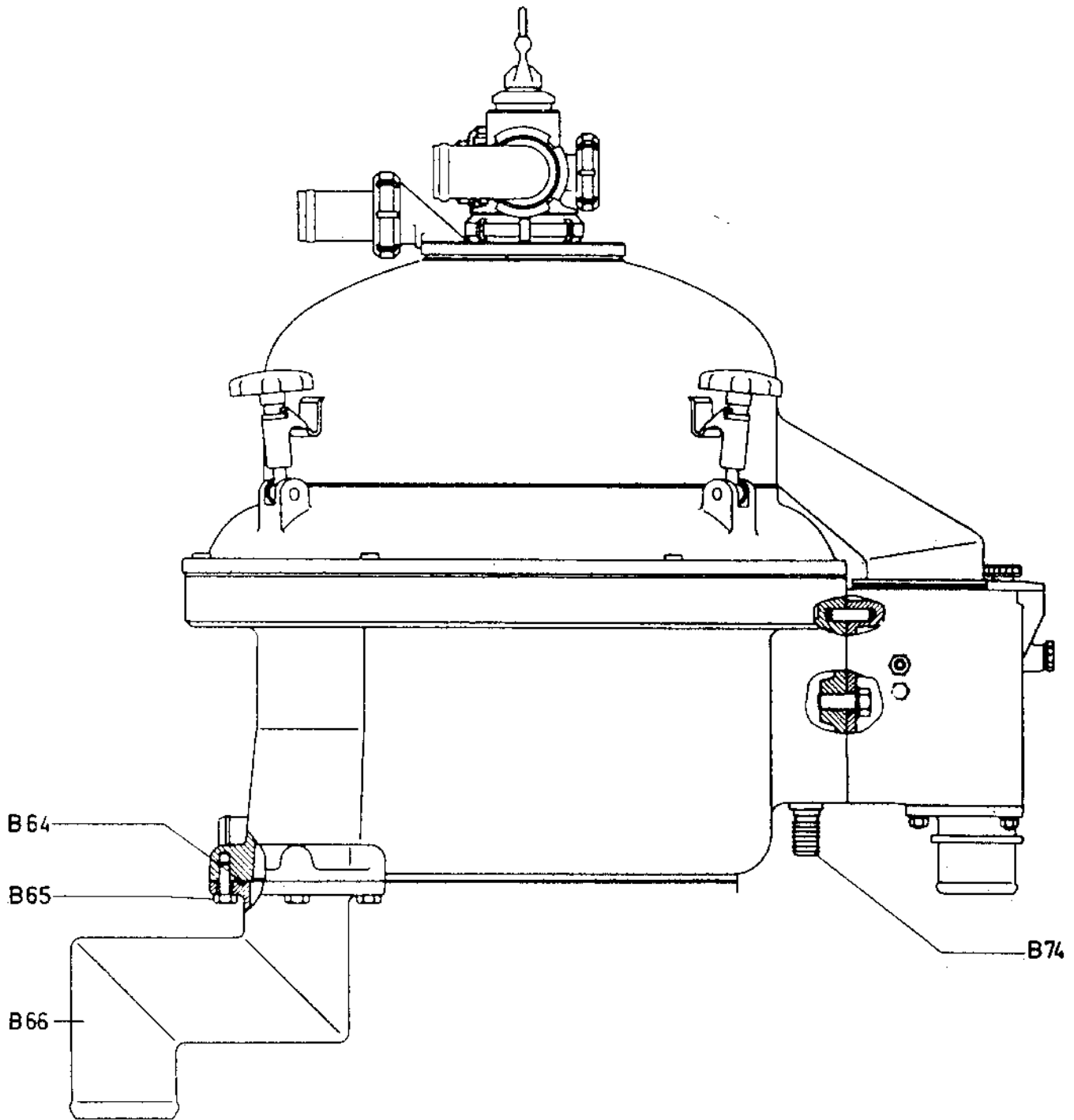
### **Model AFPX 207-10S Parts List With Diagrams**

**P.O. Box 2965 ♦ Houston, Texas 77252**  
**3520 East Belt ♦ Houston, Texas 77015**  
**(713) 455-9600 ♦ Fax (713) 455-7753**



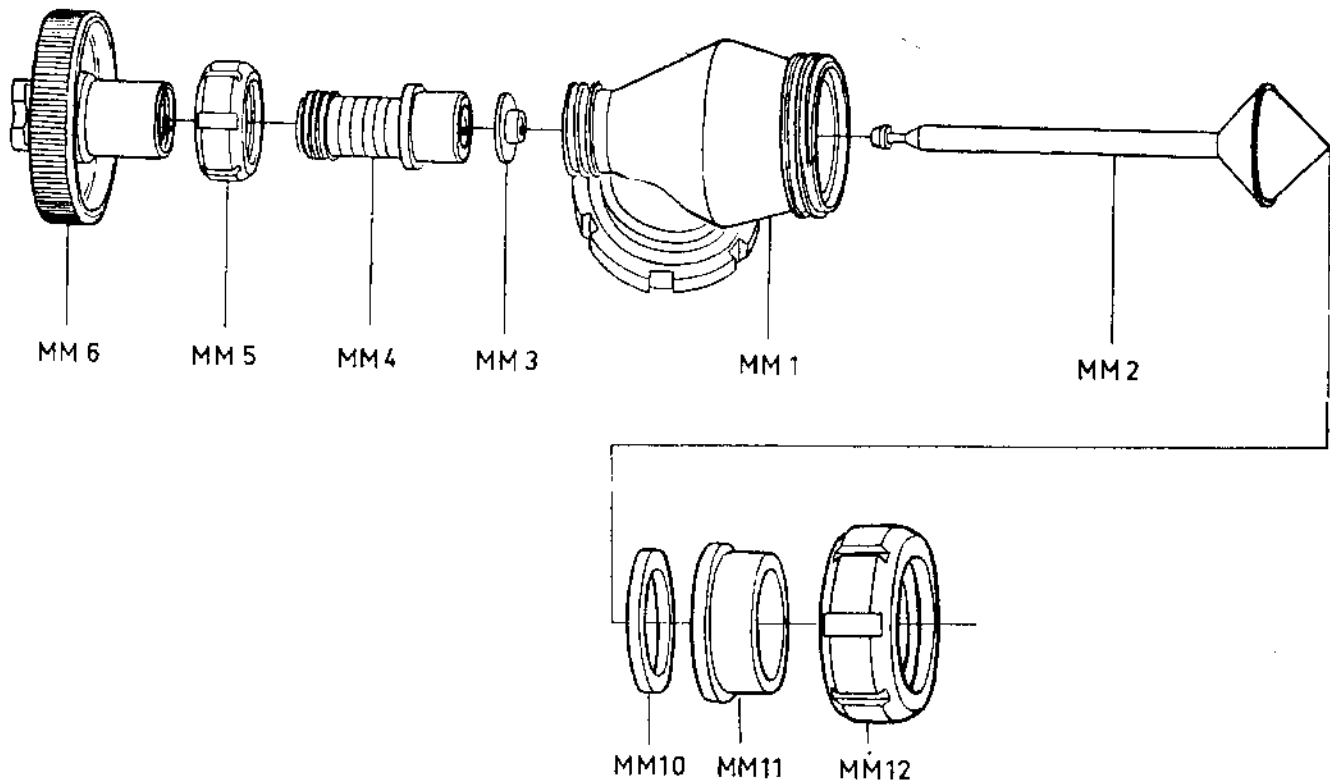
**SEPARATOR FRAME, FRAME HOOD  
REPLACEMENT PARTS**

<u>ITEM NO.</u>	<u>HHII NO.</u>	<u>ALFA NO.</u>	<u>DESCRIPTION</u>	<u>QTY.</u>
B1	40001	74549	FRAME HOOD . . . . .	1
B2	6625	71402	RUBBER RING, FRAME HOOD . . . . .	1
B3	7004	67885	HAND WHEEL . . . . .	4
B4	7005	70279	CLAMPING SHOE . . . . .	4
B5	7654	68121	HINGED BOLT, FRAME HOOD . . . . .	4
B6	7085	67789	HINGE PIN, HINGED BOLT . . . . .	4
	7007	67783	CROSS PIN, HINGE PIN . . . . .	4
B10	40002	74477	FRAME RING . . . . .	1
B33	40003	70526	SCREW, FRAME RING . . . . .	6
B12	6623	71384	HOOD, TOP BEARING . . . . .	1
B13	6624	71401	RUBBER RING, HOOD . . . . .	1
B18	40004	318562-A	SLUDGE DEFLECTOR . . . . .	1
	40005	41379	SCREW, SLUDGE DEFLECTOR . . . . .	2
	8968	33477	PACKING, SLUDGE DEFLECTOR . . . . .	1
	40006	73275	NUT, SLUDGE DEFLECTOR . . . . .	1
	40007	2521705-01	COVER NUT, SLUDGE DEFLECTOR . . . . .	1
B19	40008	71419	ELBOW . . . . .	1
	40009	66379	SCREW, ELBOW . . . . .	2
B20	40010	71382	DRAIN TUBE, BOWL CASING IN FRAME . . . . .	1
B21	6622	41271	SCREW, TOP BEARING HOOD . . . . .	6
	7146	22405	WASHER, SCREW . . . . .	6
B22	7029	65445	GRATING, VENT HOLE . . . . .	1
	7030	11677	SCREW, GRATING . . . . .	6
B23	6619	70202	BOTTOM BEARING HOUSING . . . . .	1
B24	40011	70203	PACKING . . . . .	1
B25	40012	38722	ROUND NUT WITH LOCK WASHER . . . . .	1
	6620	38723	LOCK WASHER FOR ROUND NUT . . . . .	1



**SEPARATOR FRAME  
REPLACEMENT PARTS**

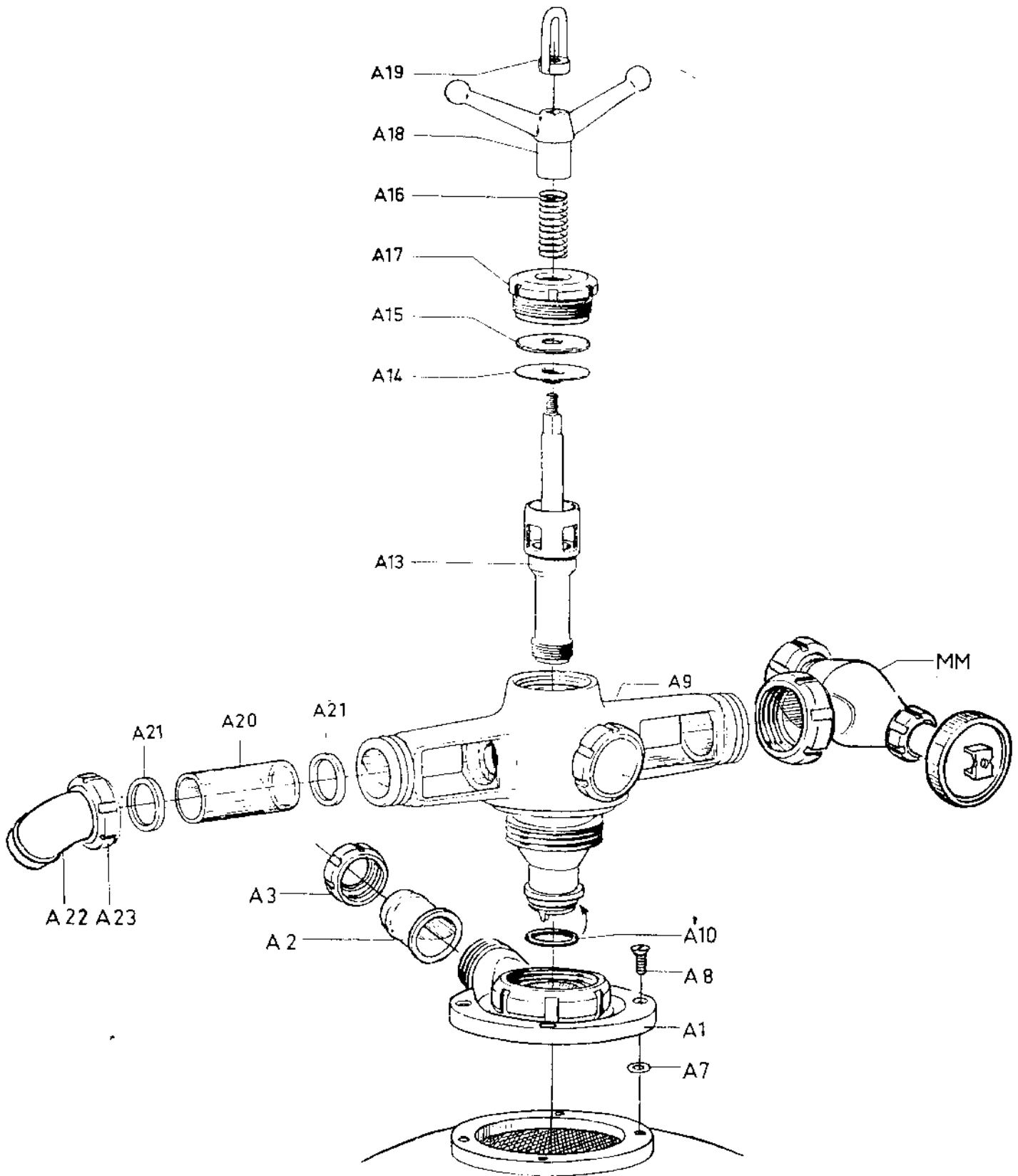
ITEM NO.	HHII NO.	ALFA NO.	DESCRIPTION	QTY.
B64	7414	70943	RUBBER RING - DISCHARGE BEND . . . . .	1
B65	8802	65436	SCREW - DISCHARGE BEND . . . . .	4
B66	40013	71423	SLUDGE DISCHARGE BEND . . . . .	1
B74	8788	68956	HOSE NIPPLE . . . . .	1



**CONTROL VALVE  
REPLACEMENT PARTS**

ITEM NO.	HHII NO.	ALFA NO.	DESCRIPTION	QTY.
MM1-6	40094	74414	REGULATING VALVE, COMPLETE . . . . .	1
MM1	7871	74370	VALVE HOUSING, COMPLETE . . . . .	1
MM2	7691	74421	VALVE CONE, COMPLETE . . . . .	1
MM3	7698	74494	PACKING COLLAR . . . . .	1
MM4	7693	74425	VALVE BUSHING . . . . .	1
MM5	7694	190620	COUPLING NUT . . . . .	1
MM6	40114	74426	HAND WHEEL . . . . .	1
MM10	7093	71068	PACKING . . . . .	2
MM11	7428	190630	SLEEVE . . . . .	1
MM12	8409	190623	COUPLING NUT . . . . .	1

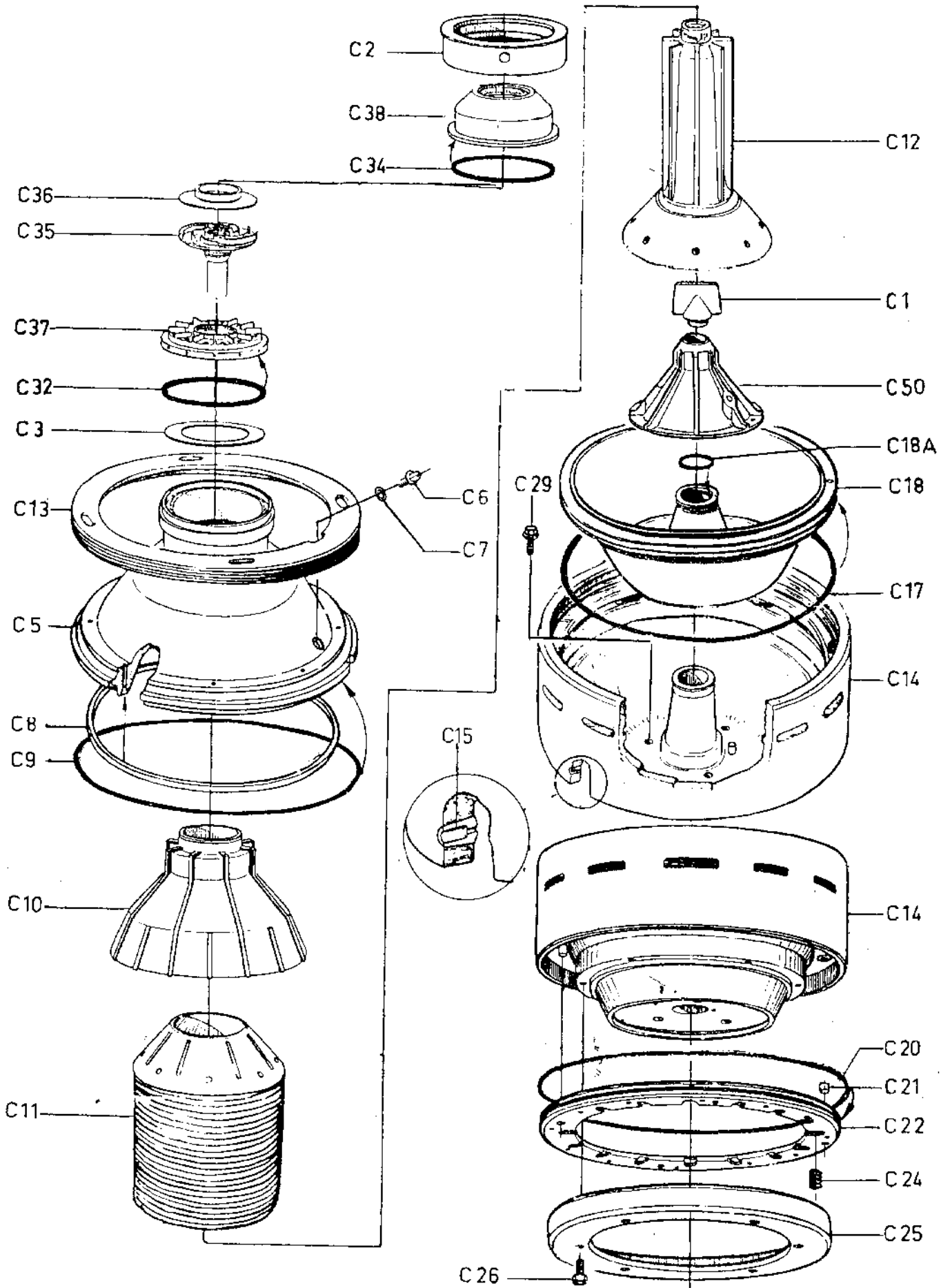
# INLET, OUTLET



## INLET & OUTLET REPLACEMENT PARTS

ITEM NO.	HHII NO.	ALFA NO.	DESCRIPTION	QTY.
A1	40055	74651	GUIDE RING, COMPLETE . . . . .	1
A2	8791	69626	VENT TUBE, COMPLETE . . . . .	1
A3	7072	190616	COUPLING NUT . . . . .	1
A7	40056	74653	HEIGHT ADJUSTING RING, 1mm . . . . .	0-4
	40057	74654	HEIGHT ADJUSTING RING, 2mm . . . . .	0-4
	40058	74655	HEIGHT ADJUSTING RING, 3mm . . . . .	0-4
A8	40059	68785	SCREW . . . . .	4
A9	40060	74559	CONNECTION HOUSING . . . . .	1
A10	40061	71866	RUBBER RING (FOR PARING DISC) . . . . .	1
A13	40062	74563	INLET PIPE . . . . .	1
A14	40063	75019	PACKING COLLAR . . . . .	1
A15	40064	71403	WASHER . . . . .	1
A16	7076	70634	SPRING . . . . .	1
A17	40065	74564	CAP NUT . . . . .	1
A18	7075	70636	HANDLE . . . . .	1
A19	40066	71490	LIFTING EYE NUT . . . . .	1
A20	7594	74565	SIGHT GLASS . . . . .	2
A21	7093	71068	PACKING . . . . .	4
A22	8790	69622	CONNECTION ELBOW . . . . .	1
A23	8409	190623	COUPLING NUT . . . . .	1
MM			REGULATING VALVE - SEE PAGE 5	

# SEPARATOR BOWL

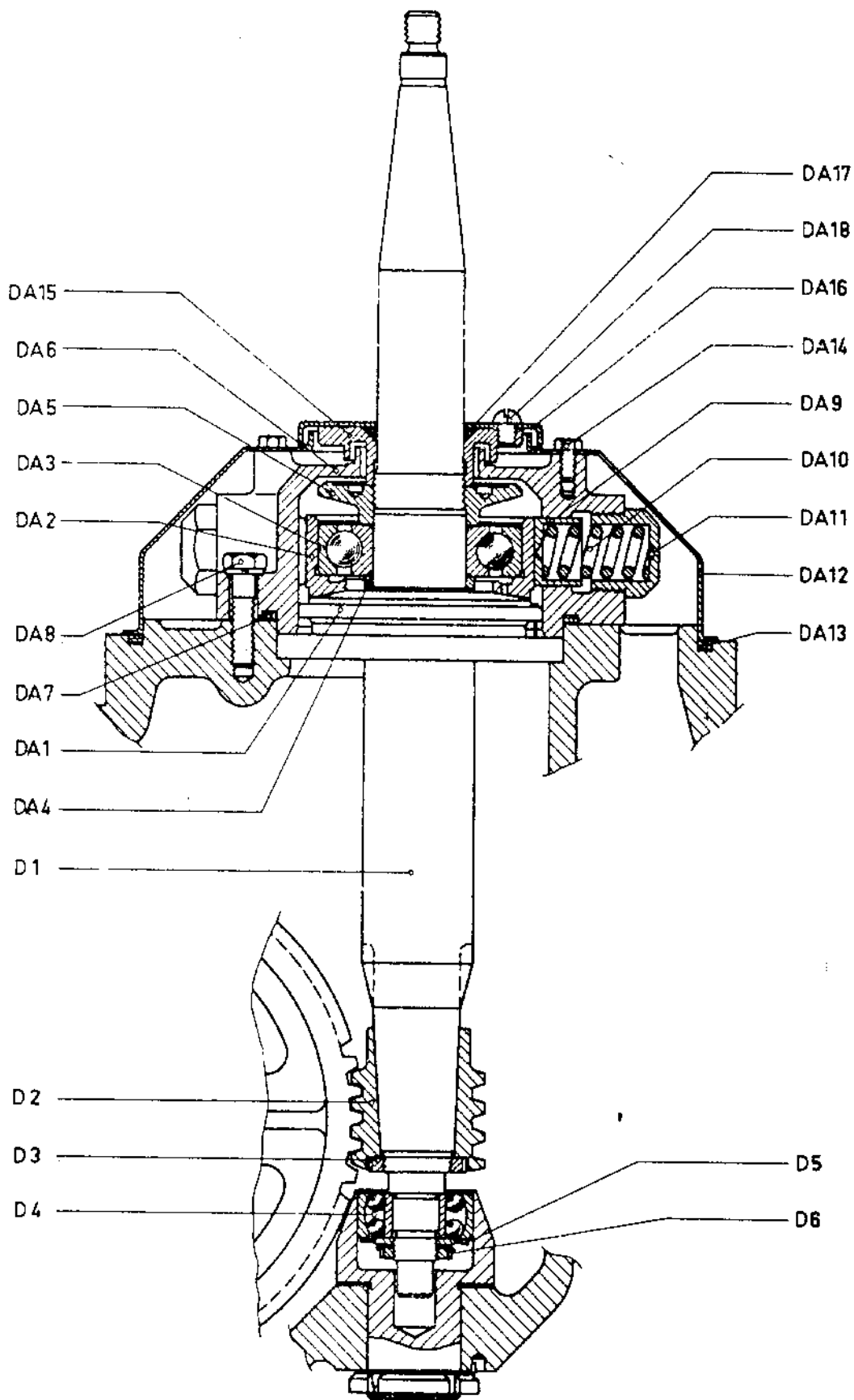


## SEPARATOR BOWL REPLACEMENT PARTS

ITEM NO.	HHII NO.	ALFA NO.	DESCRIPTION	QTY.
C1	6597	516949-80	CAP NUT . . . . .	1
C2	40036	74648	LOCK RING, SMALL . . . . .	1
C3	40037	74620	GRAVITY DISC, HOLE DIAMETER 82mm . . . . .	1
	40038	74621	GRAVITY DISC, HOLE DIAMETER 83mm . . . . .	1
	40039	74622	GRAVITY DISC, HOLE DIAMETER 86mm . . . . .	1
	40040	74623	GRAVITY DISC, HOLE DIAMETER 90mm . . . . .	1
	40041	74624	GRAVITY DISC, HOLE DIAMETER 95mm . . . . .	1
	40042	74625	GRAVITY DISC, HOLE DIAMETER 101mm . . . . .	1
	40043	74626	GRAVITY DISC, HOLE DIAMETER 109mm . . . . .	1
	40044	74627	GRAVITY DISC, HOLE DIAMETER 119mm . . . . .	1
C5	40107		*BOWL HOOD . . . . .	1
C6	40045	71347	SET SCREW - LARGE LOCK RING . . . . .	1
C7	8768	39518	PACKING - STOP SCREW . . . . .	1
C8	6565	71301	SEAL RING - BOWL HOOD . . . . .	1
C9	6566	71351	RUBBER RING - BOWL HOOD . . . . .	1
C10	40108		*TOP DISC . . . . .	1
C11	40046	74615	BOWL DISC . . . . .	1
C12	40109		*DISTRIBUTOR . . . . .	1
C13	40110		*LOCK RING, LARGE . . . . .	1
C14	40111		*BOWL BODY . . . . .	1
C15	8688	71433	NOZZLE - BOWL BODY . . . . .	1
C17	40047	71350	RUBBER RING, LARGE - SLIDING BOWL BOTTOM	1
C18	40048	516860-01	SLIDING BOWL BOTTOM . . . . .	1
C18A	8322	14238	RUBBER RING, SMALL - SLIDING BOWL BOTTOM	1
C20	7658	67587	RUBBER RING - OPERATING SLIDE . . . . .	1
C21	7793	68899	VALVE PLUG - OPERATING SLIDE . . . . .	3
C22	40049	71180	OPERATING SLIDE . . . . .	1
C24	6577	71181	SPRING - OPERATING SLIDE . . . . .	16
C25	40112		*SPRING SUPPORT . . . . .	1
C26	6575	71348	SCREW - SPRING SUPPORT . . . . .	6
C29	7132	72239	SCREW - DISTRIBUTING RING . . . . .	3
C32	40050	69270	RUBBER RING - PARING CHAMBER BOTTOM . . . . .	1
C34	40050	69270	RUBBER RING - PARING CHAMBER TOP . . . . .	1
C35	40051	74649	PARING DISC, BOTTOM PART . . . . .	1
C36	40052	74650	PARING DISC, TOP PART . . . . .	1
C37	40053	74646	PARING CHAMBER, BOTTOM PART . . . . .	1
C38	40054	74647	PARING CHAMBER, TOP PART . . . . .	1
C50	40113		*DISTRIBUTING CONE . . . . .	1

\*REPLACEMENT OF THESE ITEMS NECESSITATES REBALANCING OF THE BOWL, PLEASE MAKE ARRANGEMENTS TO SEND THE COMPLETE ASSEMBLY IN FOR THIS SERVICE.....

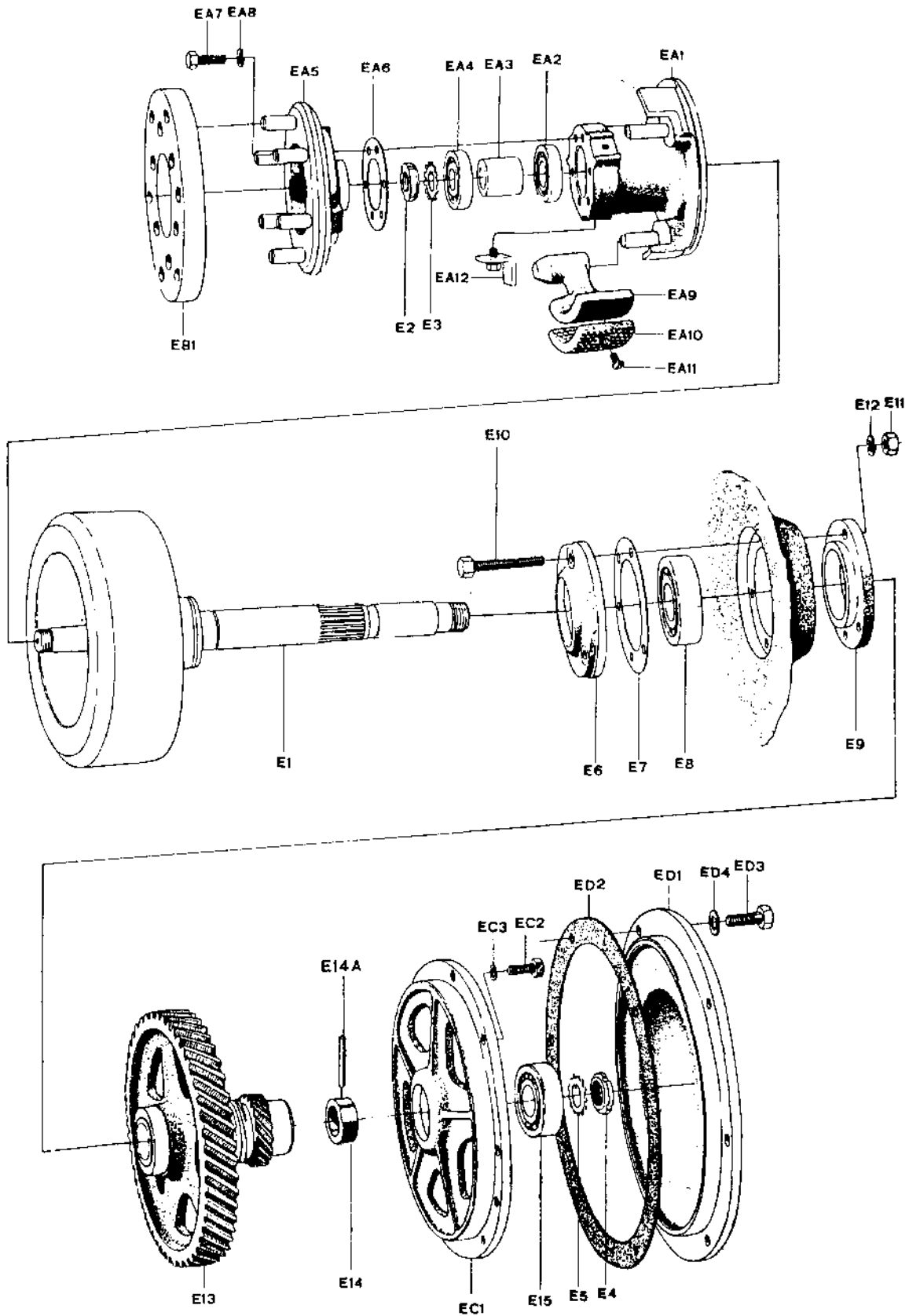
# VERTICAL DRIVING DEVICE



**VERTICAL DRIVING DEVICE  
REPLACEMENT PARTS**

<u>ITEM NO.</u>	<u>HH11 NO.</u>	<u>ALFA NO.</u>	<u>DESCRIPTION</u>	<u>QTY.</u>
D1	6596	71383	BOWL SPINDLE . . . . .	1
D2	6604	71921	WORM 50 C/S & D.C. . . . .	1
	6605	71917	WORM 60 C/S . . . . .	1
D3	8244	11522	ROUND NUT . . . . .	1
D4	6606	60695	BALL BEARING . . . . .	1
D5	6607	8511	INTERMEDIATE WASHER . . . . .	1
D6	40014	38682	ROUND NUT W/LOCK WASHER . . . . .	1
	7633	38159	LOCK WASHER . . . . .	1
DA1	40015	70209	AXIAL BUFFER . . . . .	1
DA2	6608	70212	BALL BEARING HOUSING . . . . .	1
DA3	8236	9876	BALL BEARING . . . . .	1
DA4	6598	70213	HEIGHT ADJUSTING RING, 2mm	
	6599	70214	HEIGHT ADJUSTING RING, 4mm	
	6600	70215	HEIGHT ADJUSTING RING, 6mm	0-3
DA5	6595	70216	DEFLECTOR . . . . .	1
DA6	6591	70217	SPRING CASING . . . . .	1
DA7	8668	65594	RUBBER RING . . . . .	1
DA8	6589	63656	SCREW . . . . .	6
	6070	62094	SPRING WASHER . . . . .	6
DA9	40016	70218	BUFFER . . . . .	6
DA10	6593	70219	SPRING . . . . .	6
DA11	6594	70220	SCREW PLUG . . . . .	6
DA12	6586	70888	CAP . . . . .	1
DA13	40095	38401	RUBBER RING . . . . .	1
DA14	8708	12172	SCREW . . . . .	6
DA15	6588	70222	THROW OFF COLLAR . . . . .	1
DA16	6584	71386	TOP SHIELD . . . . .	1
DA17	6587	64706	RUBBER RING . . . . .	1
DA18	6583	71388	SCREW . . . . .	3

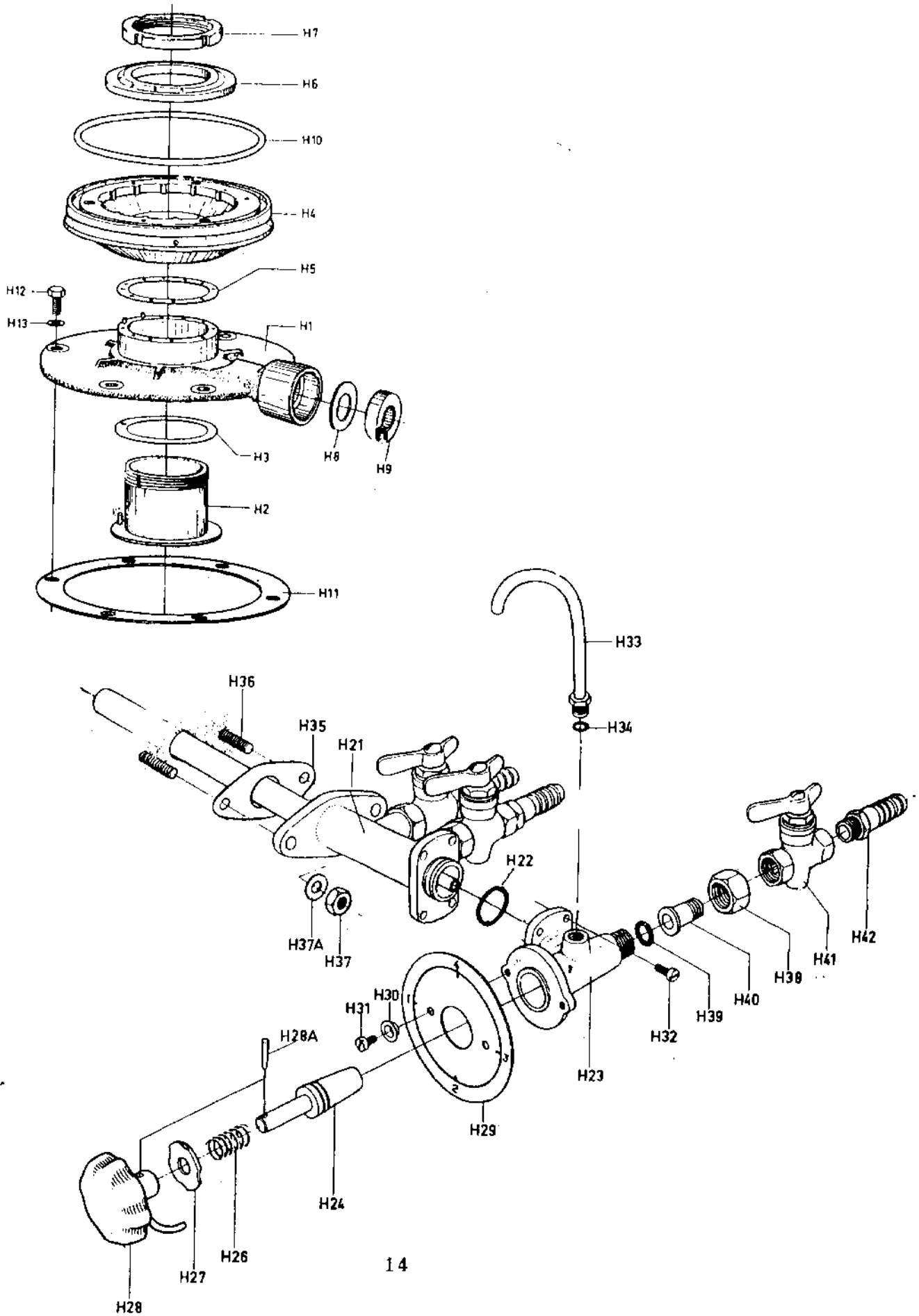
# HORIZONTAL DRIVING DEVICE



**HORIZONTAL DRIVING DEVICE  
REPLACEMENT PARTS**

<b>ITEM NO.</b>	<b>HHII NO.</b>	<b>ALFA NO.</b>	<b>DESCRIPTION</b>	<b>QTY.</b>
E1	8704	65165	WORM WHEEL SHAFT COMPLETE . . . . .	1
E2-3	40014	38682	ROUND NUT W/LOCK WASHER . . . . .	1
E3	7633	38159	LOCK WASHER . . . . .	1
E4-5	40017	60911	ROUND NUT W/LOCK WASHER . . . . .	1
E5	7245	37992	LOCK WASHER . . . . .	1
E6	7262	65171	PROTECTING COVER . . . . .	1
E7	7261	65172	PACKING . . . . .	1
E8	7260	38092	BALL BEARING . . . . .	1
E9	7255	65386	STOP RING . . . . .	1
E10	7254	65389	SCREW . . . . .	3
E11	7252	40036	NUT . . . . .	3
E12	7253	40040	SPRING WASHER . . . . .	3
E13	40100	71922	WORM WHEEL 50 C/S, & D.C. . . . .	1
	40101	71920	WORM WHEEL 60 C/S . . . . .	1
E14-A	40018	65169	STOP RING W/PIN . . . . .	1
E14A	7808	64729	PIN . . . . .	1
E15	7246	6525	BALL BEARING . . . . .	1
EA1	6580	69826	NAVE . . . . .	1
EA2	7268	8726	BALL BEARING, INNER . . . . .	1
EA3	7269	38160	SPACING SLEEVE . . . . .	1
EA4	7270	7026	BALL BEARING, OUTER . . . . .	1
EA5	6347	65155	COUPLING PULLEY . . . . .	1
EA6	7276	38164	PACKING . . . . .	1
EA7	7279	34963	SCREW . . . . .	6
EA8	7253	40040	SPRING WASHER . . . . .	6
EA9-11	40102	69890	FRICTION BLOCKS W/PADS 50 C/S & D.C. . . . .	2
	40103	69891	FRICTION BLOCKS W/PADS 60 C/S . . . . .	2
EA10-11	40019	71627	PAD W/SCREWS . . . . .	2
EA11	7271	8341	SCREW . . . . .	6
EA12	40020	65157	HOLDING . . . . .	2
EB1	7280	60571	ELASTIC PLATE . . . . .	1
EC1	40021	70204	END SHIELD . . . . .	1
EC2	7279	34963	SCREW . . . . .	6
EC3	7253	40040	SPRING WASHER . . . . .	6
ED1	40022	70205	COVER, WORM GEAR HOUSING . . . . .	1
ED2	7021	37490	PACKING . . . . .	1
ED3	7023	65437	SCREW . . . . .	6
ED4	7024	66381	WASHER . . . . .	6

# CONTROL PARTS



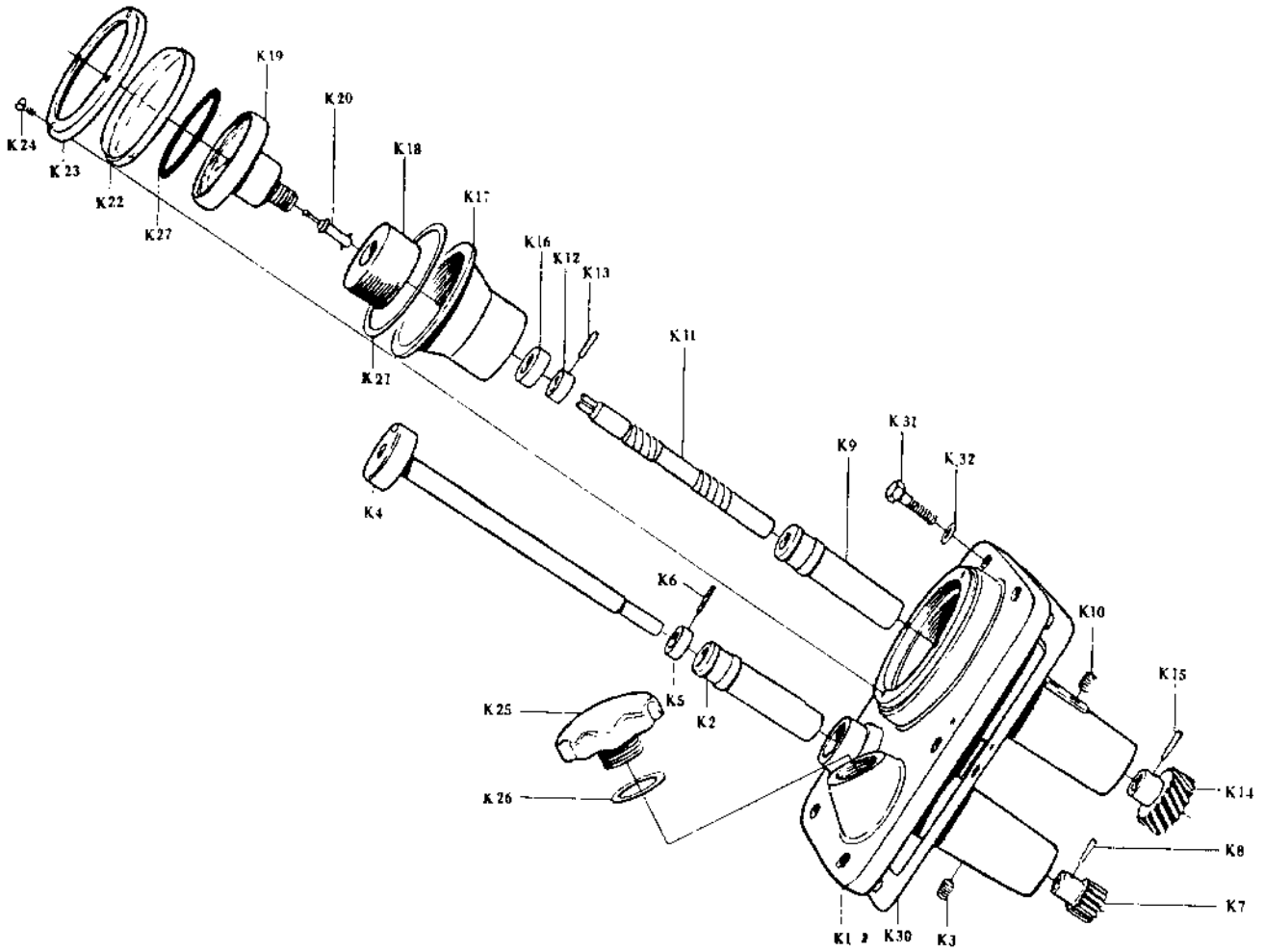
## CONTROL PARTS REPLACEMENT PARTS

ITEM NO.	HHII NO.	ALFA NO.	DESCRIPTION	QTY.
H1-10	40067	71354	PARING DISC DEVICE, COMPLETE . . . . .	1
H1-7	40068	71355	PARING DISC DEVICE . . . . .	1
H1	40069	71356	DISTRIBUTING COVER . . . . .	1
H2	6642	71358	SLEEVE . . . . .	1
H3	6641	71360	PACKING - SLEEVE . . . . .	1
H4	40071	71361	DISTRIBUTING RING . . . . .	1
H5	6638	71362	PACKING - DISTRIBUTING RING . . . . .	1
H6	6635	71363	CONTROL PARING DISC . . . . .	1
H7	7463	71364	NUT - SLEEVE . . . . .	1
H8	7153	68917	GUIDE RING - CONTROL VALVE . . . . .	1
H9	7154	60739	SEAL RING - CONTROL VALVE . . . . .	1
H10	7141	38259	RUBBER RING - DISTRIBUTING RING . . . . .	1
H11	7149	67642	HEIGHT ADJUSTING RING - PARING DISC . . . . .	1-5
H12	6639	66386	SCREW - PARING DISC DEVICE . . . . .	6
H13	7146	22405	WASHER - SCREW . . . . .	6

### CONTROL VALVE

H21-34	40072	71817	CONTROL VALVE, COMPLETE . . . . .	1
H38-42				
H21	40073	71864	CONN. PIECE W/OUTER & INNER FEED PIPE . . . . .	1
H22	7421	64708	RUBBER RING - CONN. PIECE . . . . .	1
H23-24	40074	71414	COCK HOUSING W/PLUG . . . . .	1
H23			COCK HOUSING . . . . .	1
H24			PLUG . . . . .	1
H26	8763	71333	SPRING - PLUG . . . . .	1
H27	8764	71334	DISC - PLUG . . . . .	1
H28	8765	71335	HAND WHEEL - PLUG . . . . .	1
H28A	8766	71424	TAPER PIN - HAND WHEEL . . . . .	1
H29	8761	71053	VALVE DIAL . . . . .	1
H30	8762	71331	LOCK DISC - PLUG . . . . .	2
H31	7030	11677	SCREW - LOCK DISC . . . . .	2
H32	7030	11677	SCREW - COCK HOUSING . . . . .	4
H33	40075	71416	INDICATOR PIPE . . . . .	1
H34	8768	39518	PACKING - INDICATOR PIPE . . . . .	1
H35	7158	71923	PACKING . . . . .	1
H36	40076	64367	STUD BOLT . . . . .	2
H37	7159	41380	NUT - STUD BOLT . . . . .	2
H37A	7052	65451	WASHER - NUT . . . . .	2
H38	7668	71343	COUPLING NUT . . . . .	3
H39	7666	68937	PACKING - CONNECTING NIPPLE . . . . .	3
H40	8769	71342	CONNECTING NIPPLE - COCK . . . . .	3
H41	8770	70889	COCK . . . . .	3
H42	8771	69527	HOSE NIPPLE . . . . .	3

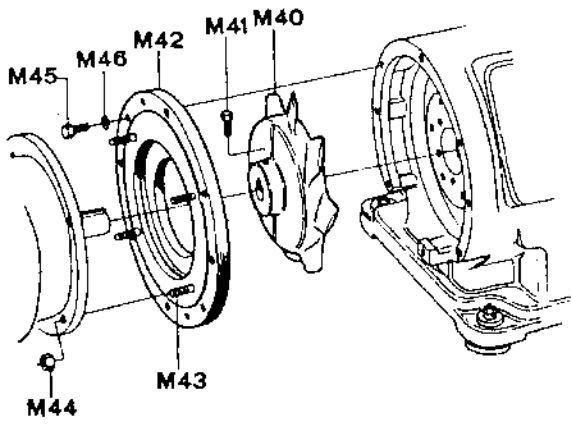
# WORM WHEEL GUARD WITH REVOLUTION COUNTER & TACHOMETER



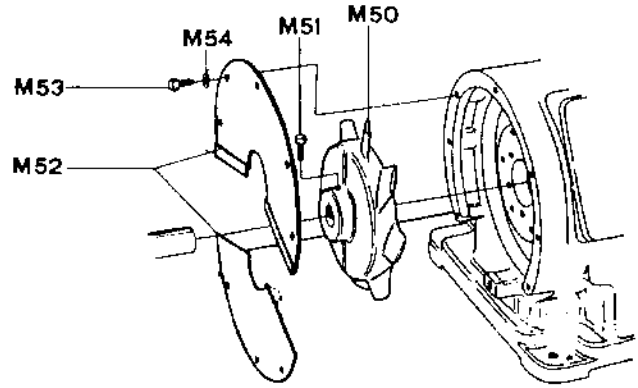
**WORM WHEEL GUARD WITH  
REVOLUTION COUNTER & TACHOMETER  
REPLACEMENT PARTS**

<u>ITEM NO.</u>	<u>HHII NO.</u>	<u>ALFA NO.</u>	<u>DESCRIPTION</u>	<u>QTY.</u>
K1-27	40106	70319	WORM WHEEL GUARD ASS'Y . . . . .	1
K1	7240	70320	GUARD . . . . .	1
K2	7227	70321	BUSHING . . . . .	1
K3	40033	34939	SET SCREW . . . . .	1
K4	7224	69209	REVOLUTION COUNTER SHAFT . . . . .	1
K5	7225	69211	STOP RING . . . . .	1
K6	7226	69212	SLOTTED PIN . . . . .	1
K7-8	7382	69213	GEAR WHEEL W/TAPER PIN . . . . .	1
K8	7230	69226	TAPER PIN . . . . .	1
K9	7227	70321	BUSHING . . . . .	1
K10	40033	34939	SET SCREW . . . . .	1
K11	7688	70322	TACHOMETER SHAFT . . . . .	1
K12	7225	69211	STOP RING . . . . .	1
K13	7226	69212	SLOTTED PIN . . . . .	1
K14-15	40034	69224	GEAR WHEEL W/TAPER PIN . . . . .	1
K15	7230	69226	TAPER PIN . . . . .	1
K16	7381	38710	SEAL RING . . . . .	1
K17	7687	70324	GUIDE SLEEVE FOR TACHOMETER . . . . .	1
K18	7685	70325	TACHOMETER HOLDER . . . . .	1
K19	7683	43088	TACHOMETER . . . . .	1
K20	7684	43089	DRIVING PIN . . . . .	1
K21	7686	70323	PACKING . . . . .	1
K22	7681	43094	TRANSPARENT CAP FOR TACHOMETER . . . . .	1
K23	7680	43105	FIXING RING . . . . .	1
K24	7567	11565	SCREW . . . . .	4
K25	7222	65459	FILLING SCREW FOR LUBRICATING OIL . . . . .	1
K26	7223	38324	PACKING . . . . .	1
K27	7682	43695	RUBBER RING . . . . .	1
K30	7231	65220	PACKING . . . . .	1
K31	7053	66378	SCREW . . . . .	6
K32	7052	65451	WASHER . . . . .	6

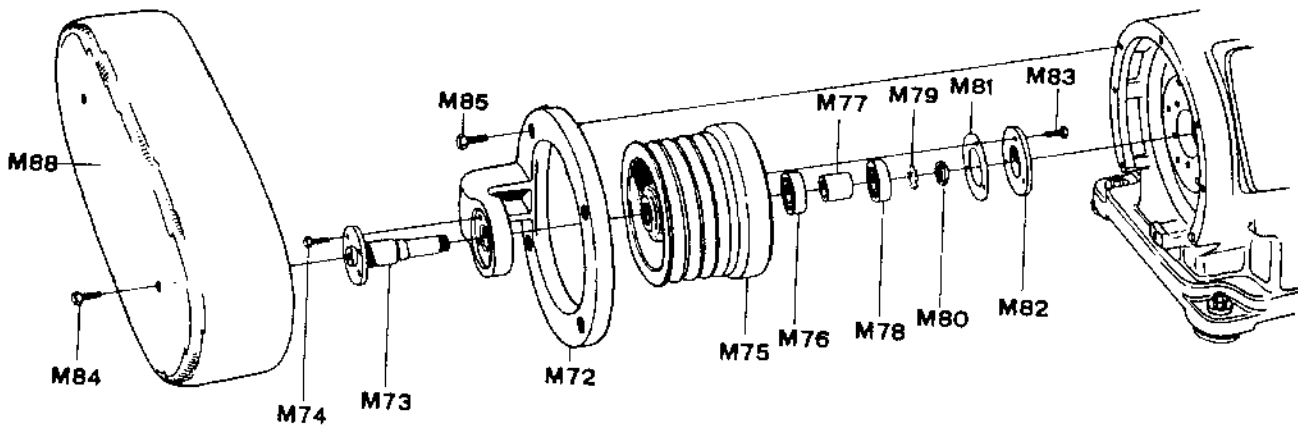
# VARIOUS DRIVE ARRANGEMENTS



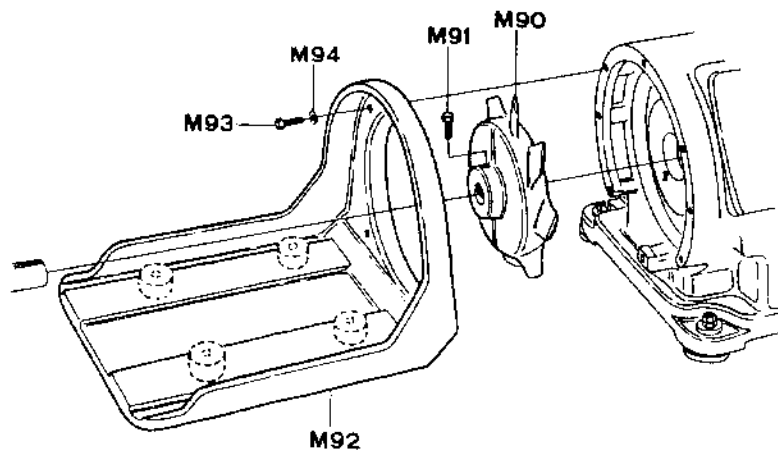
Direct drive - Flange motor  
("4"-drive)



Direct drive - Motor on foundation  
plate ("5"-drive)



V belt drive - Separate motor ("7"-drive)

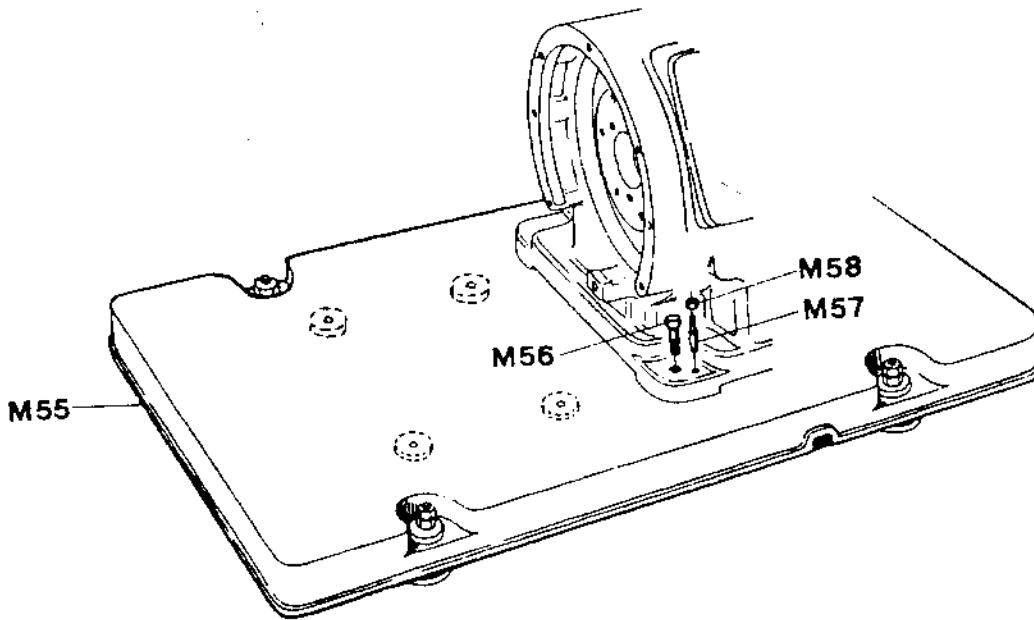


Direct drive - Motor on bracket ("9"-drive)

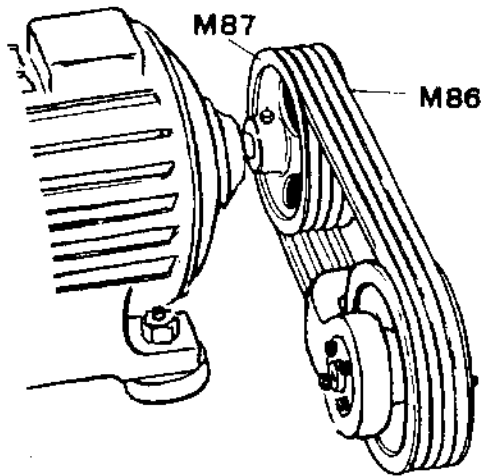
**PARTS FOR VARIOUS DRIVE ARRANGEMENTS  
REPLACEMENT PARTS**

ITEM NO.	HHII NO.	ALFA NO.	DESCRIPTION	QTY.
<b>DIRECT DRIVE - FLANGE MOTOR ("4"-DRIVE)</b>				
M40-41	6610	71309	COUPLING PULLEY W/SET SCREW . . . . .	1
M41	7282	65347	SET SCREW . . . . .	1
M42-44			MOTOR ADAPTER W/STUD BOLTS & NUTS . . . . .	1
M43			STUD BOLT	
M44			NUT, STUD BOLT	
M45			SCREW, MOTOR ADAPTER . . . . .	4
M46			WASHER . . . . .	4
<b>DIRECT DRIVE MOTOR ON FOUNDATION PLATE ("5"-DRIVE)</b>				
M50-51	6610	71309	COUPLING PULLEY W/SET SCREW . . . . .	1
M51	7282	65347	SET SCREW . . . . .	1
M52	40023	72720	PROTECTING SHIELD . . . . .	1
M53	40024	38221	SCREW . . . . .	4
M54	7066	70490	WASHER . . . . .	4
*SEE PAGE FOR FOUNDATION PLATE, SCREW, GUIDE PIN, NUT				
<b>V-BELT DRIVE - SEPARATOR MOTOR ("7"-DRIVE)</b>				
M72-84	40025	70230	BELT GEARING, COMPLETE . . . . .	1
M72	40026	70231	BRACKET - BELT PULLEY . . . . .	1
M73	40027	70232	SHAFT - BELT PULLEY . . . . .	1
M74	7279	34963	SCREW - SHAFT . . . . .	4
M75	40028	70233	V-BELT PULLEY . . . . .	1
M76	7268	8726	BALL BEARING, INNER - BELT PULLEY . . . . .	1
M77	7269	38160	SPACING SLEEVE - BALL BEARING . . . . .	1
M78	7270	7026	BALL BEARING, OUTER - BELT PULLEY . . . . .	1
M79-80	40014	38682	ROUND NUT W/LOCK WASHER . . . . .	1
M80	7633	38159	LOCK WASHER . . . . .	1
M81	7276	38164	PACKING . . . . .	1
M82	40029	70235	BALL BEARING COVER . . . . .	1
M83	7279	34963	SCREW - BALL BEARING COVER . . . . .	3
M84	7259	67425	SCREW - BELT GUARD: . . . . .	1
M85	40030	72642	SCREW . . . . .	4
M88	40031	73879	BELT GUARD . . . . .	1
<b>DIRECT DRIVE - MOTOR ON BRACKET ("9"-DRIVE)</b>				
M90-91	6610	71309	COUPLING PULLEY W/SET SCREW . . . . .	1
M91	7282	65347	SET SCREW . . . . .	1
M92			MOTOR BRACKET . . . . .	1
M93	40032	3228	SCREW . . . . .	4
*V-BELT, V-BELT PULLEY W/SET SCREW & SET SCREW ON PAGE . . . . .				

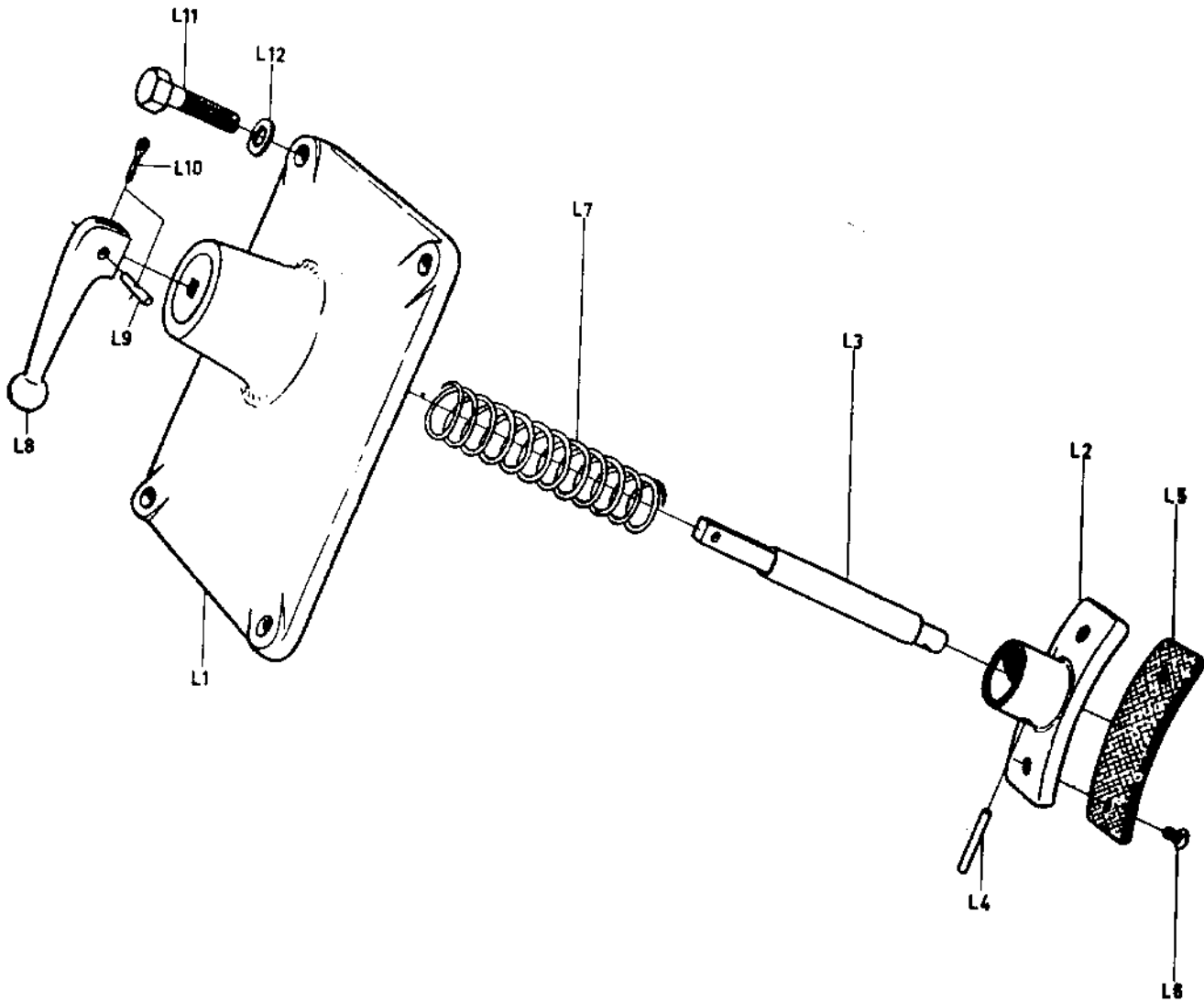
DRIVE ARRANGEMENTS CONTINUED



ITEM NO.	HHII NO.	ALFA NO.	DESCRIPTION	QTY.
M55	8378	60471	FOUNDATION PLATE . . . . .	1
M56	7026	65319	SCREW - SEPARATOR . . . . .	4
M57	7247	65320	GUIDE PIN - SEPARATOR . . . . .	2
M58	7374	41330	NUT - GUIDE PIN . . . . .	2



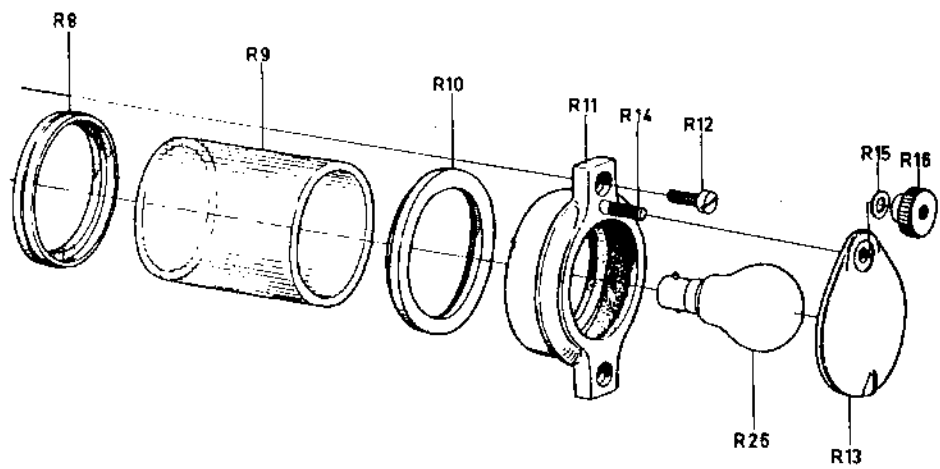
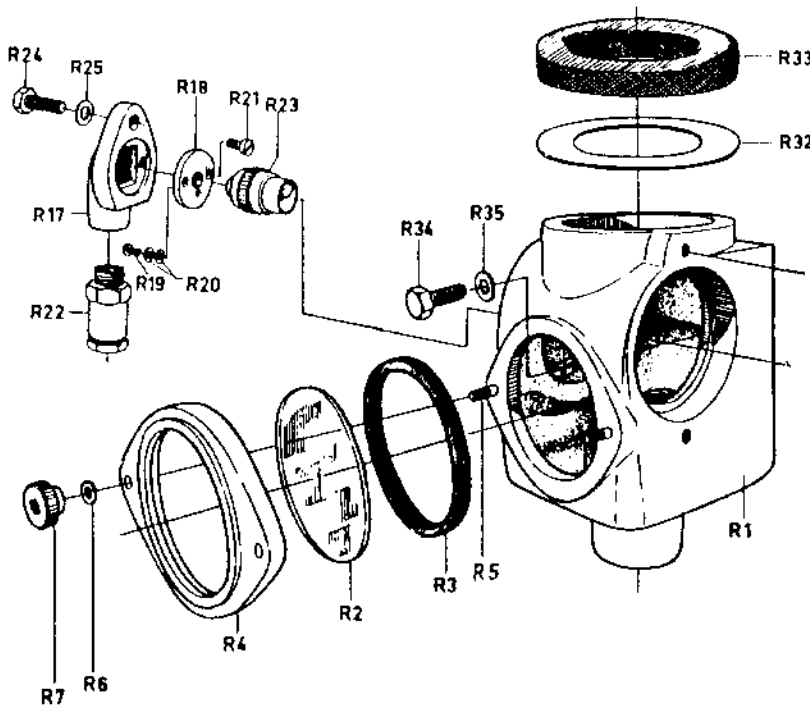
ITEM NO.	HHII NO.	ALFA NO.	DESCRIPTION	QTY.
M86	40104	60387	V BELT . . . . .	4
M87	40105	73890	V BELT PULLEY W/SET SCREW - MOTOR . . . . .	1
	7282	65347	SET SCREW . . . . .	1



**FRICITION COUPLING GUARD WITH BRAKE  
REPLACEMENT PARTS**

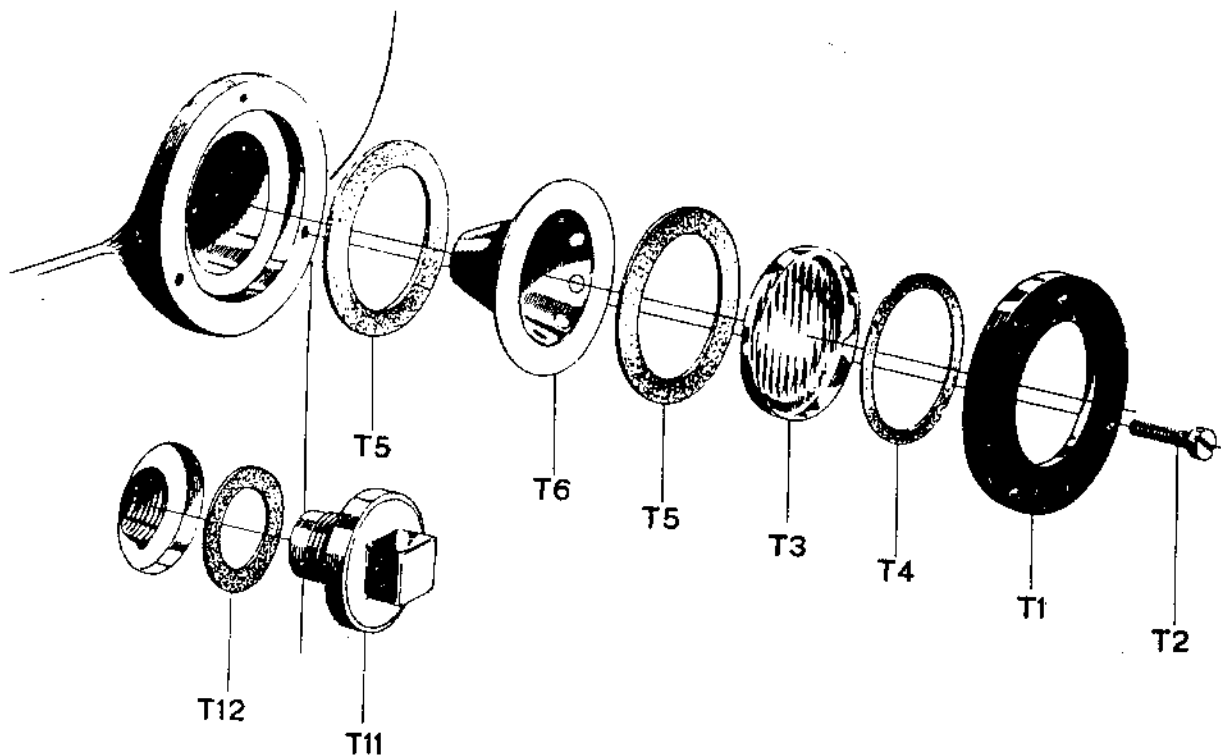
ITEM NO.	HHII NO.	ALFA NO.	DESCRIPTION	QTY.
L1-10	40035	67799	FRICITION COUP. GUARD & BRAKE ASS'Y . . . . .	1
L1	6643	67786	GUARD W/GUIDE PLUG . . . . .	1
L2-6	7477	67803	BRAKE SHOE ASS'Y W/LINING & SCREWS . . . . .	1
L2	7218	65226	BRAKE SHOE . . . . .	1
L3	6314	65461	SPINDLE . . . . .	1
L4	7434	67960	SLOTTED PIN . . . . .	1
L5-6	7220	65227	LINING W/SCREWS . . . . .	1
L6	7271	8341	SCREW . . . . .	3
L7	7216	39096	SPRING . . . . .	1
L8	7429	67609	HANDLE . . . . .	1
L9	7208	39098	PIN . . . . .	1
L10	7438	8199	SPLIT PIN . . . . .	1
L11	7053	66378	SCREW . . . . .	4
L12	7052	65451	WASHER . . . . .	4

# SIGHT GLASS BOX



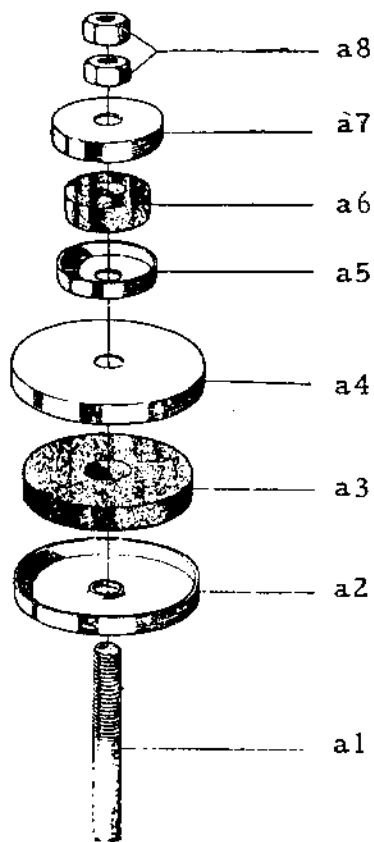
**SIGHT GLASS BOX  
REPLACEMENT PARTS**

<b>ITEM NO.</b>	<b>HHI NO.</b>	<b>ALFA NO.</b>	<b>DESCRIPTION</b>	<b>QTY.</b>
R1-26, 32,33	40077	R107113B	SIGHT GLASS BOX, COMPLETE . . . . .	1
R1	40078	R107049	SIGHT GLASS BOX . . . . .	1
R2	7865	68075	SIGHT GLASS . . . . .	1
R3	7864	68076	SEAL RING . . . . .	1
R4	40079	71163	SECURING RING . . . . .	1
R5	40080	71353	STUD BOLT . . . . .	2
R6	7052	20758	WASHER . . . . .	2
R7	7859	71349	HAND WHEEL . . . . .	2
R8	7867	65247	SEAL RING . . . . .	1
R9	40081	65246	PROTECTING GLASS TUBE . . . . .	1
R10	40082	71167	SEAL RING . . . . .	1
R11	40083	71164	GLAND . . . . .	1
R12	40084	14999	SCREW . . . . .	2
R13	40085	71166	COVER . . . . .	1
R14	40086	37547	STUD BOLT . . . . .	1
R15	7052	20758	WASHER . . . . .	1
R16	7859	71349	HAND WHEEL . . . . .	1
R17	40087	68621	ANGLE FLANGE . . . . .	1
R18	40088	68622	HOLDER - LAMP SOCKET . . . . .	1
R19	8770	24846	GROUNDING SCREW . . . . .	1
R20	7852	25357	WASHER . . . . .	2
R21	40089	68623	SCREW . . . . .	2
R22	40090	68624	CABLE FITTING . . . . .	1
R23	7855	65252	LAMP SOCKET . . . . .	1
R24	7300	38544	SCREW - ANGLE FLANGE . . . . .	1
R25	7052	20758	WASHER . . . . .	1
R26	8782	63264	LAMP (SWAN 25W-140V) . . . . .	1
R26	7856	62678	LAMP (SWAN 25W-250V) . . . . .	1
R32	7845	69584	HEIGHT ADJUSTING RING . . . . .	4
R33	7068	71162	SEAL RING . . . . .	1
R34	40091	67777	SCREW - SIGHT GLASS BOX . . . . .	1
R35	40092	68631	WASHER - SCREW . . . . .	1
	40093	67781	GUIDE PIN - SIGHT GLASS BOX . . . . .	2



**GAUGE GLASS & DRAIN SCREW  
FOR LUBRICATING OIL  
REPLACEMENT PARTS**

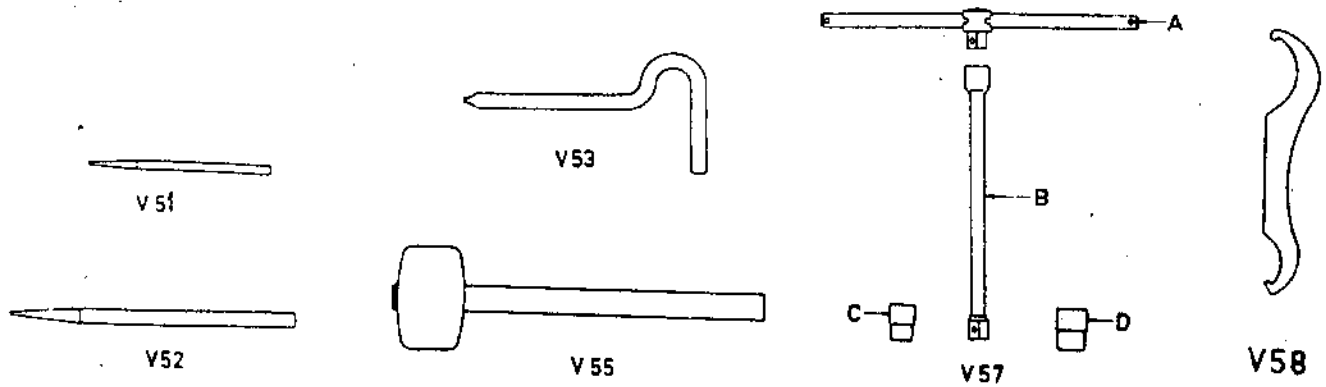
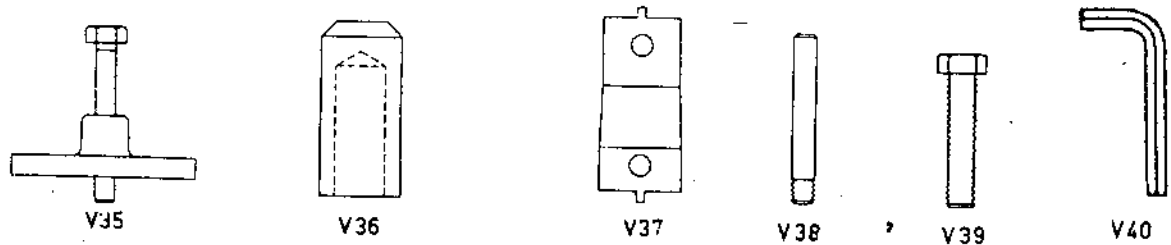
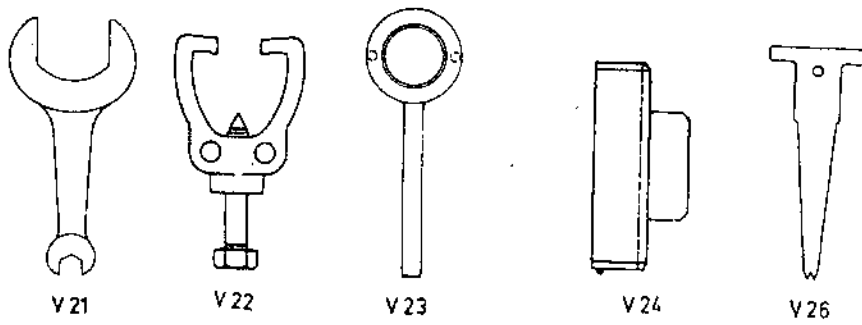
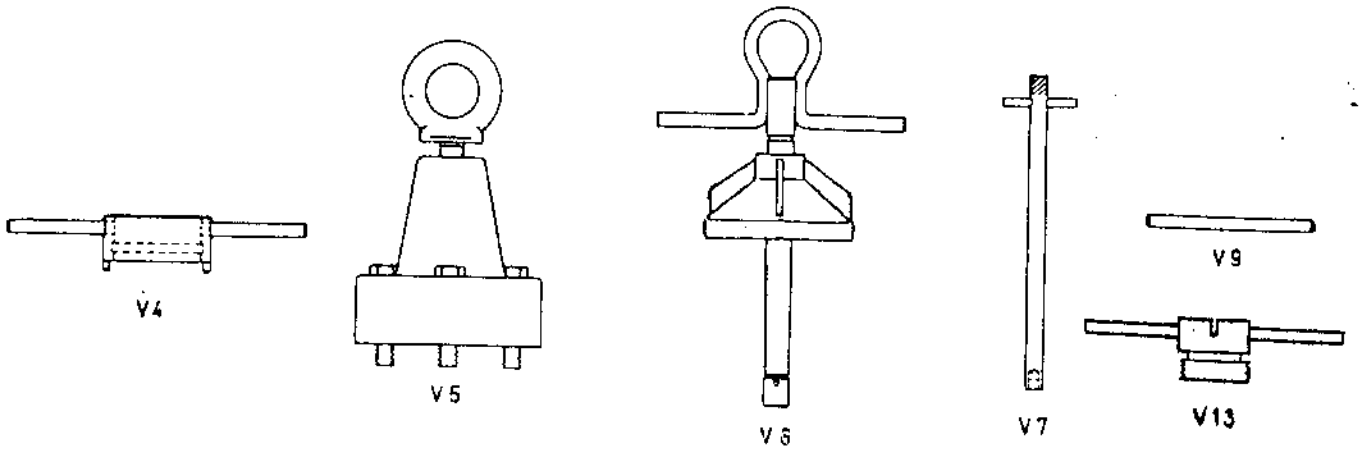
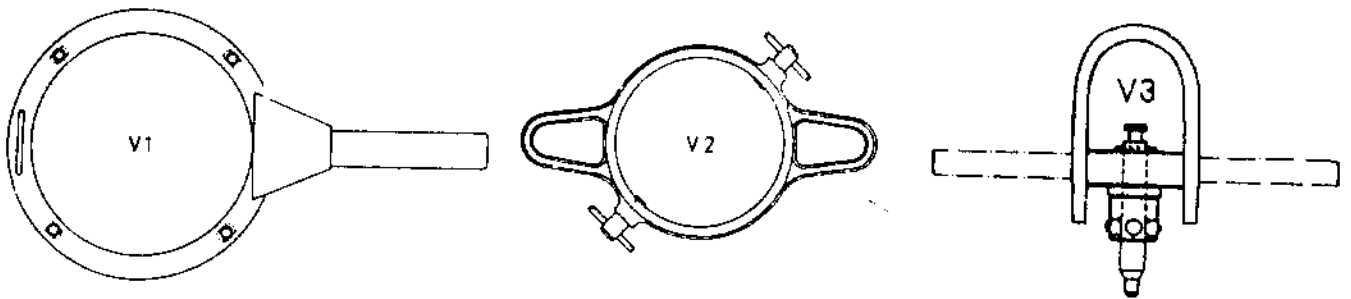
ITEM NO.	HH11 NO.	ALFA NO.	DESCRIPTION	QTY.
T1	7236	65457	FIXING RING - GAUGE GLASS . . . . .	1
T2	8739	65458	SCREW - FIXING RING . . . . .	3
T3	7234	38685	GLASS DISC . . . . .	1
T4	7235	37167	PACKING, SMALL - GLASS DISC . . . . .	1
T5	7232	38967	PACKING, LARGE . . . . .	2
T6	7233	61899	OIL LEVEL STABILIZER . . . . .	1
T11	7239	62467	DRAIN SCREW FOR LUBRICATING OIL . . . . .	1
T12	7238	35607	PACKING, DRAIN SCREW . . . . .	1



**ANCHORING  
REPLACEMENT PARTS**

ITEM NO.	HHII NO.	ALFA NO.	DESCRIPTION	QTY.
A1			ANCHOR BOLT (TO BE PROCURED BY CUST)	4
A2	7033	65233	CUP, LARGE LOWER	4
A3	7034	65232	RUBBER CUSHION , LARGE LOWER	4
A4	7471	65234	CUP COVER, LARGE (LOWER)	4
A5	7472	65236	CUP, SMALL (UPPER)	4
A6	7032	65235	RUBBER CUSHION, SMALL (UPPER)	4
A7	7320	65237	CUP COVER, SMALL (UPPER)	4
A8			NUT (TO BE PROCURED BY CUSTOMER)	8

# TOOLS



## TOOLS

ITEM NO.	HHII NO.	ALFA NO.	DESCRIPTION	QTY.
V1	6537	72236	SPANNER . . . . .	1
V2	6536	72625	SPANNER . . . . .	1
V3	6539	74387	LIFTING SCREW . . . . .	1
V4	6541	72623	LIFTING TOOL . . . . .	1
V5	6542	72712	LIFTING TOOL . . . . .	1
V6	6538	72621	LIFTING TOOL . . . . .	1
V7	40096	8431	SOCKET WRENCH . . . . .	1
V9	7303	71194	DRIVING OUT PIN . . . . .	1
V13	6540	516773-80	LIFTING TOOL, SPANNER . . . . .	1
V21	7080	39456	SCREW SPANNER . . . . .	1
V22	6544	70895	BALL BEARING PULLER . . . . .	1
V23	6547	73101	PIN SPANNER . . . . .	1
V24	6545	70293	DRIVING OFF SLEEVE . . . . .	1
V26	6546	72999	TEMPLET . . . . .	1
V35	40097	70891	DRIVING OFF TOOL . . . . .	1
V36	7289	65374	DRIVING ON SLEEVE . . . . .	1
V37	7300	72719	PIN SPANNER . . . . .	1
V38	6543	70300	GUIDE BOLT . . . . .	1
V39	40098	72730	JACK SCREW . . . . .	1
V40	40099	66769	HEXAGONAL HOLE WRENCH 13/32" . . . . .	1
	6548	66884	HEXAGONAL HOLE WRENCH 9/16" . . . . .	1
V51	8873	2279	DRIFT, SMALL . . . . .	1
V52	8872	37666	DRIFT, LARGE . . . . .	1
V53	7712	14486	SCREW DRIVER . . . . .	1
V55	7699	64324	TIN Mallet . . . . .	1
V57A	7293	72243	T-HANDLE . . . . .	1
V57B	7294	72244	EXTENSION ROD . . . . .	1
V57C	7295	72245	SOCKET, 19/32" . . . . .	1
V57D	7296	72246	SOCKET, 13/16" . . . . .	1
V58	7313	69696	HOOK SPANNER . . . . .	1

## RECOMMENDED SPARE PARTS

ITEM NO.	HHII NO.	ALFA NO.	DESCRIPTION	QTY.
A10	40061	71866	RUBBER RING . . . . .	2
A14	40063	75019	PACKING COLLAR . . . . .	1
A20	7594	74565	SIGHT GLASS . . . . .	2
A21	7093	71068	PACKING . . . . .	4
B2	6625	71402	RUBBER RING . . . . .	1
B13	6624	71401	RUBBER RING . . . . .	1
B64	7414	70943	RUBBER RING . . . . .	1
C6	40045	71347	SET SCREW . . . . .	1
C7	8768	39518	PACKING . . . . .	10
C8	6535	71301	SEAL RING . . . . .	1
C9	6566	71351	RUBBER RING . . . . .	2
C11	40046	74615	BOWL DISC . . . . .	1
C15	8688	71433	NOZZLE . . . . .	1
C17	40047	71350	RUBBER RING . . . . .	2
C18A	8322	14238	RUBBER RING . . . . .	2
C20	7658	67587	RUBBER RING . . . . .	2
C21	7793	68899	VALVE PLUG . . . . .	3
C24	6577	71181	SPRING . . . . .	5
C32	40050	69270	RUBBER RING . . . . .	2
C34	40050	69270	RUBBER RING . . . . .	2
D4	6606	60695	BALL BEARING . . . . .	1
	8235	9699	SPRING . . . . .	12
DA3	8236	9876	BALL BEARING . . . . .	1
DA7	8668	65594	RUBBER RING . . . . .	1
DA10	6593	70219	SPRING . . . . .	6
DA13	40095	38401	RUBBER RING . . . . .	1
DA17	6587	64706	RUBBER RING . . . . .	1
EA10	40019	71627	FRICTION PAD W/SCREWS . . . . .	2
H3	6641	71360	PACKING . . . . .	1
H5	6338	71362	PACKING . . . . .	1
H9	7154	60739	SEAL RING . . . . .	1
H10	7141	38259	RUBBER RING . . . . .	2
H16	6338	73632	RUBBER RING . . . . .	2
H22	7421	64708	RUBBER RING . . . . .	1
H39	7666	68937	PACKING . . . . .	3
K16	7381	38710	SEAL RING . . . . .	3
L5-6	7220	65227	LINING W/SCREWS . . . . .	1
MM3	7698	74494	PACKING COLLAR . . . . .	1
R2	7865	68075	SIGHT GLASS . . . . .	1
R3	7864	68076	SEAL RING . . . . .	1
R8	7867	65247	SEAL RING . . . . .	1
R9	40081	65246	PROTECTING GLASS TUBE . . . . .	1
R10	40082	71167	SEAL RING . . . . .	1