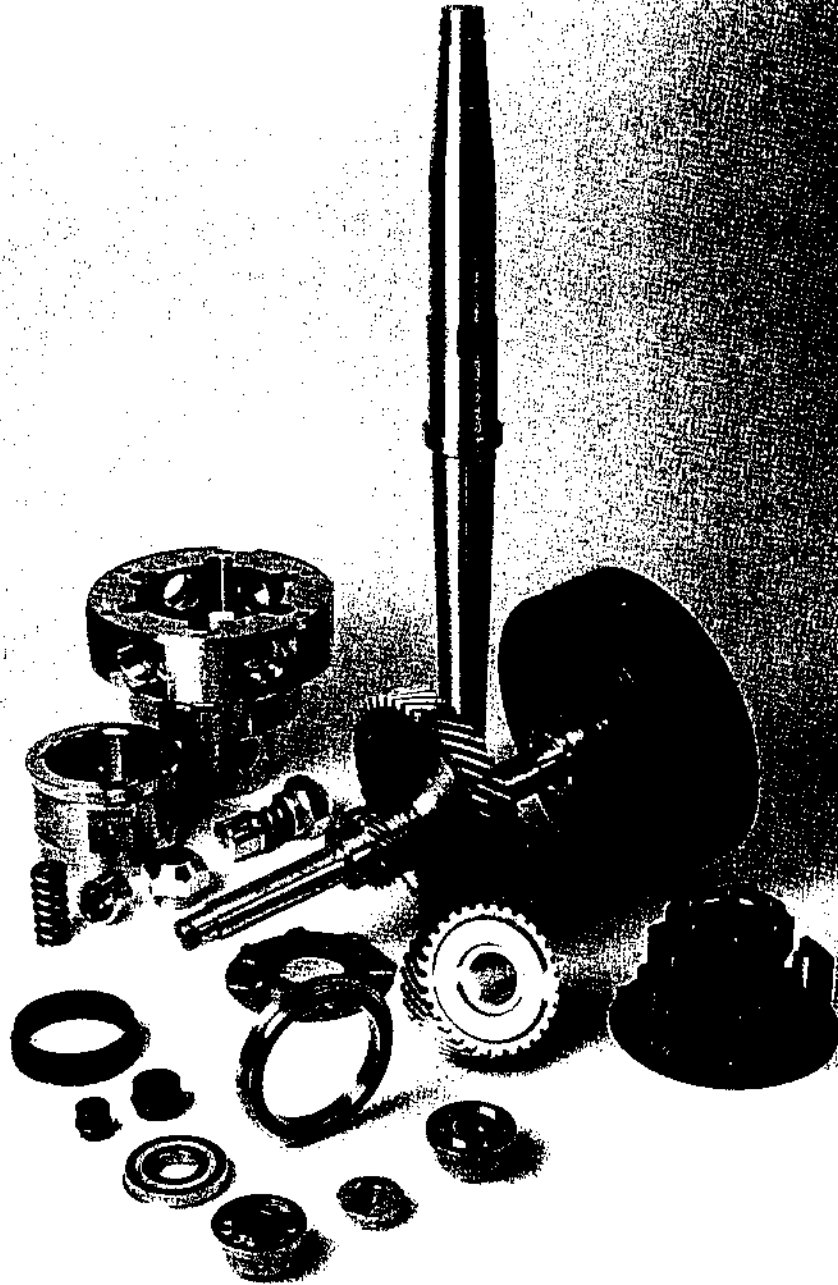




HUTCHISON-HAYES SEPARATORS, INC.



PARTS MANUAL DELAVAL 300 SERIES

3520 East Belt
Houston, Texas 77015
(713) 455-9600
FAX (713) 455-7753
(800) 441-4850

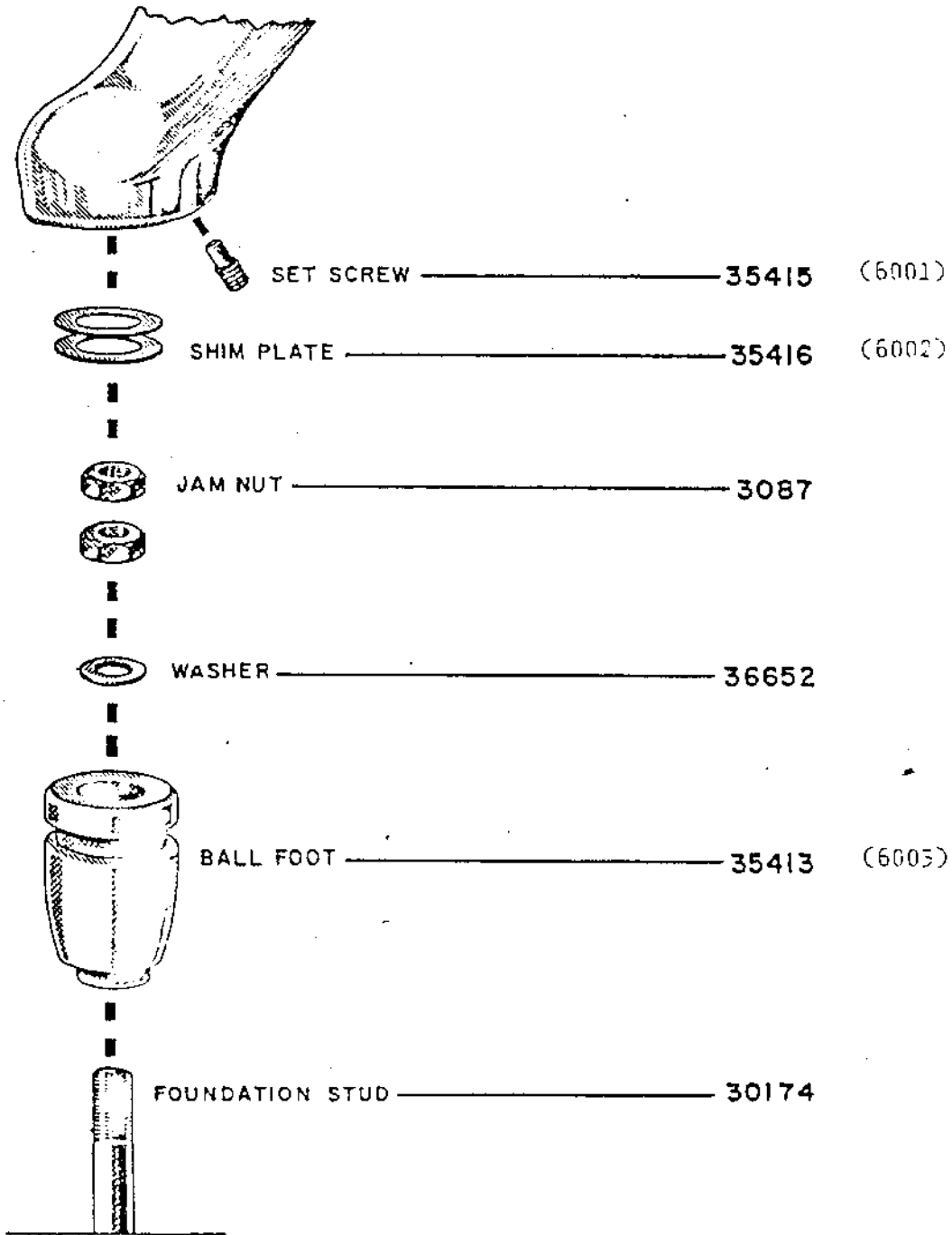
434 Park 800 Drive
Greenwood, Indiana 46143
(317) 888-8828
FAX (317) 888-7313

SECTION 1

BALL FOOT

A₁

MAY, 1960



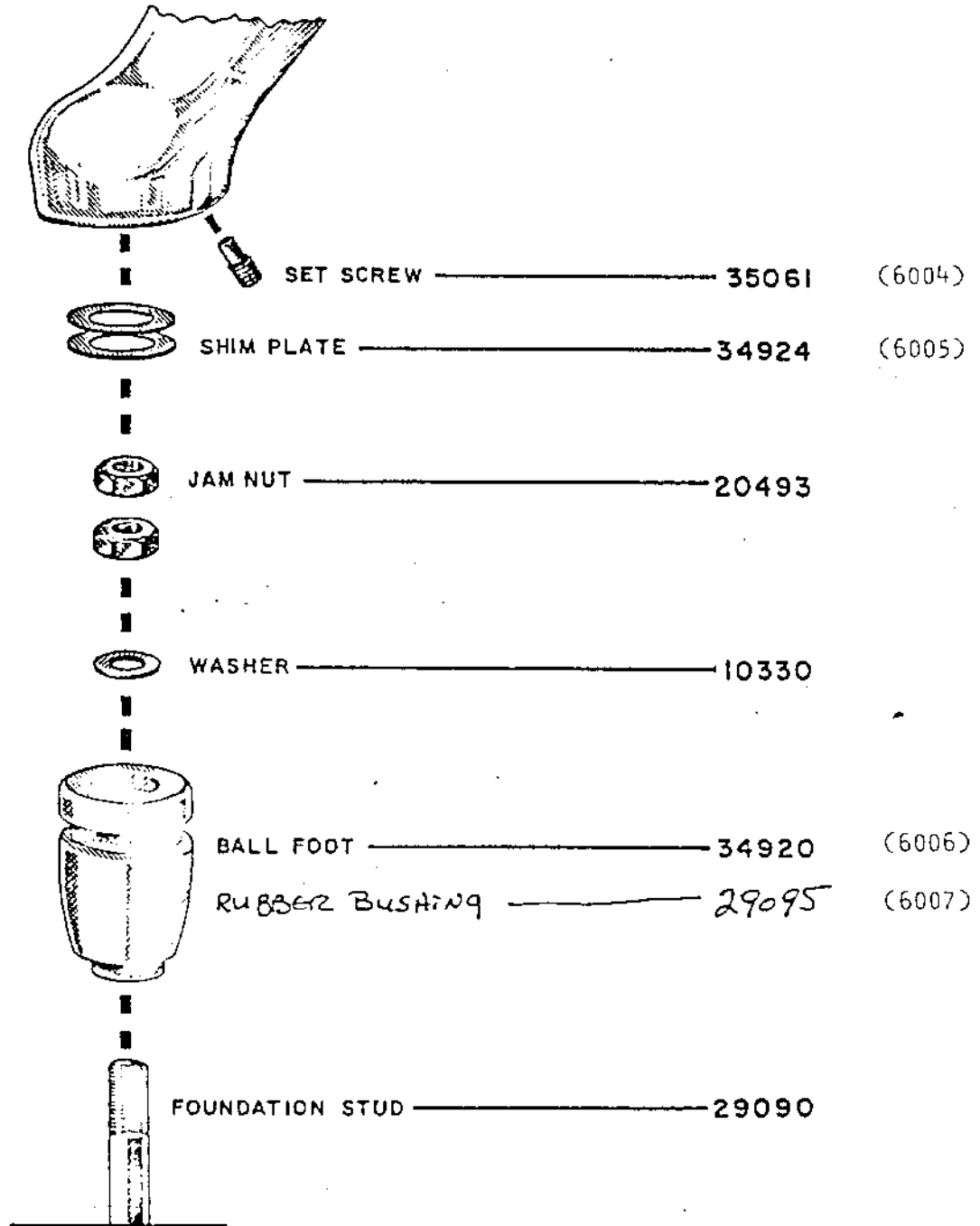
USED ON 336, 340, 342, 345 MACHINES

SECTION 1

BALL FOOT

A₂

MAY 1960



USED ON 366, 370, 372 HOT, 372 COLD, 372-H, 388,
390, 392 HOT, 392 COLD, 392-H, 395 MACHINES

SECTION 1

TOP BEARING

B
1

MAY, 1960

 PLATE SCREW ————— 31013 (6008)



 PROTECTING COVER ————— 32502 (6009)


 PLATE ————— 30303 (6010)

 RUBBER MOUNT ————— 30302 (6011)

 CUSHION PLATE ————— 30305 (6012)

 RUBBER CUSHION ————— 30306 (6013)

 SHIM ————— 33583 (6014)

 GASKET ————— 30307 (6015)


USED ON 336, 340, 342, 345 MACHINES

SECTION 1

TOP BEARING

B₂

MAY, 1960

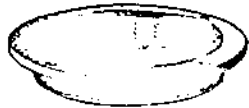
 PLATE SCREW ————— 31012 (6016)



PROTECTING COVER ————— 32492 (6017)



PLATE ————— 30384 (6019)



RUBBER MOUNT ————— 30387 (6019)



CUSHION PLATE ————— 30327 (6020)

RUBBER CUSHION ————— 30326 (6021)



SHIM ————— 33584 (6022)



GASKET ————— 30385 (6023)




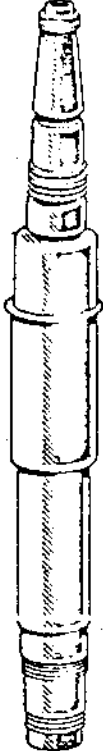








Used on 366, 370, 372 Hot, 372 Cold, 372-H, 375, 388, 390, 392 Hot, 392 Cold, 392-H, 395 Machines.

SECTION 1

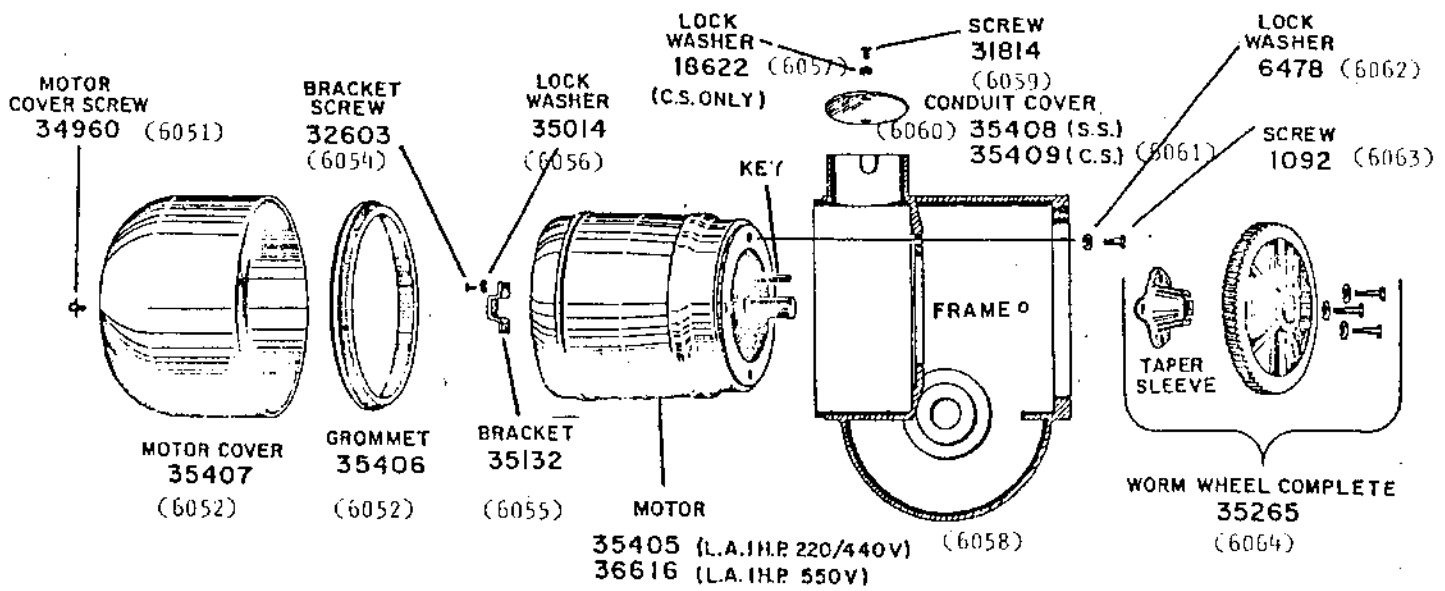
SPINDLE

C
1

MAY 1960

- | | | | |
|---|---------------------------------|-------|--------|
|  | CAP NUT ————— | 32195 | (6024) |
|  | LOCK NUT ————— | 32503 | (6025) |
|  | UPPER BALL BEARING — | 33748 | (6026) |
|  | SPINDLE —————
(WITHOUT NUTS) | 35463 | (6027) |
| | THROW-OFF RING ————— | 34311 | (6028) |
|  | KEY ————— | 30140 | (6029) |
|  | WORM SCREW SHELL ————— | 25877 | (6030) |
|  | LOWER BALL BEARING ————— | 28985 | (6031) |
|  | LOCK WASHER ————— | 24588 | (6032) |
|  | LOCK NUT ————— | 34902 | (6033) |
|  | RUBBER RING ————— | 33052 | (6034) |
|  | INLET NOZZLE ————— | 30165 | (6035) |
|  | LOCK NUT ————— | 28684 | (6036) |

USED ON 336, 340, 342, 345 MACHINES

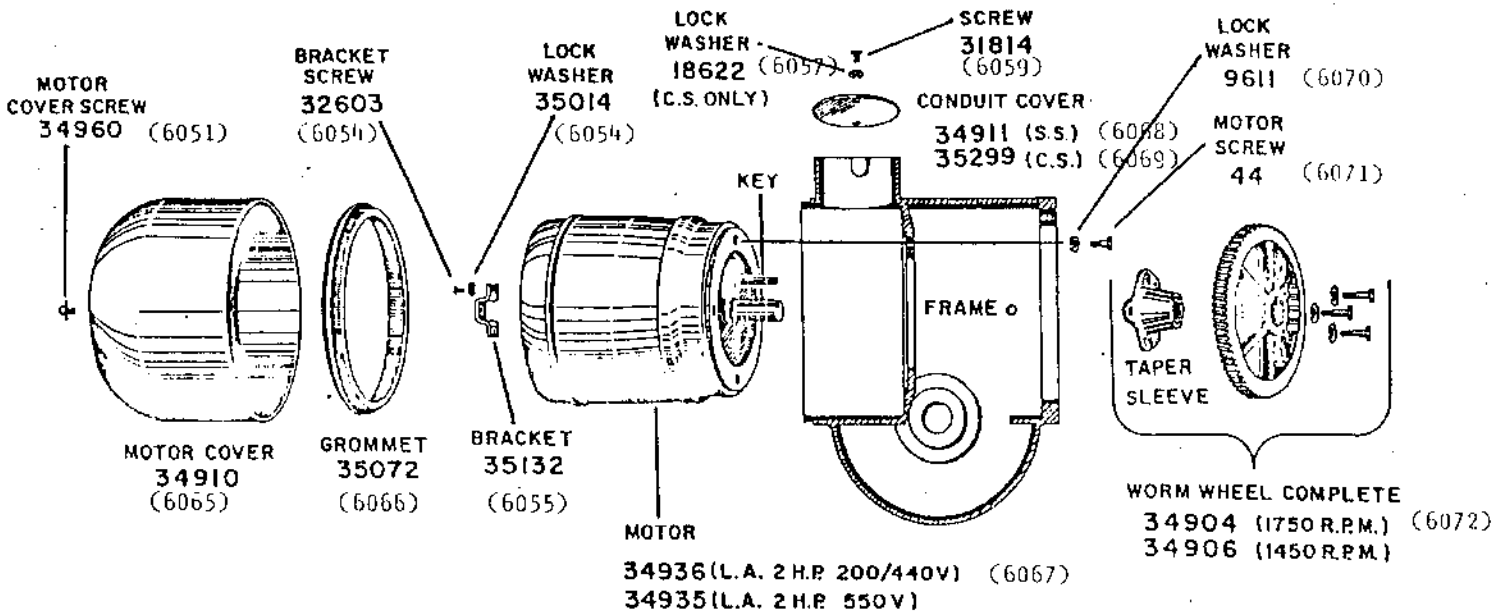


(S.S.)-STAINLESS STEEL
 (C.S.)-CARBON STEEL

USED ON 336, 340, 342, 345 MACHINES

MAY 1960

SECTION 1
 MOTOR AND WORM WHEEL
 D 1

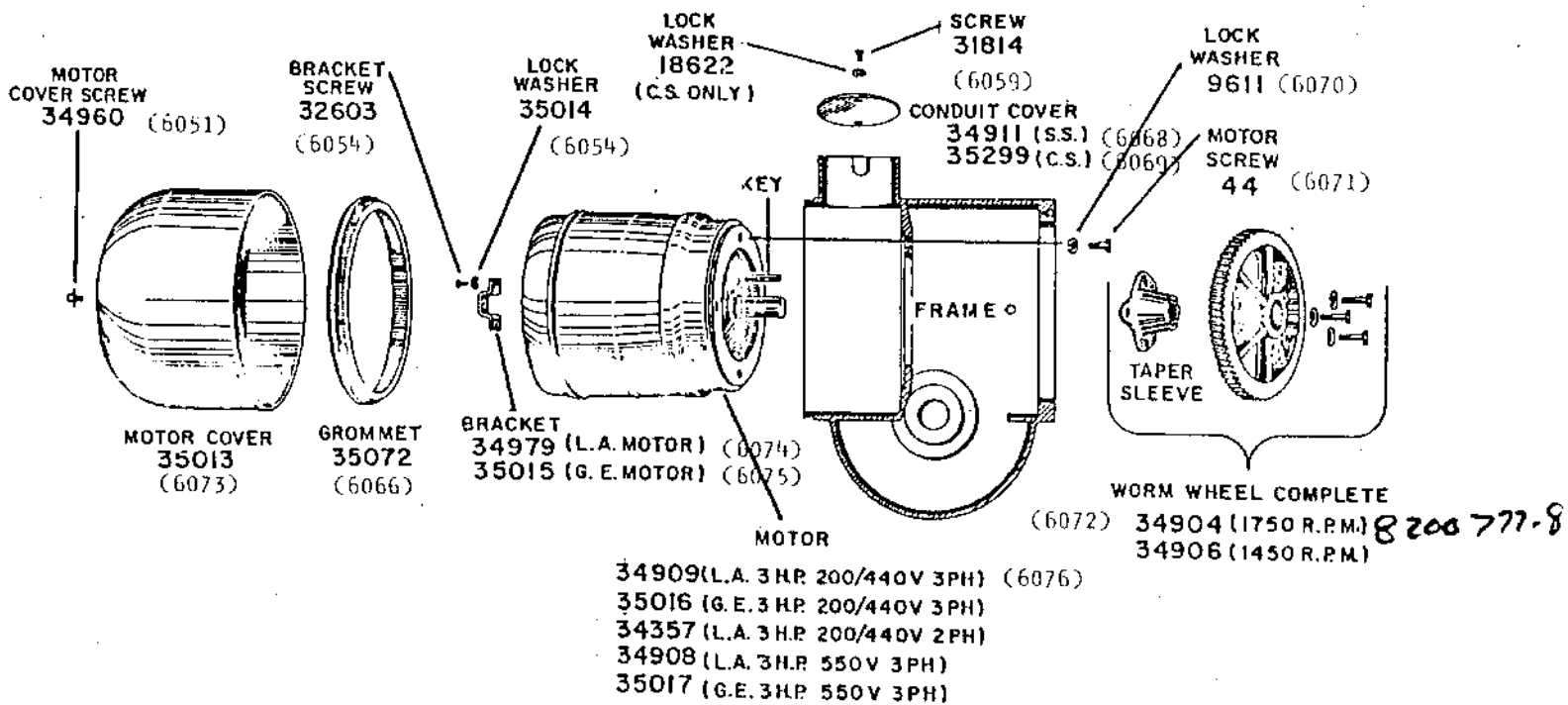


(S.S.) STAINLESS STEEL
 (C.S.) CARBON STEEL

USED ON 366, 370, 372, 372-H, 375 MACHINES.

MAY 1960

SECTION 1
 MOTOR AND WORM WHEEL
 D2

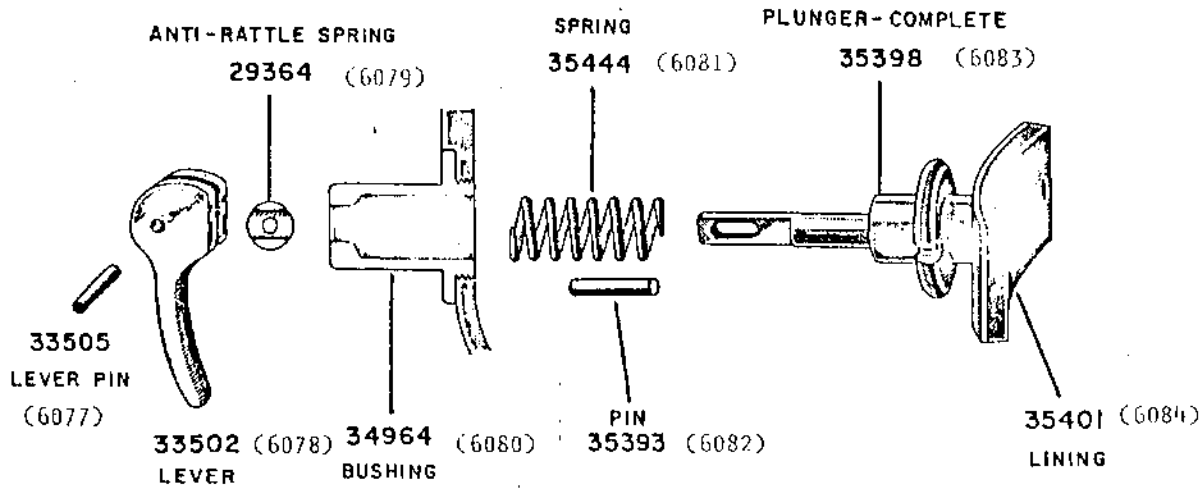


(S.S.) STAINLESS STEEL
(C.S.) CARBON STEEL

USED ON 388, 390, 392, 392-H, 3951 MACHINES.

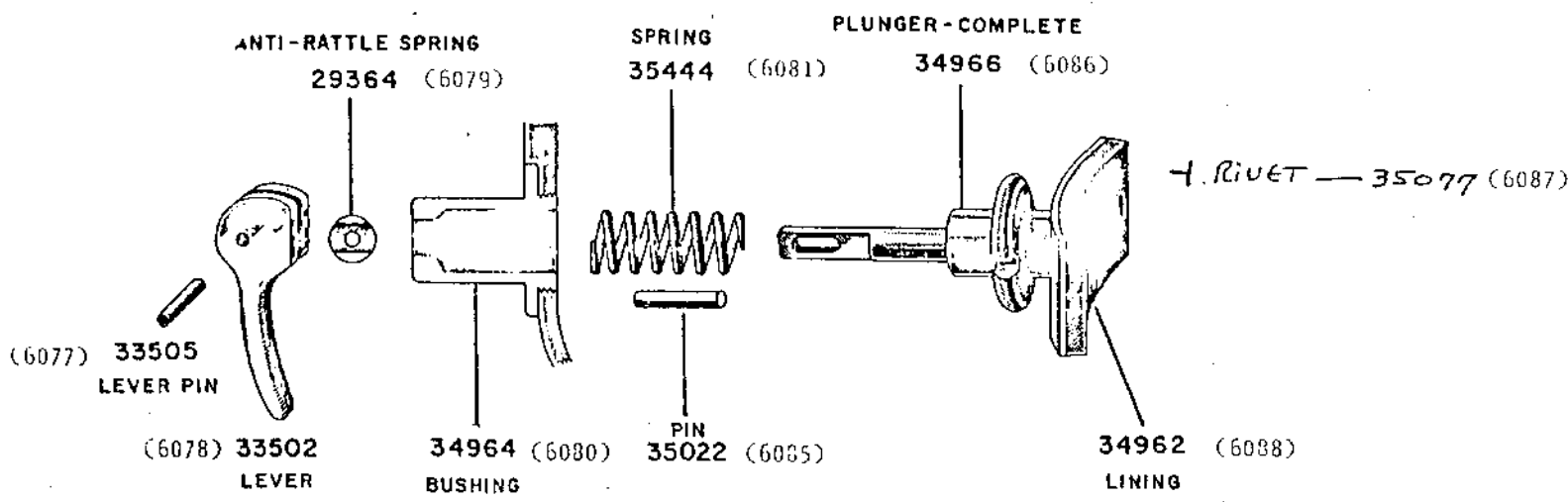
MAY, 1960

SECTION 1
MOTOR AND WORM WHEEL
D3



USED ON 336, 340, 342, 345 MACHINES

MAY 1960



Used on 366, 370, 372 Hot, 372 Cold, 372-H, 375, 388, 390, 392 Hot, 392 Cold, 392-H, 395 Machines.

MAY, 1960

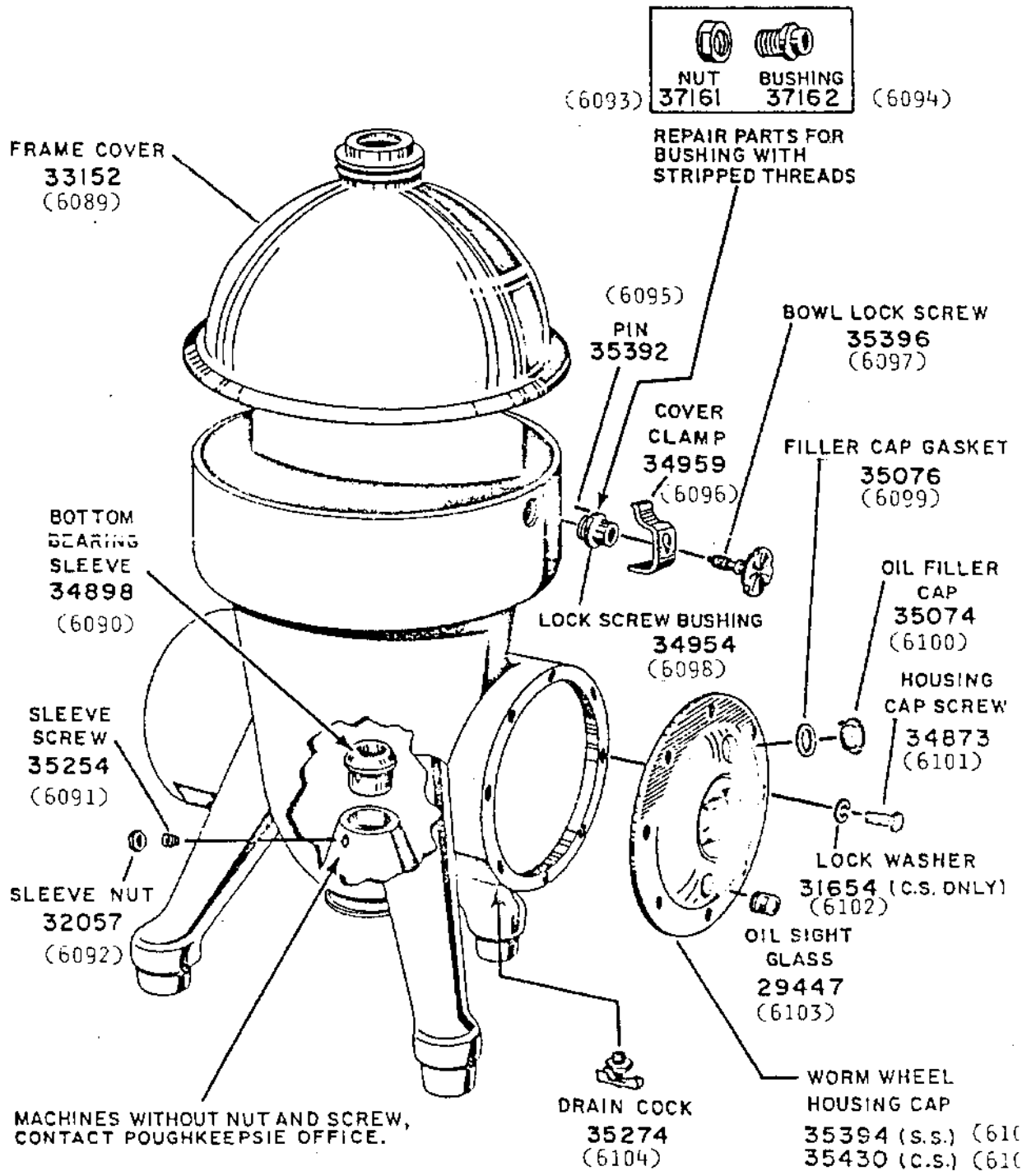
SECTION 1

MISC. FRAME
PARTS

F
1

MAY 1960

(S.S.) STAINLESS STEEL
(C.S.) CARBON STEEL



USED ON 336, 340, 342, 345 MACHINES

SECTION 1

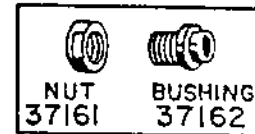
MISC. FRAME
PARTS

F 2

MAY 1960

	NAME	PART NO.	MACHINE
(6107)	LOCK SCREW	35080	366, 370, 372, 372-H, 375
(6108)	FRAME COVER	33158	
(6109)	LOCK SCREW	34865	388, 390, 392, 392-H, 395
(6110)	FRAME COVER	33164	

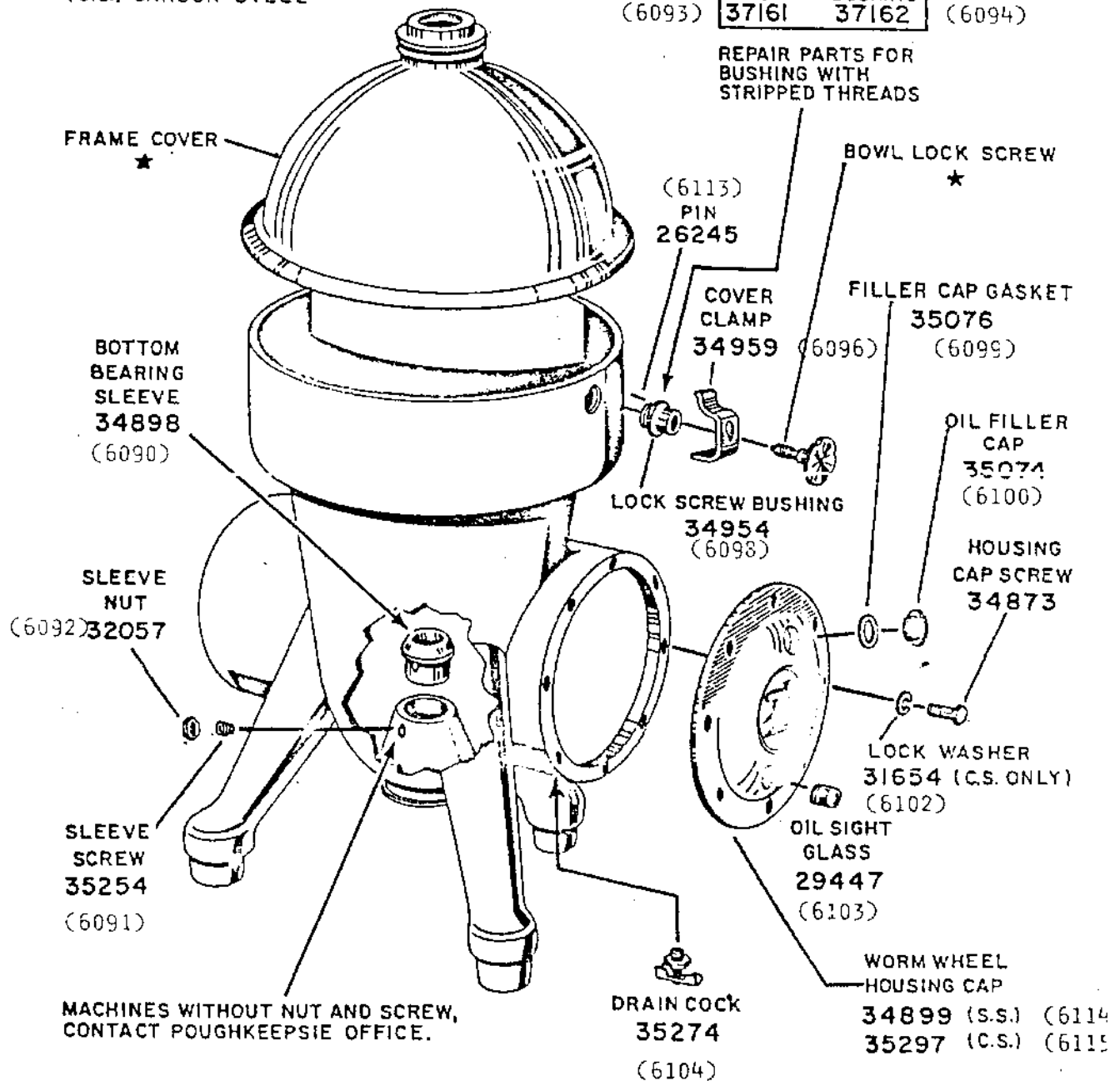
(S.S.) STAINLESS STEEL
(C.S.) CARBON STEEL



(6093)

REPAIR PARTS FOR
BUSHING WITH
STRIPPED THREADS

(6094)



USED ON 366, 370, 372 HOT, 372 COLD, 372-H, 388, 390, 392 HOT, 392 COLD, 392-H, 395 MACHINES.

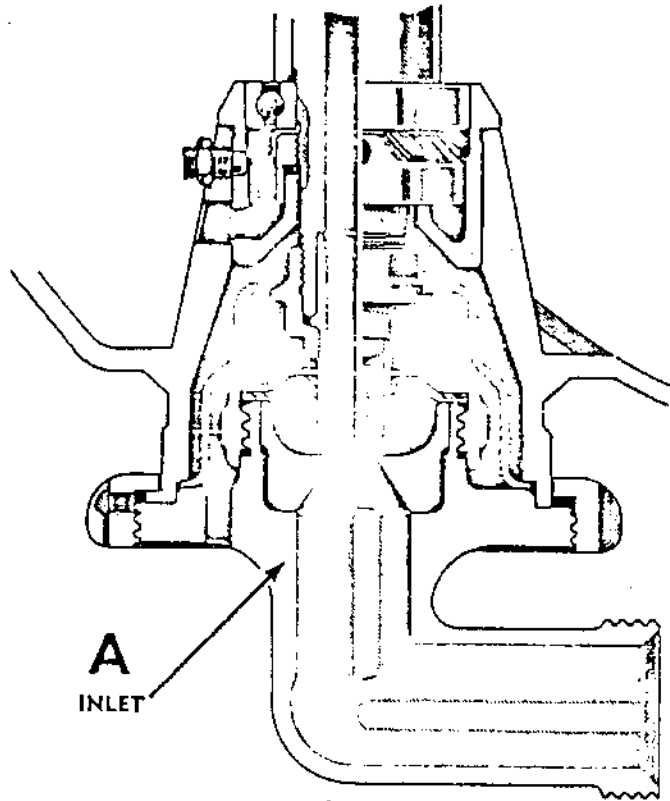
(EXCEPT AS NOTED)

SECTION 2
inlet

INLET

A

MAY 1960



SECTION 2

INLET PARTS
(OLD STYLE)

A

MAY 1960

★

MACHINE	PART NO.	
336, 340, 342 345, 366, 370 372, 372-H, 375	35081	(6116)
388, 390, 392, 395	34915	(6117)



COUPLING RING ——— 34917
(6118)



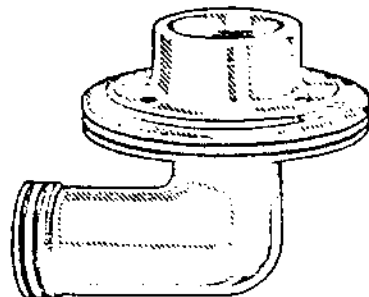
REINFORCING CUP ——— 34913
(6119)



SEAL ——— 31705
(6120)



REDUCER ——— ★



ELBOW ——— 34916
(6121)

(OLD STYLE)

USED ON ALL MACHINES
(EXCEPT AS NOTED)

SECTION 2

INLET PARTS
(NEW STYLE)

A₁

MAY, 1960

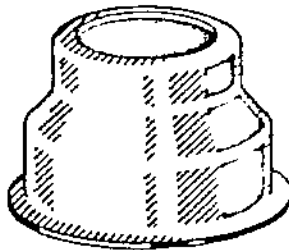
★

MACHINE	REDUCER	SEAL	LOCK NUT	
336, 340, 342, 345, 366, 370, 372, 372-H, 375	35081 (6116)	31705 (6120)	36414 (6123)	(6124)
388, 390, 392, 395	34915 (6117)	31705 (6120)	36414 (6123)	(6124)
392 L.P., 392-H	36630 (6122)	29933 (6121)	36631 (6124)	(6125)

(L.P.) LOW PRESSURE



COUPLING RING ——— 34917
(6118)



SPLASH RETAINING CUP ——— 38366
(6126)



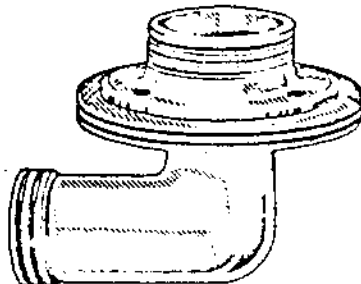
SEAL LOCK NUT ——— ★



SEAL ——— ★



REDUCER ——— ★



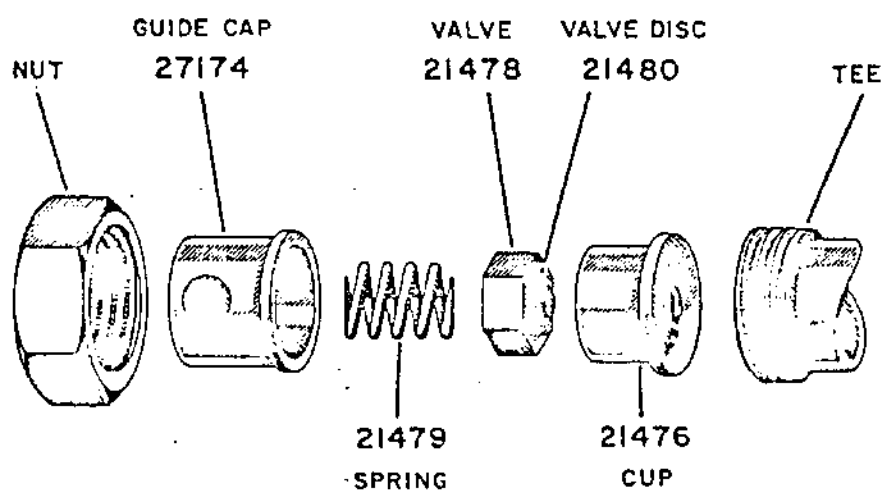
ELBOW ——— 36415
(6127)

(NEW STYLE)

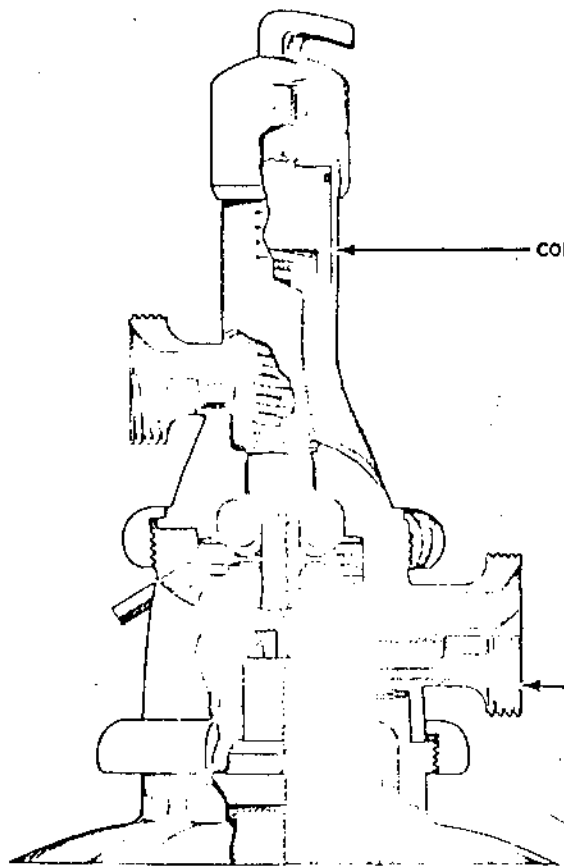
USED ON ALL MACHINES
(EXCEPT AS NOTED)

MAY 1960

AIR RELIEF VALVE COMPLETE
27180
(WHEN SPECIALLY ORDERED)



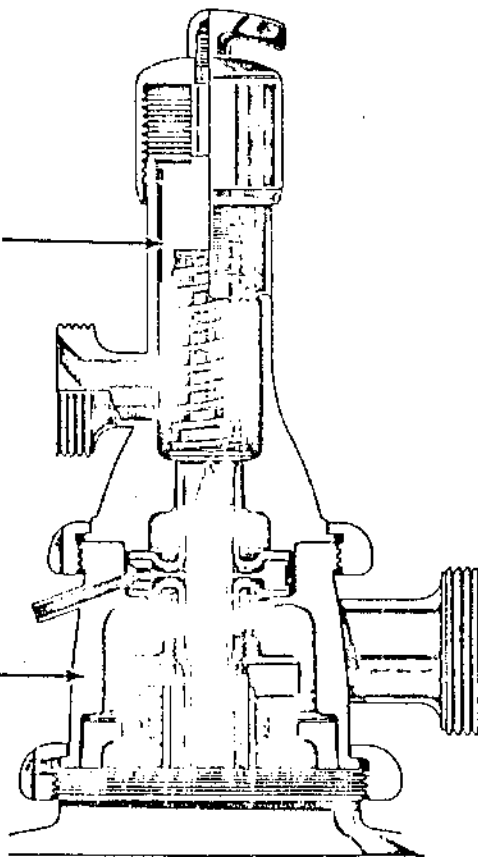
USED ON ALL MACHINES



USED ON 342 COLD, 342 HOT, 372 COLD, 372-H MACHINES

B
CONTROL VALVE

A
OUTLET



USED ON 392 COLD, 392 HOT 392-H MACHINES

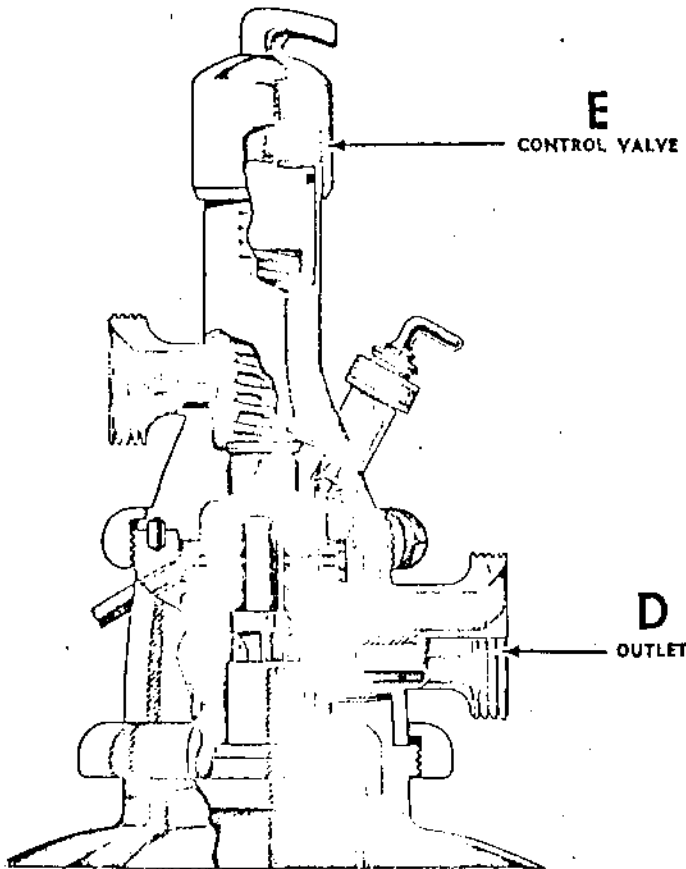
MAY 1960

OUTLETS AND CONTROL VALVE	A
	B
	C
	D
	E

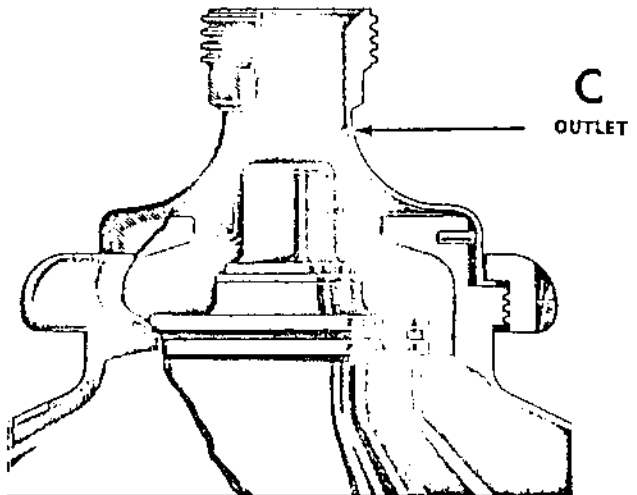
SECTION 3
outlet

SECTION 3
outlet

CONT'D
MAY 1960



USED ON 340, 345, 370, 375, 390, 395 MACHINES.



USED ON 336, 366, 388, MACHINES.

SECTION 3

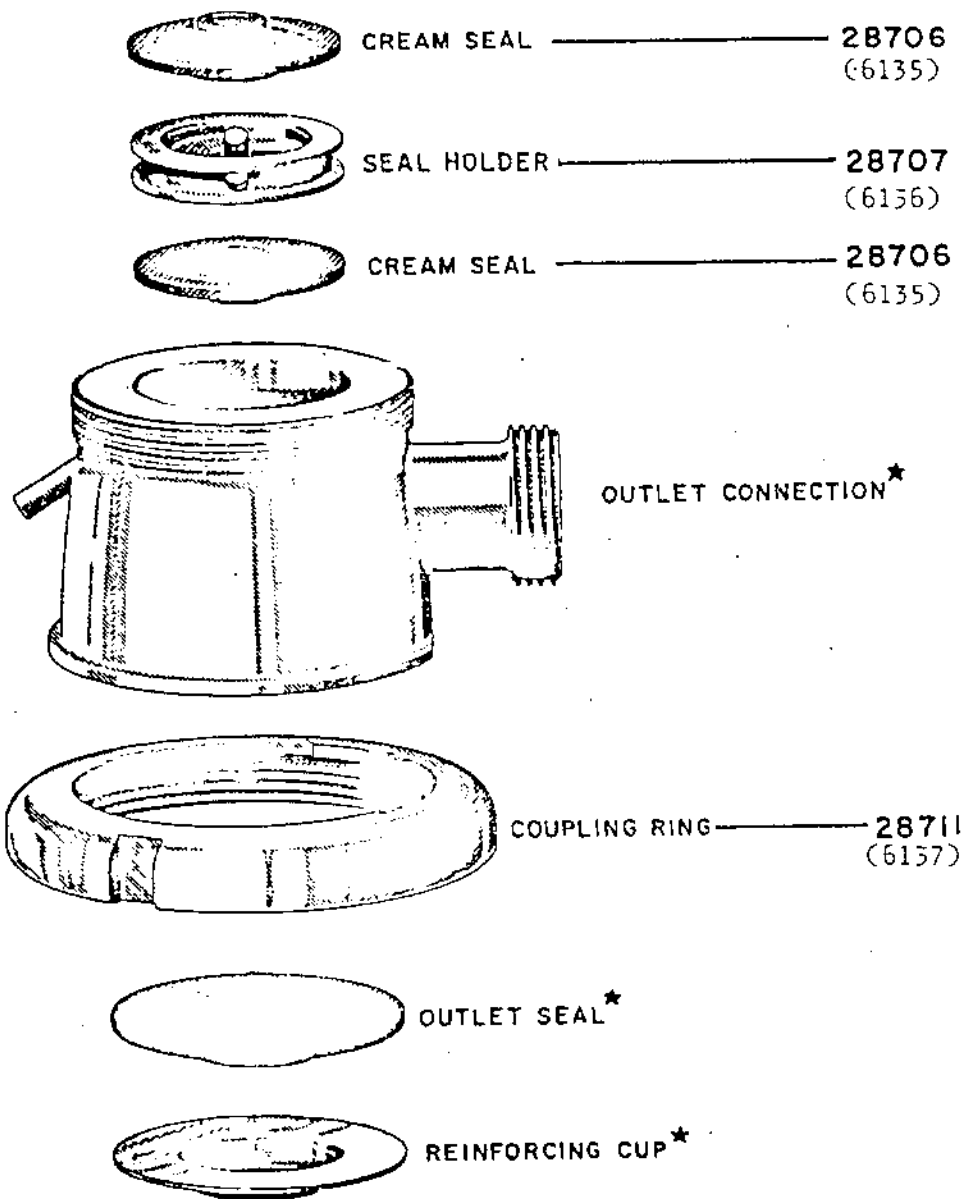
OUTLET PARTS

A

★

MACHINE	OUTLET CONNECTION	OUTLET SEAL	REINFORCING CUP
342 COLD, 342 HOT	34356 (6129)	17357 (6131)	17358 (6133)
372 COLD (R) 392 COLD (R) 392 HOT	32859 (6129)	17357 (6131)	17358 (6133)
392 COLD (L.P.) 372 COLD (L.P.) 372-H	32859	19216 (6132)	19217 (6134)
392-H	36628	19216	19217

(R) REGULAR (6130) (6132) (6134)
(L.P.) LOW PRESSURE



USED ON 342, 372 COLD, 372 HOT, 372-H, 392 COLD, 392 HOT
392-H MACHINES
(EXCEPT AS NOTED)

SECTION 3

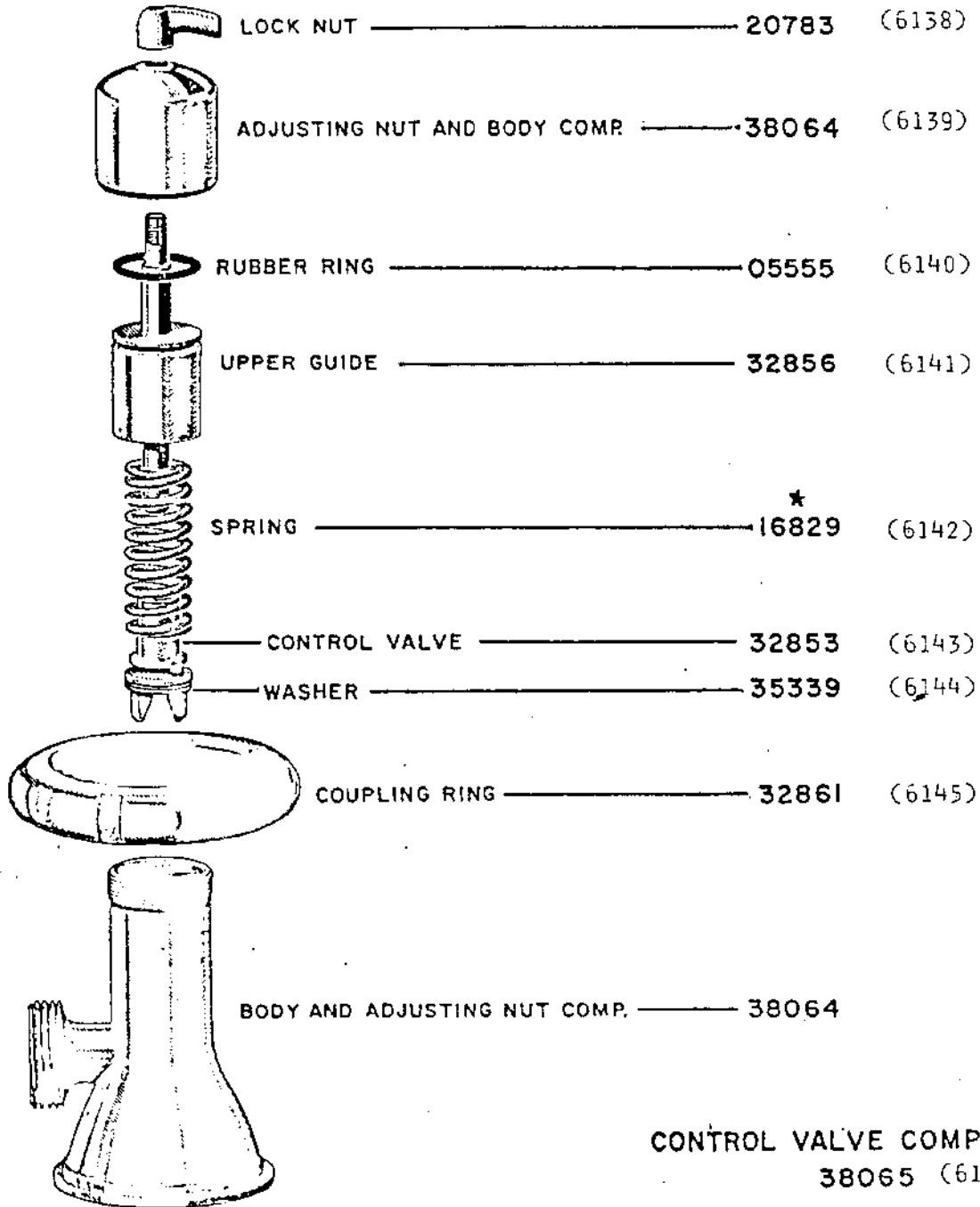
CONTROL
VALVE

B

MAY, 1960

★ SPRING
COMPRESSION
PROGRESSION

PART NO.
33285
32460
16829
19202



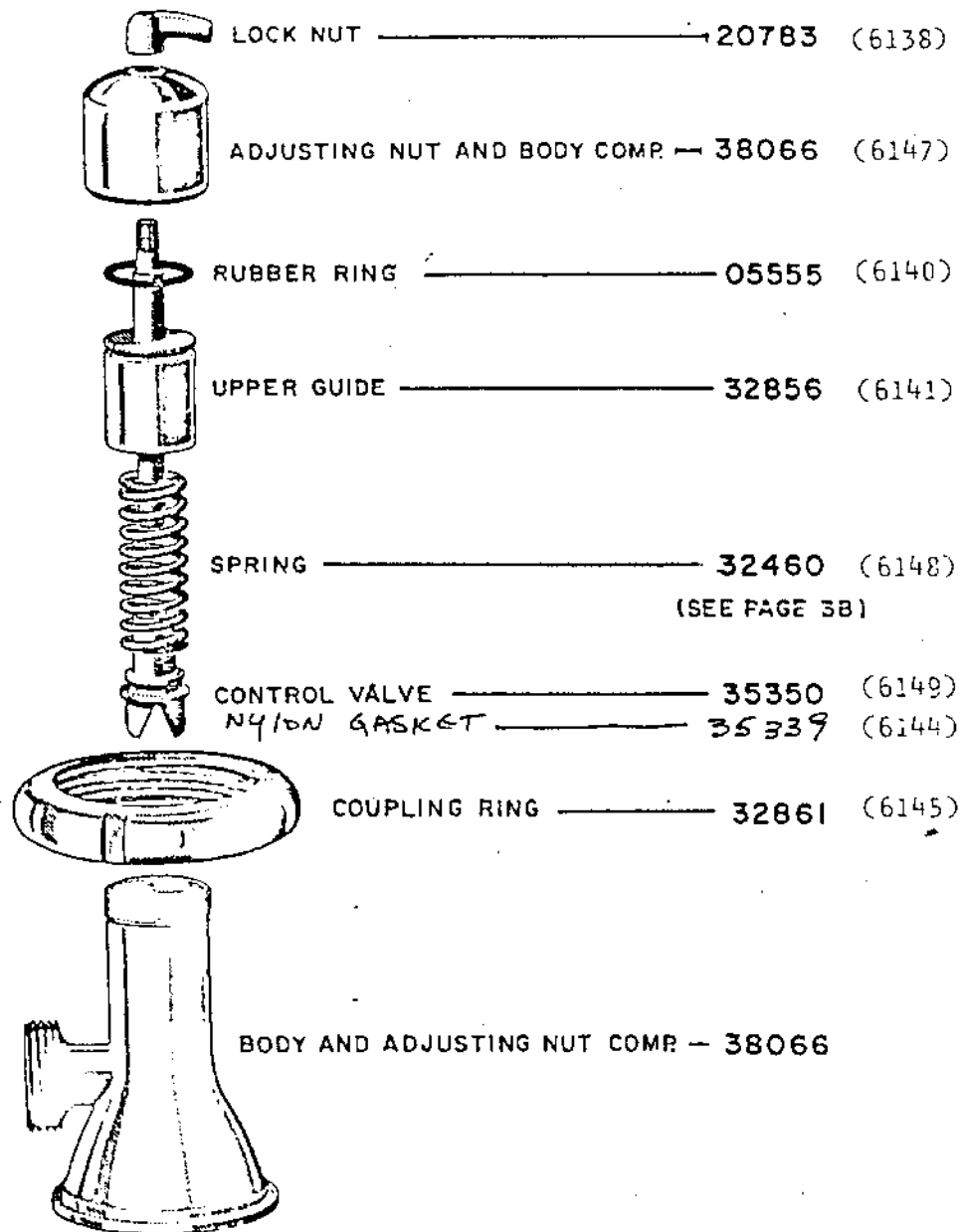
USED ON 342, 372 COLD, 372 HOT, 372-H, 392 COLD, 392 HOT
392-H MACHINES

SECTION 3

CONTROL
VALVE

B
2

MAY 1960



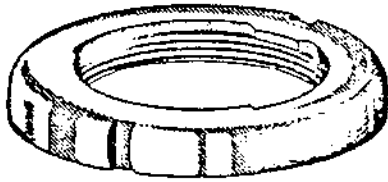
WHEY CONTROL VALVE COMPLETE 38067 (6150)

USED ON 342, 372, 392 MACHINES

SECTION 3

OUTLET
PARTS

C



COUPLING RING ——— 33170



OUTLET CONNECTION ——— 33171



SEAL ——— 17357 (6131)



REINFORCING CUP ——— 17358 (6133)

USED ON 336, 366, 388 MACHINES

SECTION 3

OUTLET
PARTS

D

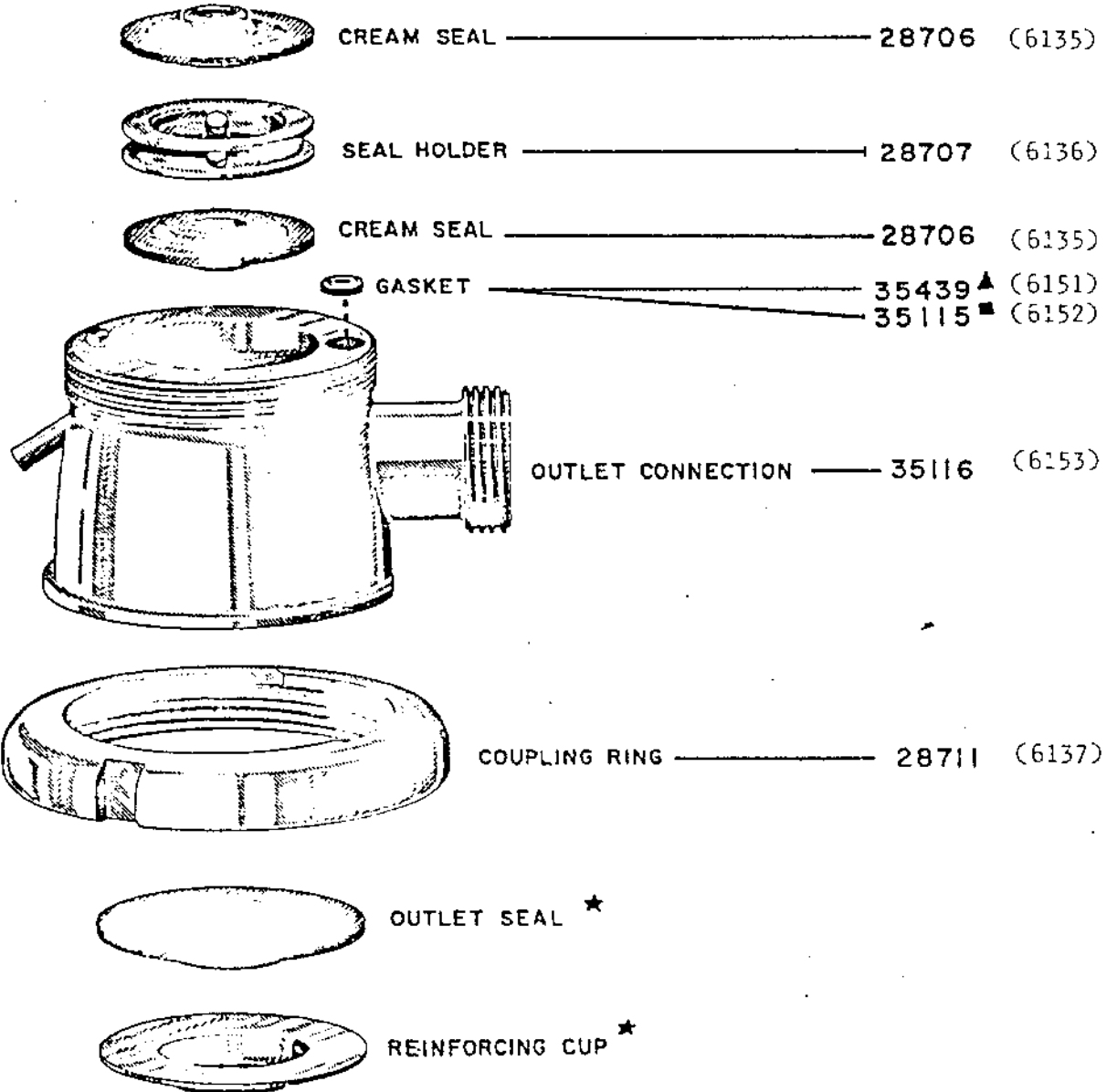
MAY 1960

★

MACH.	OUTLET SEAL	REINFORC- ING CUP
340	17357	17358
345	17357	17358
370	17357	17358
375	19216	19217
390	17357	17358
395	19216	19217

▲ FOR RECESSED VALVE

■ FOR FLAT SURFACED VALVE



USED ON 340, 345, 370, 375, 390, 395 MACHINES
(EXCEPT AS NOTED)

SECTION 3

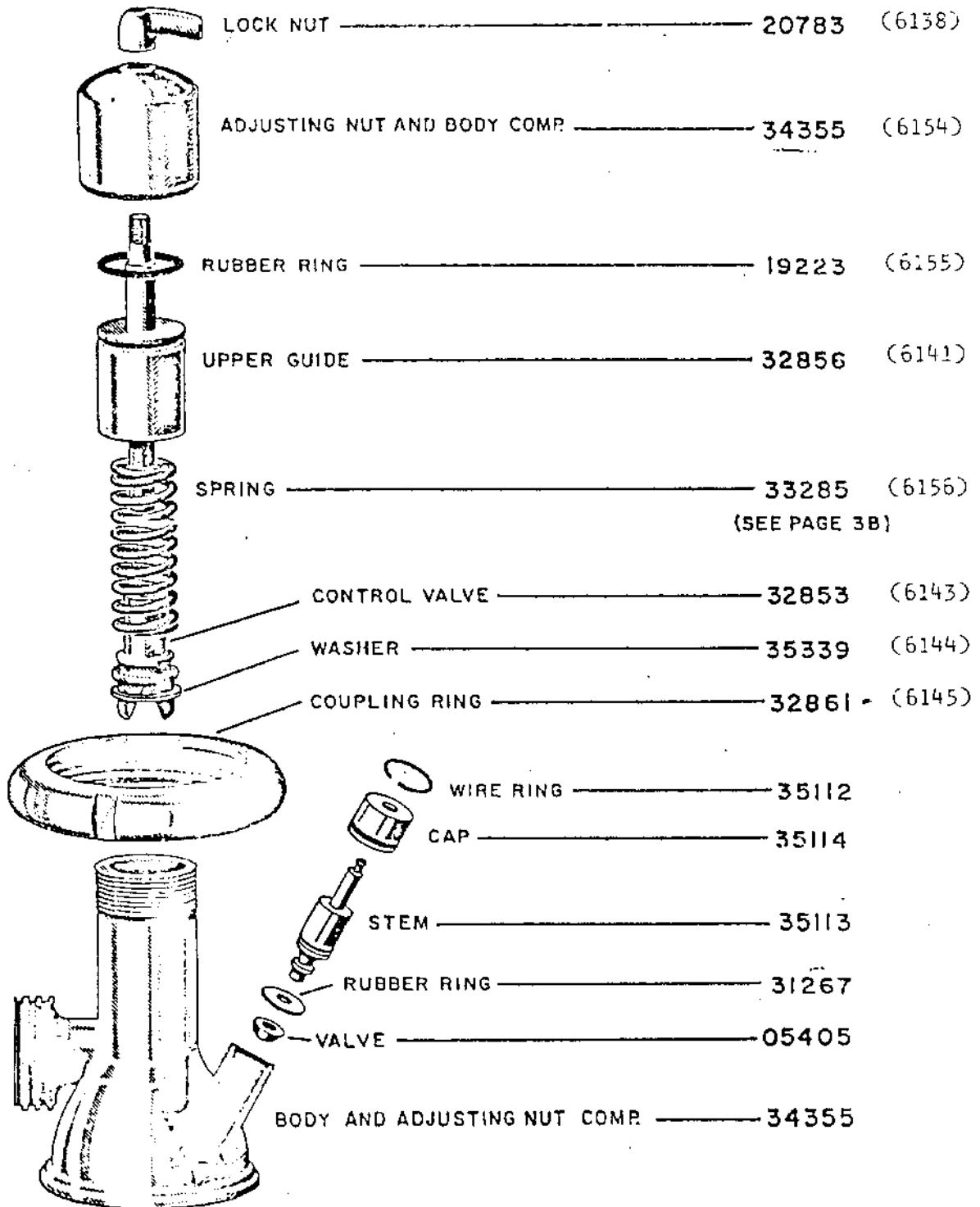
CONTROL
VALVE

E

CONTROL VALVE COMPLETE 35108

MAY, 1960

(OLD STYLE)



(OLD STYLE)

USED ON 340, 345, 370, 375, 390, 395 MACHINES

SECTION 3

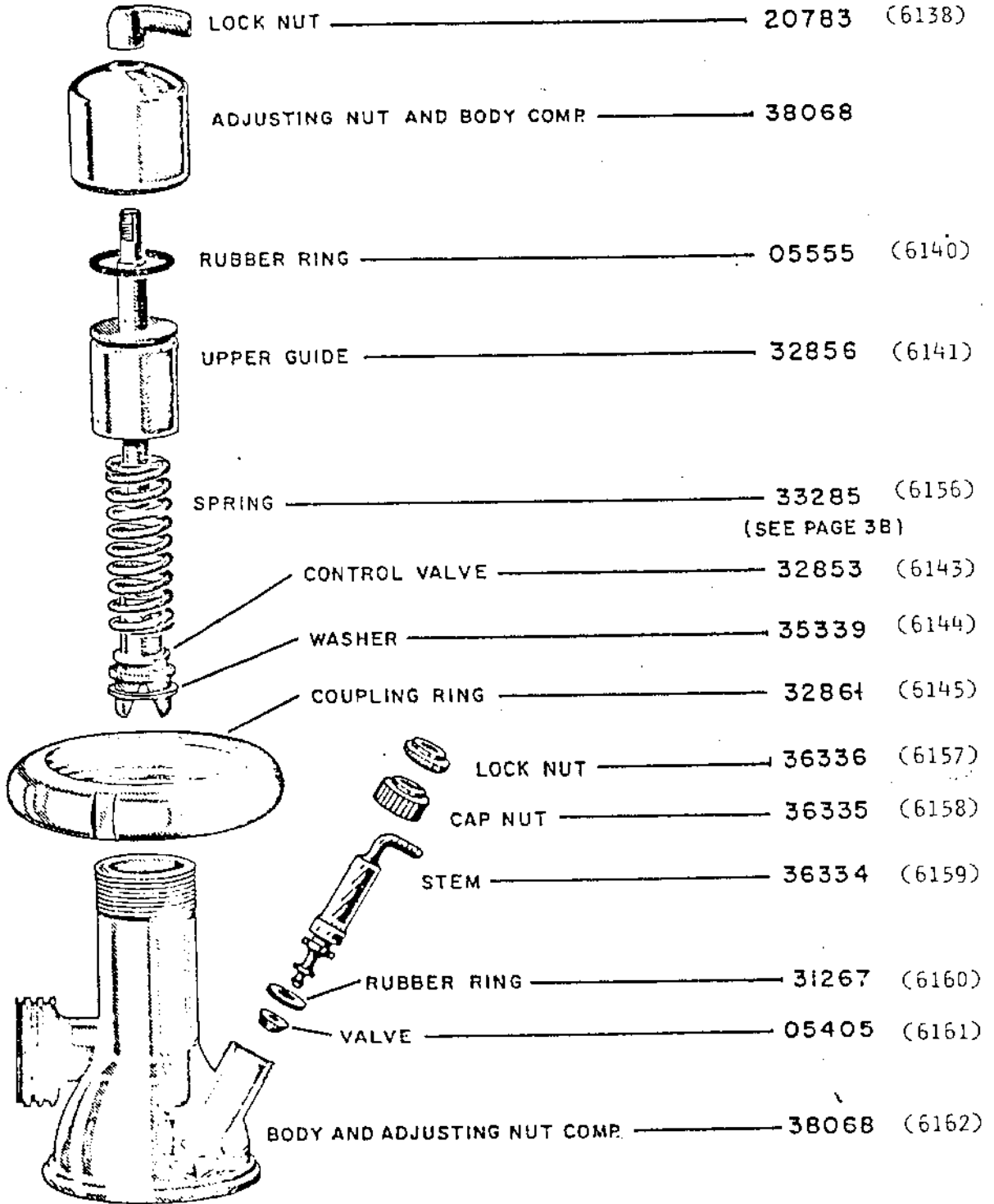
CONTROL
VALVE

E
1

CONTROL VALVE COMPLETE 38069

MAY, 1960

(NEW STYLE)



(NEW STYLE)

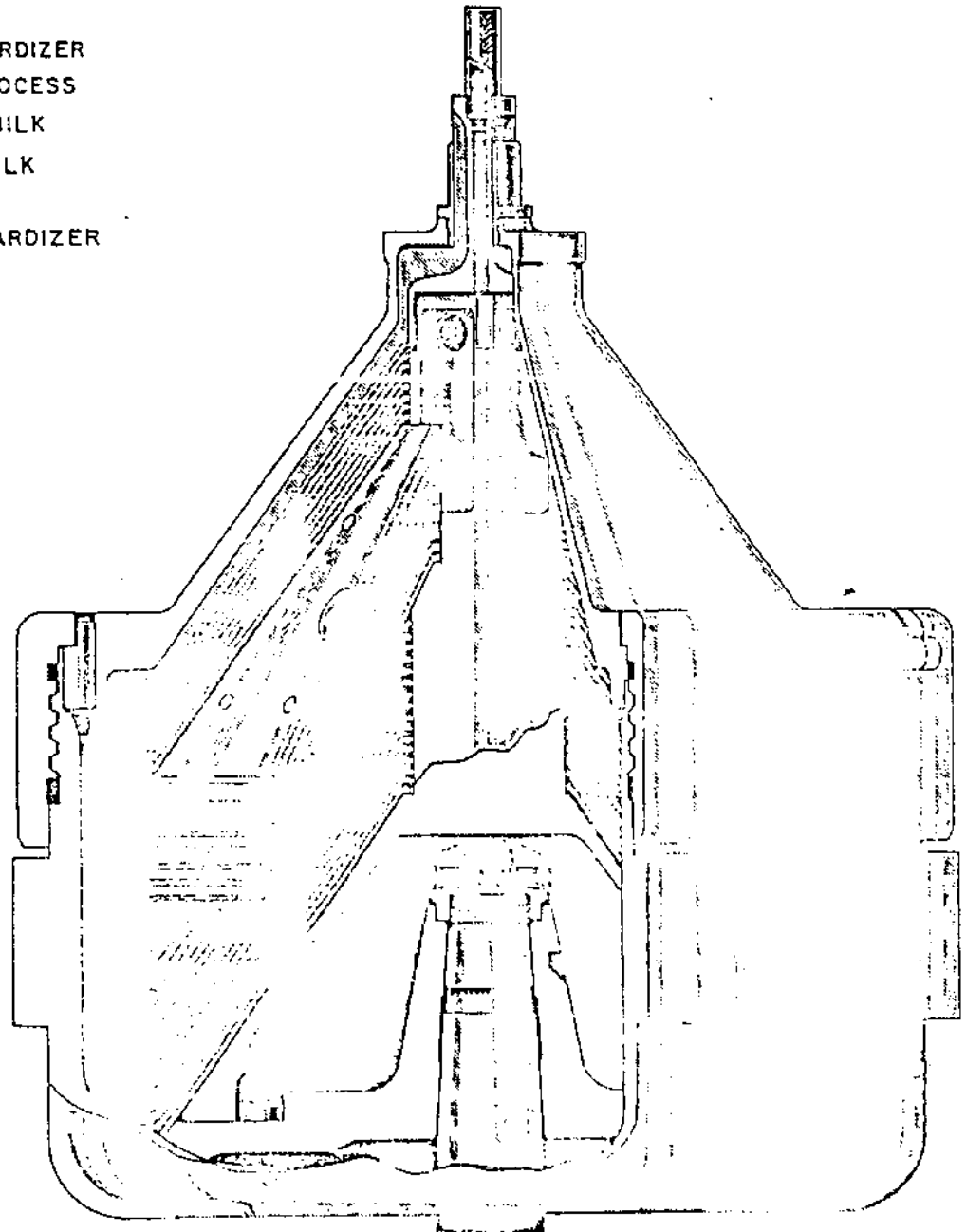
USED ON 340, 345, 370, 375, 390, 395 MACHINES

SECTION 4
bowl

SEPARATOR
TYPE

MAY, 1960

- A 340 TRI-PROCESS
- B 342 COLD MILK
- C 342 HOT MILK
- D 345 STANDARDIZER
- E 370 TRI-PROCESS
- F 372 COLD MILK
- G 372-H
- H 375 STANDARDIZER
- I 390 TRI-PROCESS
- J 392 COLD MILK
- K 392 HOT MILK
- L 392-H
- M 395 STANDARDIZER



SECTION 4

bowl

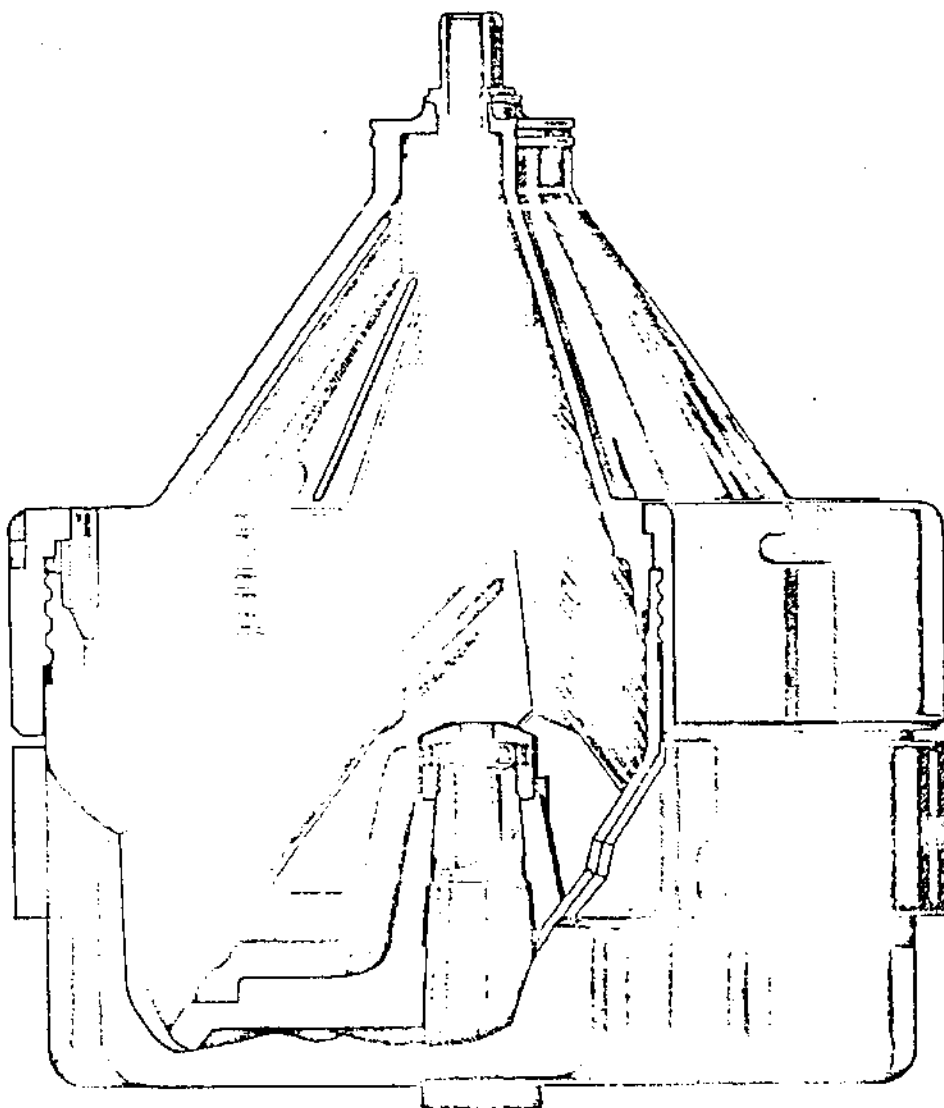
CLARIFIER
TYPE

MAY, 1960

N 336 CLARIFIER

O 366 CLARIFIER

P 388 CLARIFIER



SECTION 4

BOWL

A

MAY 1960

(SPECIAL -.050" CAULKS)



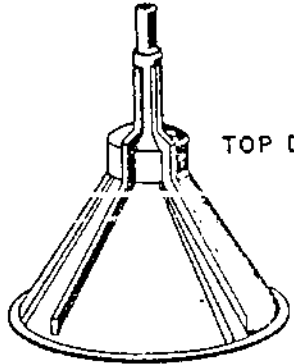
WEARING SLEEVE ————— 19644 (6163)



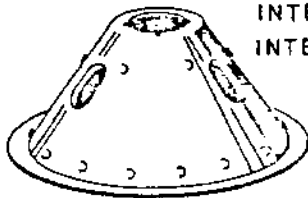
OUTLET SLEEVE ————— 27125 (6164)



BOWL RING ————— 28062 (6165)

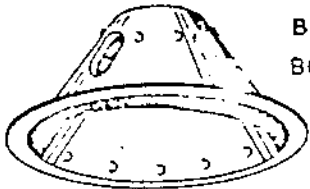


TOP DISC ————— 33654



INTERMEDIATE DISC (REGULAR) ——— 33659

INTERMEDIATE DISC (SPECIAL) ——— 35202



BOTTOM DISC (REGULAR) ————— 33657

BOTTOM DISC (SPECIAL) ————— 35203

340 BOWL

SECTION 4

BOWL

B

MAY, 1960

(SPECIAL-.050" CAULKS)



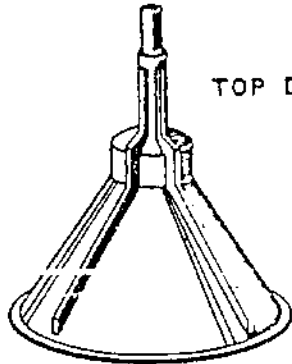
WEARING SLEEVE ————— 19644 (6163)



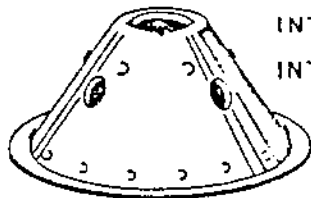
OUTLET SLEEVE ————— 27125 (6164)



BOWL RING ————— 28062 (6165)

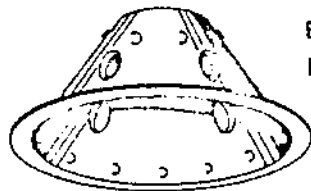


TOP DISC (REGULAR) ————— 31872



INTERMEDIATE DISC (REGULAR) ——— 31876

INTERMEDIATE DISC (SPECIAL) ——— 35199



BOTTOM DISC (REGULAR) ————— 31877

BOTTOM DISC (SPECIAL) ————— 35198


342 COLD BOWL


SECTION 4


BOWL

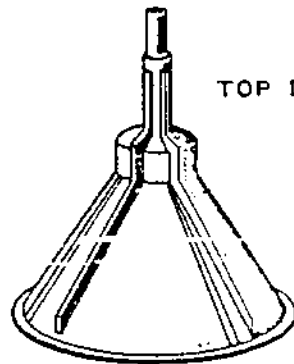
B
I

MAY, 1960

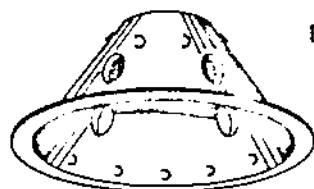
 WEARING SLEEVE _____ 19644 (6163)

 OUTLET SLEEVE _____ 27125 (6164)

 BOWL RING _____ 28062 (6165)

 TOP DISC _____ 33654

 INTERMEDIATE DISC _____ 31876

 BOTTOM DISC _____ 31877

342 COLD BOWL

(SPECIAL)


(FOR TRI-PROCESS USE)


SECTION 4


BOWL

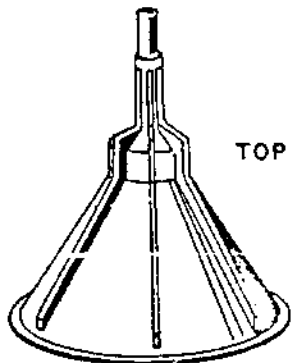
C.

MAY 1960

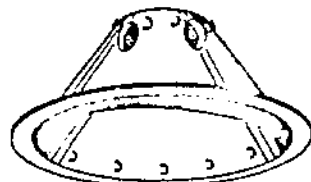
 WEARING SLEEVE ————— 27108 (6166)

 OUTLET SLEEVE ————— 27125 (6164)

 BOWL RING ————— 28062 (6165)

 TOP DISC ————— 31637

 INTERMEDIATE DISC ————— 19349

 BOTTOM DISC ————— 19351

342 HOT BOWL

SECTION 4

BOWL

D

(SPECIAL -.050" CAULKS)

MAY, 1960



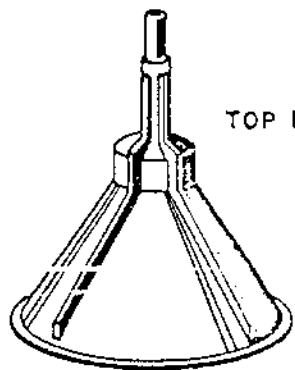
WEARING SLEEVE ————— 19644 (6163)



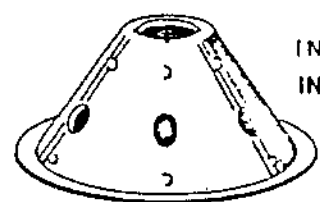
OUTLET SLEEVE ————— 27125 (6164)



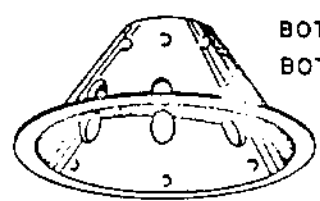
BOWL RING ————— 28062 (6165)



TOP DISC ————— 35278



INTERMEDIATE DISC (REGULAR) — 33094
INTERMEDIATE DISC (SPECIAL) — 35196



BOTTOM DISC (REGULAR) — 33096
BOTTOM DISC (SPECIAL) — 35197

345 BOWL

SECTION 4

BOWL

E

MAY 1960

(SPECIAL - .050" CAULKS)



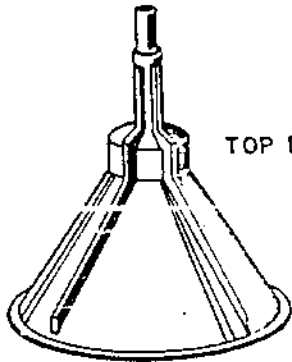
WEARING SLEEVE _____ 19644 (6163)



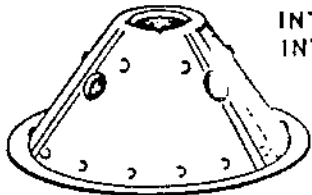
OUTLET SLEEVE _____ 27125 (6164)



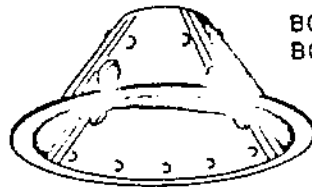
BOWL RING _____ 31145 (6167)



TOP DISC _____ 33732



INTERMEDIATE DISC (REGULAR) _____ 35931
INTERMEDIATE DISC (SPECIAL) _____ 35937



BOTTOM DISC (REGULAR) _____ 35933
BOTTOM DISC (SPECIAL) _____ 35938

370 BOWL

SECTION 4

BOWL

F

(SPECIAL - .050" CAULKS)

MAY, 1960



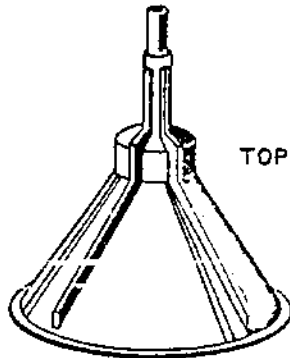
WEARING SLEEVE ————— 19644 (6163)



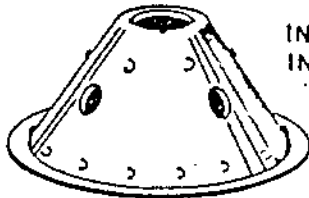
OUTLET SLEEVE ————— 32563 (6168)



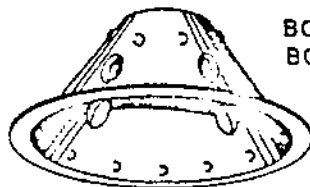
BOWL RING ————— 31145 (6167)



TOP DISC ————— 36756



INTERMEDIATE DISC (REGULAR) ——— 35931
INTERMEDIATE DISC (SPECIAL) ——— 35937



BOTTOM DISC (REGULAR) ————— 35933
BOTTOM DISC (SPECIAL) ————— 35938

372 COLD BOWL


(LOW PRESSURE)


SECTION 4


BOWL

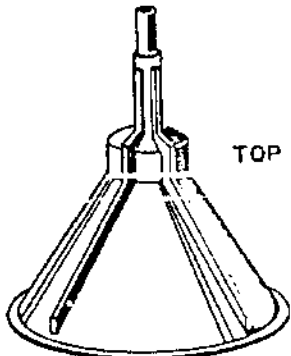
F₁

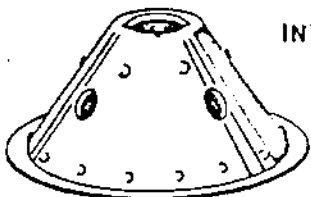
MAY, 1960

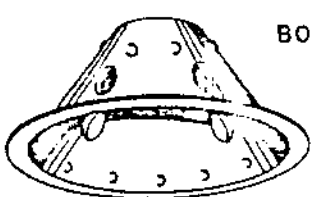
 WEARING SLEEVE ————— 19644 (6163)

 OUTLET SLEEVE ————— 27125 (6164)

 BOWL RING ————— 31145 (6167)

 TOP DISC ————— 31925

 INTERMEDIATE DISC ————— 32047

 BOTTOM DISC ————— 32049

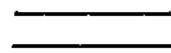
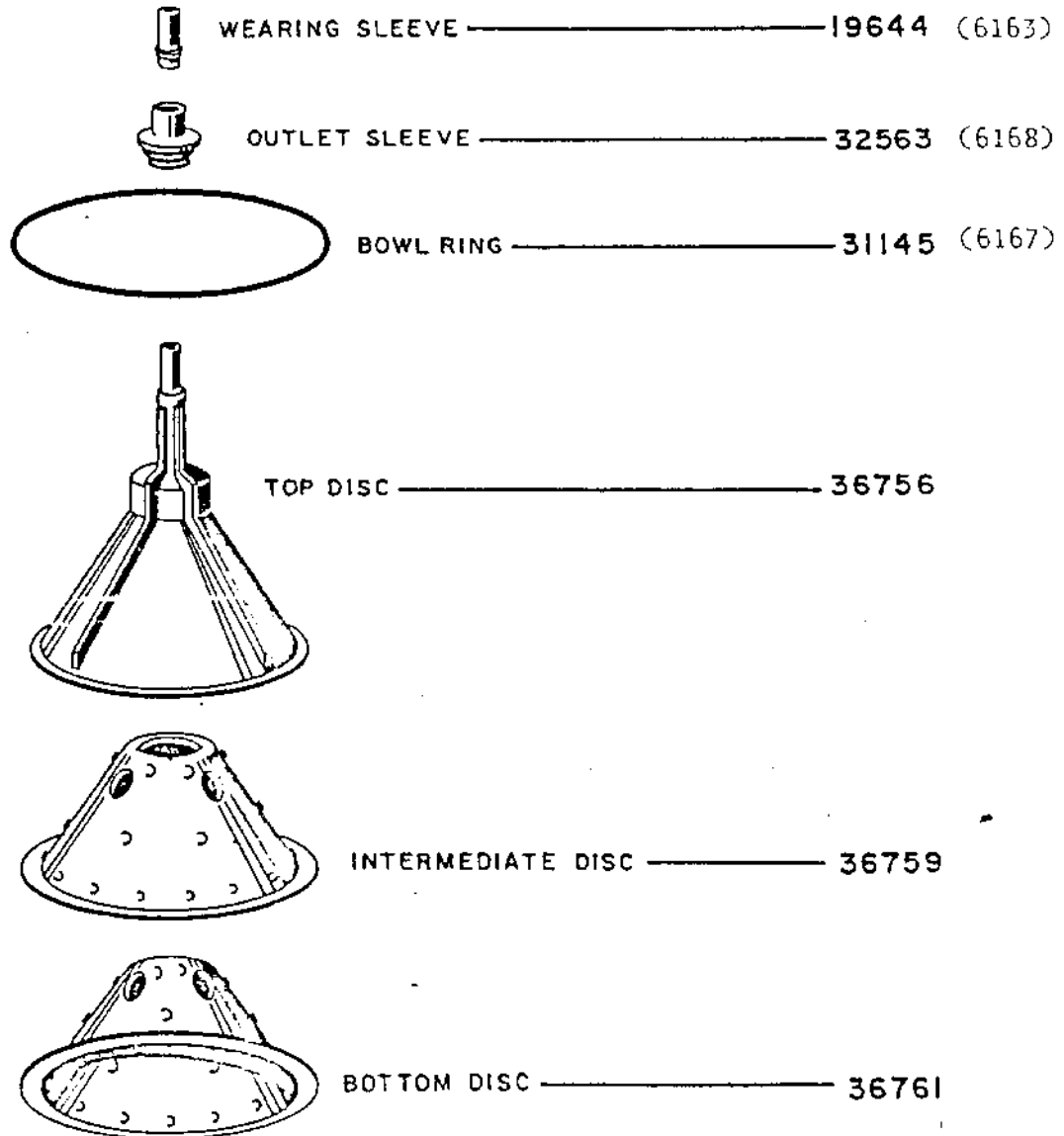
372 COLD BOWL
(REGULAR)

SECTION 4

BOWL

G

MAY, 1960



372-H BOWL

SECTION 4

BOWL

H

(SPECIAL-.050" CAULKS)

MAY, 1960



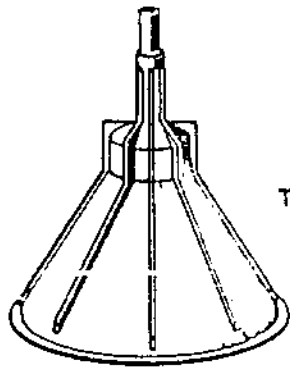
WEARING SLEEVE _____ 19644 (6163)



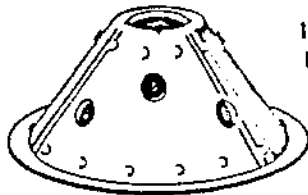
OUTLET SLEEVE _____ 32563 (6168)



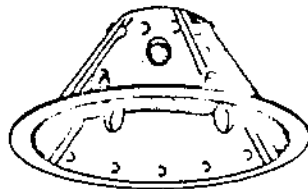
BOWL RING _____ 31145 (6167)



TOP DISC _____ 35279



INTERMEDIATE DISC (REGULAR) _____ 35941
INTERMEDIATE DISC (SPECIAL) _____ 35947



BOTTOM DISC (REGULAR) _____ 35943
BOTTOM DISC (SPECIAL) _____ 35948

375 BOWL

SECTION 4


BOWL

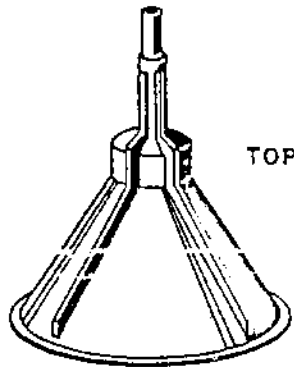
MAY, 1960

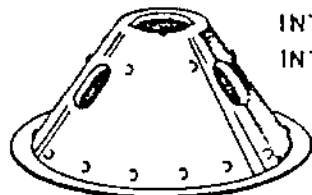
(SPECIAL-.050" CAULKS)

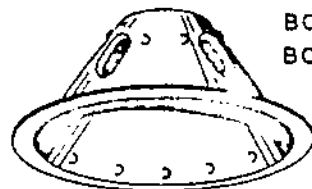
 WEARING SLEEVE ————— 19644 (6163)

 OUTLET SLEEVE ————— 27126 (6169)

 BOWL RING ————— 34584 (6170)

 TOP DISC ————— 33732

 INTERMEDIATE DISC (REGULAR) ——— 35921
INTERMEDIATE DISC (SPECIAL) ——— 35927

 BOTTOM DISC (REGULAR) ————— 35923
BOTTOM DISC (SPECIAL) ————— 35928

390 BOWL

SECTION 4

(SPECIAL-.050" CAULKS)

BOWL

J

MAY 1960

★



UPPER IMPELLER PLATE — 36948



LOWER IMPELLER PLATE — 36949



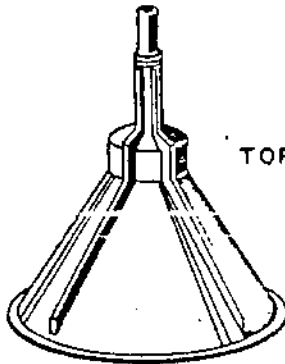
WEARING SLEEVE — 19644 (6163)



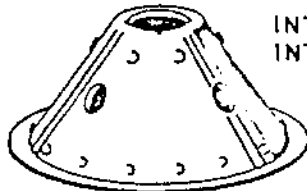
OUTLET SLEEVE — 32563 (6168)



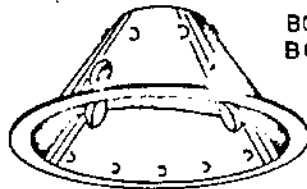
BOWL RING — 34584 (6170)



TOP DISC — 36620



INTERMEDIATE DISC (REGULAR) — 35901
INTERMEDIATE DISC (SPECIAL) — 35907



BOTTOM DISC (REGULAR) — 35903
BOTTOM DISC (SPECIAL) — 35908

★ FOR HOT OPERATION ONLY

392 COLD BOWL

(LOW PRESSURE)

SECTION 4

BOWL

J
1

MAY 1960



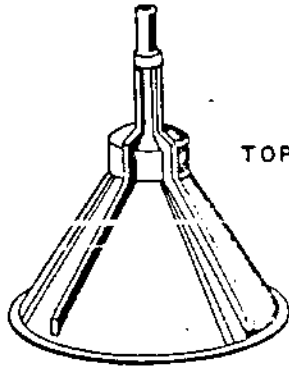
WEARING SLEEVE ————— 19644 (6163)



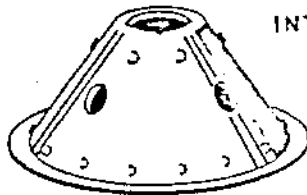
OUTLET SLEEVE ————— 27126 (6169)



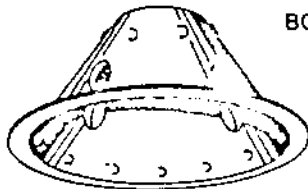
BOWL RING ————— 34584 (6170)



TOP DISC ————— 31930



INTERMEDIATE DISC ————— 31967



BOTTOM DISC ————— 31969


392 COLD BOWL (REGULAR)

SECTION 4


BOWL


K


MAY, 1960

 UPPER IMPELLER PLATE — 19288

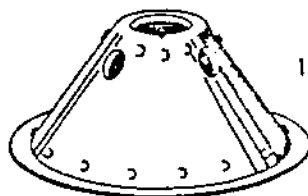
 LOWER IMPELLER PLATE — 19289

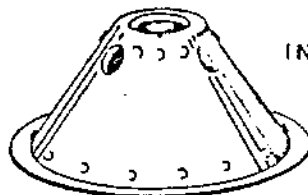
 WEARING SLEEVE — 27108 (6171)

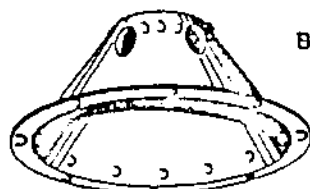
 OUTLET SLEEVE — 27126 (6169)

 BOWL RING — 34584 (6170)

 TOP DISC — 31428

 INTERMEDIATE TOP DISC — 18672
(DISCONTINUED)

 INTERMEDIATE DISC — 18673

 BOTTOM DISC — 16410

392 HOT BOWL

SECTION 4

BOWL

L

MAY, 1960



UPPER IMPELLER PLATE 36948



LOWER IMPELLER PLATE 36949



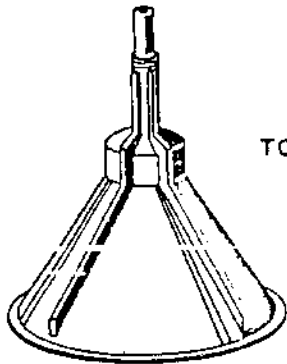
WEARING SLEEVE 19644 (6163)



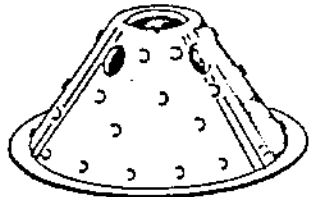
OUTLET SLEEVE 32563 (6168)



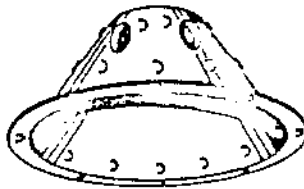
BOWL RING 34584 (6170)



TOP DISC 36620



INTERMEDIATE DISC 36621



BOTTOM DISC 36622

392-H BOWL

SECTION 4

BOWL

M

(SPECIAL-.050" CAULKS)

MAY 1960



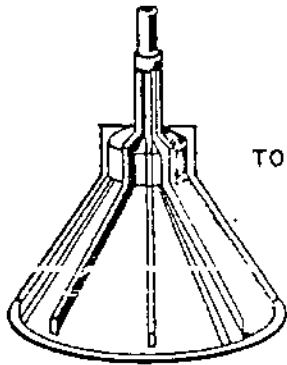
WEARING SLEEVE _____ 19644 (6163)



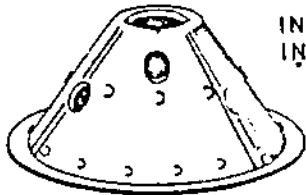
OUTLET SLEEVE _____ 32563 (6168)



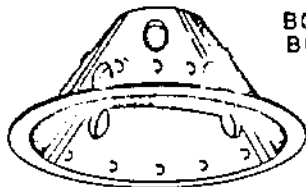
BOWL RING _____ 34584 (6170)



TOP DISC _____ 35280



INTERMEDIATE DISC (REGULAR) _____ 35911
INTERMEDIATE DISC (SPECIAL) _____ 35917



BOTTOM DISC (REGULAR) _____ 35913
BOTTOM DISC (SPECIAL) _____ 35918

395 BOWL

SECTION 4

BOWL

N

MAY, 1960

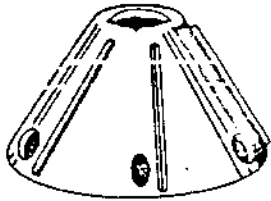
(TYPE A - SOLDERED CAULKS)
(TYPE B - UNSOLDERED CAULKS)



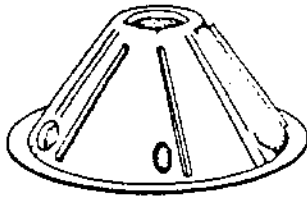
OUTLET SLEEVE ————— 27125 (6164)



BOWL RING ————— 28062 (6165)



INTERMEDIATE TOP DISC (TYPE A) — 31628
INTERMEDIATE TOP DISC (TYPE B) — 31629



INTERMEDIATE DISC (TYPE A) — 31631
INTERMEDIATE DISC (TYPE B) — 31632

336 BOWL

SECTION 4

BOWL



(TYPE A - SOLDERED CAULKS)
(TYPE B - UNSOLDERED CAULKS)

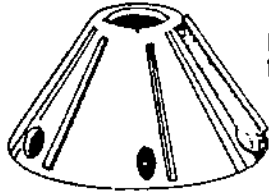
MAY 1960



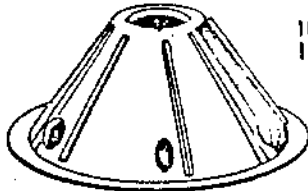
OUTLET SLEEVE ————— 27126 (6169)



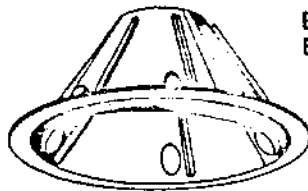
BOWL RING ————— 31145 (6167)



INTERMEDIATE TOP DISC (TYPE A) — 20436
INTERMEDIATE TOP DISC (TYPE B) — 17569



INTERMEDIATE DISC (TYPE A) — 20437
INTERMEDIATE DISC (TYPE B) — 17572



BOTTOM DISC (TYPE A) — 36008
BOTTOM DISC (TYPE B) — 36009

366 BOWL

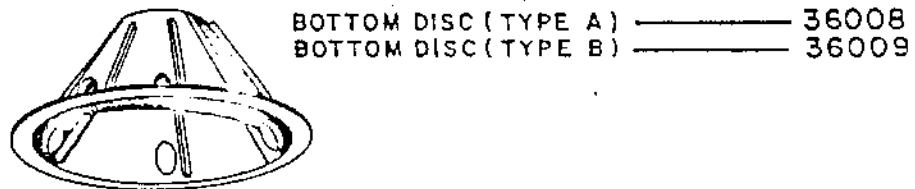
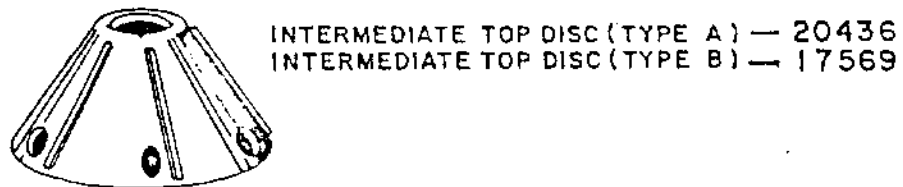
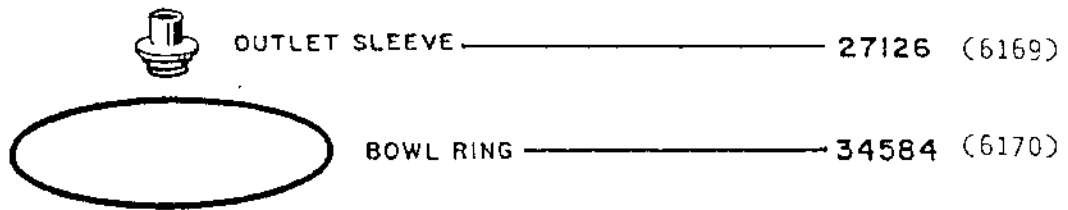
SECTION 4

BOWL

P

MAY, 1960

(TYPE A - SOLDERED CAULKS)
(TYPE B - UNSOLDERED CAULKS)



388 BOWL

SECTION 5

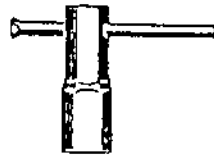
tools | A₁

★ 340 AND 345 ONLY
■ NOT USED ON 336
▲ NOT USED ON CLARIFIERS

MAY 1960



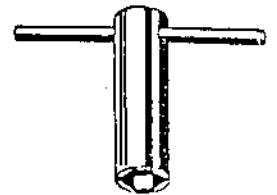
WIRE BASKET
17686
(6172)



NOZZLE LOCK NUT
WRENCH
30749
(6173)



BOWL SHELL LIFTER
27543
(6174)



JAM NUT WRENCH
30748
(6175)



BOWL TOP LIFTER
30933
(6176)

CONTROL VALVE BRUSH
★ 02905
(6177)



LIFTER HANDLE
19715
(6178)



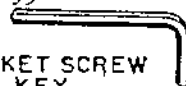
COUPLING RING
WRENCH
18701
(6179)



INLET AND OUTLET
COUPLING RING
WRENCH
19163
(6180)



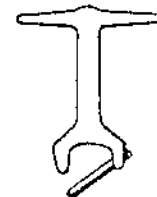
PROTECTING
COVER
30579
(6181)



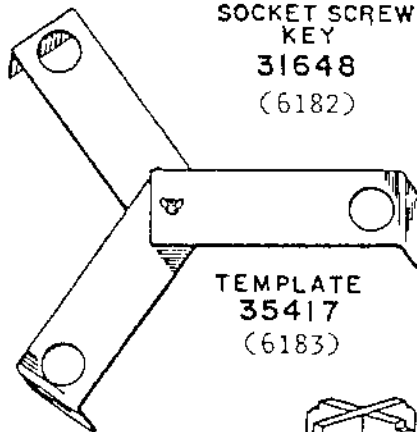
SOCKET SCREW
KEY
31648
(6182)



SCRAPER
15582
(6184)



SPINDLE CAP
NUT WRENCH
31356
(6185)



TEMPLATE
35417
(6183)



SPINDLE
BRUSH
16287
(6186)



DISC CARRIER
STAND
▲ 19161
(6187)



TOP DISC BRUSH
■ 16936
(6188)



PROTECTING
PLUG
18870
(6189)



DISC CARRIER
LIFTER
19713
(6190)

USED ON 336, 340, 342, 345 MACHINES
(EXCEPT AS NOTED)

CHAPTER 2
SECTION 5

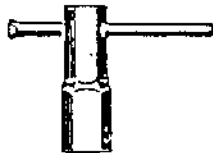
tools | A₂

- ★ 370, 375, 390, 395 ONLY
- NOT USED ON 366, 388
- ▲ NOT USED ON CLARIFIERS
- USED ON 366, 370, 372, 372-H AND 375 ONLY

April 1961
Supersedes May 1960



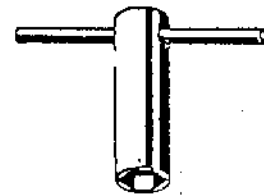
WIRE BASKET
17686
(6172)



NOZZLE LOCK NUT
WRENCH
30749
(6173)



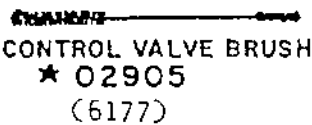
BOWL SHELL LIFTER
27557
(6191)



JAM NUT WRENCH
31473
(6192)



BOWL TOP LIFTER
22934
(6193)



CONTROL VALVE BRUSH
★ 02905
(6177)



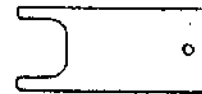
LIFTER HANDLE
19715
(6178)



COUPLING RING
WRENCH
16378 (6194)
● 16378 (6195)



INLET AND OUTLET
COUP RING WRENCH
19163
(6180)



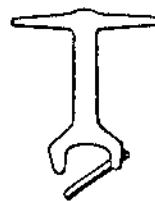
IMPELLER WRENCH
36950 (6196)
19290 (392 HOT ONLY)
(6197)



PROTECTING
PLUG
20191 (6198)
● 17114 (6199)



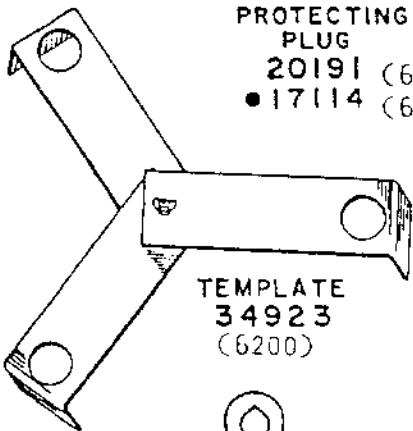
TOP DISC
BRUSH
■ 16936
(6188)



SPINDLE CAP
NUT WRENCH
19301
(6201)



SOCKET SCREW
KEY
31649
(6202)



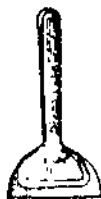
TEMPLATE
34923
(6200)



SPINDLE
BRUSH
16287
(6186)



DISC CARRIER
LIFTER
19713
(6203)



SCRAPER
15582
(6184)



DISC CARRIER
STAND
▲ 36877 (6204)
● 9270 (6205)



PROTECTING
COVER
30565 (6206)
● 30566 (6207)

USED ON 366, 370, 372 372-H, 375, 388 390,
392 HOT, 392 COLD, 392-H, 395 MACHINES.