



Hutchison Hayes Separation Inc.



RenderPure Separator

Model 845

Section 4

Spare parts manual

Contents

3.1 Bowl

3.1.1 Bowl Inlet and Outlet

3.1.2 Bowl Bottom

3.1.3 Bowl sealing and coupling

3.1.4 Shoot control valve

3.2 Frame

3.2.1 Base

3.2.2 Spindle pack

3.2.3 Drive

3.2.4 W.O.D (Water Device)

3.2.5 Cyclone

3.2.6 Sump

3.2.7 Solids Collector

3.2.8 Access Door & Brake

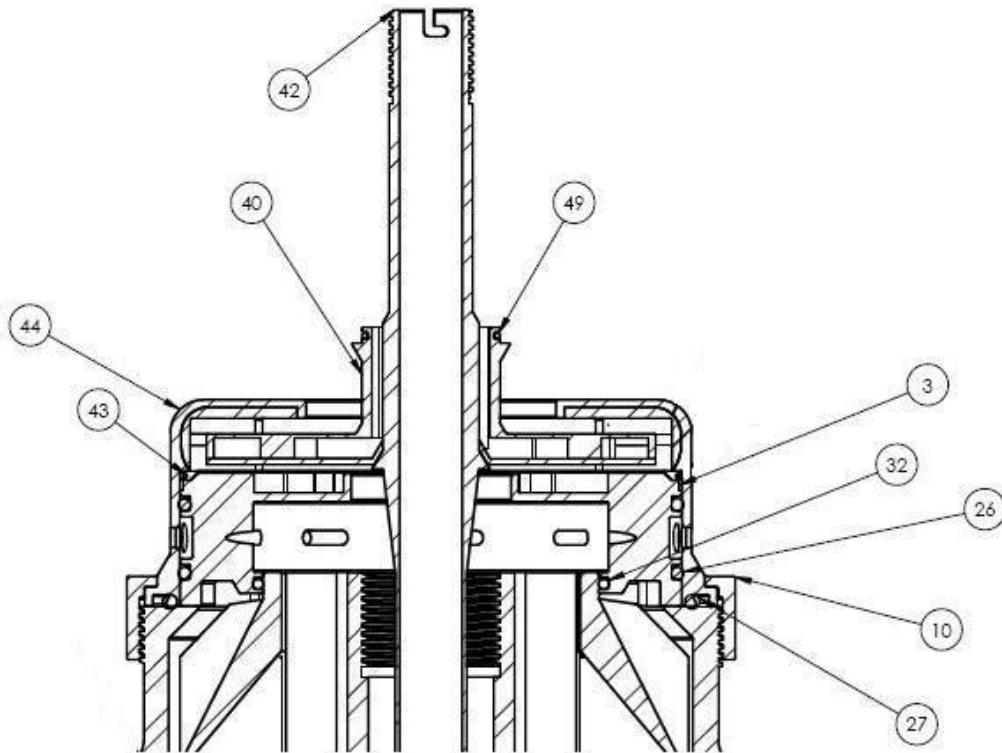
3.2.9 Hood

3.2.10 Inlet & Outlet

3.2.11 Operating Water Assembly

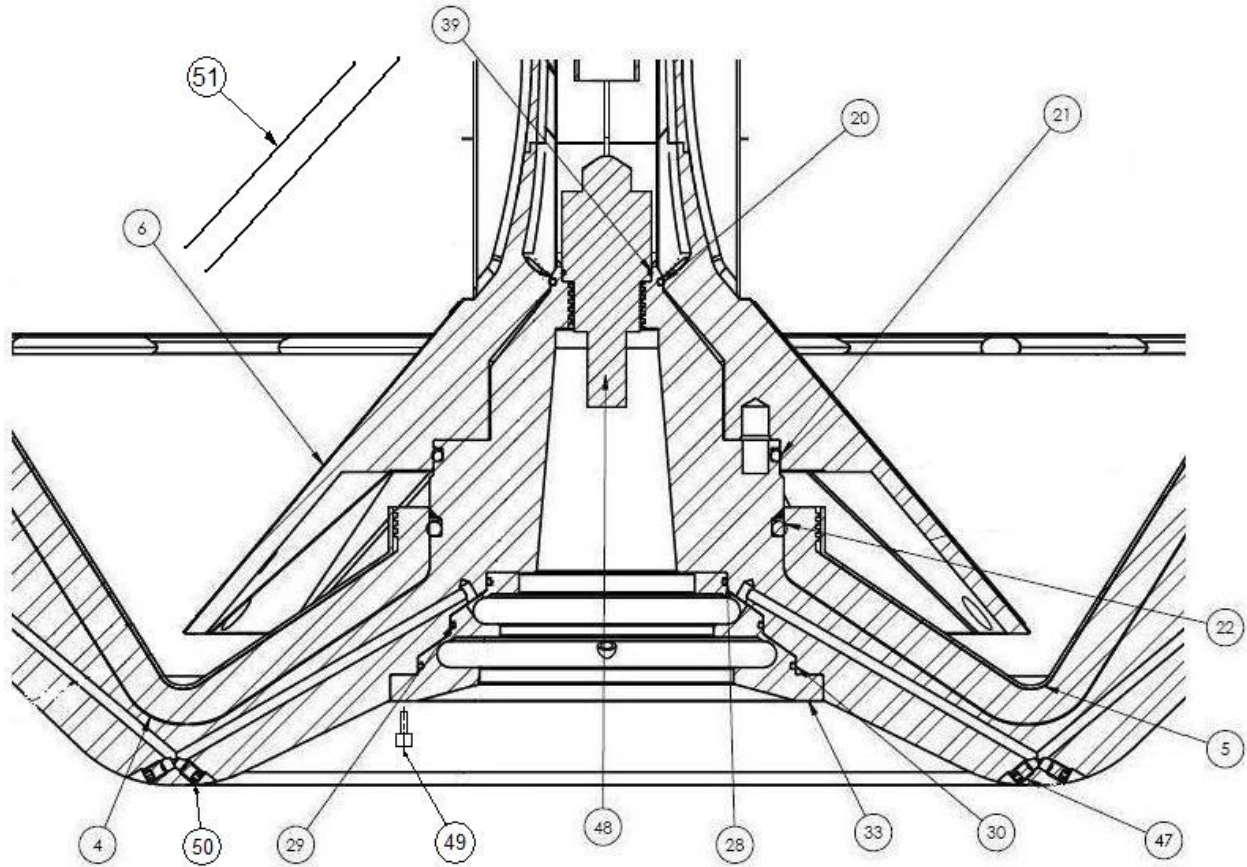
3.3 Tools

3.1 Bowl



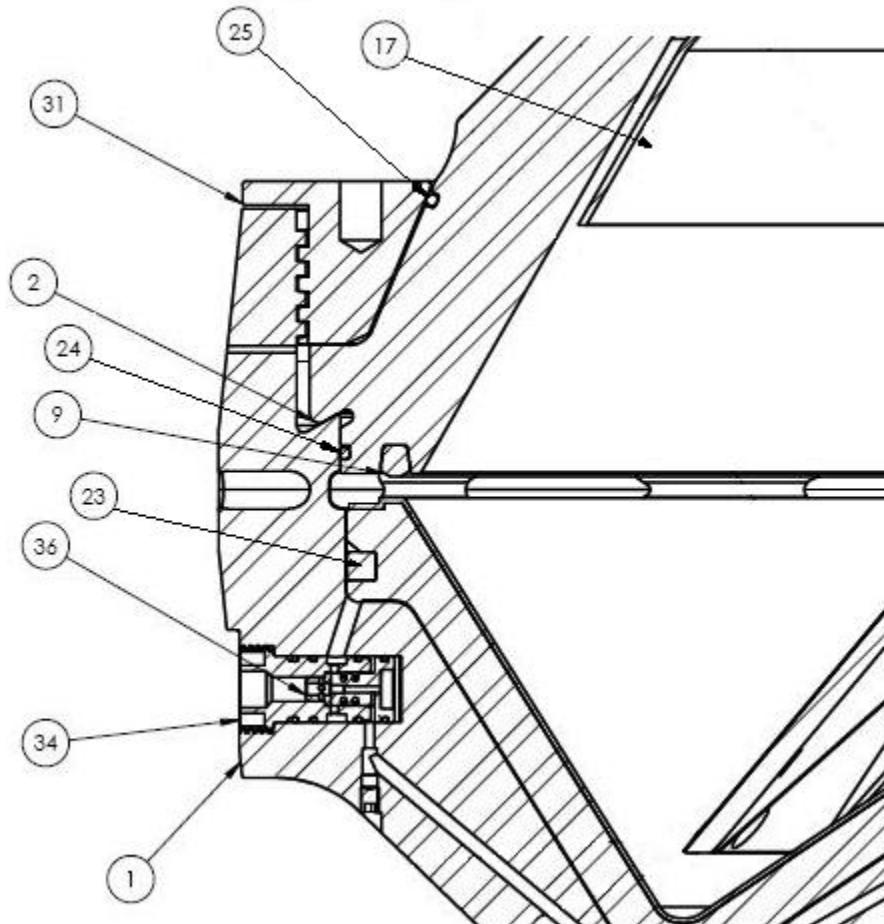
3.1.1 BOWL Inlet and outlet

Item	Part number	Description	Quantity
3	71005	Pump Chamber	1
10	71023	Chamber cover lock ring	1
26	71066	O-ring	2
27	71068	O-ring	1
32	71073	O-ring	1
40	71007	Pump impellor	1
42	71008	Feed tube	1
43	71058	Gravity spacer disc	1
44	71009	Chamber cover	1
49	71080	O-ring	1



3.1.2 BOWL bottom

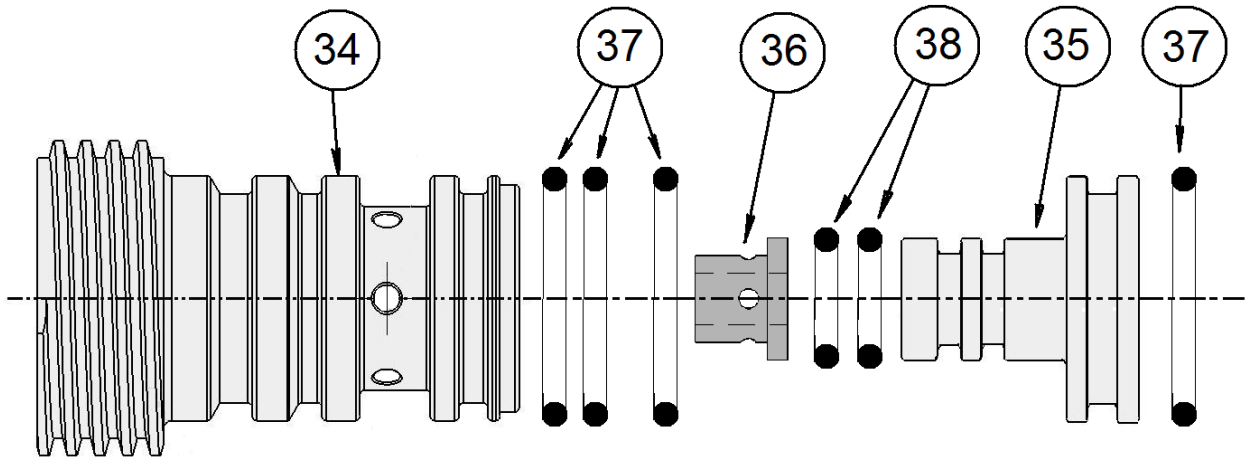
Item	Part number	Description	Quantity
4	71001	Piston	1
6	71016	Distributor	1
20	71062	O-ring	1
21	71060	O-ring	1
22	71061	O-ring	1
28	71069	O-ring	1
29	71070	O-ring	1
30	71071	O-ring	1
33	71015	Operating water insert	1
39	71072	O-ring	1
47	71053	Set screw	6
48	71027	Spindle nut	1
49	71017	Bolt	4
50	71016	Set screw	6
51	71018	Disc	195



3.1.3 BOWL Sealing and Coupling

Item	Part number	Description	Quantity
1	71000	Bowl body	1
2	71002	Bowl top	1
9	71019	Seal ring	1
17	71003	Top disc	1
23	71063	Quad ring	1
24	71064	O-ring	1
31	71022	Coupling ring	1
34	71011	Shoot control valve body	1

3.1.4 Bowl Valve

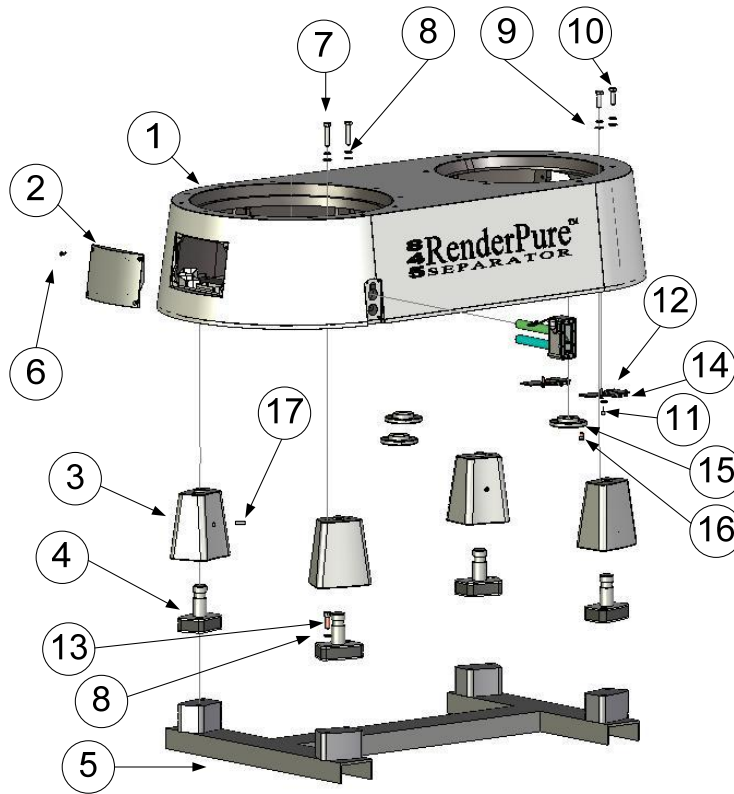


3.1.4 BOWL Shoot control valve

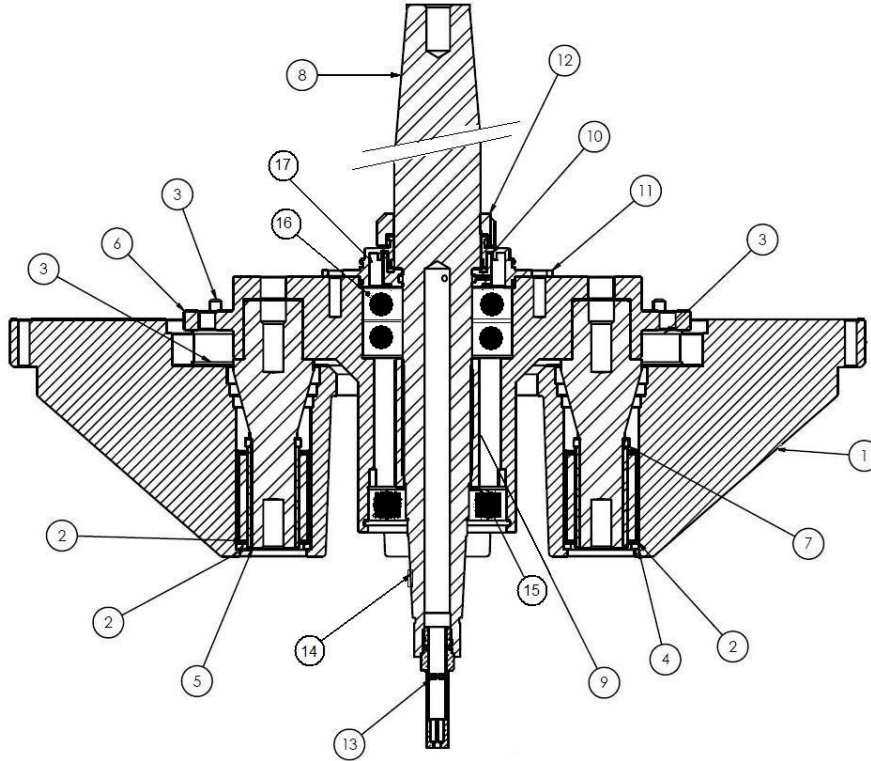
Item	Part number	Description	Quantity
34	71011	Shoot control valve body	2
35	71012	Shoot control valve piston	2
36	71079	Shoot control valve insert	2
37	71077	O-ring	8
38	71078	O-ring	4

The shoot control valve is available as a complete assembly.
 Part Number; 71013
 2 are required per bowl.

3.2.1 Base



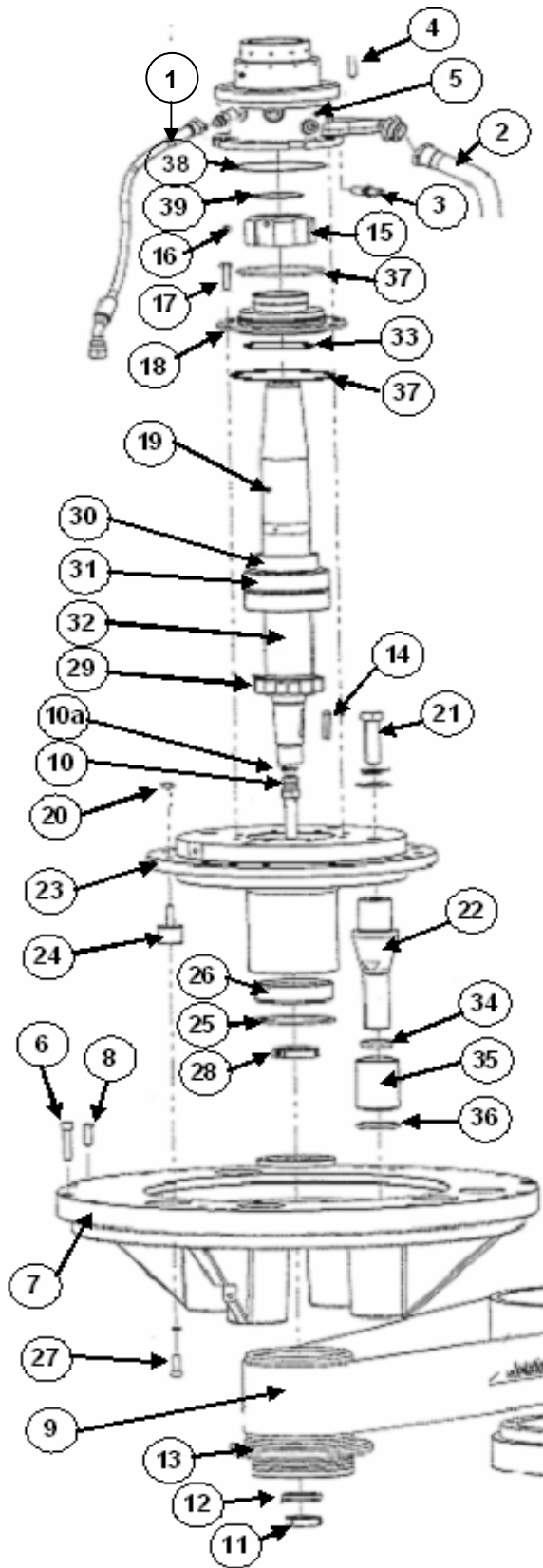
Position	Part number	Description	Quantity
1	70002	BASE	1
2	70167	FRONT ACCESS DOOR	1
3	70085	FOOT	4
4	70087	RUBBER FOOT ISOLATOR	4
5	70123	CAST-IN PLATE	1
6	70289	CAPSCREW	4
7	70327	BOLT	4
8	70319	SPRING WASHER	16
9	70359	FLAT WASHER	8
10	70326	BOLT	4
11	70324	BOLT	12
12	70330	HINGE	2
13	71200	CAPSCREW	8
14	70316	SPRING WASHER	12
15	70170	ACCESS CAP	3
16	70344	CAPSCREW	18
17	70366	SET SCREW	4



3.2.2 Spindle Pack

Item	Part number	Description	Quantity
1	70043	Support plate	1
2	70054	Torsional isolator	4
3	70057	Shock absorber	12
4	70060	Spacer Ring	4
5	70061	Torsion bolt	4
6	70045	Bearing Housing	1
7	70062	Securing ring	4
8	70046	Spindle	1
9	70047	Bearing spacer	1
10	70048	Oil ring spacer	1
11	70049	Labyrinth cover	1
12	70050	Labyrinth seal	1
13	70052	Suction pipe	1
14	71096	Spindle Key	1
15	46754F	Roller Bearing	1
16	46847	Ball bearing	2
17	5793	Seal	1

3.2.2 Spindle Pack

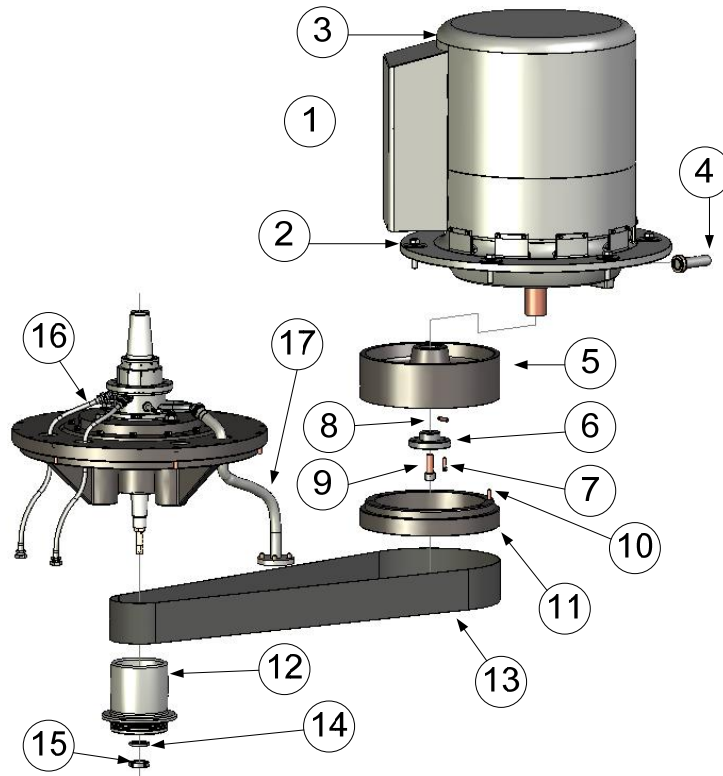


Item	Part number	Description	Quantity
1	70081	W.O.D. Hose	2
2	70169	Drain Hose	1
3	71201	Prox. Switch	1
4	70256	M12 x 45 Bolt	4
5	70039	Base (see W.O.D.)	1
6	70284	Bolt	6
7	70043	Support Base	1
8	70314	Set Screw	4
9	71006	Drive Belt	1
10	70052	Suction Tube	1
10a	70373	O-Ring	1
11	70268	Lock Nut	1
12	70136	Spacer	1
13	70064	Spindle Pulley	1
14	71096	Key	1
15	70050	Labyrinth seal	1
16	70039	Set Screw	1
17	70253	Bolt	4
18	70049	Labyrinth cover	1
19	70046	Spindle	1
20	70297	Nut	12
21	70278	Bolt	4
22	70061	Torsion Pin	4
23	70045	Bearing Housing	1
24	70057	Shock Absorber	12
25	70296	Snap Ring	1
26	46754F	Roller Bearing	1
27	70342	Cap Screw	12
28	70198	Lock Nut	1
29	(see # 26)		
30	70048	Oil Spacer	1
31	46847	Thrust Bearing	2
32	70047	Spacer	1
33	5793	Seal	1
34	70060	Upper Ring	4
35	70054	Torsion Isolator	4
36	70062	Lower Ring	4
37	70305	O-Ring	2
38	70299	O-Ring	1
39	70302	O-Ring	1

Hutchison Hayes Separation Inc.
 3520 East Belt Houston,
 Texas 77015, USA
 Phone 713 455 9600

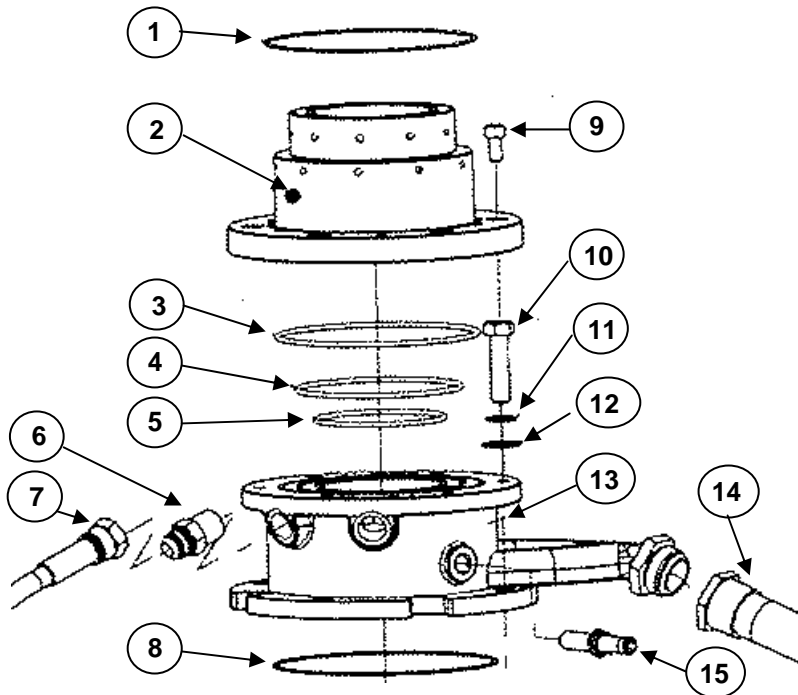
RenderPure parts manual
 May 11, 2009
 page 9

Drive 3.2.3



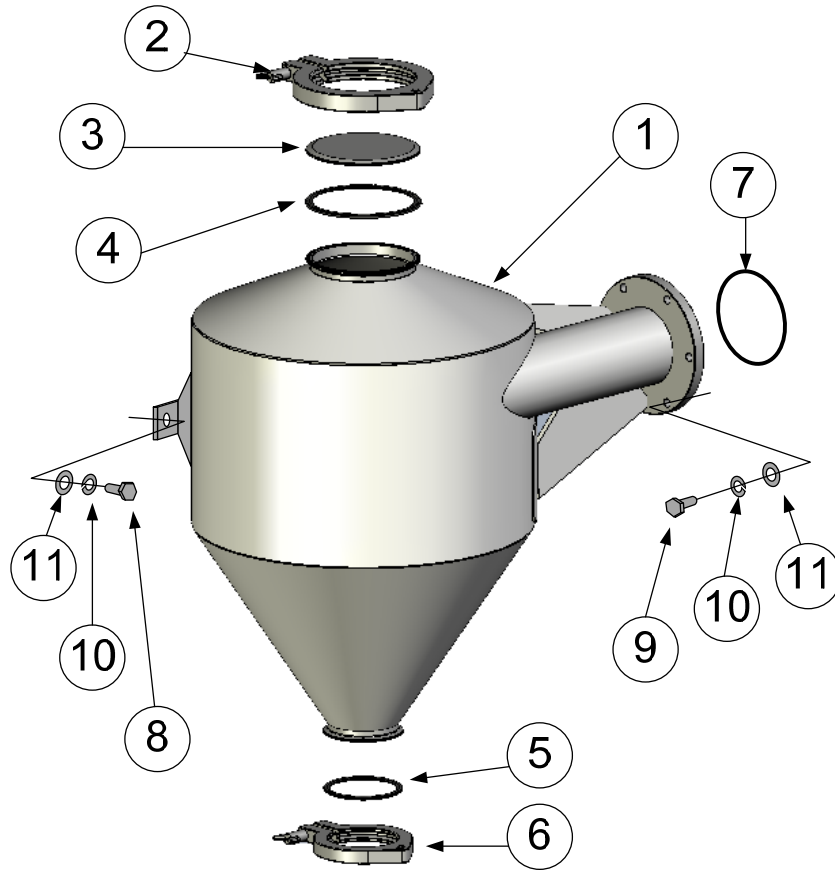
Position	Part number	Description	Quantity
1	71038	MOTOR 75HP C FACE 480V 1750TEFC	1
2	70094	MOTOR MOUNT FLANGE	1
3	70095	MOTOR COVER	1
4	70099	MOTOR ADJUSTER SCREW	1
5	70102	MOTOR PULLEY	1
6	70105	MOTOR PULLEY DOG	1
7	70356	CAPSCREW	8
8	70365	SET SCREW	2
9	70349	CAPSCREW	1
10	70347	CAPSCREW	10
11	70104	BRAKE RING	1
12	70064	MAIN SPINDLE PULLEY	1
13	71006	DRIVE BELT	1
14	70136	SPINDLE PULLEY WASHER	1
15	70268	LOCK NUT	1
16	70081	WOD HOSE	2
17	70169	DRAINHOSE	1

W.O.D. 3.2.4



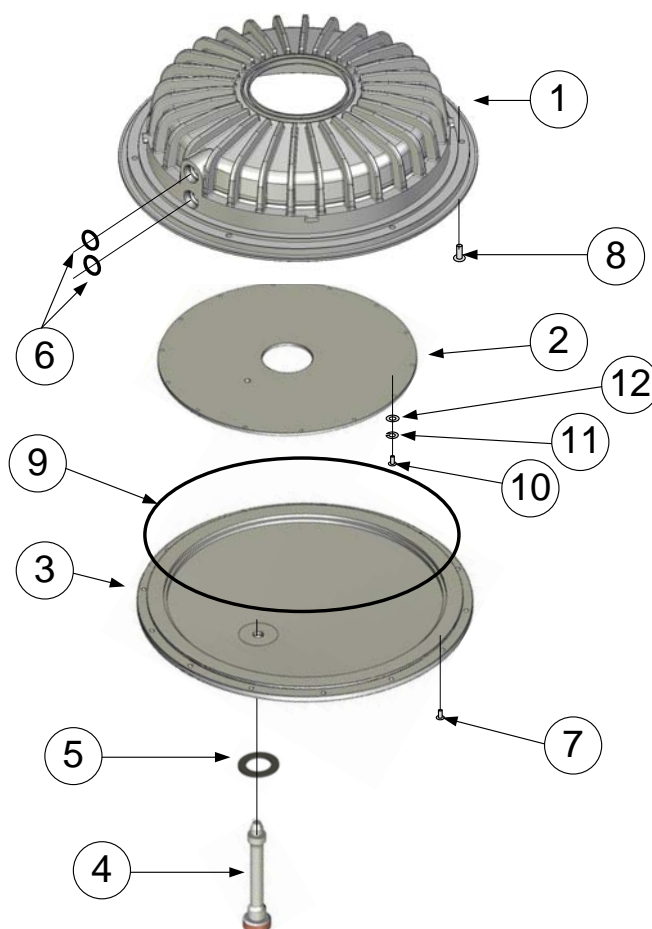
Position	Part number	Description	Quantity
1	70299	O-Ring	1
2	70040	Top Part	1
3	70299	O-Ring	1
4	70304	O-Ring	1
5	70309	O-Ring	1
6	70375	JIC Fitting	2
7	70081	W.O.D. Hose	2
8	70299	O-Ring	1
9	70289	Cap Screw	6
10	70256	Bolt	4
11	70317	Lock Washer	4
12	70291	Flat Washer	4
13	70039	Bottom Part (Base)	1
14	70169	Drain Hose	1
15	71201	Prox. Switch (R.P.M.)	1

Cyclone 3.2.5



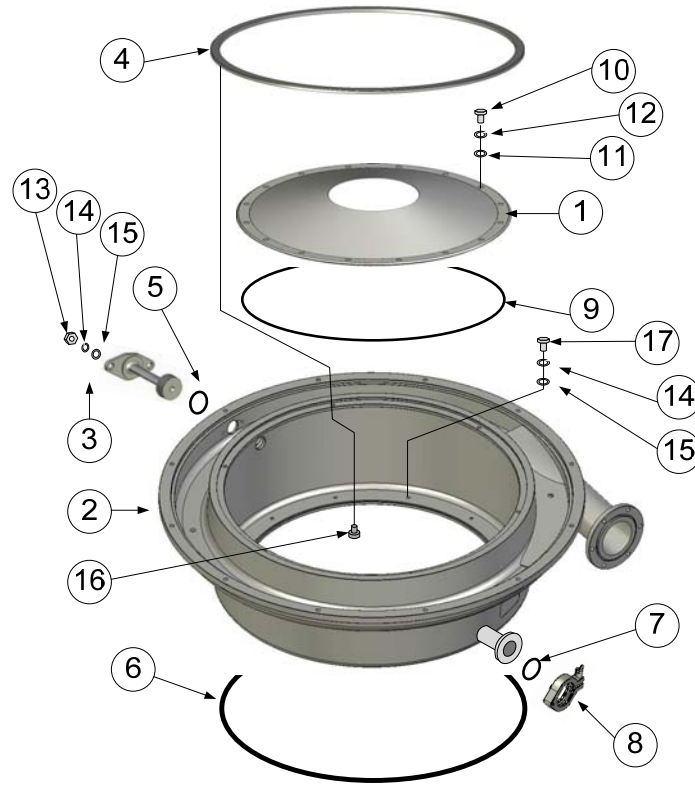
Position	Part number	Description	Quantity
1	70125	CYCLONE	1
2	70273	6" TRI CLAMP	1
3	70276	6" SOLID END CAP	1
4	70275	6" GASKET	1
5	70263	4" GASKET	1
6	70264	4" TRI CLAMP	1
7	70310	O-RING	1
8	70254	M12 BOLT	2
9	70255	M12 BOLT	6
10	70317	SPRING WASHER	8
11	70291	WASHER	8

Sump 3.2.6



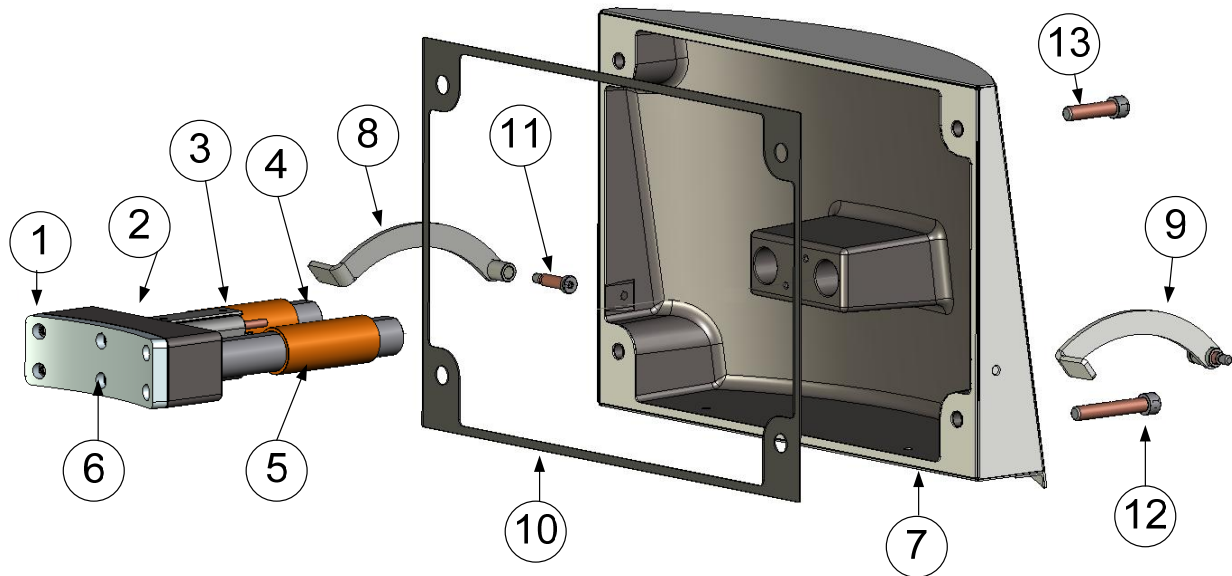
Position	Part number	Description	Quantity
1	70066	SUMP	1
2	70067	SUMP TRAY	1
3	70071	SUMP COVER PLATE	1
4	70069	SUMP BUNG	1
5	70134	SUMP BUNG GASKET	1
6	70307	O-RING	2
7	70370	CAPSCREW	14
8	70281	CAPSCREW	6
9	70265	SUMP SEAL	1
10	70287	CAPSCREW	14
11	70321	SPRING WASHER	14
12	70360	FLAT WASHER	14

Solids collector 3.2.7



Position	Part number	Description	Quantity
1	70035	SPINDLE PACK COVER SHEATH	1
2	70010	SOLIDS COLLECTOR BOWL	1
3	70116	ACCESS BUNG	1
4	70115	BUMP RING	1
5	70308	O-RING	3
6	70271	PANEL GASKET	1
7	70261	2" GASKET	1
8	70260	2" TRI CLAMP	1
9	70312	O-RING	1
10	70258	M14 BOLT	16
11	70292	WASHER	16
12	70318	SPRING WASHER	16
13	70297	NUT M10	2
14	70316	SPRING WASHER	14
15	70290	WASHER	14
16	70280	CAPSCREW	6
17	70252	BOLT	12

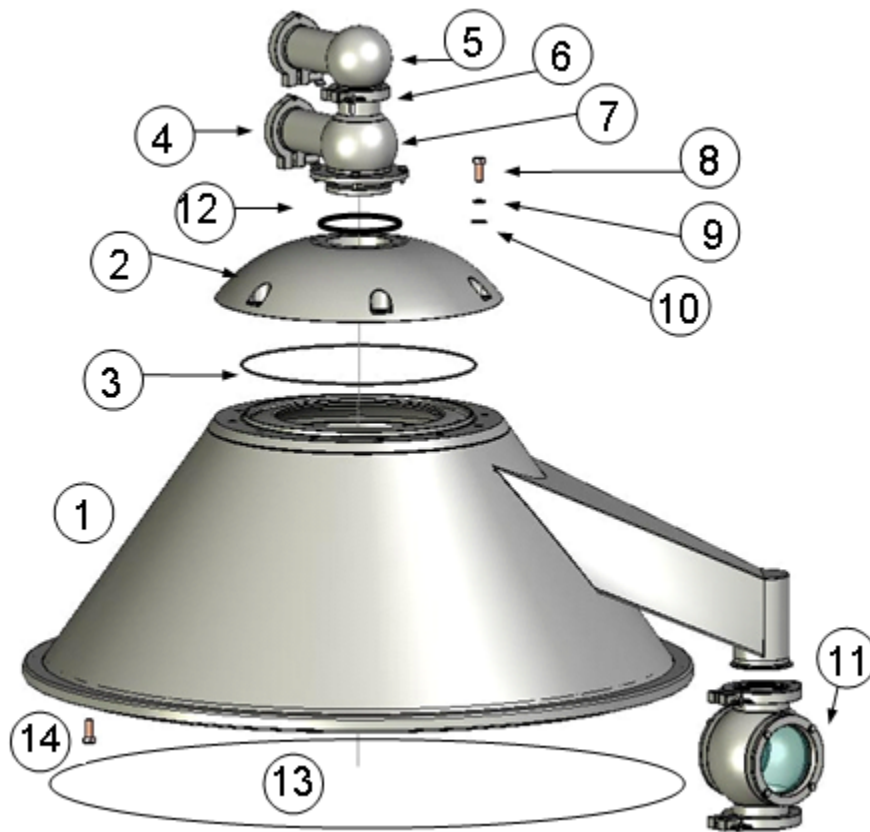
Access Door and Brake 3.2.8



Position	Part number	Description	Quantity
1	70112	BRAKE PAD	1
2	70113	BRAKE PAD CRADLE	1
3	70329	BRAKE CYLINDER	1
4	70110	BRAKE GUIDE SHAFT	2
5	70111	BRAKE GUIDE BUSH	2
6	70341	BOLT	2
7	70005	ACCESS DOOR	1
8	70121	ACCESS DOOR STAY-RIGHT	1
9	70122	ACCESS DOOR STAY-LEFT	1
10	70130	ACCESS DOOR GASKET	1
11	70367	SHOULDER BOLT	2
12	70346	CAPSCREW	2
13	70284	CAPSCREW	2

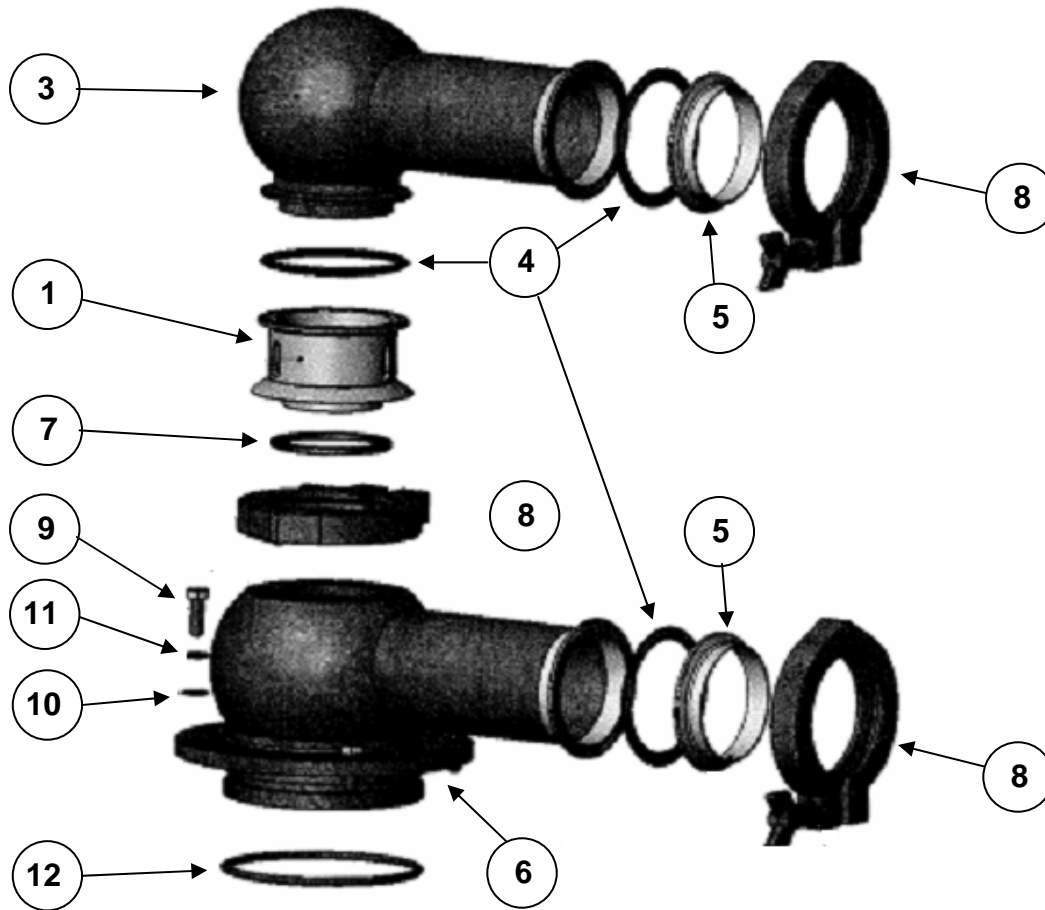
HOOD

3.2.8



Position	Part number	Description	Quantity
1	70019	HOOD	1
2	70026	FEED & DISCHARGE CONNECTION	1
3	70251	MEDIUM HOOD O-RING	1
4	70270	3" TRI CLAMP	2
5	70031	INFEED JUNCTION	1
6	70029	INFEED PIPE NUT	1
7	70027	DISCHARGE COUPLING	1
8	70257	M14 BOLT	6
9	70318	SPRING WASHER	6
10	70292	WASHER	6
11	70272	TALLOW SIGHT GLASS	1
12	70313	SMALL HOOD O-RING	1
13	71084	LARGE HOOD O-RING	1
14	70254	HOOD BOLTS	12

INLET OUTLET ASSEMBLY 3.2.10

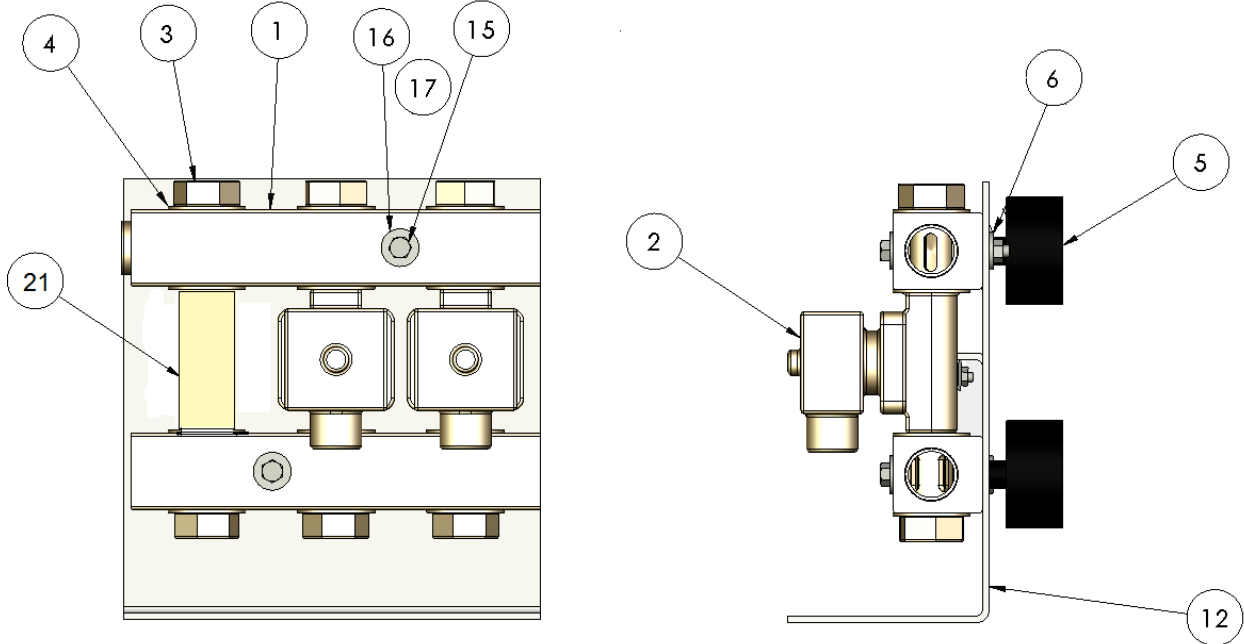


Position	Part number	Description	Quantity
1	70029	INLET FEED NUT	1
3	70031	INFEED JUNCTION	1
4	70274	3" GASKET	3
5	70269	3" WELDING FERRULE	3
6	70027	DISCHARGE COUPLING	1
7	10241	INFEED SEAL RING	1
8	70270	3" TRI-CLAMP	3
9	70279	M8 BOLT	4
10	70362	M8 FLAT WASHER	4
11	70322	M8 LOCK WASHER	4
12	70313	SMALL HOOD O-RING	1

Operating water assembly

3.2.11

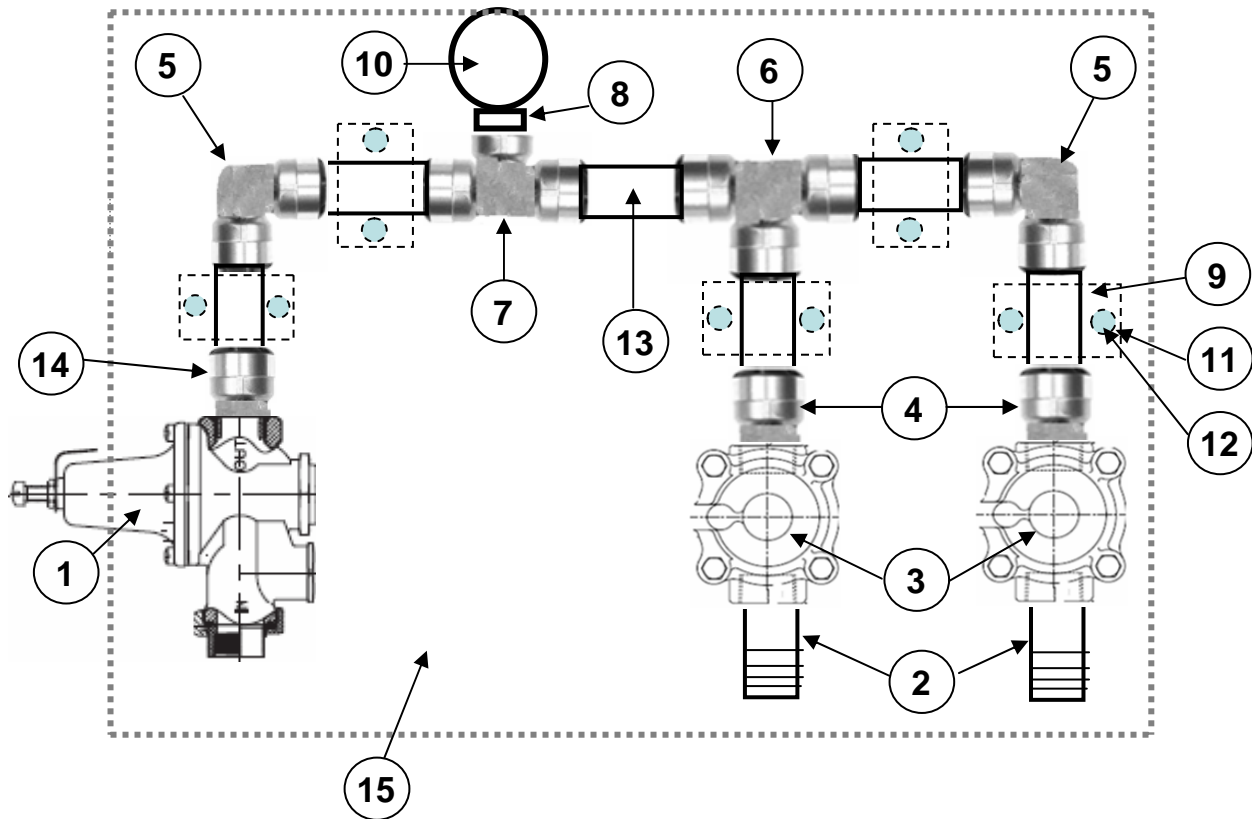
VERSION 1



Item	Part number	Description	Quantity
	71037	Water Harness complete	1
1	71040	Manifold	2
2	71041	Solenoid	2
3	71042	Banjo bolt	6
4	71043	Sealing washer	12
5	71044	Gauge	2
6	71051	Plug	2
12	71049	Manifold mounting Plate	1
15	71224	Bolt	2
16	71225	washer	4
17	71226	Nut	2
21	71036	Blank spool	1

Operation Water Assembly

VERSION 2



Position	Part Number	Description	Quantity
1	9953	10 – 40 p.s.i. Regulator ¾"	1
2	71190	¾ x ½ npt hose barb	2
3	71041	Solenoid Valve ½"	2
4	99746	½ x ½ npt coupling (Cxnpt)	2
5	99748	½ Elbow (CxC)	2
6	99749	Tee ½ x ½ x ½ (CxCxC)	1
7	99750	Tee ½ x ½ x ½ npt (CxCxnpt)	1
8	71189	Bushing ½ x ¼	1
9	99755	Support	5
10	9951NS	0 – 100 p.s.i. Gauge	1
11	99756	Stand Offs	10
12	99757	Bolts ¼ x 20 X 3	10
13	99762	Copper Tubing	6
14	99747	½ x ¾ npt coupling (Cxnpt)	1
15	71029	Back Plate	1
Not Shown	99765	Repair Kit	1
Not Shown	99766	Wrench	1

3.3 TOOLS

